



US00D632706S

(12) **United States Design Patent**
Hattori

(10) **Patent No.:** **US D632,706 S**

(45) **Date of Patent:** **** Feb. 15, 2011**

(54) **SEWING MACHINE**

D555,176 S * 11/2007 Ogawa D15/69
D563,996 S * 3/2008 Lin D15/69

(75) Inventor: **Mitsuharu Hattori**, Nagoya (JP)

* cited by examiner

(73) Assignee: **Brother Industries, Ltd.**, Nagoya (JP)

Primary Examiner—Shanda C Hill

(**) Term: **14 Years**

(74) *Attorney, Agent, or Firm*—Oliff & Berridge, PLC

(21) Appl. No.: **29/367,671**

(57) **CLAIM**

(22) Filed: **Aug. 11, 2010**

The ornamental design for a sewing machine, as shown and described.

(30) **Foreign Application Priority Data**

DESCRIPTION

Mar. 5, 2010 (JP) 2010-005413

(51) **LOC (9) Cl.** **15-06**

(52) **U.S. Cl.** **D15/69**

(58) **Field of Classification Search** D15/66,
D15/69, 70; 112/2, 63, 78, 154, 217.1–217.4,
112/475.01

See application file for complete search history.

FIG. 1 is a perspective view of a sewing machine showing my new design;

FIG. 2 is a front view thereof;

FIG. 3 is a top view thereof;

FIG. 4 is a right-side view thereof;

FIG. 5 is a left-side view thereof;

FIG. 6 is a rear view thereof;

FIG. 7 is a bottom view thereof; and,

FIG. 8 is another perspective view thereof.

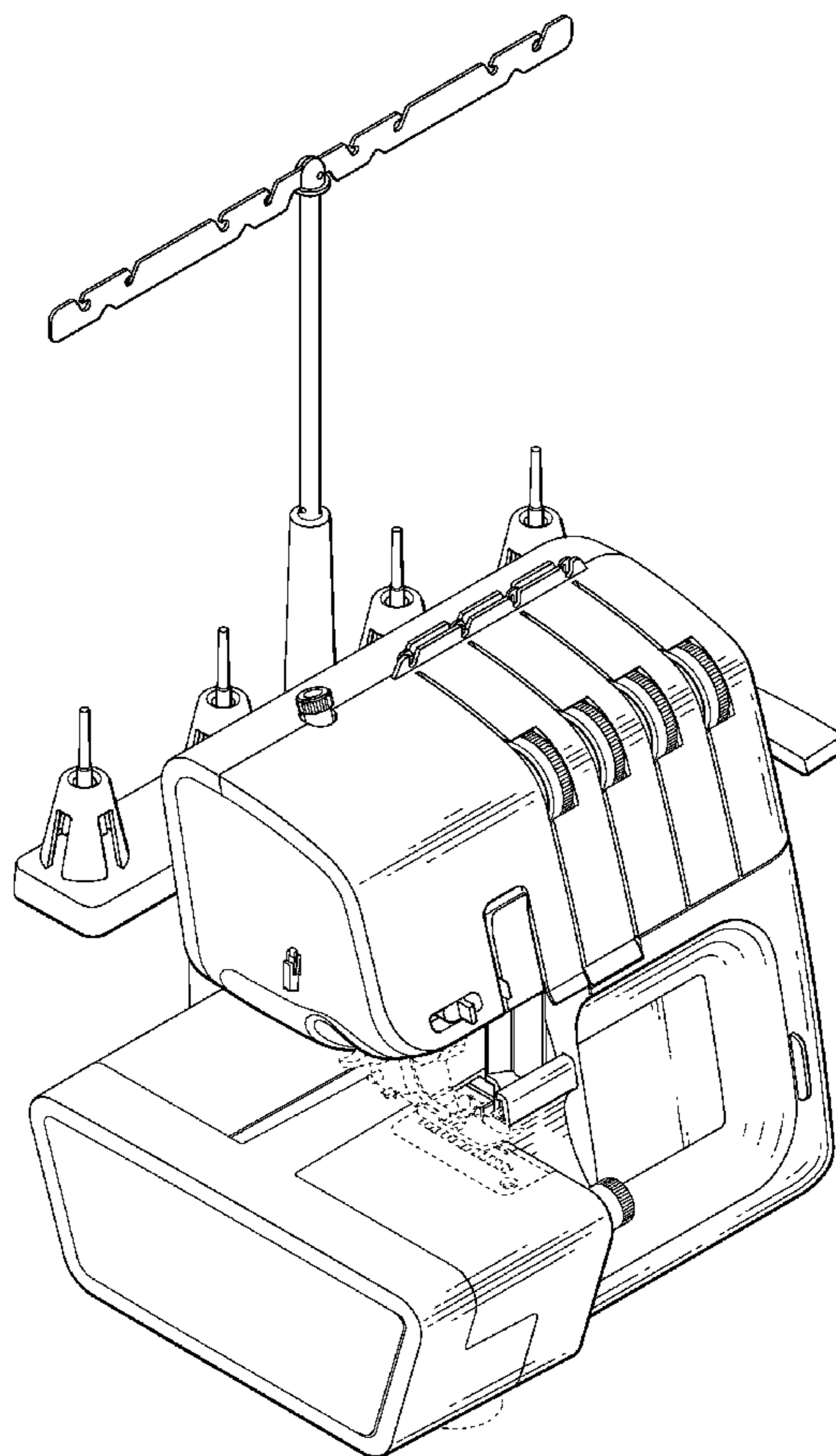
The broken lines depict environmental subject matter only and form no part of the claimed design.

(56) **References Cited**

U.S. PATENT DOCUMENTS

D521,027 S * 5/2006 Hosoi D15/66
D521,533 S * 5/2006 Sanchez D15/69
D524,828 S * 7/2006 Kuroki D15/69
D553,650 S * 10/2007 Muto D15/69

1 Claim, 8 Drawing Sheets



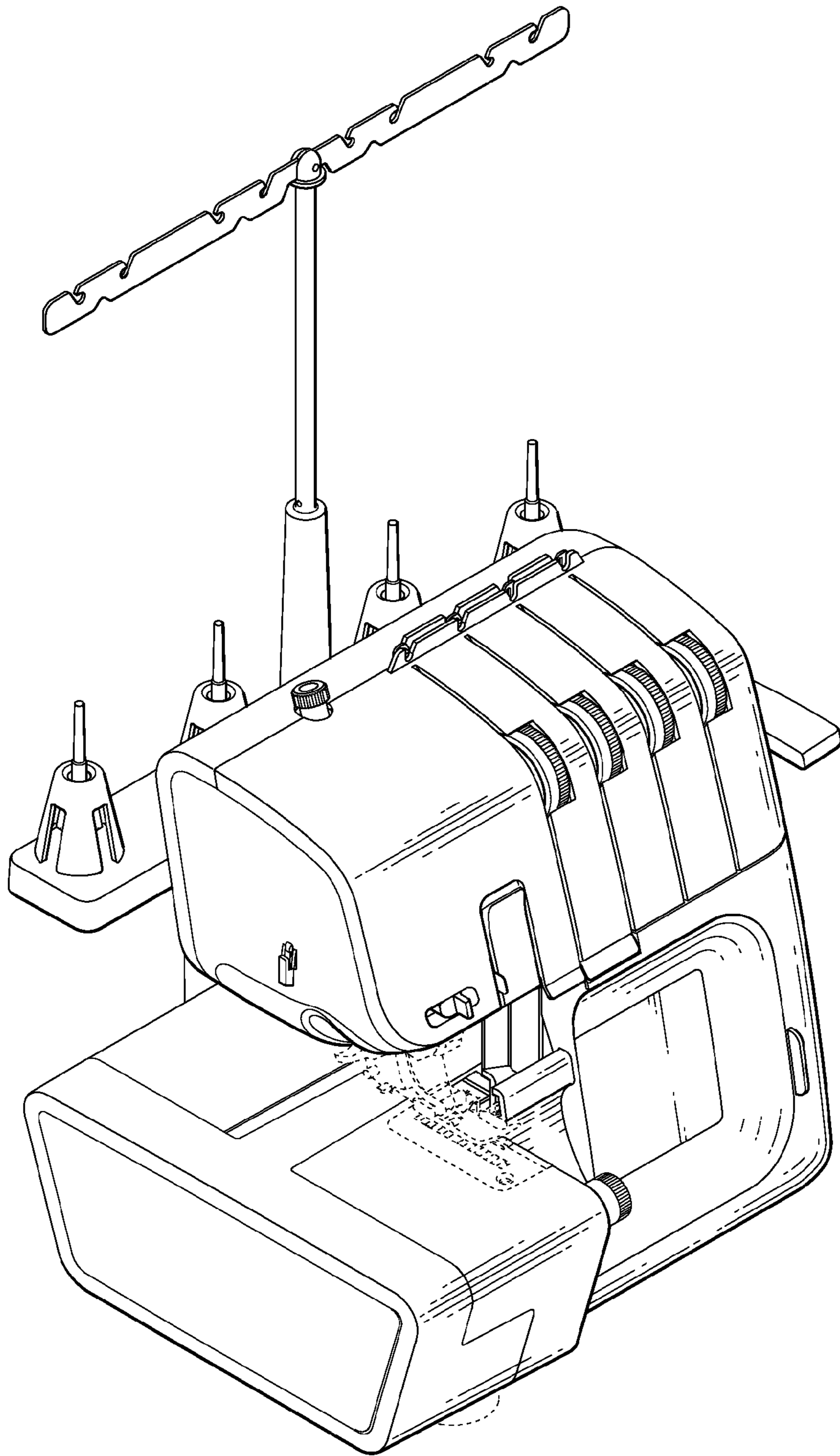


FIG. 1

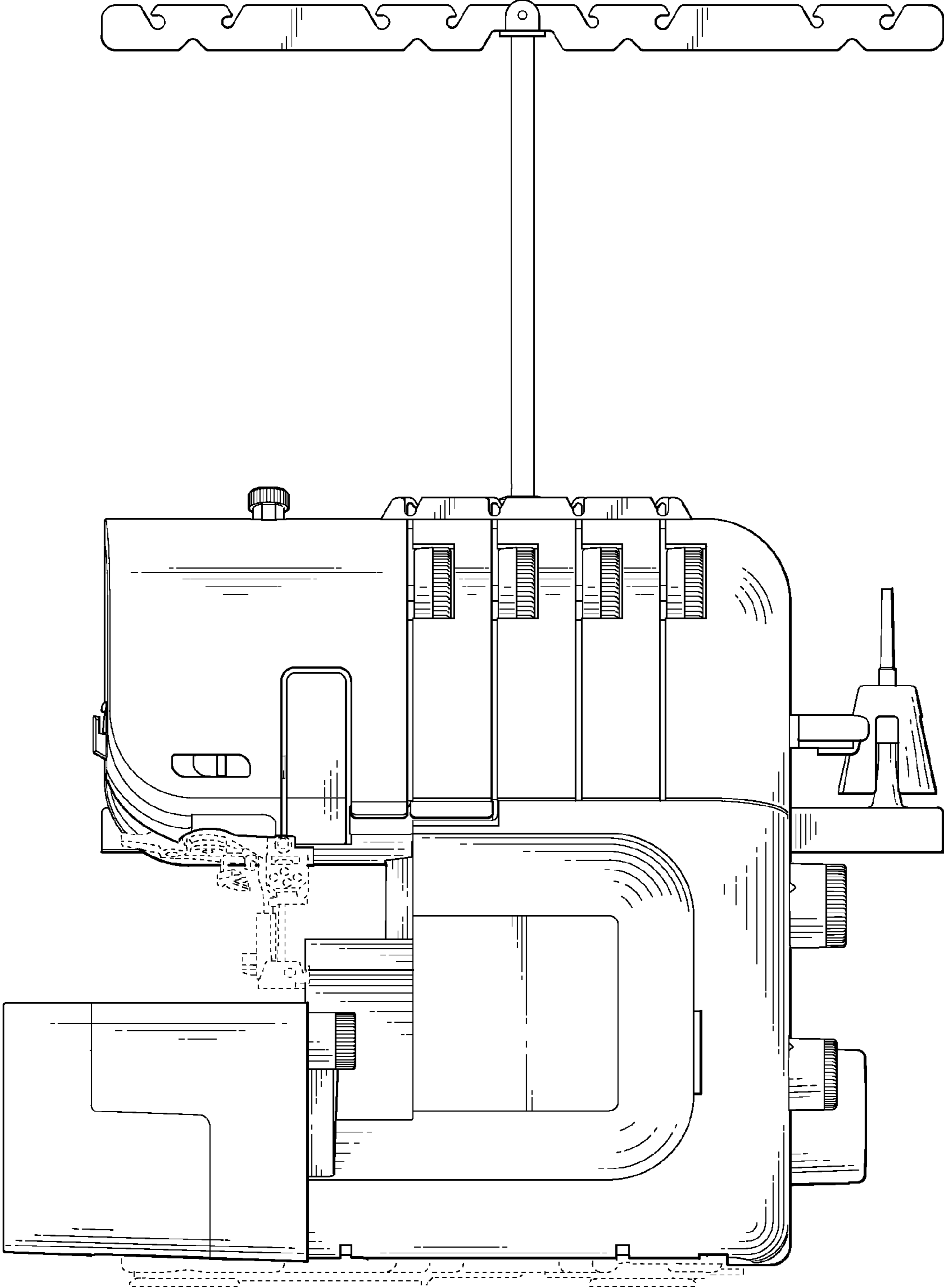


FIG. 2

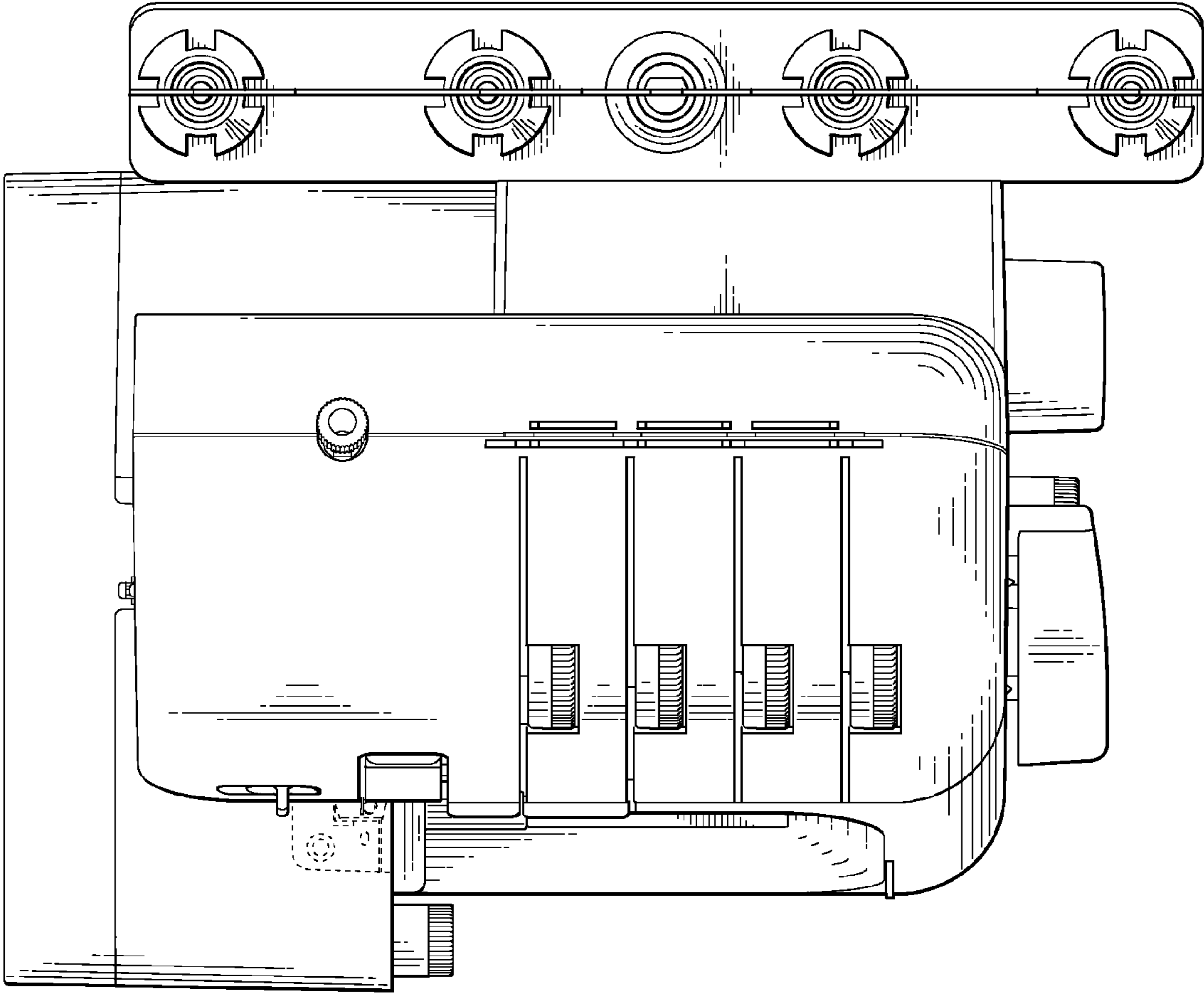


FIG. 3

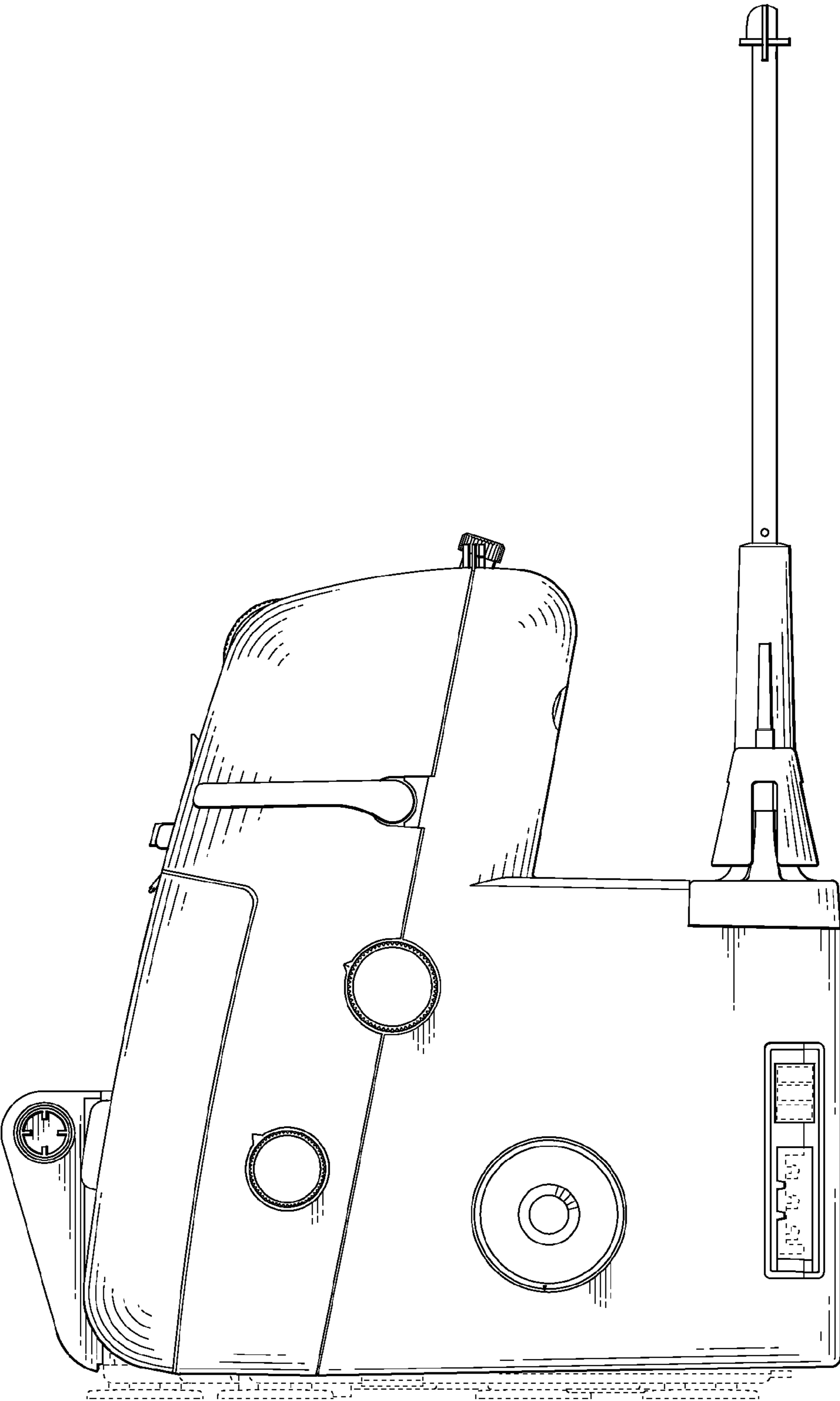


FIG. 4

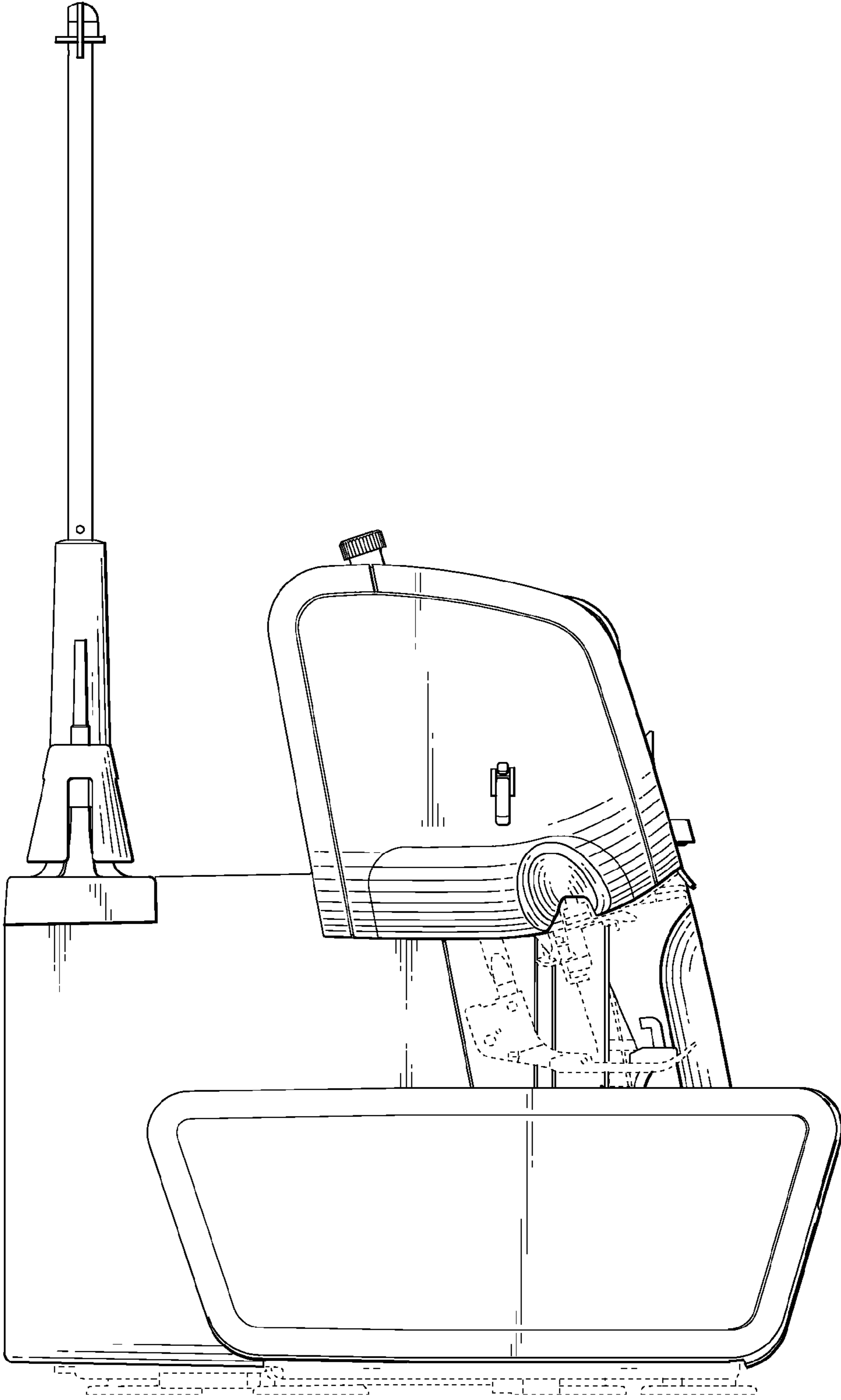


FIG. 5

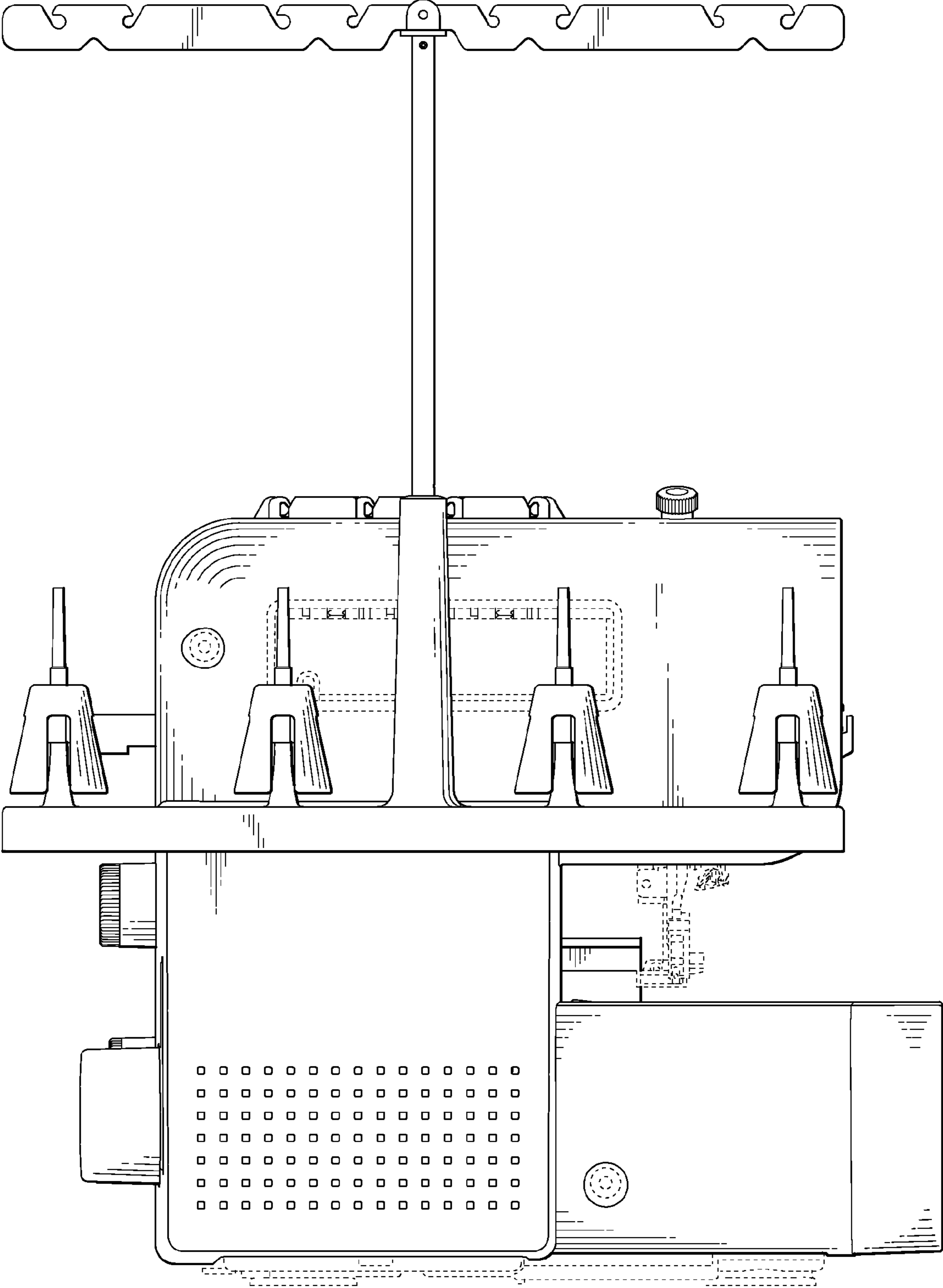


FIG. 6

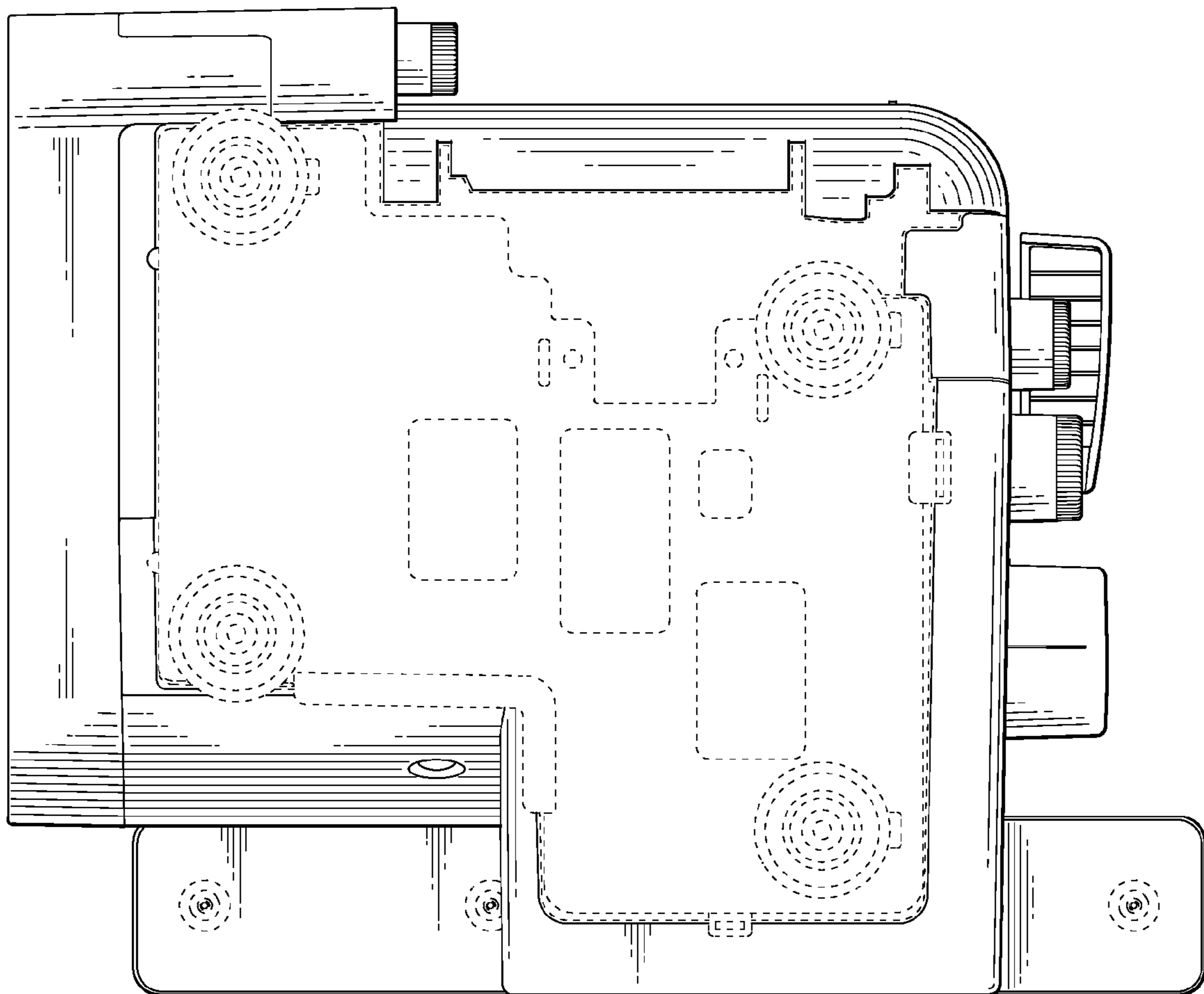


FIG. 7

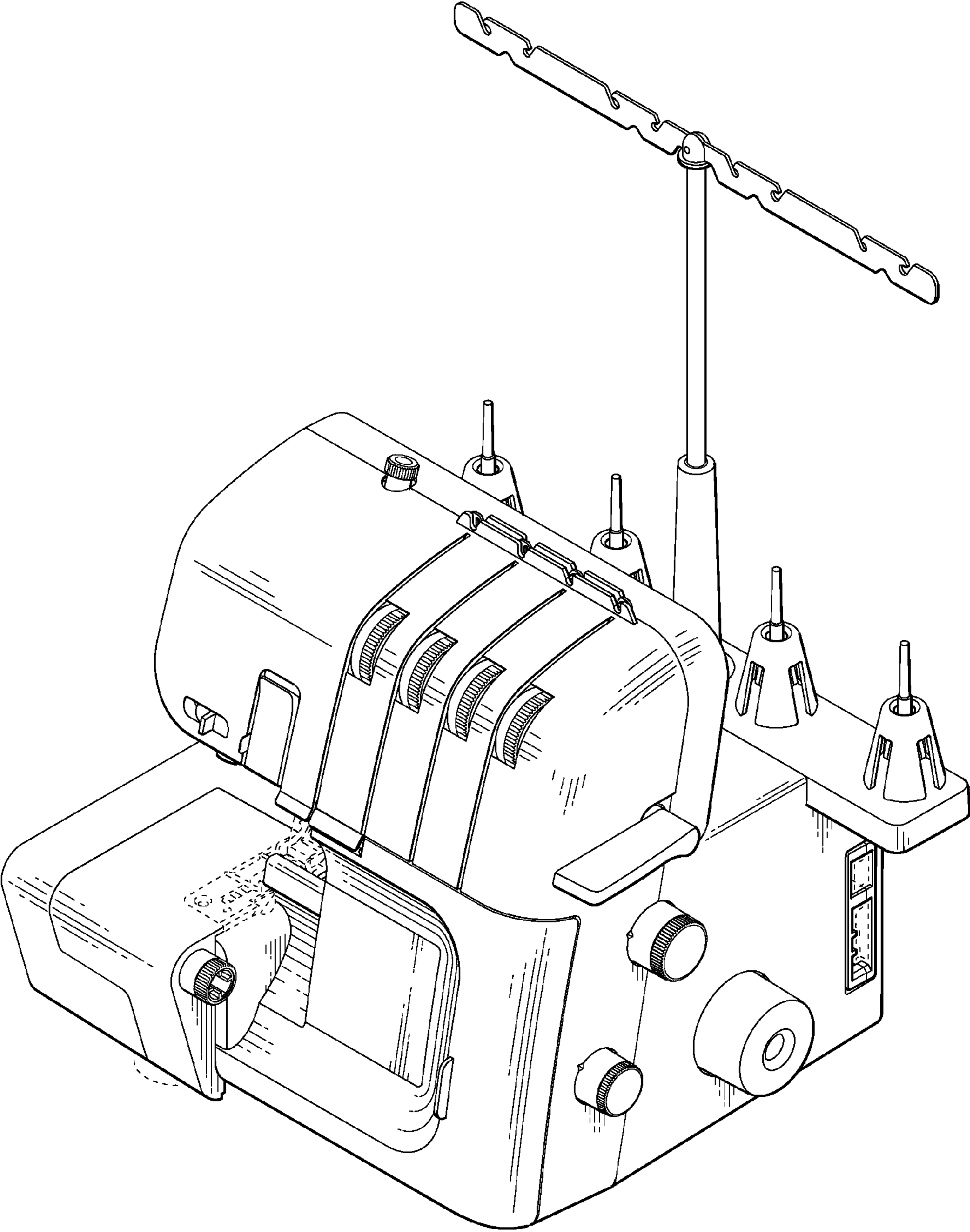


FIG. 8