



US00D632703S

(12) **United States Design Patent**
Buhr et al.

(10) **Patent No.:** **US D632,703 S**

(45) **Date of Patent:** **** *Feb. 15, 2011**

(54) **KICKER PLATE**

(75) Inventors: **Karsten Buhr**, Willroth (DE); **Stefan Abresch**, Dierdorf (DE); **Thomas Lehnert**, Oberraden (DE); **Guenter Haehn**, Konigswinter (DE); **Cyrus Barimani**, Koenigswinter (DE)

(73) Assignee: **Wirtgen GmbH** (DE)

(*) Notice: This patent is subject to a terminal disclaimer.

(**) Term: **14 Years**

(21) Appl. No.: **29/358,065**

(22) Filed: **Mar. 22, 2010**

(30) **Foreign Application Priority Data**

Jan. 7, 2010 (EM) 001654567

(51) **LOC (9) Cl.** **15-03**

(52) **U.S. Cl.** **D15/28; D15/21**

(58) **Field of Classification Search** D15/19, D15/20, 21, 22, 28, 29; 404/90, 112; 299/64, 299/39.1-39.6, 95, 79.1, 106, 108, 87.1
See application file for complete search history.

(56) **References Cited**

U.S. PATENT DOCUMENTS

- 3,156,170 A * 11/1964 Behrens et al. 404/101
- 3,554,606 A * 1/1971 Mabey et al. 299/39.4
- 4,041,623 A * 8/1977 Miller et al. 37/382
- 4,186,968 A * 2/1980 Barton 299/39.2
- 4,660,890 A * 4/1987 Mills 299/104
- 4,723,867 A * 2/1988 Wirtgen 404/90
- 4,818,027 A 4/1989 Simon
- 5,120,112 A * 6/1992 Kincaid 299/67
- 5,354,147 A * 10/1994 Swisher, Jr. 299/39.6
- 5,536,073 A * 7/1996 Sulosky et al. 299/39.8
- 5,645,323 A * 7/1997 Beach 299/111
- 5,647,641 A * 7/1997 Sulosky et al. 299/39.8
- 5,893,677 A * 4/1999 Haehn et al. 404/90

- 6,213,560 B1 * 4/2001 Lindblom 299/39.4
- 6,478,383 B1 * 11/2002 Ojanen et al. 299/104
- 6,547,484 B2 * 4/2003 Murphy 404/124
- 6,619,756 B1 * 9/2003 Holl et al. 299/85.2
- 6,644,755 B1 * 11/2003 Kammerer 299/104
- 6,764,140 B2 * 7/2004 Carson et al. 299/79.1
- 6,962,395 B2 * 11/2005 Mouthaan 299/104
- 7,300,115 B2 * 11/2007 Holl et al. 299/106
- D559,279 S * 1/2008 Sakitani et al. D15/28
- 7,338,134 B2 * 3/2008 Latham 299/87.1
- 7,370,916 B2 * 5/2008 Ley et al. 299/39.2
- D591,776 S * 5/2009 Rasset et al. D15/28
- 2003/0184145 A1 * 10/2003 Carson et al. 299/79.1
- 2004/0051369 A1 * 3/2004 Luciano 299/87.1
- 2004/0145232 A1 * 7/2004 Sansone et al. 299/39.8
- 2005/0077776 A1 * 4/2005 Hansen et al. 299/39.8

(Continued)

FOREIGN PATENT DOCUMENTS

DE 3701905 C1 9/1988

(Continued)

Primary Examiner—Mark A Goodwin
(74) *Attorney, Agent, or Firm*—Waddey & Patterson, P.C.;
Lucian Wayne Beavers

(57) **CLAIM**

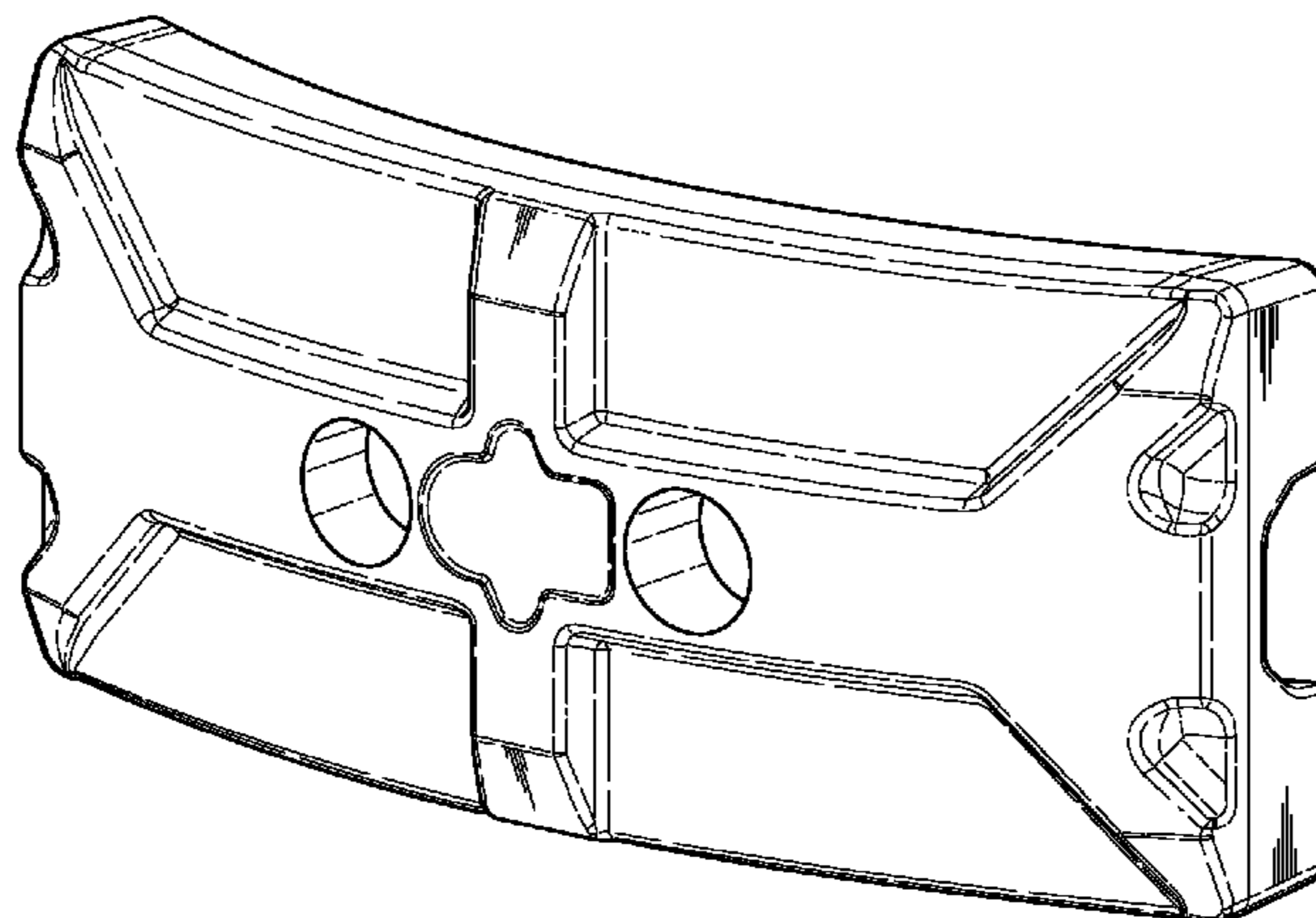
What is claimed is the ornamental design for a kicker plate, as shown and described.

DESCRIPTION

The FIGURE is a rear perspective view of a kicker plate showing our new design.

The views of the kicker plate not shown form no part of the claimed design.

1 Claim, 1 Drawing Sheet



US D632,703 S

Page 2

U.S. PATENT DOCUMENTS

2008/0036271 A1* 2/2008 Hall et al. 299/87.1
2009/0035064 A1* 2/2009 Holl et al. 404/90
2009/0185859 A1* 7/2009 Haroldsen 404/90
2009/0289493 A1* 11/2009 Holl et al. 299/102

FOREIGN PATENT DOCUMENTS

JP 8003919 A 1/1996

* cited by examiner

