

US00D632702S

(12) **United States Design Patent**  
**Gruber**

(10) **Patent No.:** **US D632,702 S**

(45) **Date of Patent:** **\*\* Feb. 15, 2011**

(54) **HOUSING FOR COMPRESSOR**

\* cited by examiner

(75) Inventor: **Scott Gruber**, Long Beach, NY (US)

*Primary Examiner*—Ralf Seifert

(73) Assignee: **Air Force Enterprises, Inc.**, Oceanside, NY (US)

(57) **CLAIM**

A housing for a compressor, as shown and described.

(\*\*) Term: **14 Years**

**DESCRIPTION**

(21) Appl. No.: **29/370,918**

FIG. 1 is a top-right perspective view of a housing for a compressor showing my new design;

(22) Filed: **Sep. 22, 2010**

FIG. 2 is an end view a housing for a compressor shown in FIG. 1;

(51) **LOC (9) Cl.** ..... **15-02**

(52) **U.S. Cl.** ..... **D15/7**

(58) **Field of Classification Search** ..... D15/7-9;  
D23/231, 232, 225; 417/410.1, 359, 415-416,  
417/234, 321, 265, 405

FIG. 3 is an opposite end view of a housing for a compressor shown in FIG. 2;

FIG. 4 is a top view of a housing for a compressor as shown in FIG. 1;

See application file for complete search history.

FIG. 5 is a side view of a housing for a compressor shown in FIG. 1; and,

(56) **References Cited**

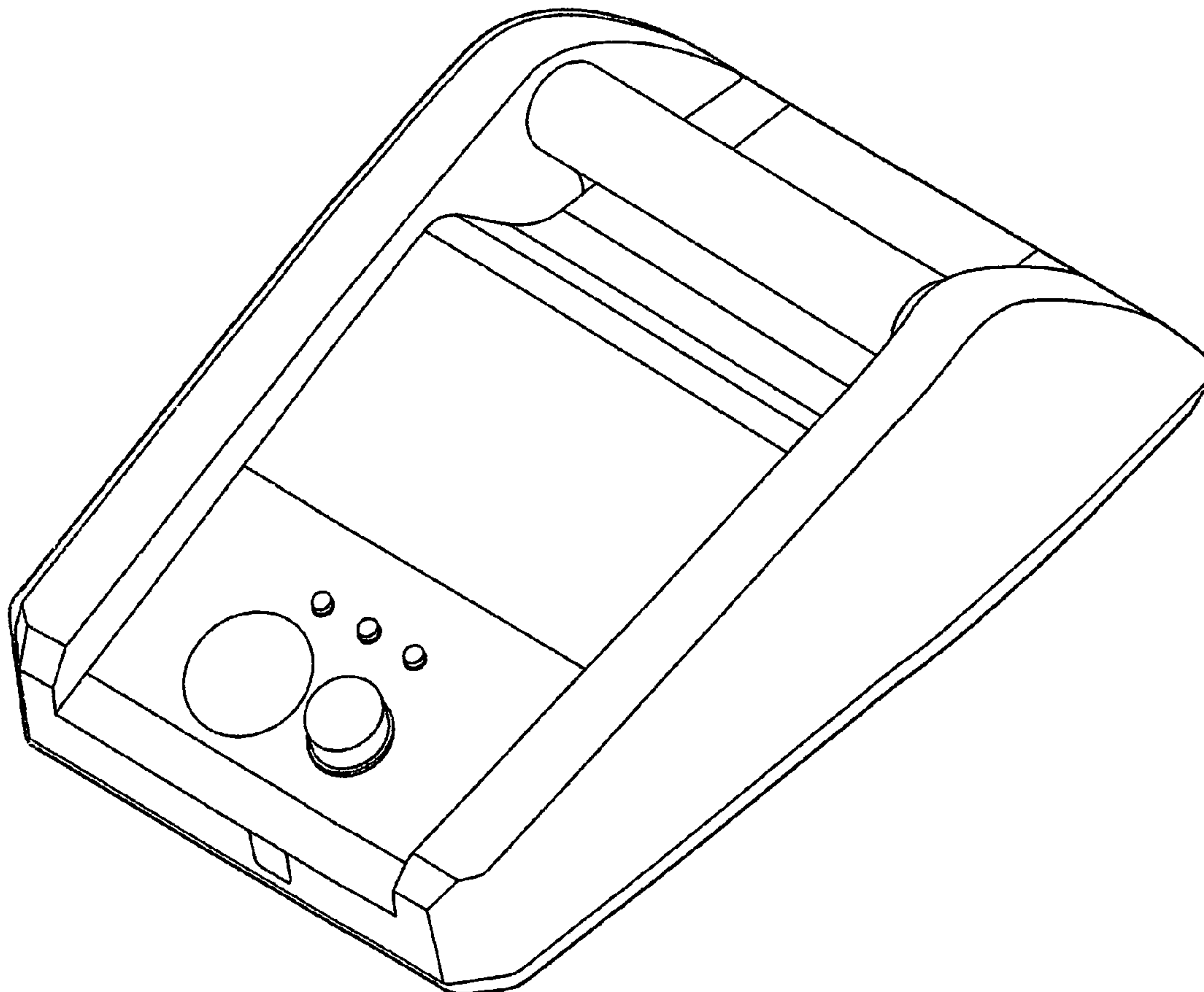
**U.S. PATENT DOCUMENTS**

D375,962 S *	11/1996	Wong	.....	D15/9
D434,048 S *	11/2000	Orschell et al.	.....	D15/9
D536,708 S *	2/2007	Bass	.....	D15/9
D573,608 S *	7/2008	Chan et al.	.....	D15/7
D624,093 S *	9/2010	Lu	.....	D15/7

FIG. 6 is a bottom view of a housing for a compressor shown in FIG. 1.

The elements shown in broken lines form no part of the claimed design.

**1 Claim, 5 Drawing Sheets**



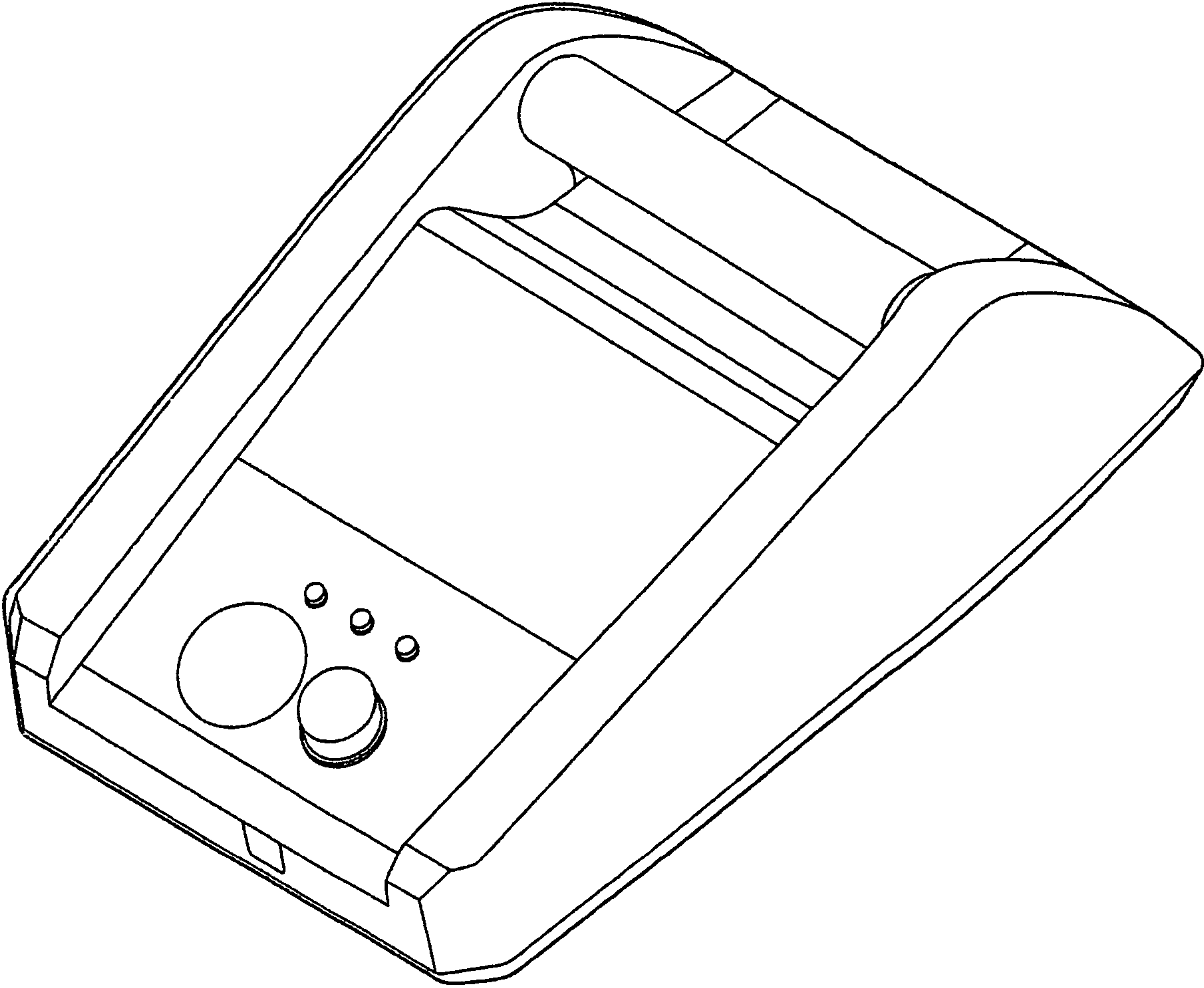


FIG. 1

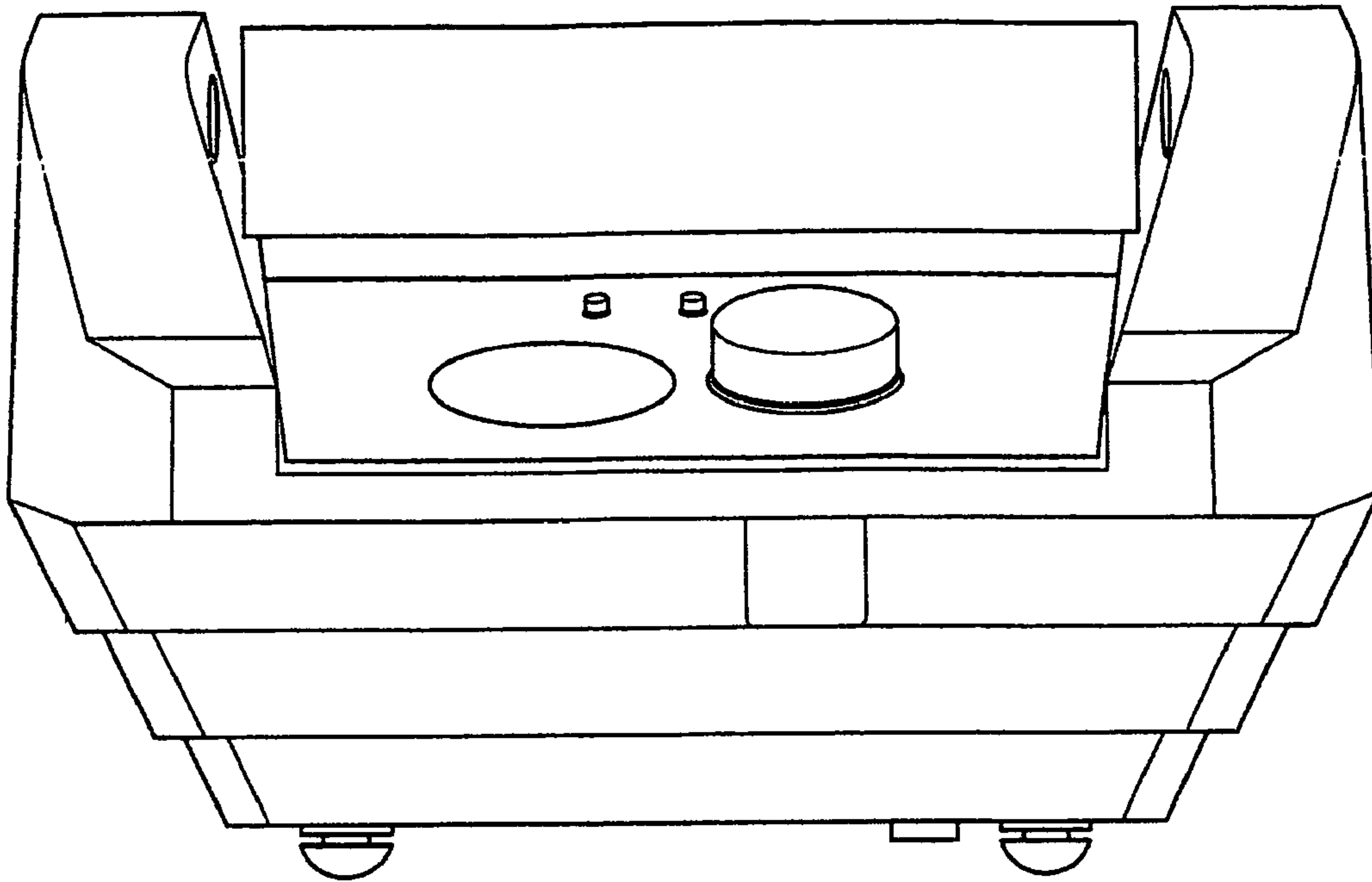


FIG. 2

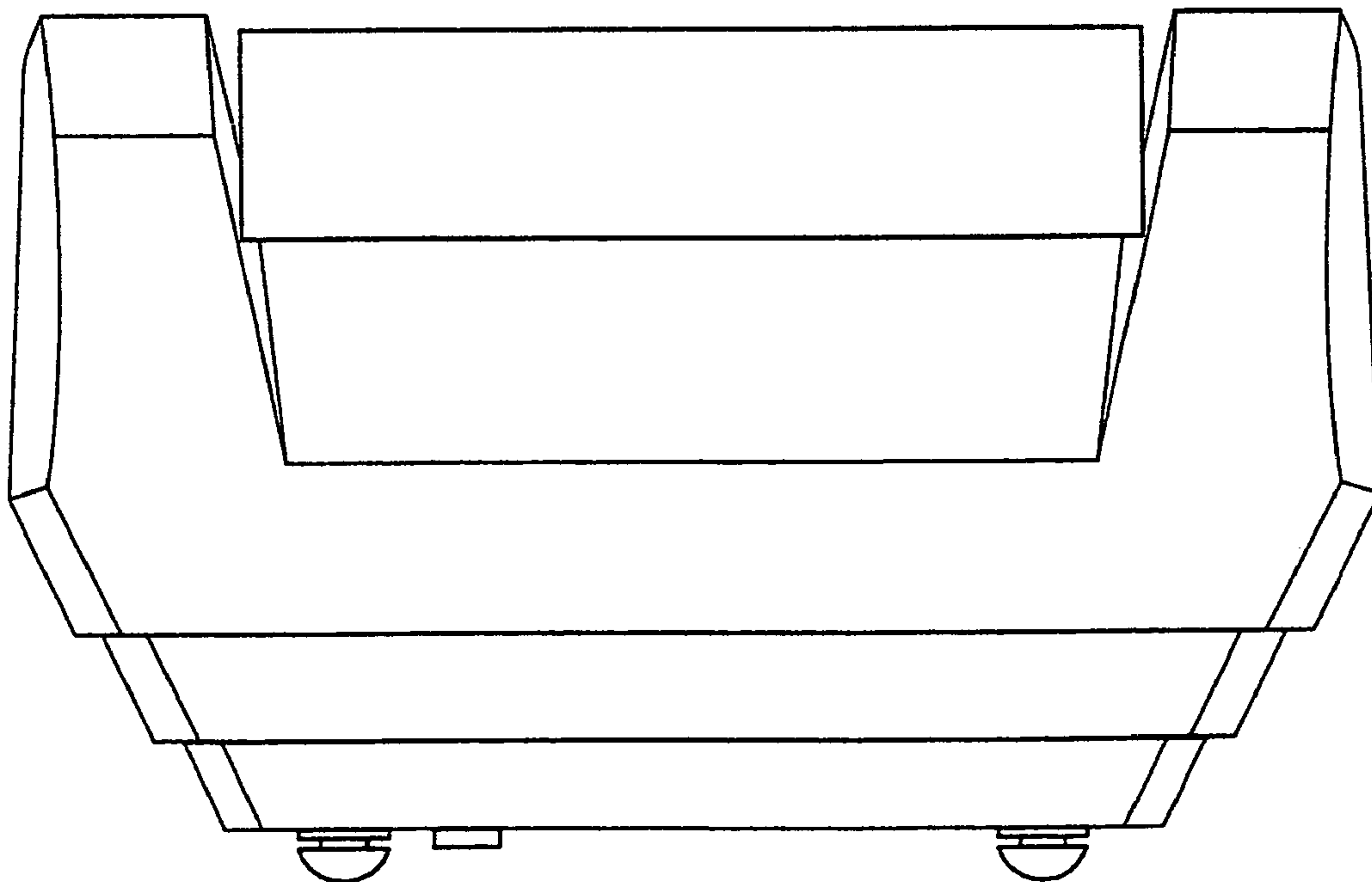


FIG. 3

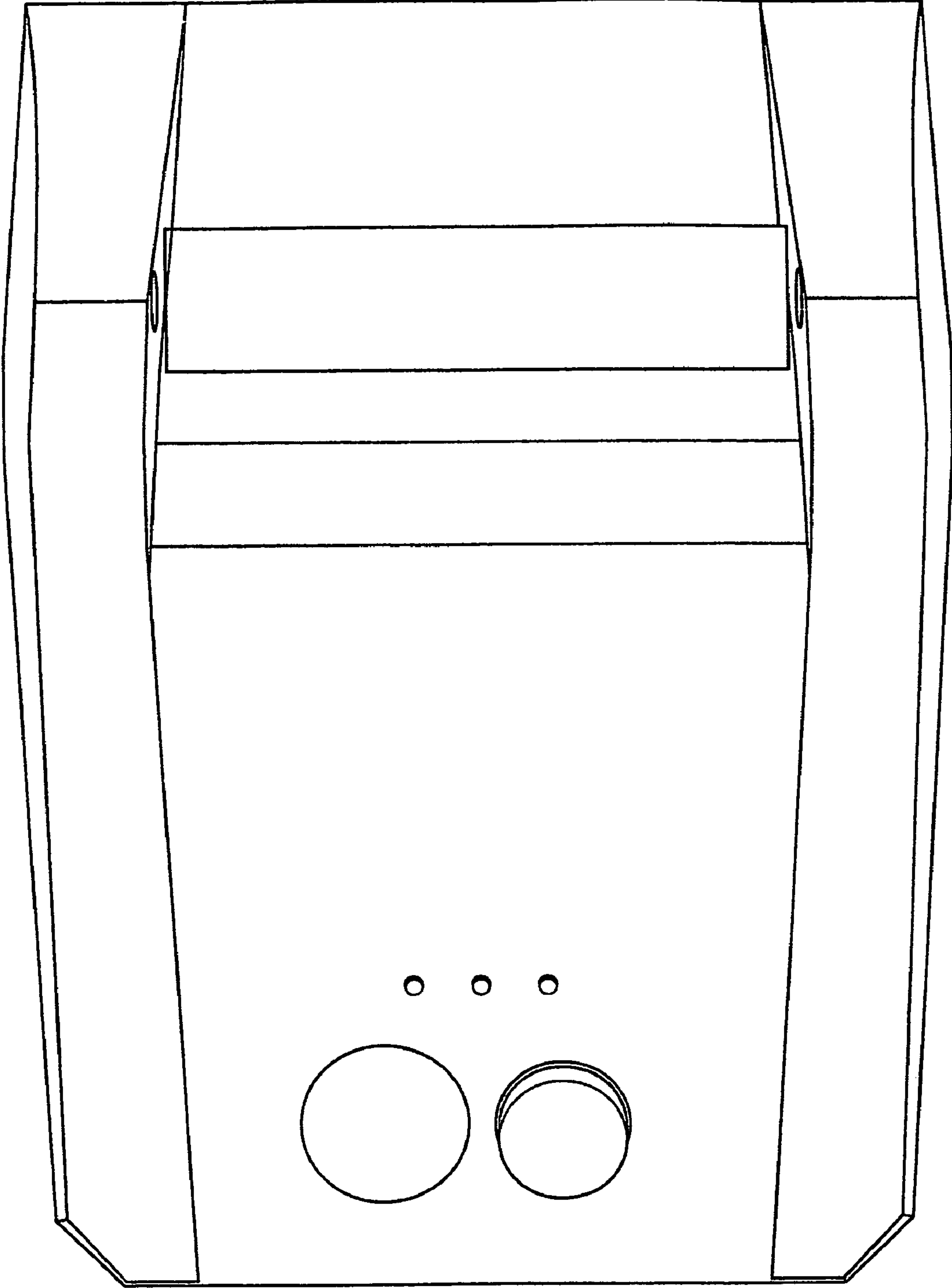


FIG. 4

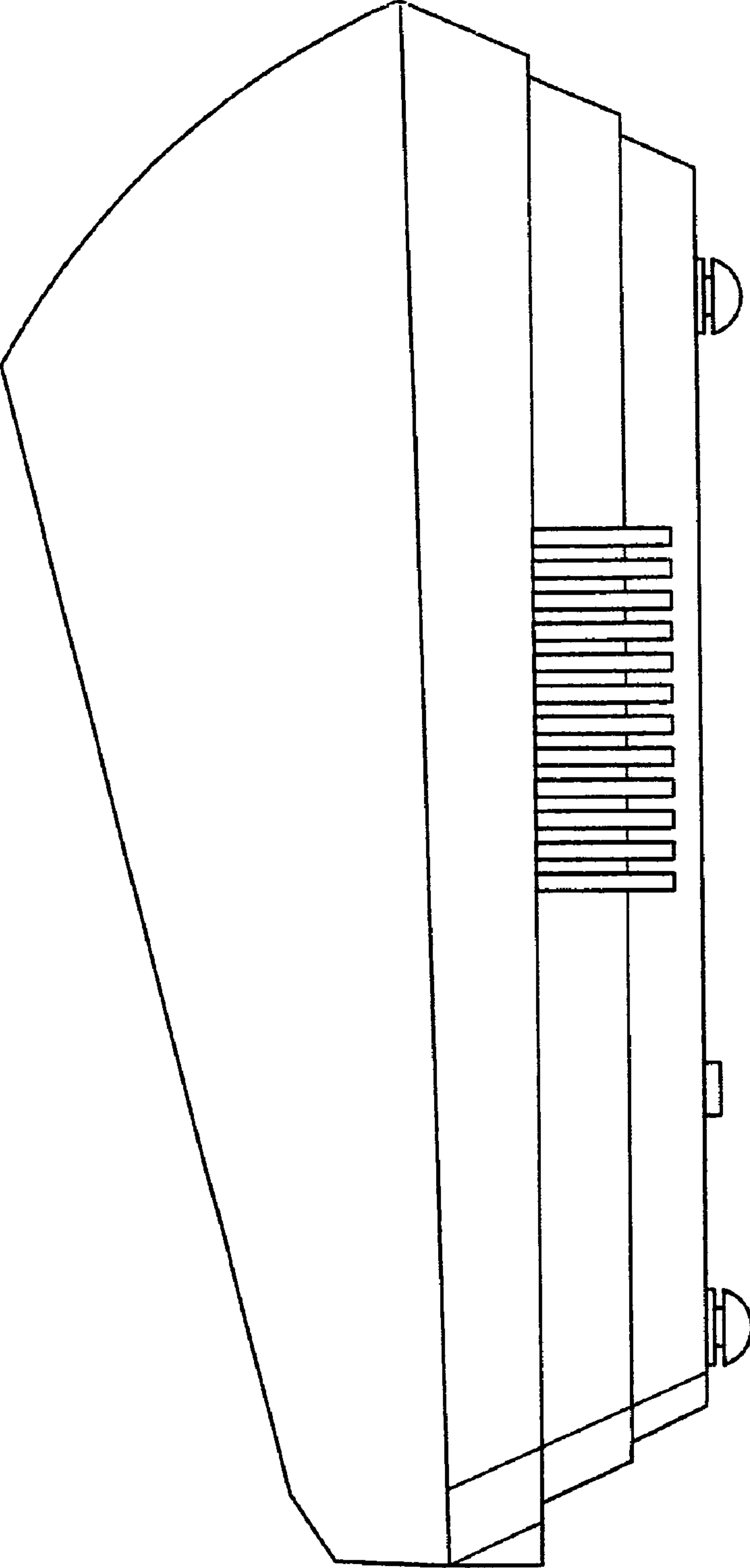


FIG. 5

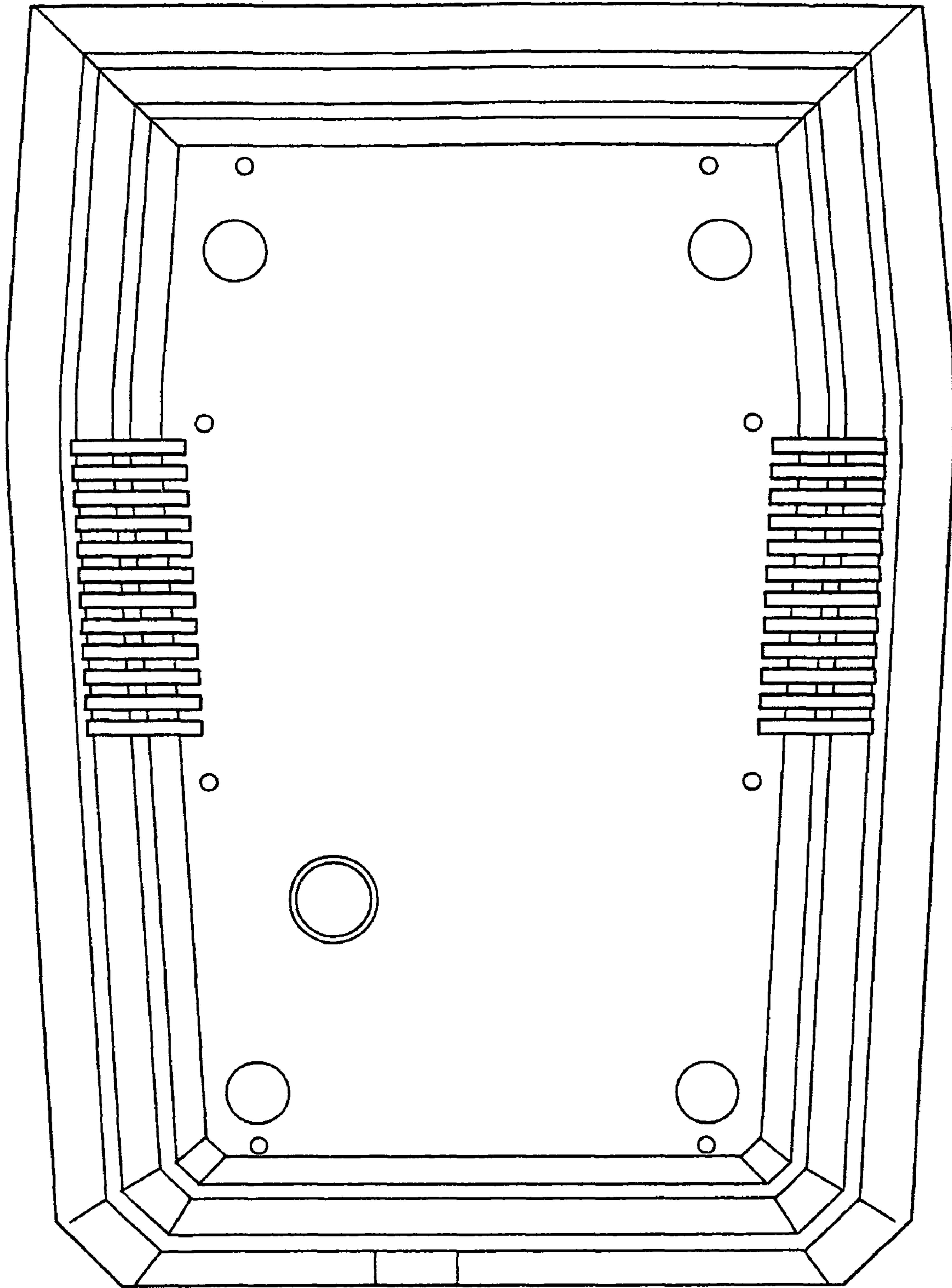


FIG. 6