



US00D632701S

(12) **United States Design Patent**  
**Lundberg et al.**

(10) **Patent No.:** **US D632,701 S**  
(45) **Date of Patent:** **\*\* Feb. 15, 2011**

(54) **ELECTRIC MOTOR HOUSING**

(75) Inventors: **Hakon Lundberg**, Partille (SE); **Anders Ek**, Kullavik (SE)

(73) Assignee: **FlexLink Components AB** (SE)

(\*\*) Term: **14 Years**

(21) Appl. No.: **29/357,011**

(22) Filed: **Mar. 5, 2010**

(30) **Foreign Application Priority Data**

Sep. 11, 2009 (EP) ..... 001163943-0002

(51) **LOC (9) Cl.** ..... **15-01**

(52) **U.S. Cl.** ..... **D15/1**

(58) **Field of Classification Search** ..... D15/1,  
D15/2, 3, 5, 6, 14, 17, 149; 123/22, 41.34,  
123/51 A, 606 R, 52.1, 50 A, 50 B, 54.1,  
123/54.2, 54.4, 54.5, 65 R, 195 R, 195 HC,  
123/657, 311; D13/184

See application file for complete search history.

(56) **References Cited**

**U.S. PATENT DOCUMENTS**

D594,476 S \* 6/2009 Mayer et al. .... D15/5

\* cited by examiner

*Primary Examiner*—T. Chase Nelson  
*Assistant Examiner*—Ania K Dworzecka

(74) *Attorney, Agent, or Firm*—Schwegman, Lundberg & Woessner, PA.

(57) **CLAIM**

The ornamental design for an electric motor housing, as shown and described.

**DESCRIPTION**

FIG. 1 is a front/top side perspective view of the electric motor housing according to my design;

FIG. 2 is a left side view with the top side oriented up thereof;

FIG. 3 is a front view with the top side oriented down thereof;

FIG. 4 is a right side view with the top side oriented to the right thereof;

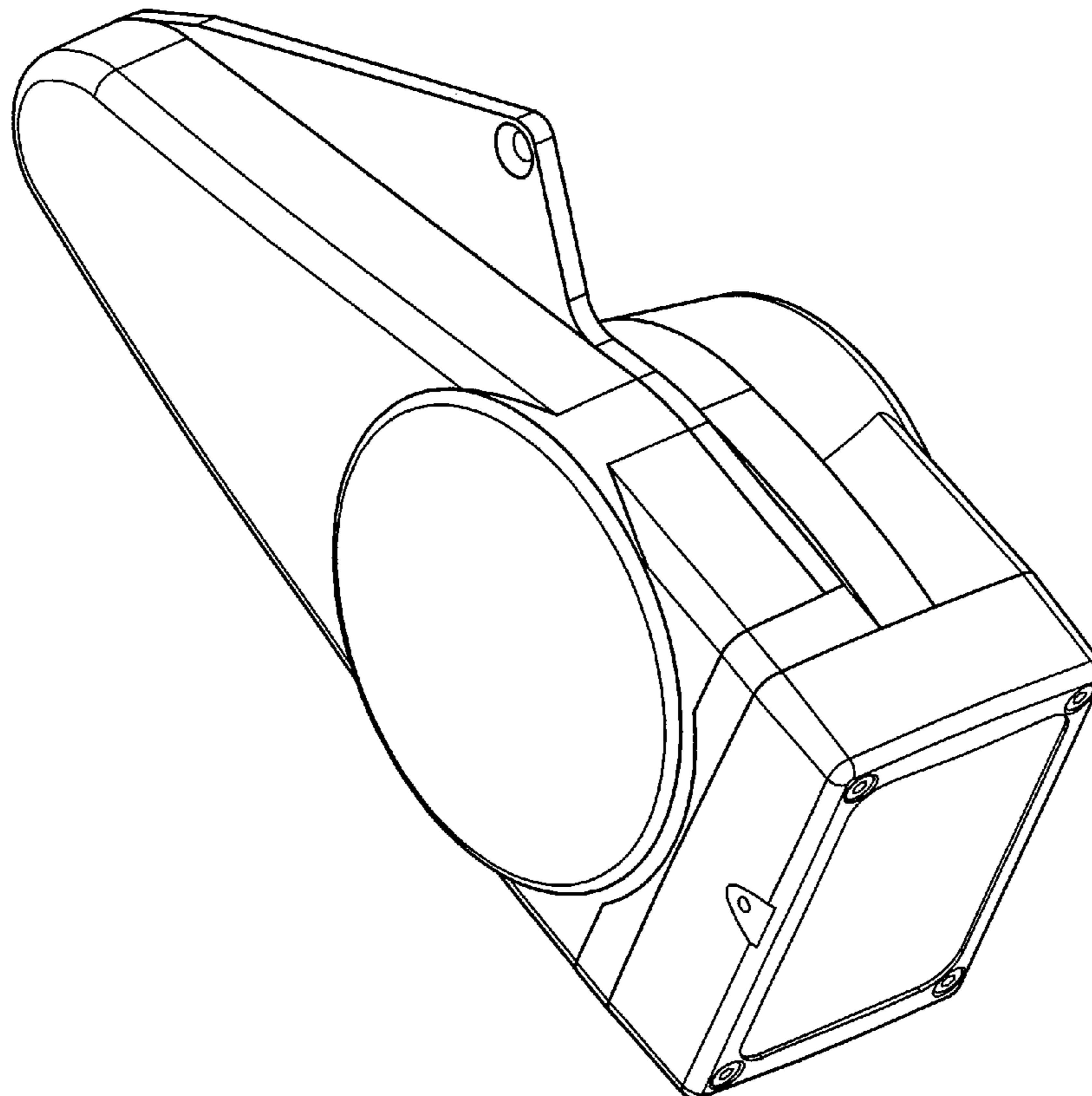
FIG. 5 is a back side view with the back side oriented to the left thereof;

FIG. 6 is a bottom view thereof; and,

FIG. 7 is a top view thereof.

In the drawings, the broken lines shown in FIG. 5 form no part of the claimed design.

**1 Claim, 6 Drawing Sheets**



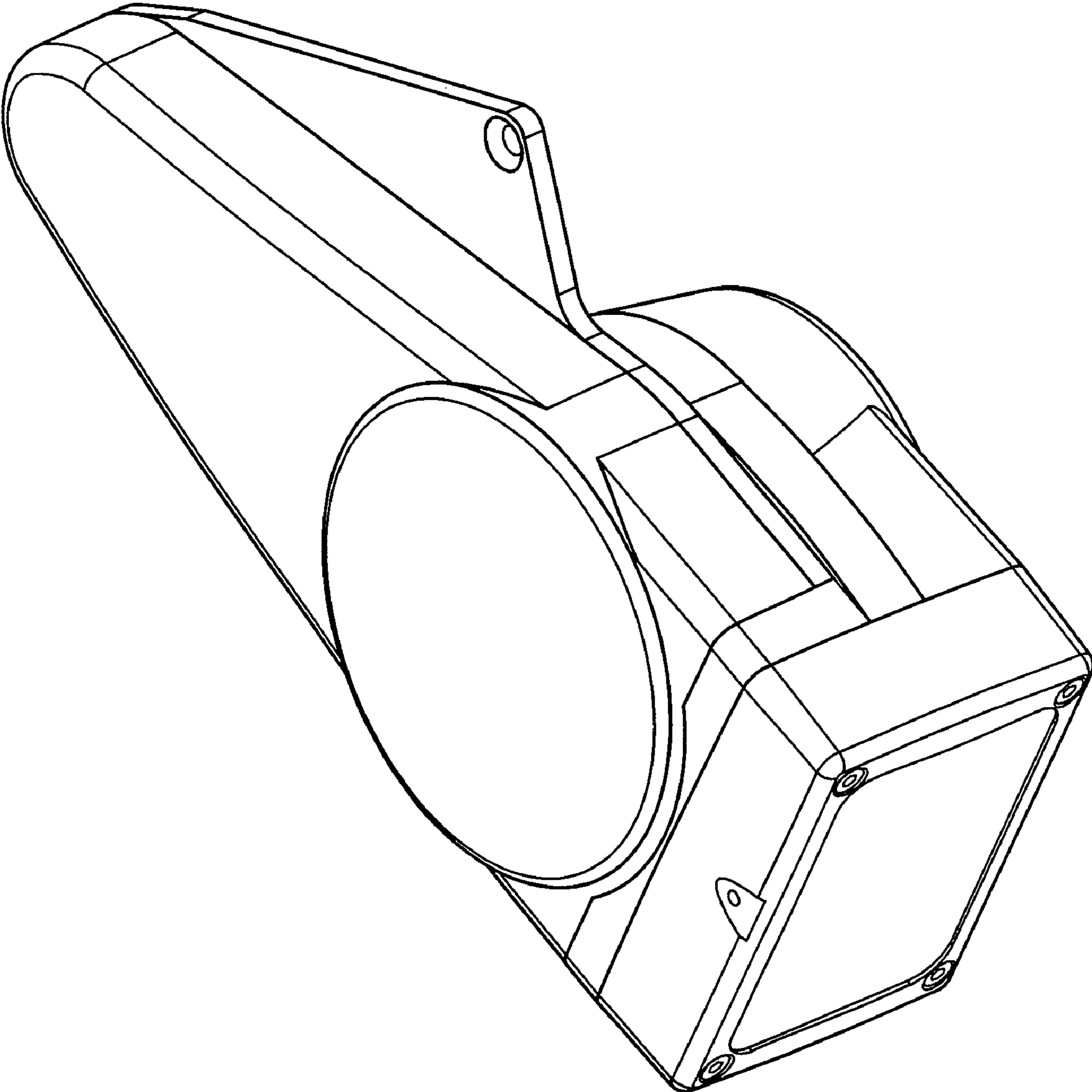


FIG. 1

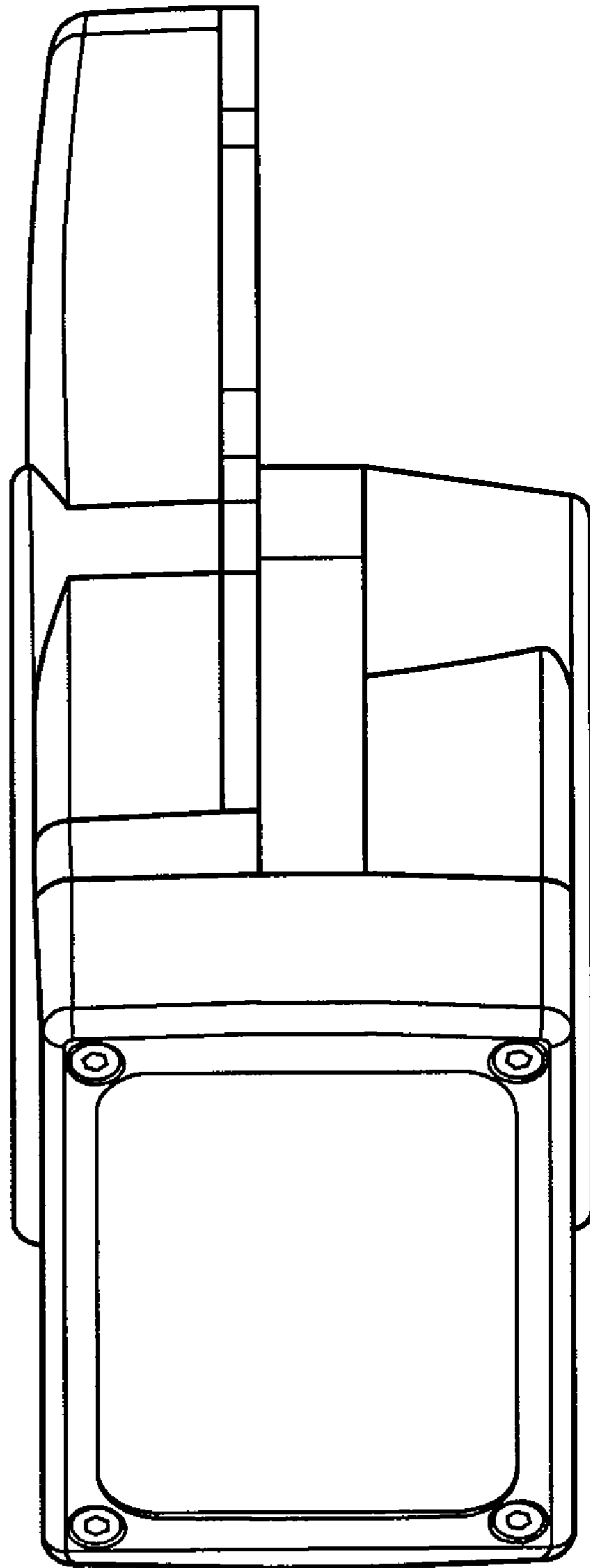


FIG. 2

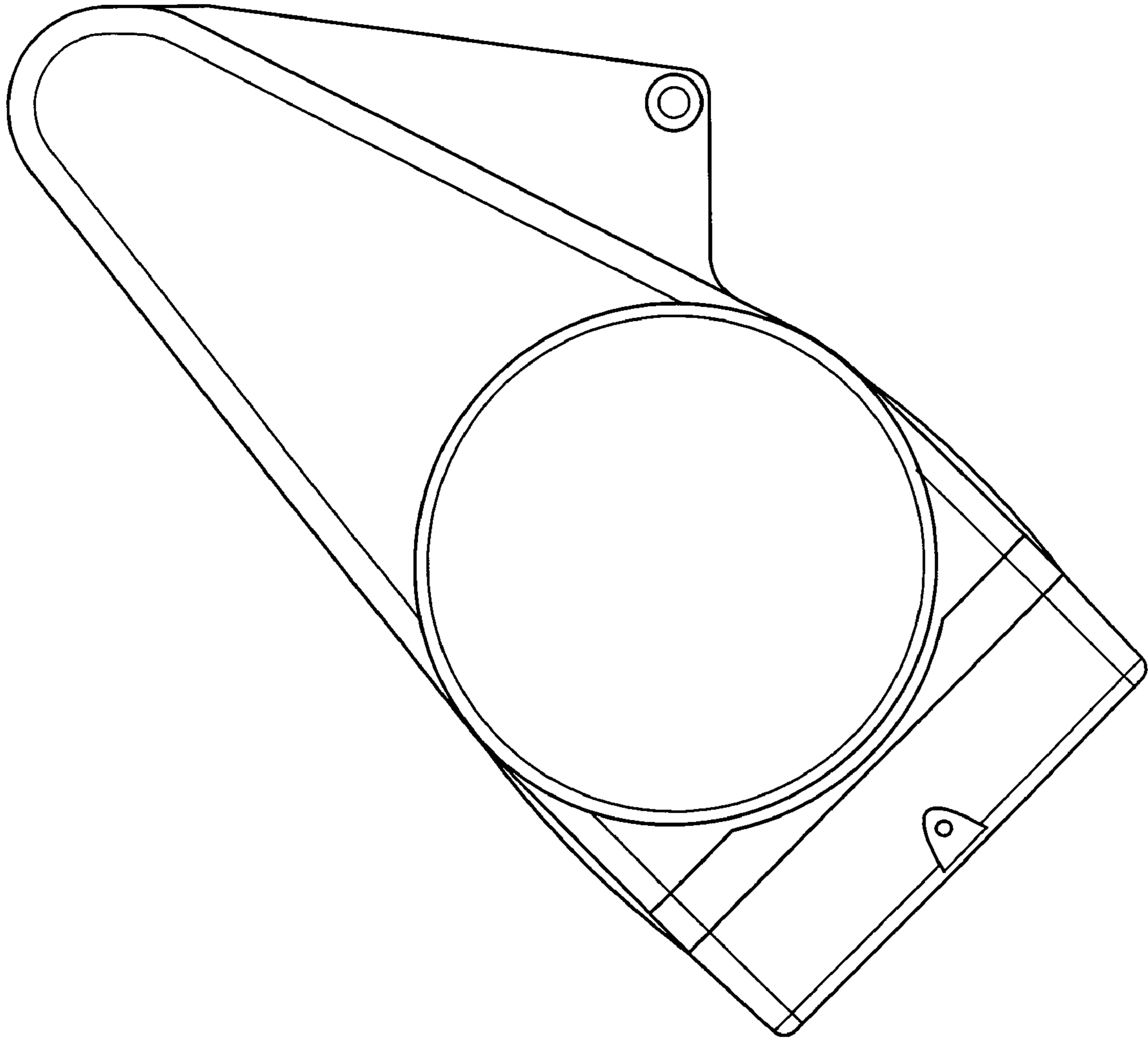


FIG. 3

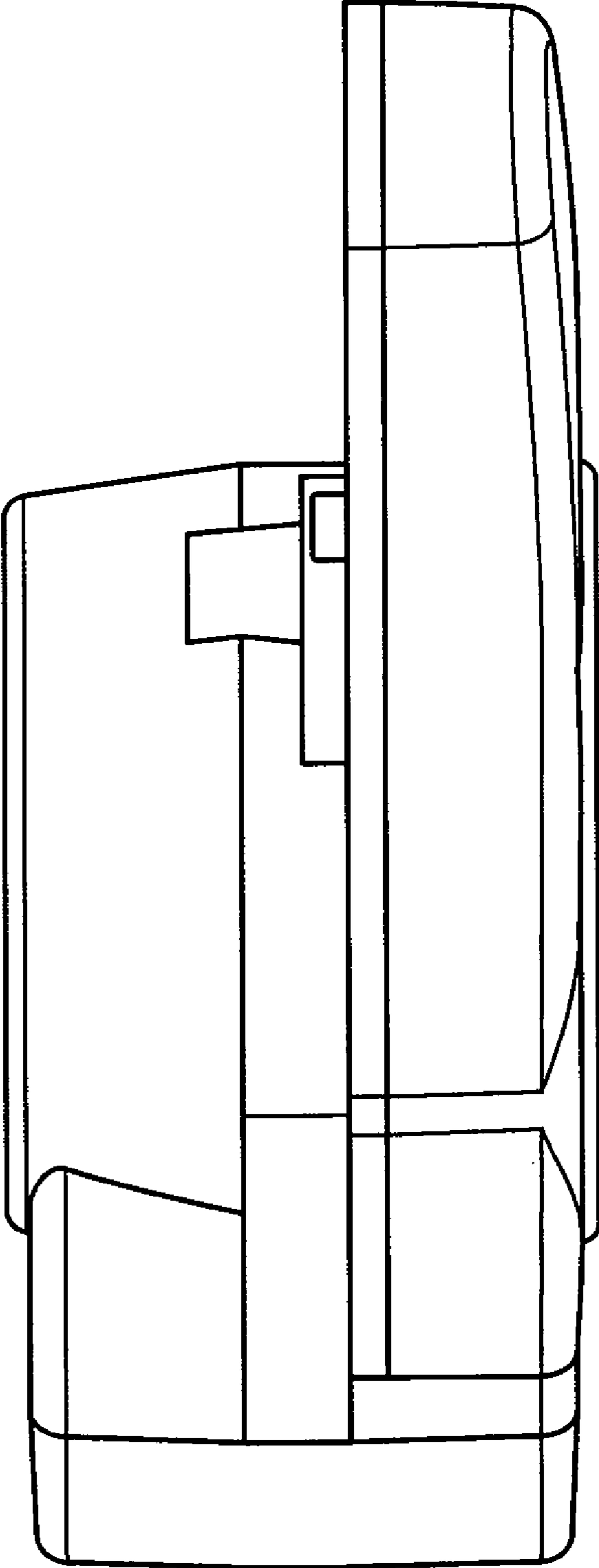


FIG. 4

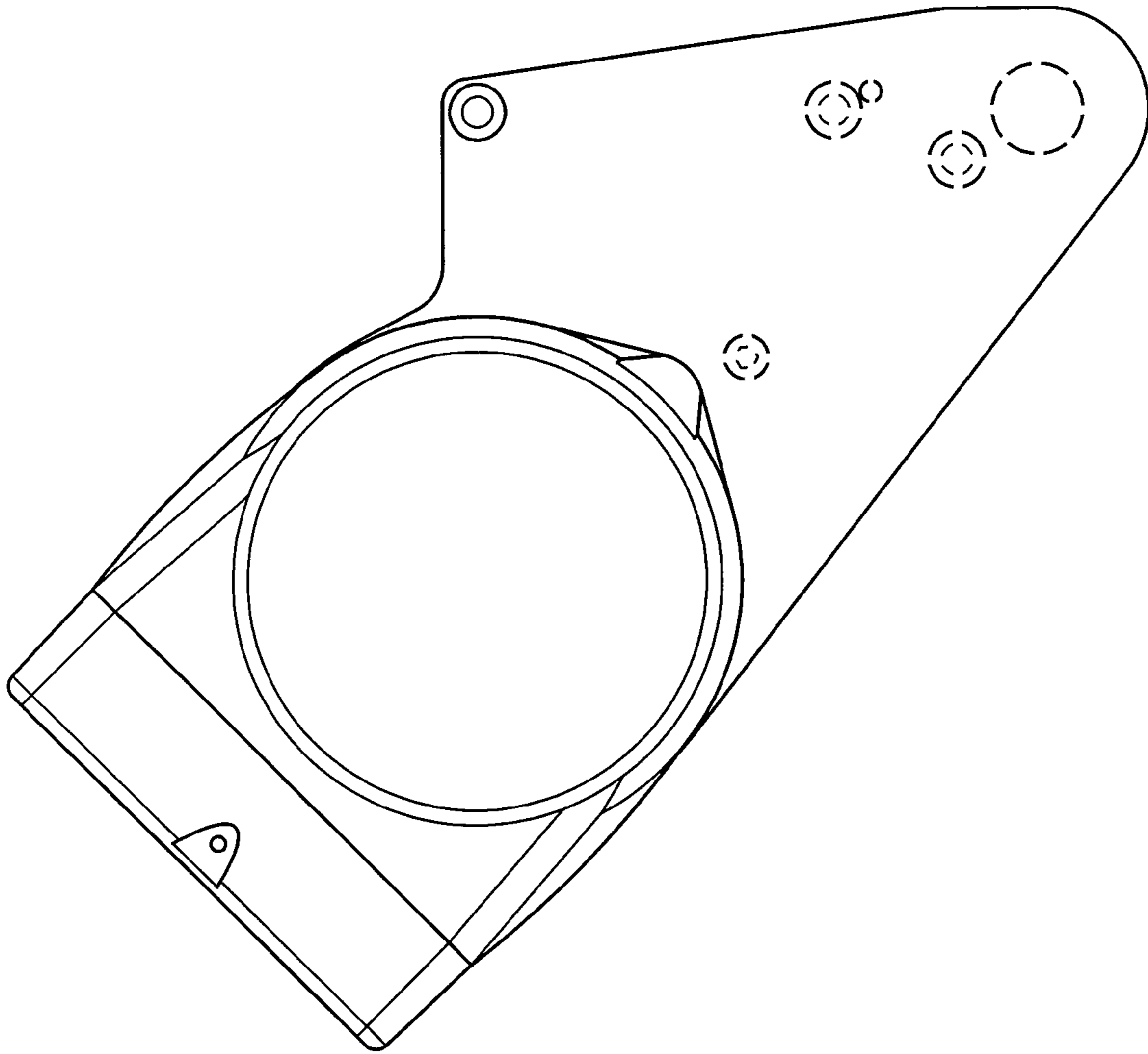


FIG. 5

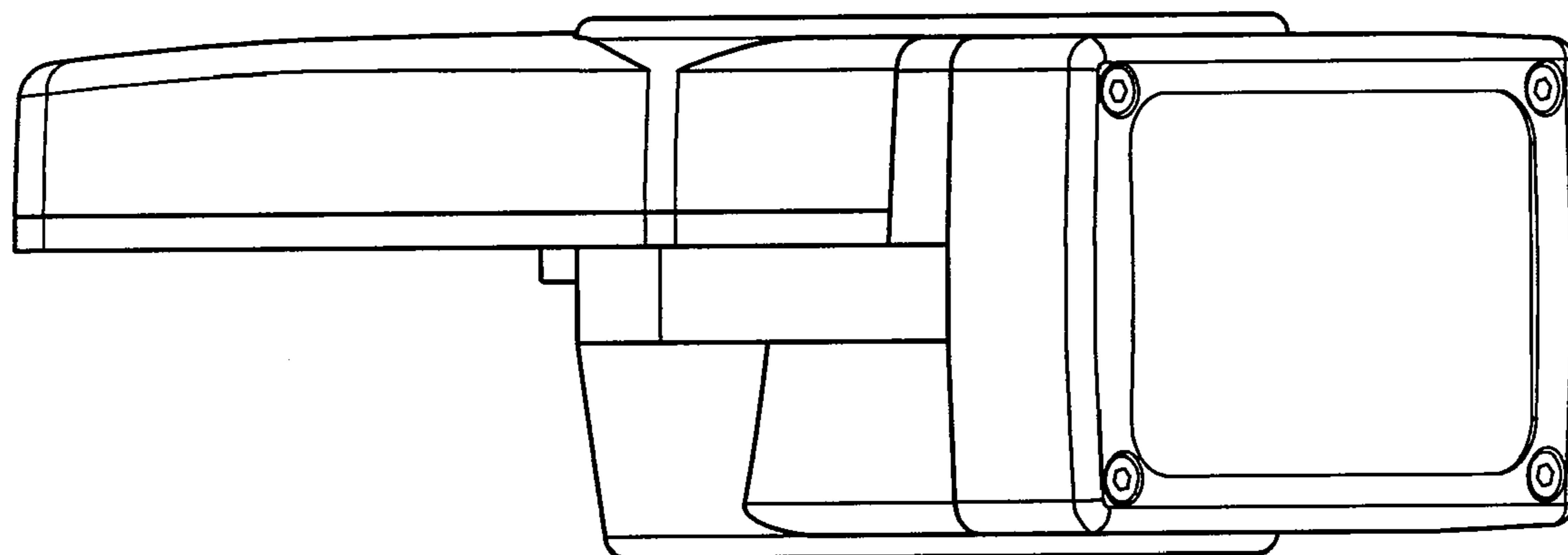


FIG. 6

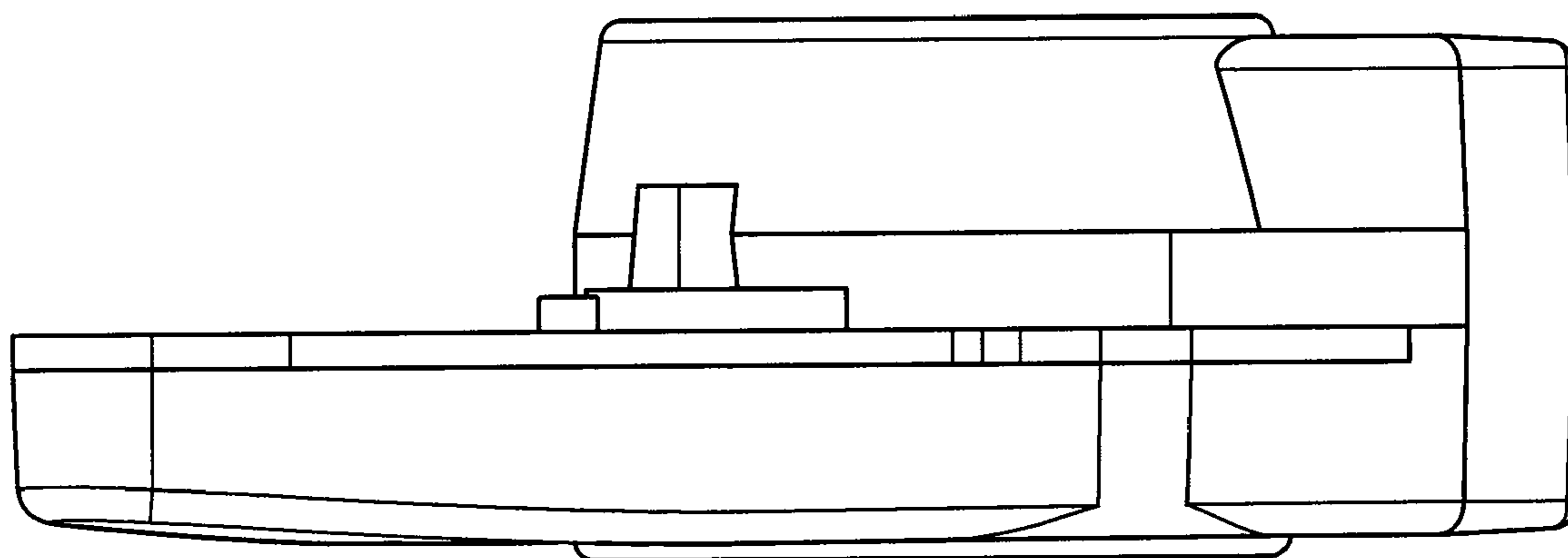


FIG. 7