

US00D632697S

(12) **United States Design Patent**  
**Zuckerman**

(10) **Patent No.:** **US D632,697 S**

(45) **Date of Patent:** **\*\* Feb. 15, 2011**

(54) **LAPTOP COMPUTER WRIST REST**

(76) Inventor: **Michael Zuckerman**, 1477 Bubbling  
Creek Rd., Atlanta, GA (US) 30319

(\*\*) Term: **14 Years**

(21) Appl. No.: **29/346,765**

(22) Filed: **Nov. 5, 2009**

(51) **LOC (9) Cl.** ..... **06-06**

(52) **U.S. Cl.** ..... **D14/461**

(58) **Field of Classification Search** ..... D14/457-461,  
D14/388, 389; D24/183, 188, 190-192,  
D24/206, 207; D6/406.3-406.6, 601; 248/118,  
248/346.01, 694; 345/156-167; 361/679.08,  
361/679.09, 679.19

See application file for complete search history.

(56) **References Cited**

U.S. PATENT DOCUMENTS

5,125,606	A *	6/1992	Cassano et al.	.....	248/118
D328,598	S *	8/1992	Massey	.....	D14/461
D352,933	S *	11/1994	Vaule	.....	D14/461
D361,325	S *	8/1995	Massey	.....	D14/461
D361,988	S *	9/1995	Grant	.....	D14/461
D383,740	S *	9/1997	Kirchhoff et al.	.....	D14/461
D387,339	S *	12/1997	Hsu	.....	D14/461
5,732,910	A *	3/1998	Martin	.....	248/118
D399,195	S *	10/1998	Cummings	.....	D14/460
D406,577	S *	3/1999	Fitzsimmons	.....	D14/461
6,195,255	B1 *	2/2001	Kim	.....	361/679.19
6,216,988	B1 *	4/2001	Hsu et al.	.....	248/118
6,219,867	B1 *	4/2001	Yates	.....	5/655.5

6,336,614	B1 *	1/2002	Kwitek	.....	248/118
6,499,703	B2 *	12/2002	Chou	.....	248/118
D505,041	S *	5/2005	Lesosky	.....	D6/601
D577,362	S *	9/2008	Rutter et al.	.....	D14/461
D582,921	S *	12/2008	Zuckerman	.....	D14/458
D589,519	S *	3/2009	Smith	.....	D14/461
D589,966	S *	4/2009	Zuckerman	.....	D14/461
D595,725	S *	7/2009	Zuckerman	.....	D14/461
D596,305	S *	7/2009	Usui et al.	.....	D24/206
2008/0218476	A1 *	9/2008	Patel	.....	345/163
2010/0226085	A1 *	9/2010	Zuckerman	.....	361/679.19

\* cited by examiner

*Primary Examiner*—Cathron C Brooks

*Assistant Examiner*—Deanna Fluegeman

(74) *Attorney, Agent, or Firm*—Jennifer Meredith, Esq.;  
Meredith & Keyhani, PLLC

(57) **CLAIM**

I claim the ornamental design for the laptop computer wrist rest, as shown and described.

**DESCRIPTION**

FIG. 1 is a top perspective view of the laptop computer wrist rest;

FIG. 2 is a bottom perspective view of the laptop computer wrist rest;

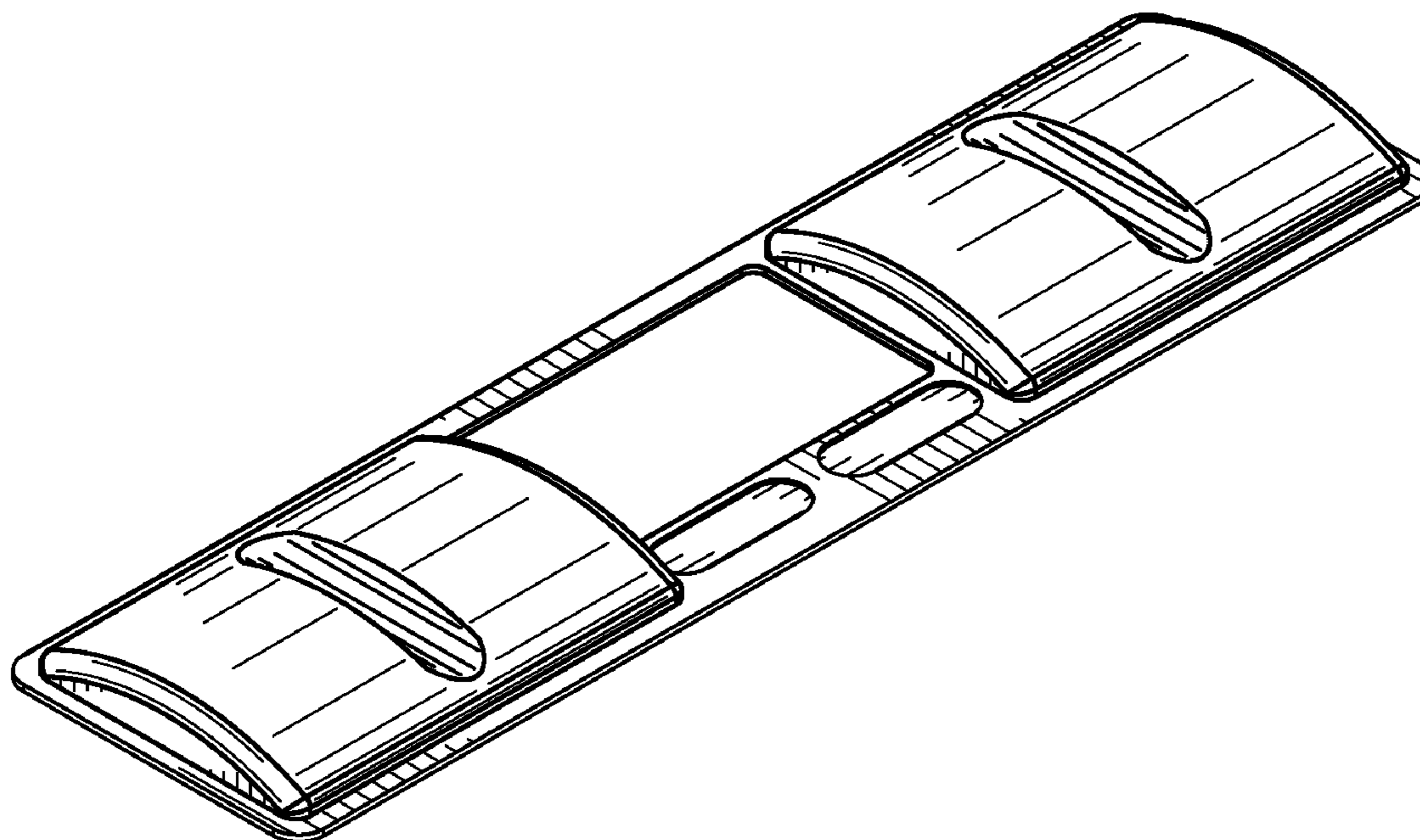
FIG. 3 is a side view of the laptop computer wrist rest;

FIG. 4 is a top view of the laptop computer wrist rest;

FIG. 5 is a bottom view of the laptop computer wrist rest; and,

FIG. 6 is a front view of the laptop computer wrist rest.

**1 Claim, 2 Drawing Sheets**



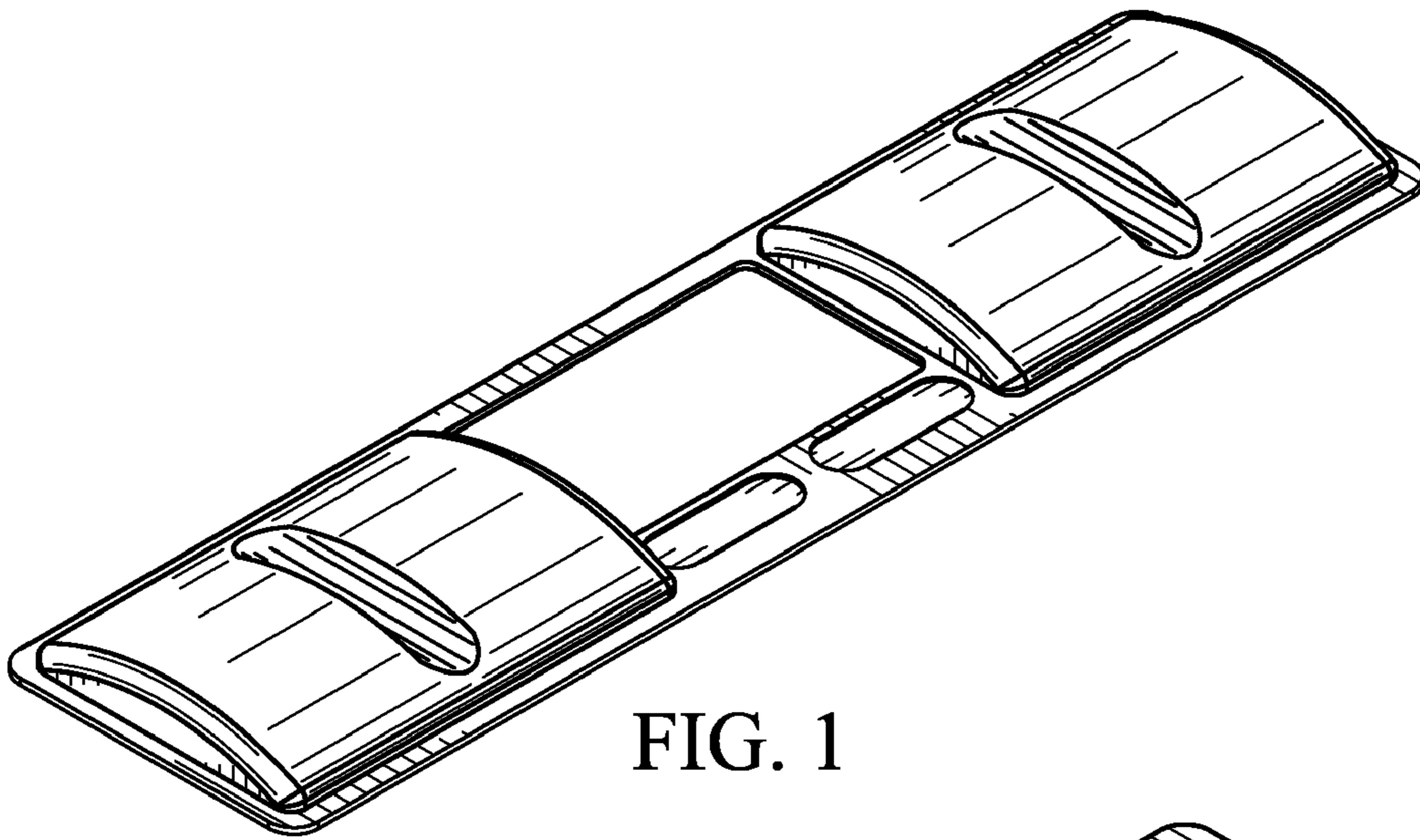


FIG. 1

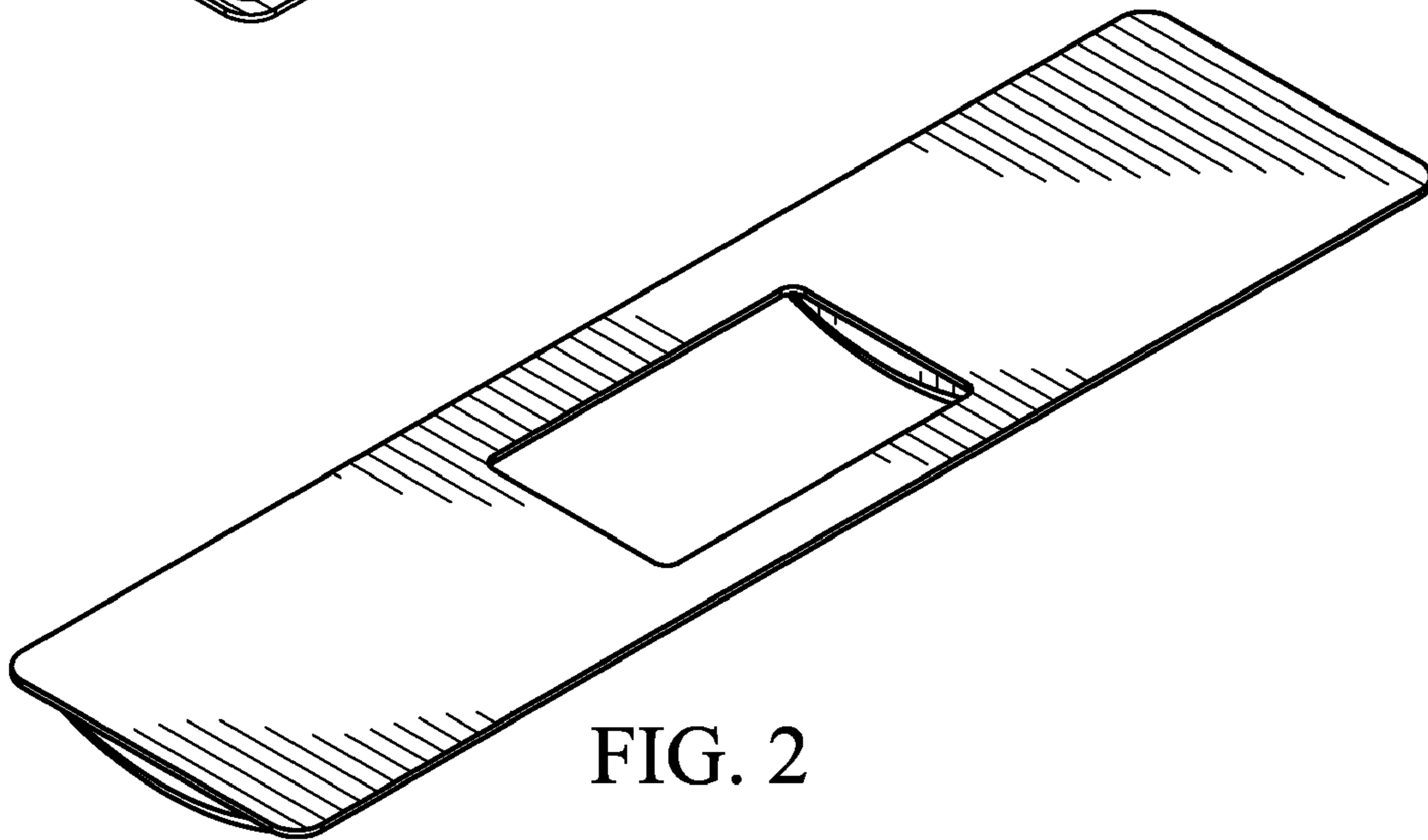


FIG. 2

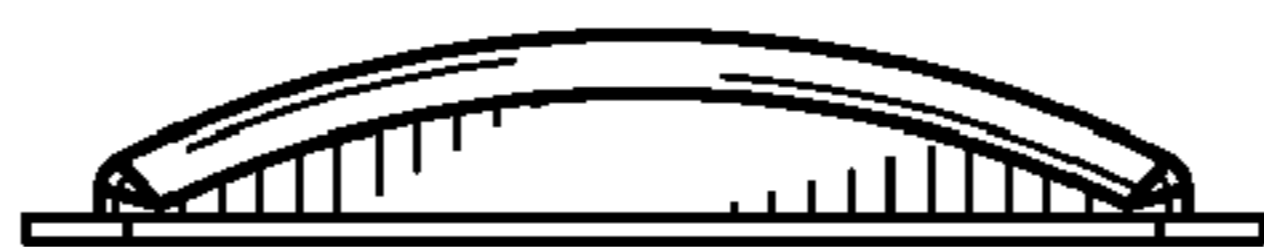


FIG. 3

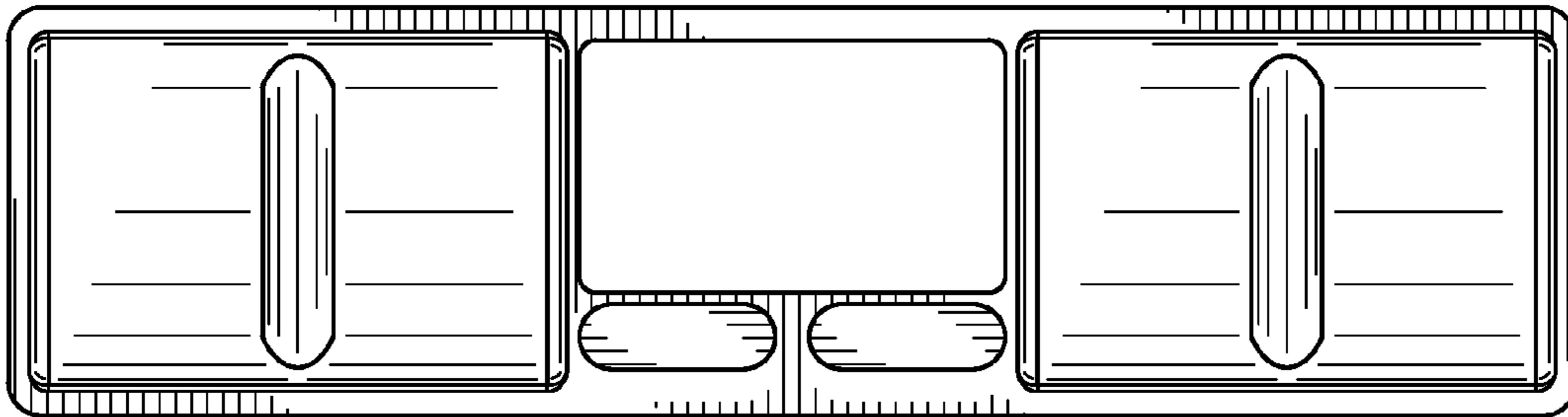


FIG. 4

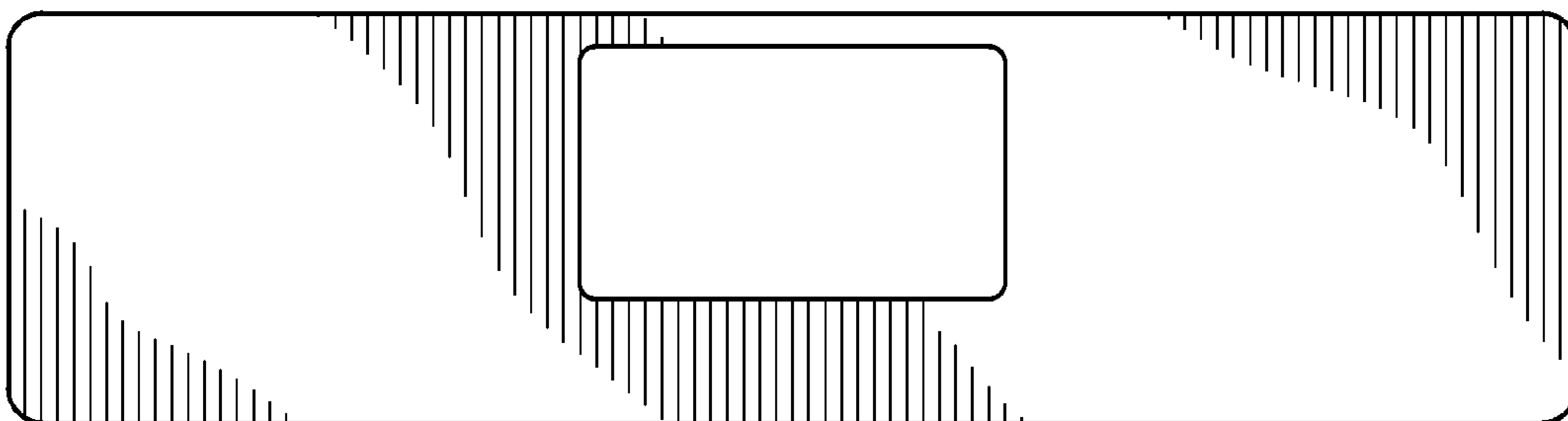


FIG. 5



FIG. 6