



US00D632695S

(12) **United States Design Patent**
Berntsen

(10) **Patent No.:** **US D632,695 S**

(45) **Date of Patent:** **** Feb. 15, 2011**

(54) **CARD HOLDER**

(76) **Inventor:** **Knut Berntsen**, Sigurds Vei 9 / 1473,
Lørenskog (NO)

(**) **Term:** **14 Years**

(21) **Appl. No.:** **29/344,837**

(22) **Filed:** **Oct. 5, 2009**

(51) **LOC (9) Cl.** **14-02**

(52) **U.S. Cl.** **D14/435**

(58) **Field of Classification Search** D14/435,
D14/436, 437, 438, 432, 356; D3/294, 273,
D3/201, 203.5, 203.6, 284, 295, 903, 203.1,
D3/203.2, 247, 249, 250, 227; D9/414, 422,
D9/424, 430, 432, 415; D28/83, 77, 78;
D6/632, 407, 634, 635, 627-629, 314; 206/38,
206/38.1, 39, 232, 804, 815, 308.1, 308.3,
206/472, 473, 483, 474, 477, 480, 569, 570,
206/482, 485, 486, 320, 305, 307, 307.1,
206/450, 701, 722, 387.1, 387.13, 491, 455,
206/316.1, 316.2, 706, 725, 312, 223, 235,
206/236, 811, 710, 454, 581, 531, 493, 445,
206/311, 823, 574, 37, 39.4, 39.5, 39.6, 39.1,
206/39.3, 776, 709, 449, 555; 206/807, 459.5,
206/556; 361/756, 686, 801, 802, 737, 752,
361/727; 150/147, 149, 150, 900, 131; 235/486,
235/487, 451, 492, 493, 380, 386, 382, 488;
242/378.2, 375, 385.1, 371, 400; 439/630,
439/945, 61, 135, 946; 53/471; 40/642.02,
40/655, 661.07, 765, 1.5, 427, 777, 649,
40/1.6, 666, 661.04, 27.5, 661, 653, 308;
224/277, 929, 162, 269, 191, 254, 255, 274,
224/245, 196; 220/4.22, 526, 281, 315, 326,
220/826, 263, 835, 324, 838, 4.23, 839; 16/361;
215/201; 211/40; 70/276, 58, 63; 190/109,
190/117, 901; 312/244; 402/3, 76; D7/629;
D8/339, 330, 331, 343; 292/116, 137, 148,
292/156, 302, DIG. 11; 132/293-295, 298,
132/301, 300; D21/333, 54, 55, 57; D99/34;
24/3.11, 3.12; 403/348; D20/43; D19/78,
D19/90, 1; 382/124; 356/71; 383/43, 106;
283/904; 281/42; D11/78.1; 174/353, 372,
174/386, 535; 109/23, 24; 340/568.7

See application file for complete search history.

(56) **References Cited**

U.S. PATENT DOCUMENTS

D30,603	S	*	4/1899	Kruttschnitt	D3/247
1,670,343	A	*	5/1928	Clemens	206/39.5
D168,398	S	*	12/1952	Gazan	D3/247
D189,333	S	*	11/1960	Hayden	D3/247
3,029,537	A	*	4/1962	Hopp et al.	40/653
3,860,248	A	*	1/1975	Hunt et al.	206/308.3
3,958,690	A	*	5/1976	Gee, Sr.	206/232
4,356,646	A	*	11/1982	Johnson, Jr.	40/651

(Continued)

Primary Examiner—Susan Moon Lee

(74) *Attorney, Agent, or Firm*—Kolisich Hartwell, PC

(57) **CLAIM**

I claim the ornamental design for a card holder, as shown and described.

DESCRIPTION

FIG. 1 is a right, front perspective view of a card holder according to an embodiment of the invention, where a left, front perspective view of the card holder shown in FIG. 1 is a mirror image of FIG. 1.

FIG. 2 is a left, rear perspective view of the card holder of FIG. 1, where a right, rear perspective view of the card holder shown in FIG. 1 is a mirror image of FIG. 2.

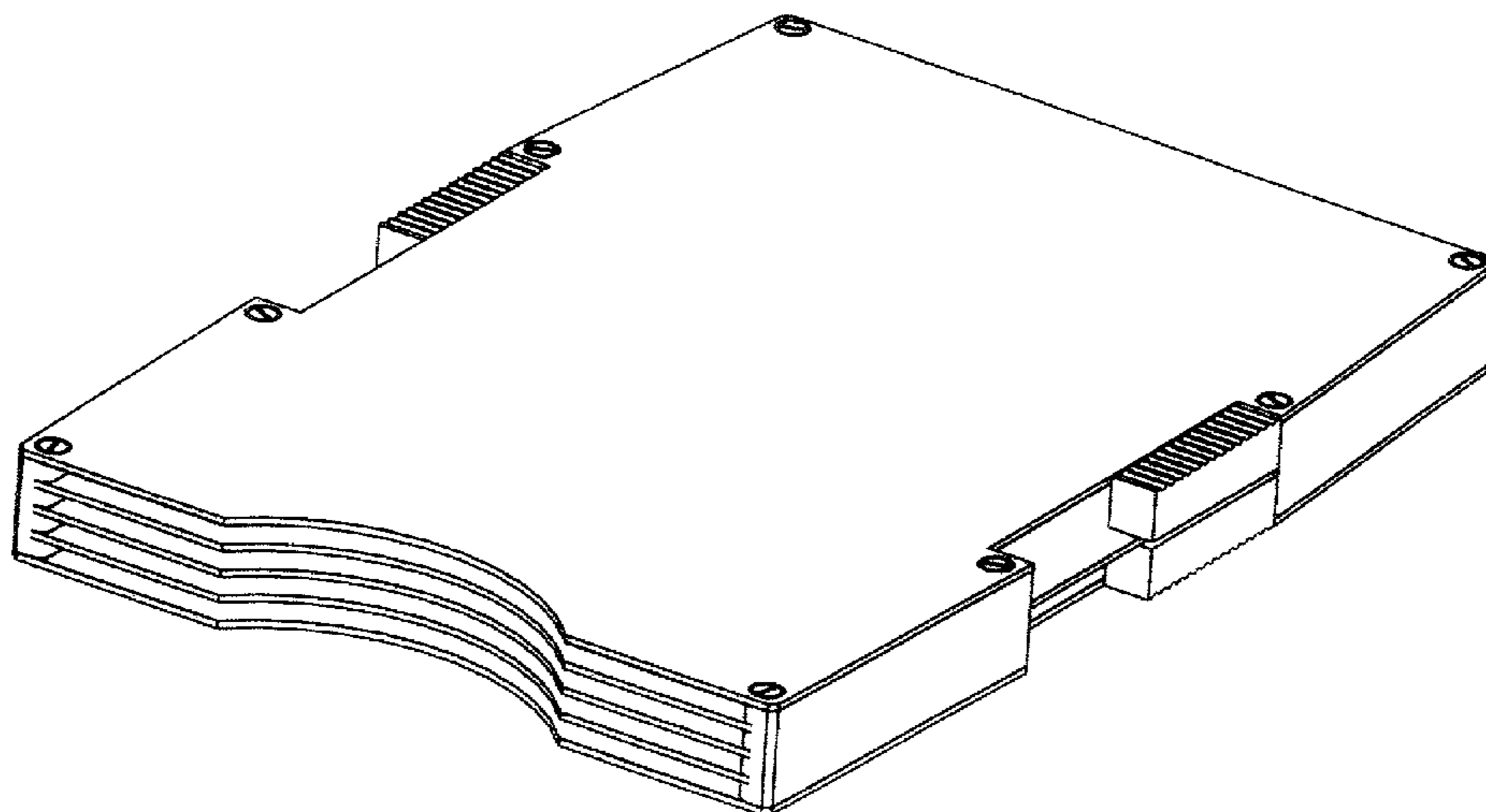
FIG. 3 is a top plan view of the card holder of FIG. 1, where a bottom plan view of the card holder shown in FIG. 1 is the same as FIG. 3.

FIG. 4 is a right elevation view of the card holder of FIG. 1, where a left elevation view of the card holder of FIG. 1 is a mirror image of FIG. 4.

FIG. 5 is a front elevation view of the card holder of FIG. 1; and,

FIG. 6 is a rear elevation view of the card holder of FIG. 1.

1 Claim, 6 Drawing Sheets



US D632,695 S

U.S. PATENT DOCUMENTS

4,518,080	A *	5/1985	Ohlson	206/39	D453,515	S *	2/2002	Brewer et al.	D14/436
4,531,878	A *	7/1985	Tamura	414/412	6,356,456	B2 *	3/2002	Eskildsen	361/801
4,537,307	A *	8/1985	Tamura	206/455	6,357,739	B2 *	3/2002	Sasaki et al.	271/145
4,691,456	A *	9/1987	Ackeret	40/721	6,373,706	B1 *	4/2002	Kasahara et al.	361/725
4,778,056	A *	10/1988	Faulstick et al.	206/564	6,409,012	B2 *	6/2002	Shiga et al.	206/232
D314,865	S *	2/1991	Tuisku	D3/247	D470,657	S *	2/2003	Kawamura	D3/247
5,026,039	A *	6/1991	Kuzuya et al.	271/11	6,561,506	B2 *	5/2003	Sasaki et al.	271/145
5,125,505	A *	6/1992	Kurosaki	206/39.4	6,571,940	B2 *	6/2003	Newman	206/38
D330,022	S *	10/1992	Chen	D14/436	6,594,154	B1 *	7/2003	Brewer et al.	361/801
5,184,282	A *	2/1993	Kaneda et al.	361/737	6,834,809	B2 *	12/2004	Ogushi	235/483
5,326,964	A *	7/1994	Risser	235/487	6,848,577	B2 *	2/2005	Kawamura et al.	206/449
5,385,235	A *	1/1995	Ikebe et al.	206/308.1	6,898,884	B1 *	5/2005	Meyenberg	40/649
5,467,871	A *	11/1995	DeField	206/232	D507,110	S *	7/2005	Hicks et al.	D3/318
D364,861	S *	12/1995	Luong	D14/436	D510,186	S *	10/2005	Bell	D3/247
5,531,324	A *	7/1996	Kosaki et al.	206/449	D523,860	S *	6/2006	Xu et al.	D14/436
5,718,329	A *	2/1998	Ippolito et al.	206/38	7,161,747	B2 *	1/2007	Yang, Jr.	359/812
5,740,624	A *	4/1998	Baseley	40/649	7,161,811	B2 *	1/2007	Richter	361/737
D404,566	S *	1/1999	Archer	D3/247	7,162,547	B2 *	1/2007	Hosaka et al.	710/8
5,901,764	A *	5/1999	Ritter	150/147	D537,382	S *	2/2007	Yang	D11/216
D411,524	S *	6/1999	Kitagawa et al.	D14/356	7,172,127	B1 *	2/2007	Poland	235/486
5,929,427	A *	7/1999	Harada et al.	235/492	7,179,129	B1 *	2/2007	Hwang	439/630
5,944,182	A *	8/1999	Williams et al.	206/308.3	D547,062	S *	7/2007	Chang	D3/247
D414,481	S *	9/1999	Wu	D14/436	7,293,647	B2 *	11/2007	Wong et al.	206/307.1
5,954,198	A *	9/1999	Ikebe et al.	206/308.3	7,308,771	B2 *	12/2007	Memelink	40/649
5,960,948	A *	10/1999	Shiga et al.	206/232	D561,469	S *	2/2008	Jensen et al.	D3/247
5,984,441	A *	11/1999	Stokhuijzen	312/240	D573,634	S *	7/2008	Horiuchi et al.	D18/56
5,988,374	A *	11/1999	Funawatari et al.	206/308.1	7,395,623	B2 *	7/2008	Park et al.	40/312
6,016,954	A *	1/2000	Abe et al.	235/379	D575,506	S *	8/2008	Huang	D3/247
6,021,901	A *	2/2000	Wolfe	206/531	7,443,690	B2 *	10/2008	Matsumoto et al.	361/737
6,050,014	A *	4/2000	Ohlson	40/649	D585,448	S *	1/2009	Kawaguchi et al.	D14/435
6,089,289	A *	7/2000	Florjancic	150/147	D586,815	S *	2/2009	Friedman	D14/436
6,095,327	A *	8/2000	Ikebe et al.	206/308.3	D597,058	S *	7/2009	Sheppard	D14/142
6,097,605	A *	8/2000	Klatt et al.	361/737	7,578,446	B2 *	8/2009	Yen	235/486
6,121,544	A *	9/2000	Petsinger	174/353	7,597,315	B2 *	10/2009	Yamamoto et al.	271/145
D431,568	S *	10/2000	Chan et al.	D14/436	D605,079	S *	12/2009	Yang	D11/216
D431,719	S *	10/2000	Mucarquer	D3/247	D613,293	S *	4/2010	Sheba	D14/435
6,155,410	A *	12/2000	Davis	206/39.5	D622,179	S *	8/2010	Frye	D11/216
D437,485	S *	2/2001	Hicks et al.	D3/318	7,789,232	B2 *	9/2010	Suito et al.	206/449
6,186,403	B1 *	2/2001	Ozbey et al.	235/487	2002/0056652	A1 *	5/2002	Kawamura et al.	206/37
6,213,313	B1 *	4/2001	Levy	211/51	2004/0041024	A1 *	3/2004	Liu et al.	235/441
6,219,256	B1 *	4/2001	Wu	361/801	2005/0199710	A1 *	9/2005	Richter	235/380
6,227,732	B1 *	5/2001	Higuchi et al.	400/624	2006/0186196	A1 *	8/2006	Schultz et al.	235/380
D444,789	S *	7/2001	Obata	D14/436	2008/0011628	A1 *	1/2008	Lin	206/307
D447,337	S *	9/2001	Sardina	D3/247	2008/0166898	A1 *	7/2008	Hubert et al.	439/64
6,318,918	B1 *	11/2001	Sasaki et al.	400/624	2008/0272191	A1 *	11/2008	Yen	235/380
6,341,710	B1 *	1/2002	Danielson et al.	220/281	2009/0000969	A1 *	1/2009	Walker et al.	206/307

* cited by examiner

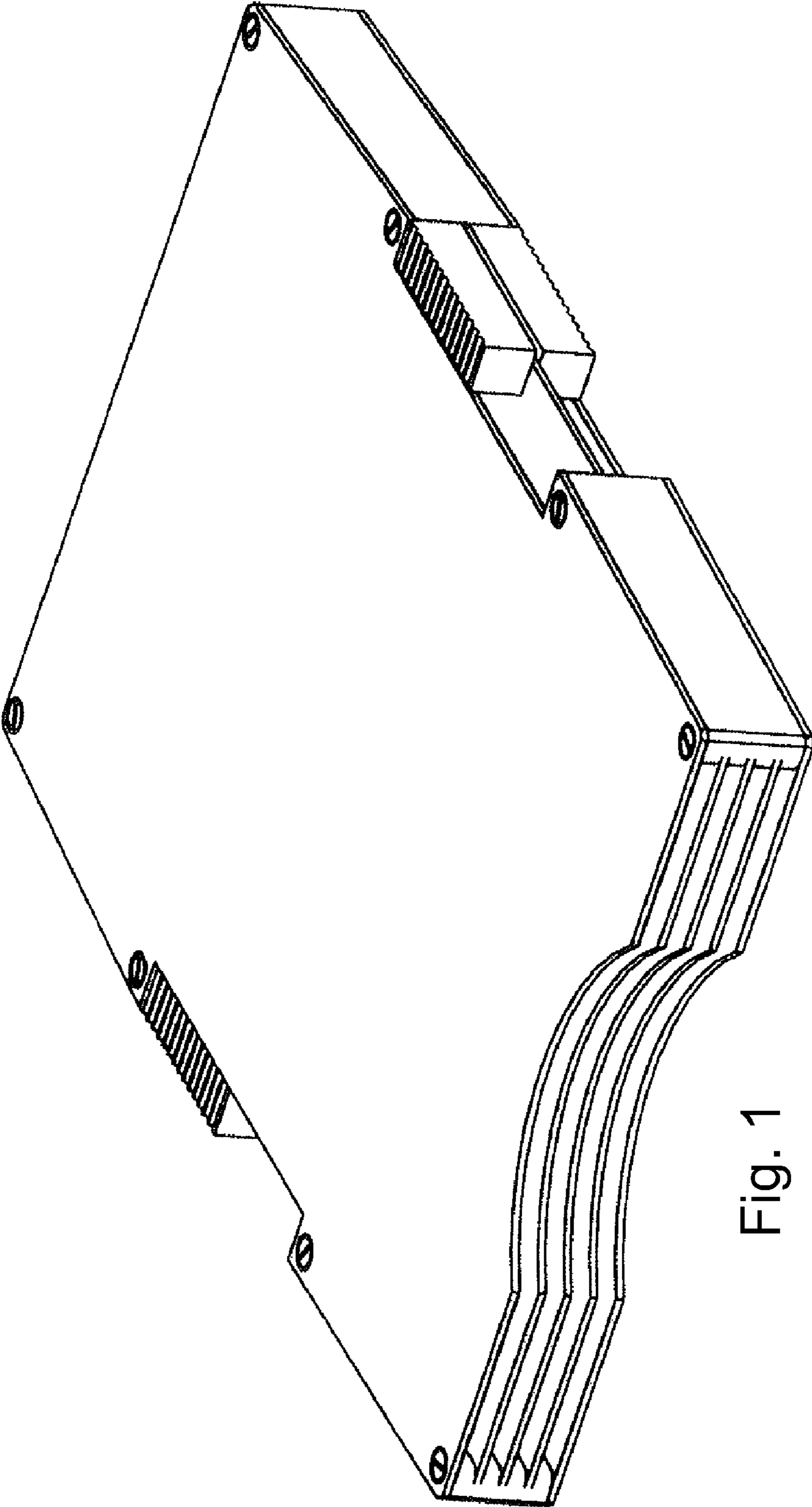


Fig. 1

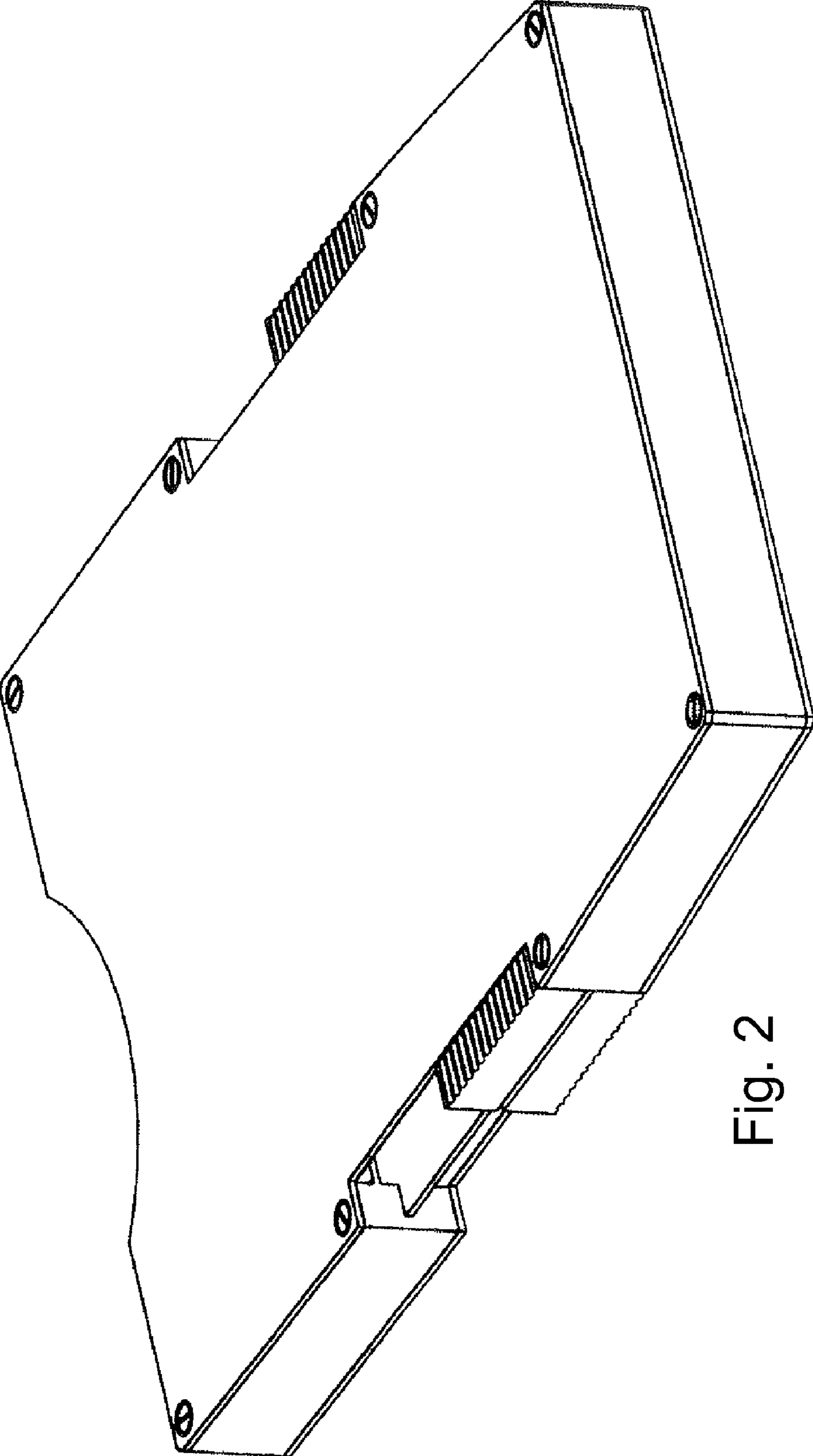


Fig. 2

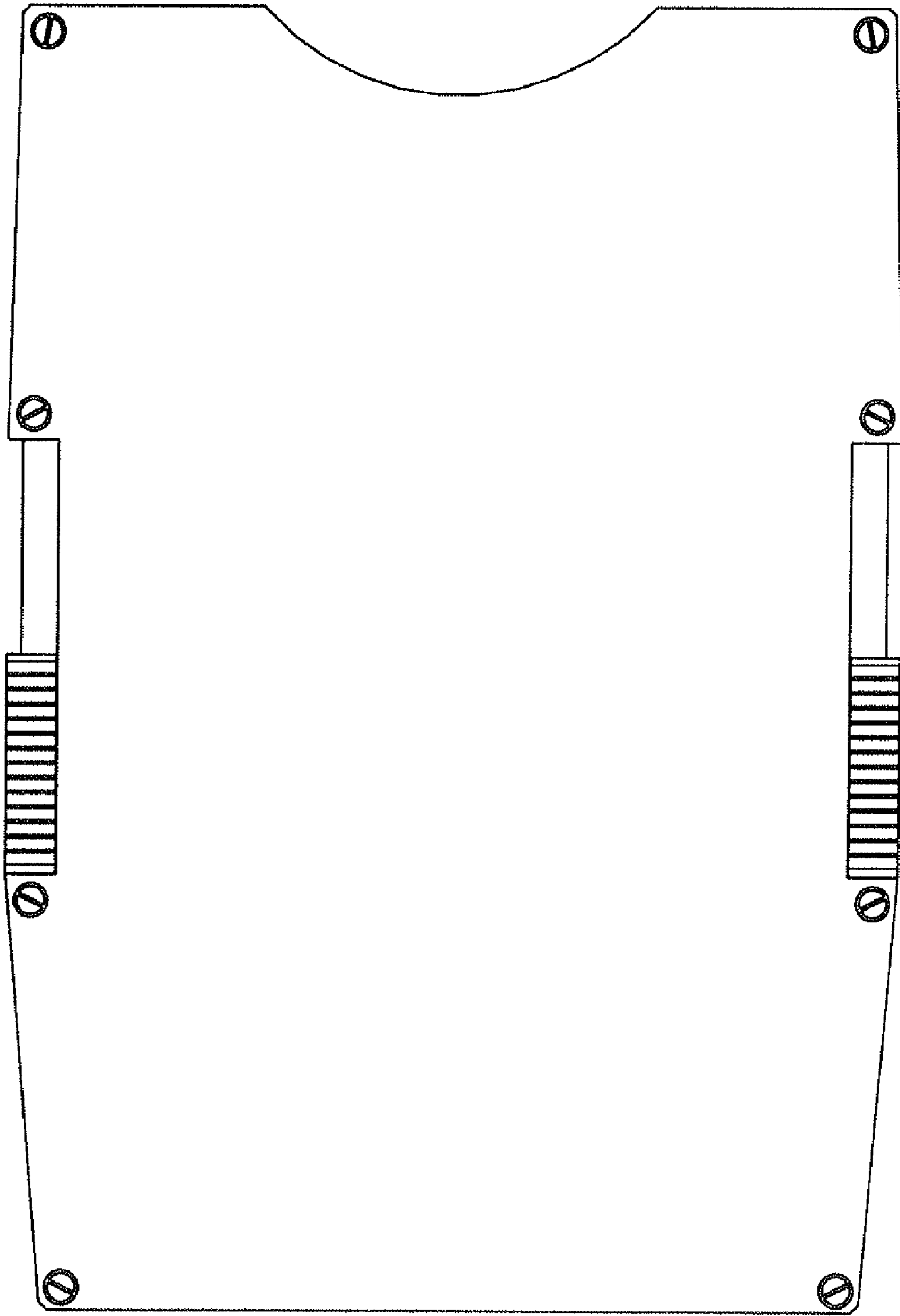


Fig. 3

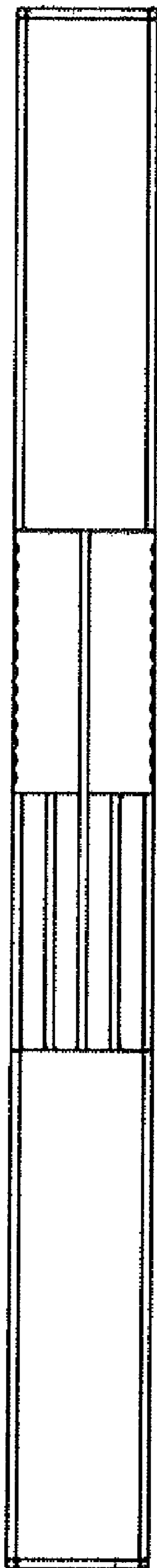


Fig. 4



Fig. 5

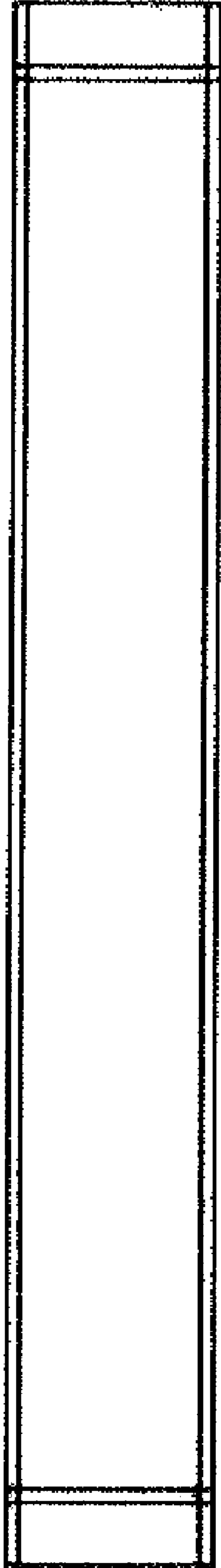


Fig. 6