



US00D632694S

(12) **United States Design Patent**
Dickhoff et al.

(10) **Patent No.:** **US D632,694 S**
(45) **Date of Patent:** **** Feb. 15, 2011**

(54) **HOLDER FOR A MEMORY CARD**
(75) Inventors: **Rolf Dickhoff**, Kirchheim (DE);
Joachim Rink, Esslingen (DE)
(73) Assignee: **Pilz GmbH & Co. KG**, Osfildern (DE)
(**) Term: **14 Years**
(21) Appl. No.: **29/336,610**
(22) Filed: **May 6, 2009**
(30) **Foreign Application Priority Data**

Nov. 11, 2008 (EM) 001036529

(51) **LOC (9) Cl.** **14-02**

(52) **U.S. Cl.** **D14/435**

(58) **Field of Classification Search** D14/435,
D14/436, 437, 438, 432, 356; D3/294, 273,
D3/201, 203.5, 203.6, 284, 295, 903, 203.1,
D3/203.2, 247, 249, 250, 227; D9/414, 422,
D9/424, 430, 432, 415; D28/83, 77, 78;
D6/632, 407, 634, 635, 627-629, 314; 206/38,
206/38.1, 39, 232, 804, 815, 308.1, 308.3,
206/472, 473, 483, 474, 477, 480, 569, 570,
206/482, 485, 486, 320, 305, 307, 307.1,
206/450, 701, 722, 387.1, 387.13, 491, 455,
206/316.1, 316.2, 706, 725, 312, 223, 235,
206/236, 811, 710, 454, 581, 531, 493, 445,
206/311, 823, 574, 37, 39.4, 39.5, 39.6, 39.1,
206/39.3, 776, 709, 449, 555, 807; 206/459.5,
206/556; 361/756, 686, 801, 802, 737, 752,
361/727; 150/147, 149, 150, 900, 131; 235/486,
235/487, 451, 492, 493, 380, 386, 382, 488;
242/378.2, 375, 385.1, 371, 400; 439/630,
439/945, 61, 135, 946; 53/471; 40/642.02,
40/655, 661.07, 765, 1.5, 427, 777, 649,
40/1.6, 666, 661.04, 27.5, 661, 653, 308;
224/277, 929, 162, 269, 191, 254, 255, 274,
224/245, 196; 220/4.22, 526, 281, 315, 326,
220/826, 263, 835, 324, 838, 4.23, 839; 16/361;
215/201; 211/40; 70/276,
58, 63; 190/109,

117,901; 312/244; 402/3, 76; D7/629; D8/339,
330, 331, 343; 292/116, 137, 148, 156, 302,
DIG. 11; 132/293-295, 298, 301, 300; D21/333,
54, 55, 57; D99/34; 24/3.11, 3.12; 403/348;
D20/43; D19/78, 90, 1; 382/124; 356/71;
383/43, 106; 109/23, 24; 283/904; 281/42;
D11/78.1; 174/353, 372, 386, 535; 340/568.7
See application file for complete search history.

(56) **References Cited**

U.S. PATENT DOCUMENTS

D309,161 S * 7/1990 Leung D21/331
D315,902 S * 4/1991 Nakauma D14/435
D376,116 S * 12/1996 Dziersk et al. D10/106
D377,346 S * 1/1997 Karlin D14/426

(Continued)

Primary Examiner—Susan Moon Lee
(74) *Attorney, Agent, or Firm*—Harness, Dickey & Pierce,
P.L.C.

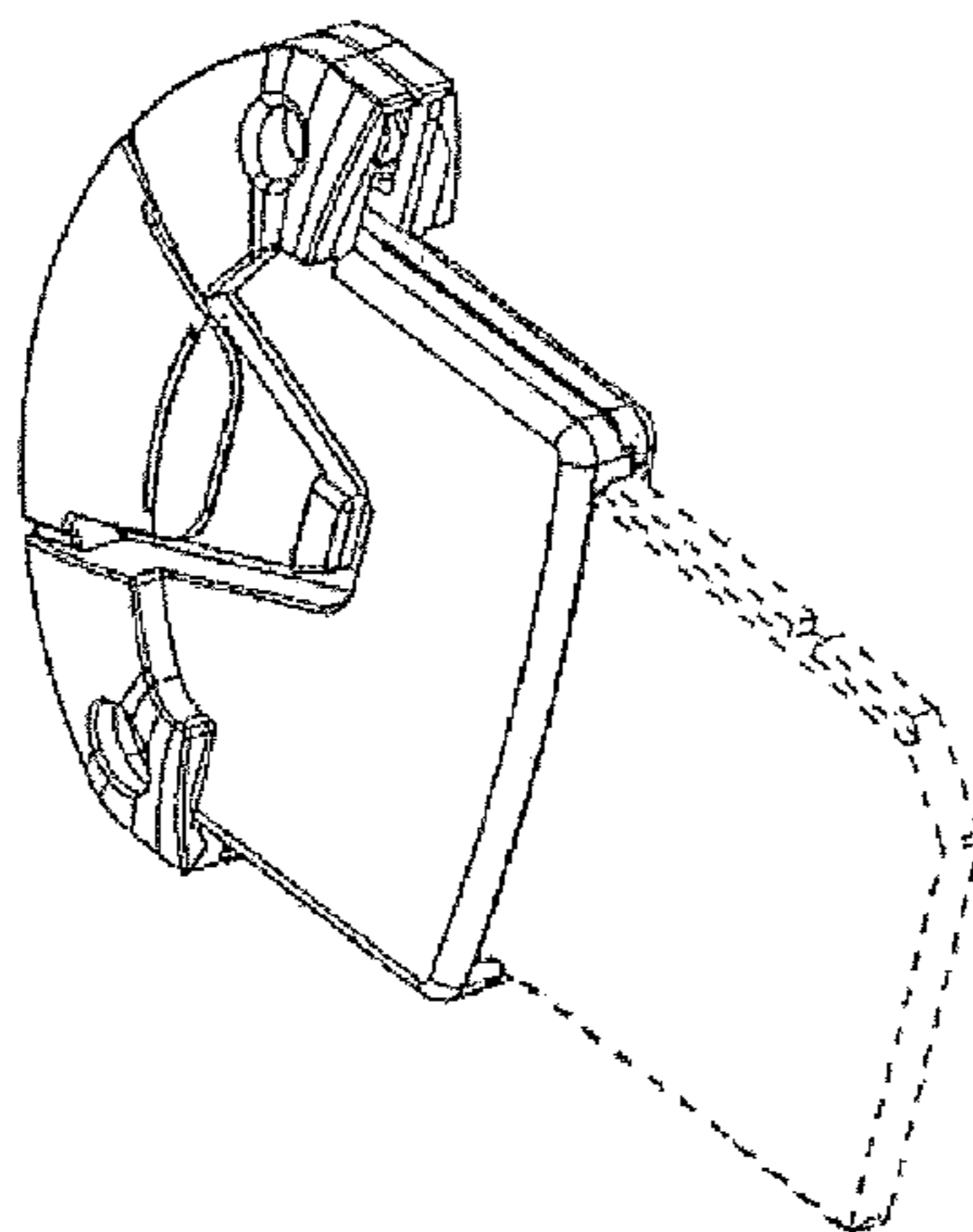
(57) **CLAIM**

The ornamental design for a holder for a memory card, as
shown and described.

DESCRIPTION

FIG. 1 is a perspective view of a holder for a memory card
embodying our new design;
FIG. 2 is a top elevational view of a holder for a memory card;
FIG. 3 is a front side view of a holder for a memory card;
FIG. 4 is a bottom elevational view of a holder for a memory
card;
FIG. 5 is a rear side view of a holder for a memory card;
FIG. 6 is a left side view of a holder for a memory card; and,
FIG. 7 is a right side view of a holder for a memory card.
Any portions shown in broken line are not claimed.

1 Claim, 4 Drawing Sheets



US D632,694 S

Page 2

U.S. PATENT DOCUMENTS

D388,349 S *	12/1997	Youabian	D10/104	6,955,292 B2 *	10/2005	Nakamura et al.	235/375
D392,336 S *	3/1998	Liu	D21/329	D515,956 S *	2/2006	Li	D10/106
5,752,857 A *	5/1998	Knights	439/638	D521,445 S *	5/2006	Liu	D13/103
D415,479 S *	10/1999	Yang et al.	D14/436	D526,650 S *	8/2006	Hayes et al.	D14/480.1
D425,045 S *	5/2000	Ting	D14/438	D535,995 S *	1/2007	Orthey	D14/385
D432,540 S *	10/2000	Laity et al.	D14/436	D547,761 S *	7/2007	Hui	D14/433
D434,417 S *	11/2000	Lin	D14/435	D549,708 S *	8/2007	Phillips et al.	D14/435
D437,314 S *	2/2001	DeLeon	D14/242	D555,653 S *	11/2007	Tseng	D14/435
D452,863 S *	1/2002	Madsen et al.	D14/433	D558,210 S *	12/2007	Tseng et al.	D14/435
D453,515 S *	2/2002	Brewer et al.	D14/436	D581,420 S *	11/2008	Hsu	D14/436
D461,476 S *	8/2002	Evers et al.	D14/433	7,460,170 B2 *	12/2008	Gardiner et al.	348/372
D473,234 S *	4/2003	Hussaini et al.	D14/436	7,492,601 B2 *	2/2009	Salazar et al.	361/752
D478,087 S *	8/2003	Aldridge	D14/433	D591,753 S *	5/2009	Nakano et al.	D14/436
D486,482 S *	2/2004	Huang	D14/242	D612,385 S *	3/2010	Aoki	D14/453
D491,191 S *	6/2004	Wen et al.	D14/496	7,787,243 B2 *	8/2010	Salazar et al.	361/679.31
D498,759 S *	11/2004	Lewis et al.	D14/436	2002/0177362 A1 *	11/2002	Chang	439/638
D504,894 S *	5/2005	Soto	D14/435	2004/0056956 A1 *	3/2004	Gardiner et al.	348/207.1
D509,219 S *	9/2005	Avery	D14/435	2007/0274117 A1 *	11/2007	Salazar et al.	365/52

* cited by examiner

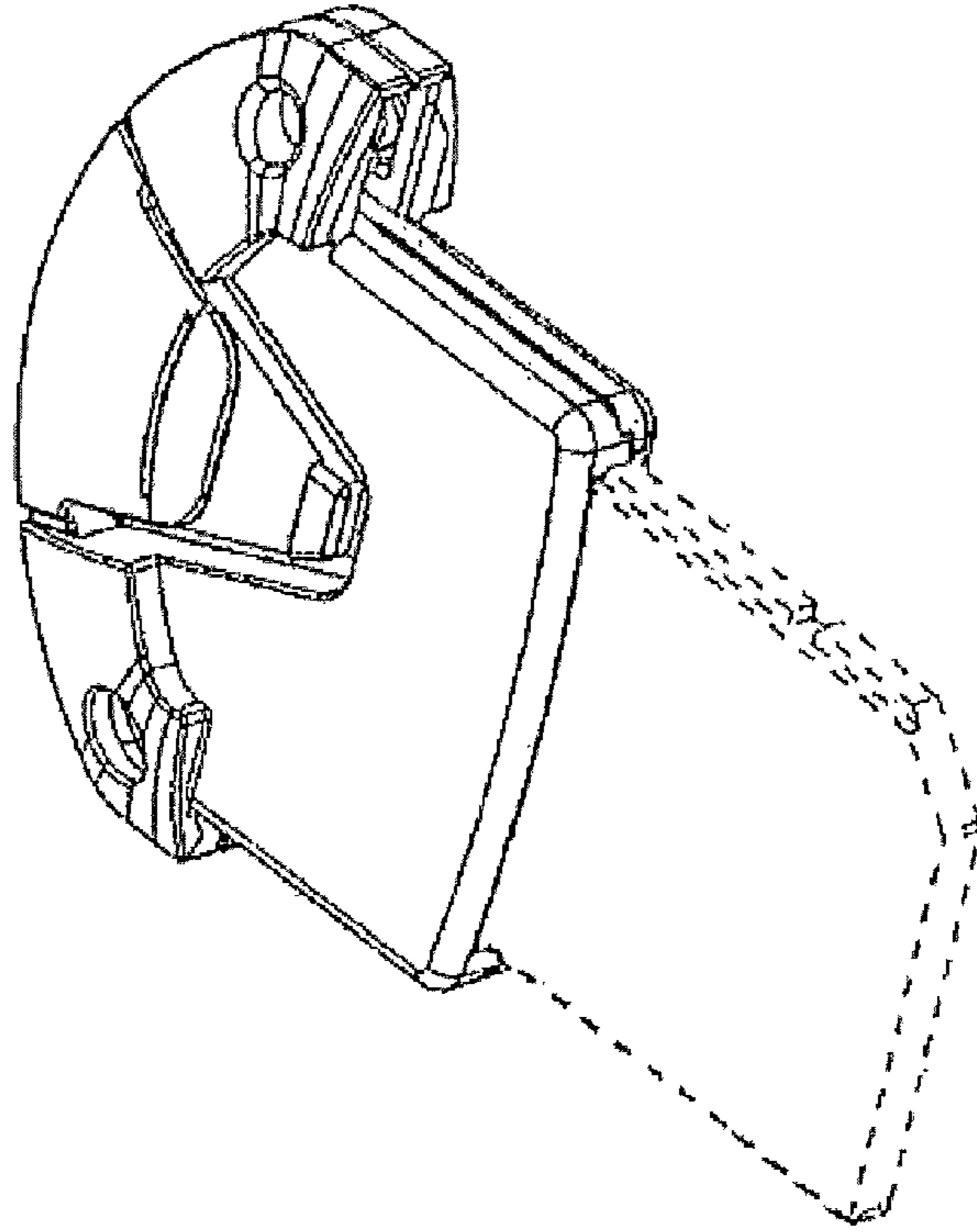


Figure 1

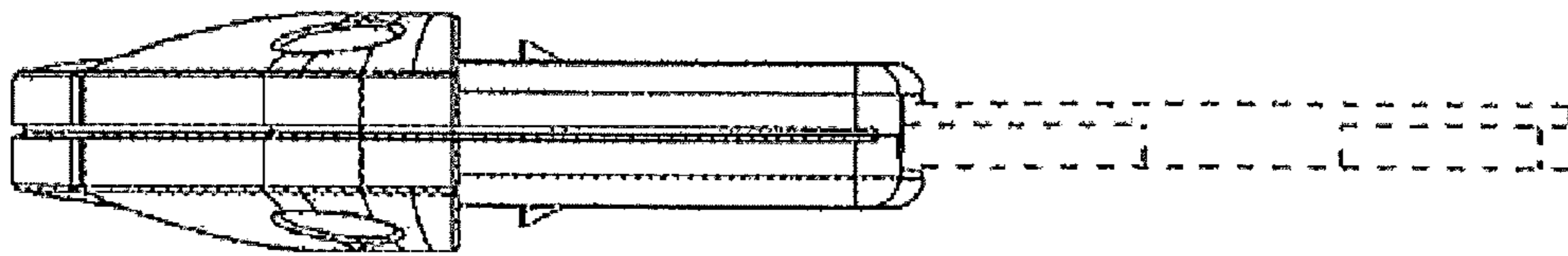


Figure 3

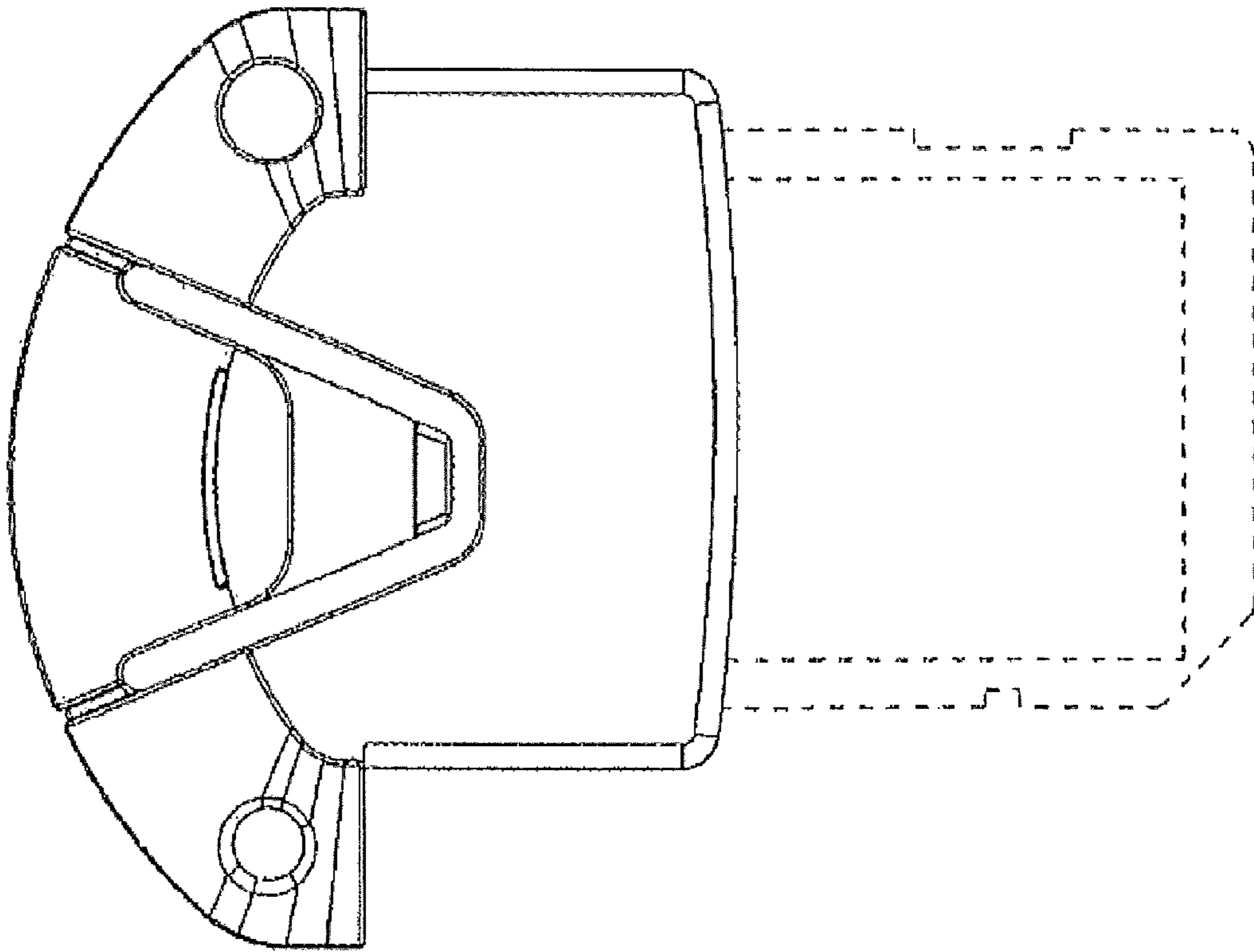


Figure 2

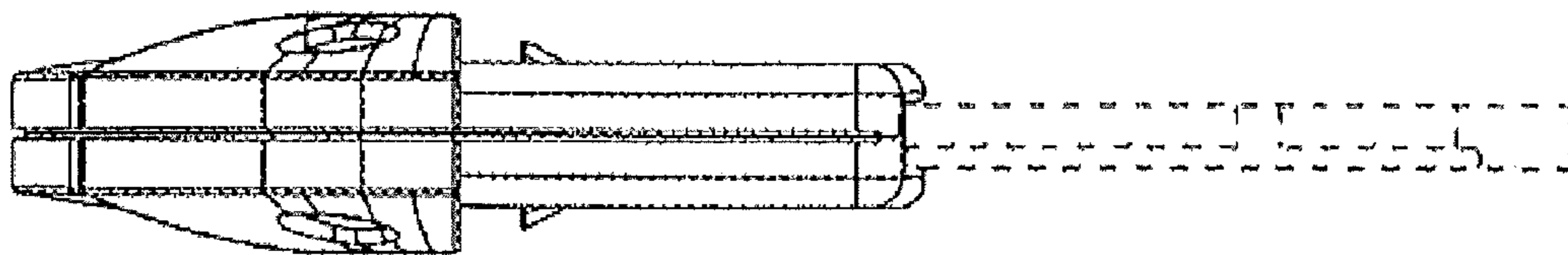


Figure 5

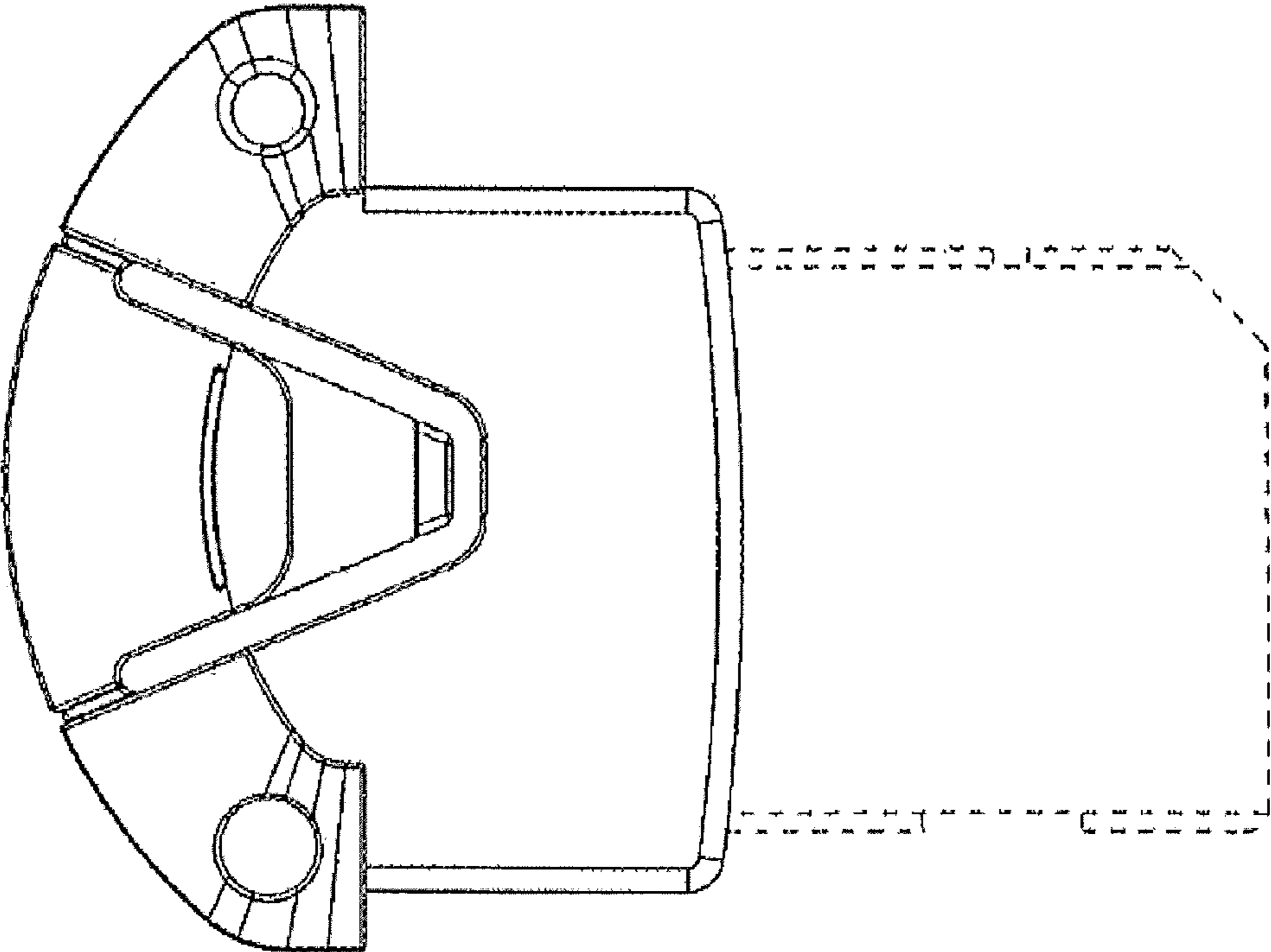


Figure 4

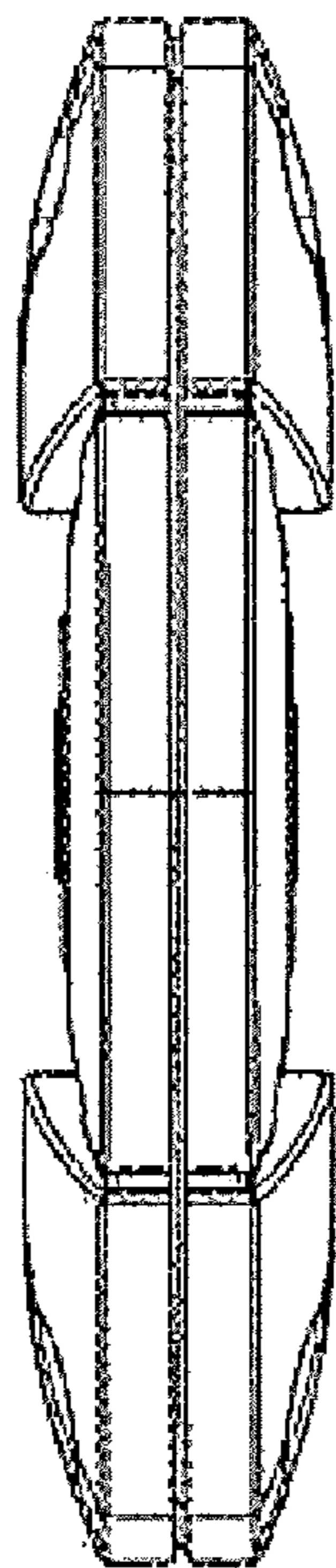


Figure 6

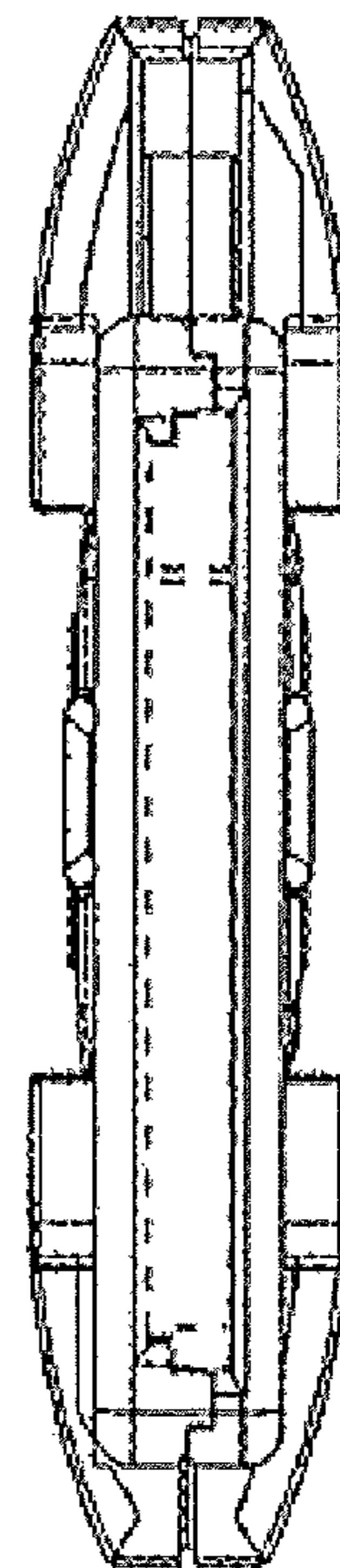


Figure 7