



US00D632689S

(12) **United States Design Patent**
Busri et al.

(10) **Patent No.:** **US D632,689 S**

(45) **Date of Patent:** **** Feb. 15, 2011**

(54) **APPARATUS TO ENCRYPT AND
DISTRIBUTE DATA FOR SECURITY
APPLICATIONS**

Primary Examiner—Cathron C Brooks
Assistant Examiner—Karen E Kearney
(74) *Attorney, Agent, or Firm*—Butzel Long

(75) Inventors: **Saharudin Busri**, Kuala Lumpur (MY);
Wong Seck Jiong, Kuala Lumpur (MY)

(57) **CLAIM**

(73) Assignee: **Mimos Berhad**, Kuala Lumpur (MY)

The ornamental design for the apparatus to encrypt and distribute data for security applications, as shown and described.

(**) Term: **14 Years**

(21) Appl. No.: **29/346,848**

DESCRIPTION

(22) Filed: **Nov. 6, 2009**

(51) **LOC (9) Cl.** **14-02**

FIG. 1 is a perspective view, taken from the top, of an apparatus to encrypt and distribute data for security applications according to an exemplary embodiment of the present invention;

(52) **U.S. Cl.** **D14/356; D14/313**

FIG. 2 is a perspective view, taken from the bottom, of the apparatus to encrypt and distribute data for security applications of the embodiment of FIG. 1;

(58) **Field of Classification Search** D14/300–302,
D14/313, 314, 341, 348–370, 383, 385, 432,
D14/435, 436, 496, 125, 135, 137, 155, 167,
D14/168, 214, 230, 231, 233, 235, 237, 240–242,
D14/299; D3/201, 273; D18/56; D10/65,
D10/75, 78; D13/103, 149, 162, 184, 199;
361/679.31–679.45, 752; 711/100, 115

FIG. 3 is a top plan view of the apparatus to encrypt and distribute data for security applications of the embodiment of FIG. 1;

See application file for complete search history.

FIG. 4 is a left-side elevational view of the apparatus to encrypt and distribute data for security applications of the embodiment of FIG. 1;

(56) **References Cited**

U.S. PATENT DOCUMENTS

D301,140	S	*	5/1989	Satherley	D14/354
D338,659	S	*	8/1993	Clark et al.	D14/355
D342,954	S	*	1/1994	Lindeman	D14/258
D360,637	S	*	7/1995	Arie	D14/214
D404,383	S	*	1/1999	Chang	D14/367
6,469,904	B1	*	10/2002	Vigeant et al.	361/752
7,012,815	B2	*	3/2006	Garnett et al.	361/825
D527,390	S	*	8/2006	Millar et al.	D14/496
D536,674	S	*	2/2007	Millar et al.	D13/184
D546,785	S	*	7/2007	Mathews et al.	D14/125
D553,616	S	*	10/2007	Tosh et al.	D14/301
D557,680	S	*	12/2007	Corsini	D14/168
D558,158	S	*	12/2007	Ding et al.	D14/125
D559,239	S	*	1/2008	Lee et al.	D14/257
7,451,462	B2	*	11/2008	Lo	720/601

FIG. 5 is a front elevational view of the apparatus to encrypt and distribute data for security applications of the embodiment of FIG. 1;

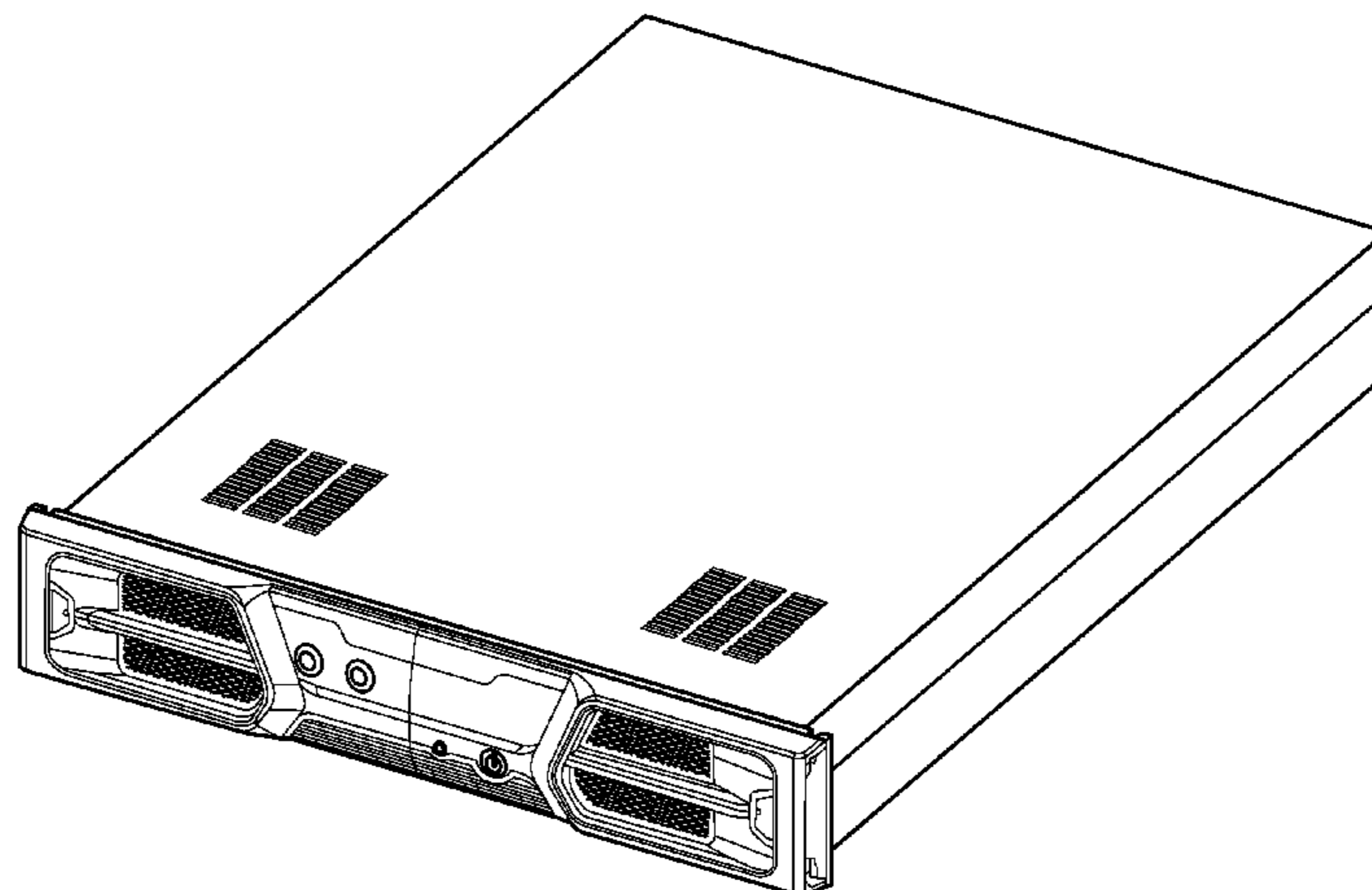
FIG. 6 is a right-side elevational view of the apparatus to encrypt and distribute data for security applications of the embodiment of FIG. 1;

FIG. 7 is a rear elevational view of the apparatus to encrypt and distribute data for security applications of the embodiment of FIG. 1; and,

FIG. 8 is a bottom plan view of the apparatus to encrypt and distribute data for security applications of the embodiment of FIG. 1.

(Continued)

1 Claim, 6 Drawing Sheets



US D632,689 S

Page 2

U.S. PATENT DOCUMENTS				
		2002/0106919 A1*	8/2002 Behl 439/136	
		2005/0034160 A1*	2/2005 Kim et al. 725/80	
D585,441 S *	1/2009 Alfonso et al.	D14/313	2006/0193110 A1*	8/2006 Chan et al. 361/683
D593,102 S *	5/2009 Dearborn et al.	D14/445	2007/0236897 A1*	10/2007 Chen 361/752
D593,565 S *	6/2009 Dearborn et al.	D14/445	* cited by examiner	

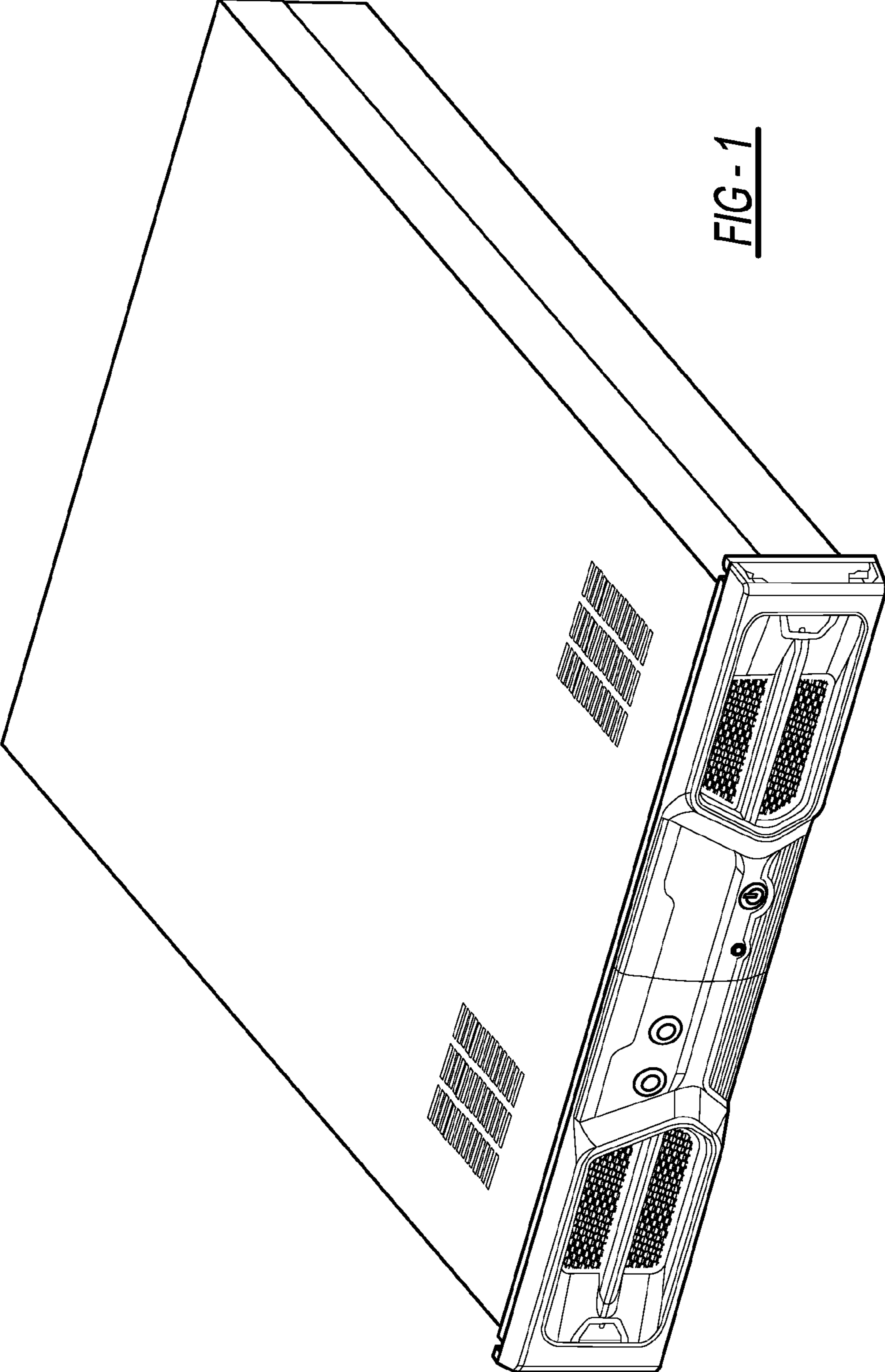


FIG - 1

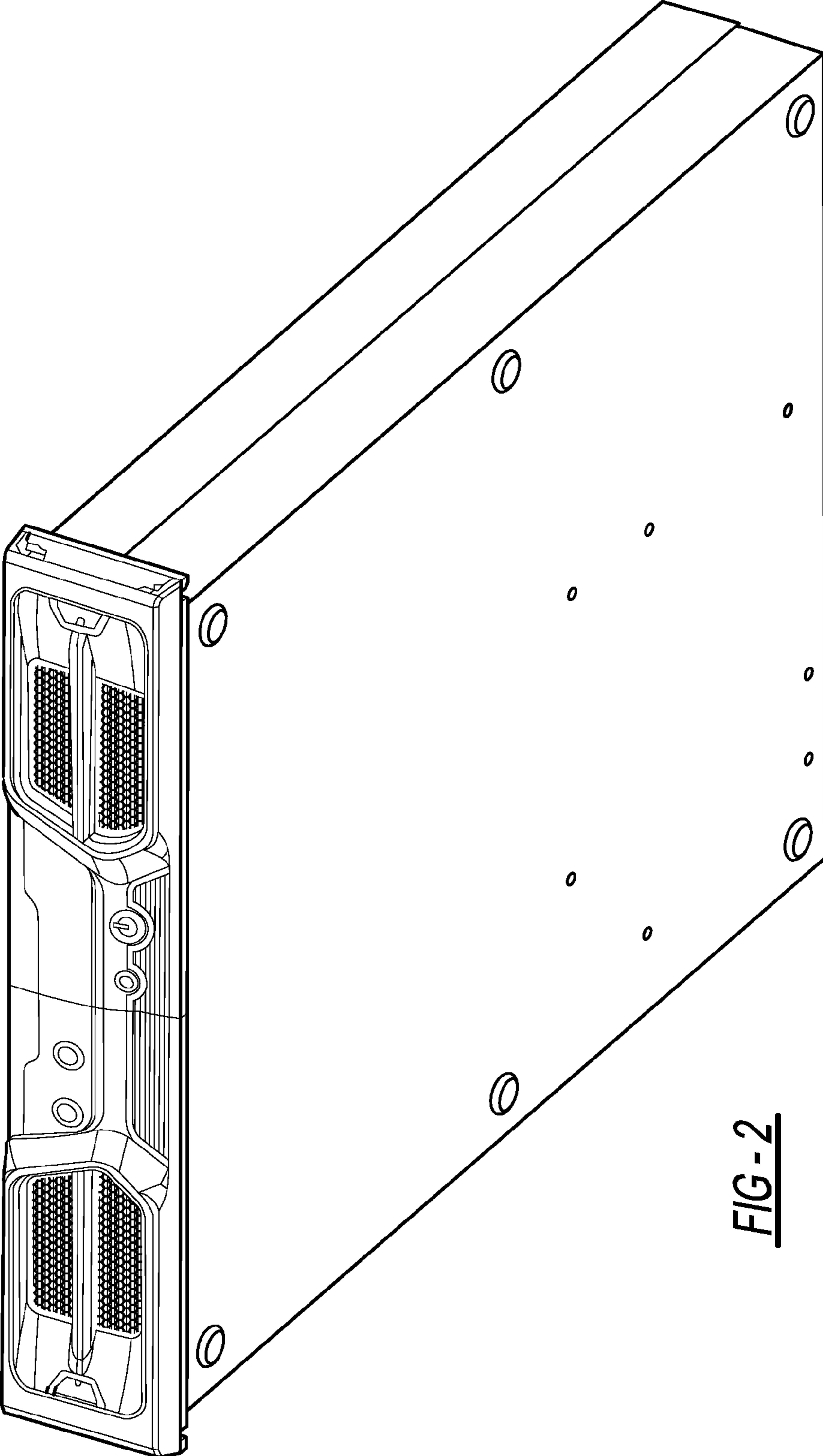


FIG-2

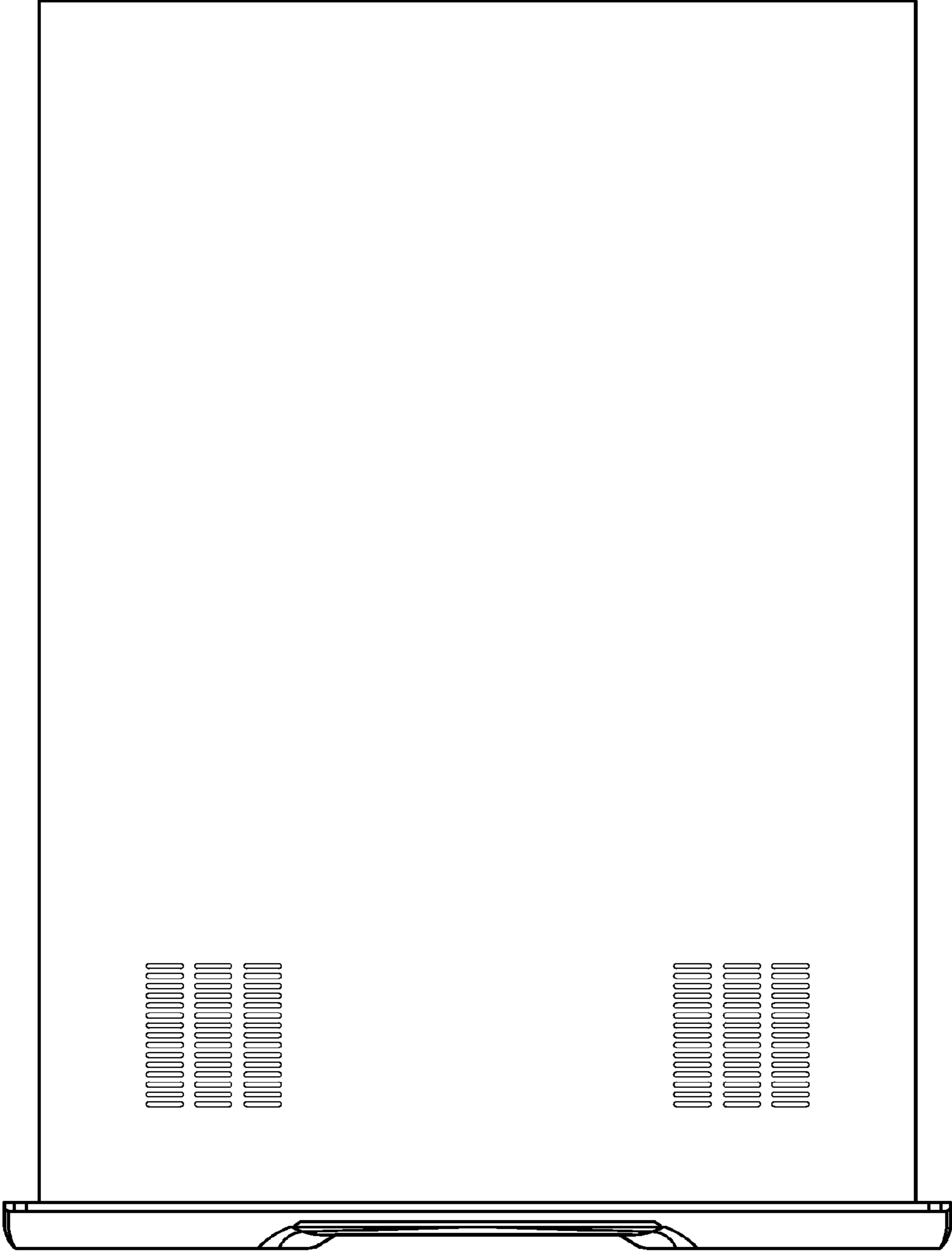


FIG - 3

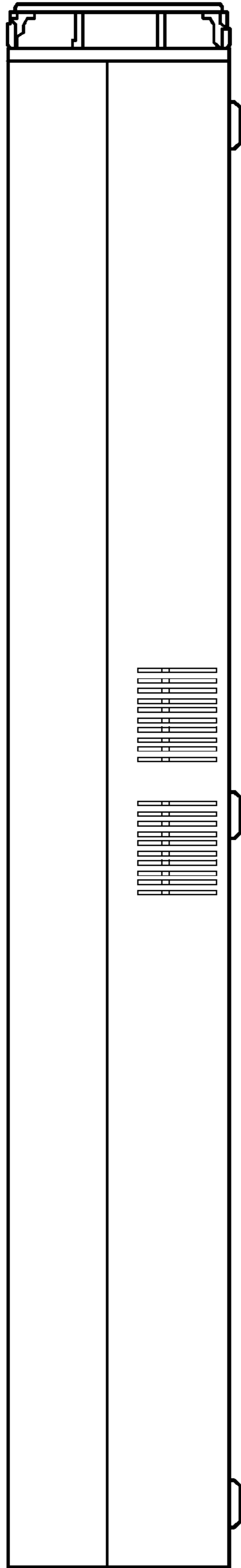


FIG - 4

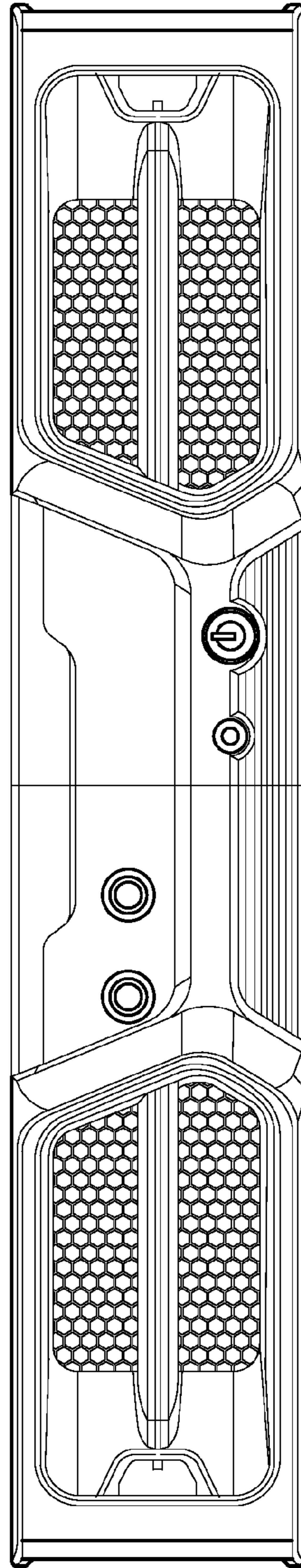


FIG - 5

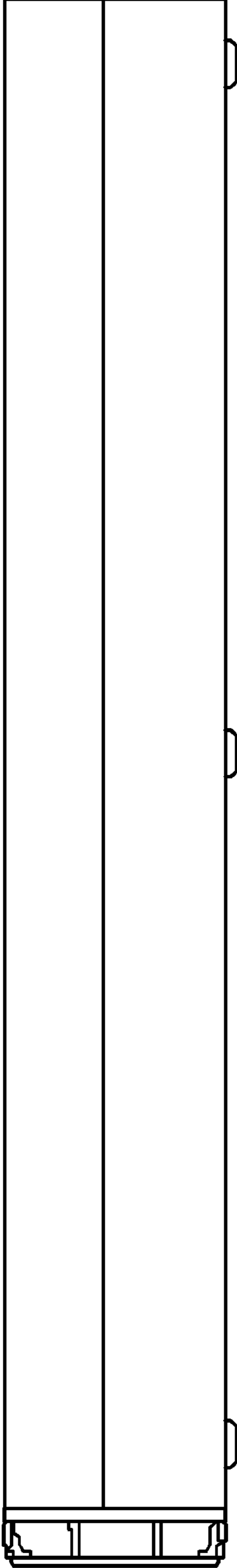


FIG-6

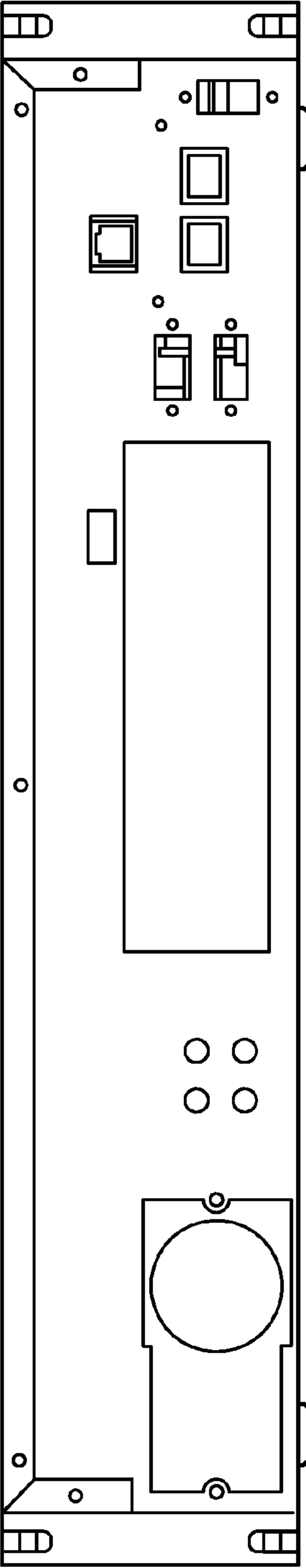


FIG-7

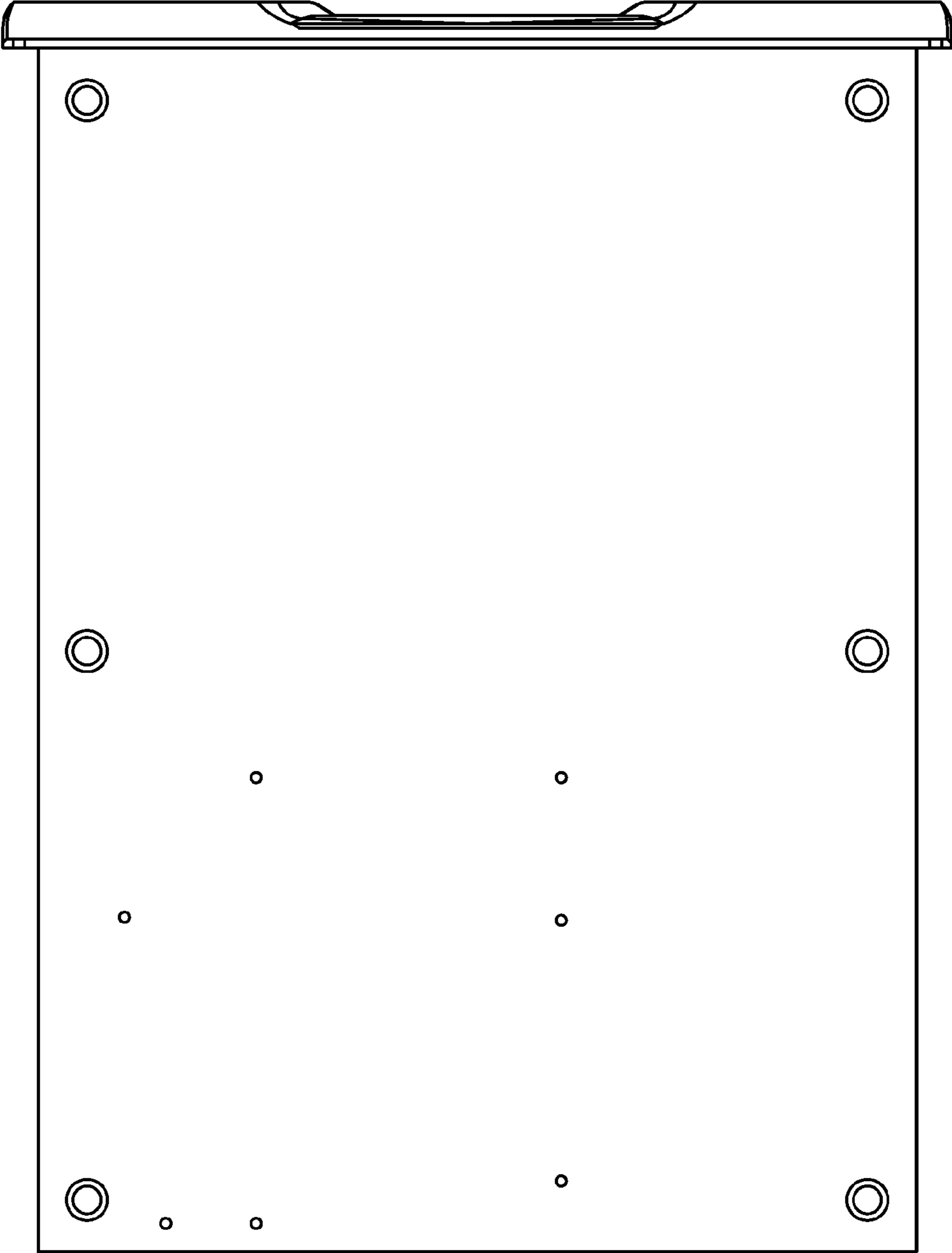


FIG - 8