



US00D632684S

(12) **United States Design Patent**
Richardson et al.

(10) **Patent No.:** **US D632,684 S**

(45) **Date of Patent:** **** Feb. 15, 2011**

(54) **CASE**

(75) Inventors: **Curtis Richardson**, Fort Collins, CO (US); **Jamie Johnson**, Fort Collins, CO (US); **Stephen Willes**, Fort Collins, CO (US); **Cameron Magness**, Fort Collins, CO (US)

(73) Assignee: **Otter Products, LLC**, Fort Collins, CO (US)

(**) Term: **14 Years**

(21) Appl. No.: **29/361,974**

(22) Filed: **May 18, 2010**

(51) **LOC (9) Cl.** **14-03**

(52) **U.S. Cl.** **D14/250**

(58) **Field of Classification Search** D14/203.1, D14/203.3, 250–253, 358, 440, 450, 140, D14/142, 167, 217, 218, 240, 242, 248, 299; D3/201, 218, 269, 301, 273; D13/103, 107–108, D13/119; 220/4.02; 224/191, 240, 241, 224/245, 682–683; 248/309.1; 361/679.3, 361/679.56; 379/420.04, 426, 433.11, 446–447, 379/454, 455; 455/575.1, 575.6, 575.7, 575.8, 455/575.9; 190/100; 206/305, 320

See application file for complete search history.

(56) **References Cited**

U.S. PATENT DOCUMENTS

- D484,874 S * 1/2004 Chang et al. D14/250
- D556,681 S * 12/2007 Kim D13/103
- D565,291 S * 4/2008 Brandenburg et al. D3/218
- D597,089 S * 7/2009 Khan et al. D14/250
- D600,908 S * 9/2009 Richardson et al. D3/218
- D603,389 S * 11/2009 Khan et al. D14/250
- D603,603 S * 11/2009 Laine et al. D3/218
- 7,612,997 B1 * 11/2009 Diebel et al. 361/679.56

- D606,528 S * 12/2009 Khan et al. D14/250
- D606,529 S * 12/2009 Ferrari et al. D14/250
- D609,228 S * 2/2010 Ferrari et al. D14/250
- D609,463 S * 2/2010 Bullen D3/218
- D613,282 S * 4/2010 Richardson et al. D14/250

(Continued)

OTHER PUBLICATIONS

BlackBerry Pearl 9100 Commuter Series Strength Case, <URL:http://www.otterbox.com/pdfs/rbb4-9100s-info.pdf>, retrieved from internet Sep. 30, 2010.*

(Continued)

Primary Examiner—Robert M Spear
Assistant Examiner—Carla Jobe Wright

(57) **CLAIM**

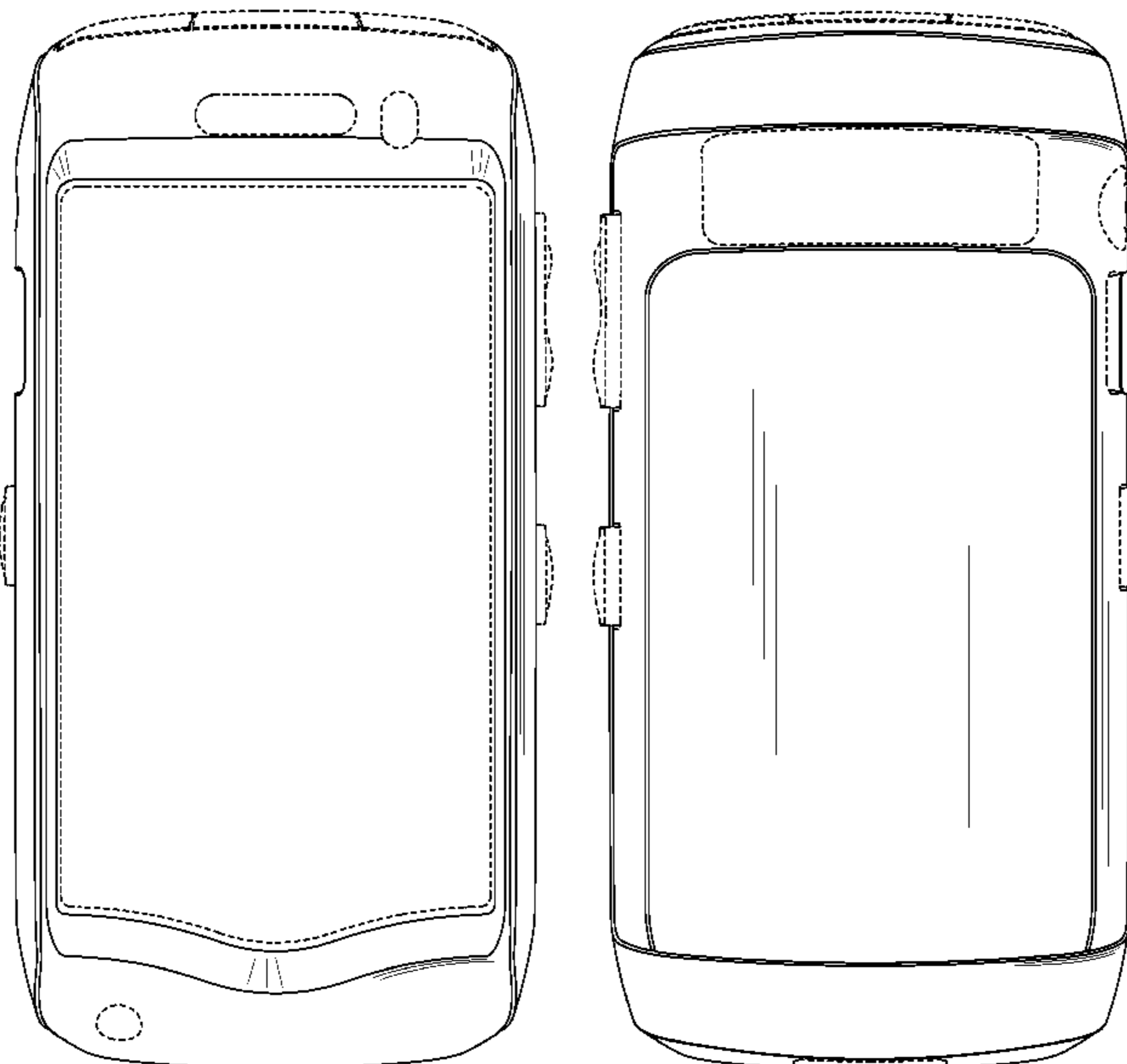
The ornamental design for a case, as shown and described.

DESCRIPTION

FIG. 1 is an isometric view of a case showing our new design; FIG. 2 is an isometric view thereof; FIG. 3 is a front view thereof; FIG. 4 is a rear view thereof; FIG. 5 is a left view thereof; FIG. 6 is a right view thereof; FIG. 7 is a top view thereof; and, FIG. 8 is a bottom view thereof.

The broken line perimeter of the large unshaded rectangular region on the front of the case in FIGS. 1 and 3 represents a boundary of the claimed design. All other broken lines depict unclaimed environment. The broken lines and unshaded regions bounded by broken lines form no part of the claimed design.

1 Claim, 6 Drawing Sheets



US D632,684 S

Page 2

U.S. PATENT DOCUMENTS

D615,077 S * 5/2010 Richardson et al. D14/250
D615,535 S * 5/2010 Richardson et al. D14/250
D617,784 S * 6/2010 Richardson et al. D14/250
D617,785 S * 6/2010 Richardson et al. D14/250
D617,786 S * 6/2010 Richardson et al. D14/250
D618,231 S * 6/2010 Fahrendorff et al. D14/250
D619,573 S * 7/2010 Khan et al. D14/250
D620,487 S * 7/2010 Richardson et al. D14/250
D621,394 S * 8/2010 Richardson et al. D14/250
D621,822 S * 8/2010 Richardson et al. D14/250
D623,179 S * 9/2010 Richardson et al. D14/250
D624,533 S * 9/2010 Richardson et al. D14/250

2010/0104814 A1* 4/2010 Richardson et al. 428/156

OTHER PUBLICATIONS

HTC myTouch 3G Slide Commuter Series Case, <URL:<http://www.otterbox.com/htc-cases/htc-mytouch-3g-slide-cases/htc-mytouch-3g-slide-commuter-series-case/>>, retrieved from internet Sep. 30, 2010.*

HTC Hero Impact Series Case, <URL:<http://www.otterbox.com/pdfs/htc1-hero1-info.pdf>>, retrieved from internet Sep. 30, 2010.*

Samsung Mythic Commuter Series Case, <URL:<http://www.otterbox.com/pdfs/sam4-mythi-info.pdf>>, retrieved from internet Sep. 30, 2010.*

HTC Droid Eris S6200 Silicone Case, Rubber Skin—Light Blue, <URL:<http://www.accessorygeeks.com/htc-droid-eris-s6200-silicone-case-light-blue.html>>, retrieved from internet Sep. 30, 2010.*

* cited by examiner

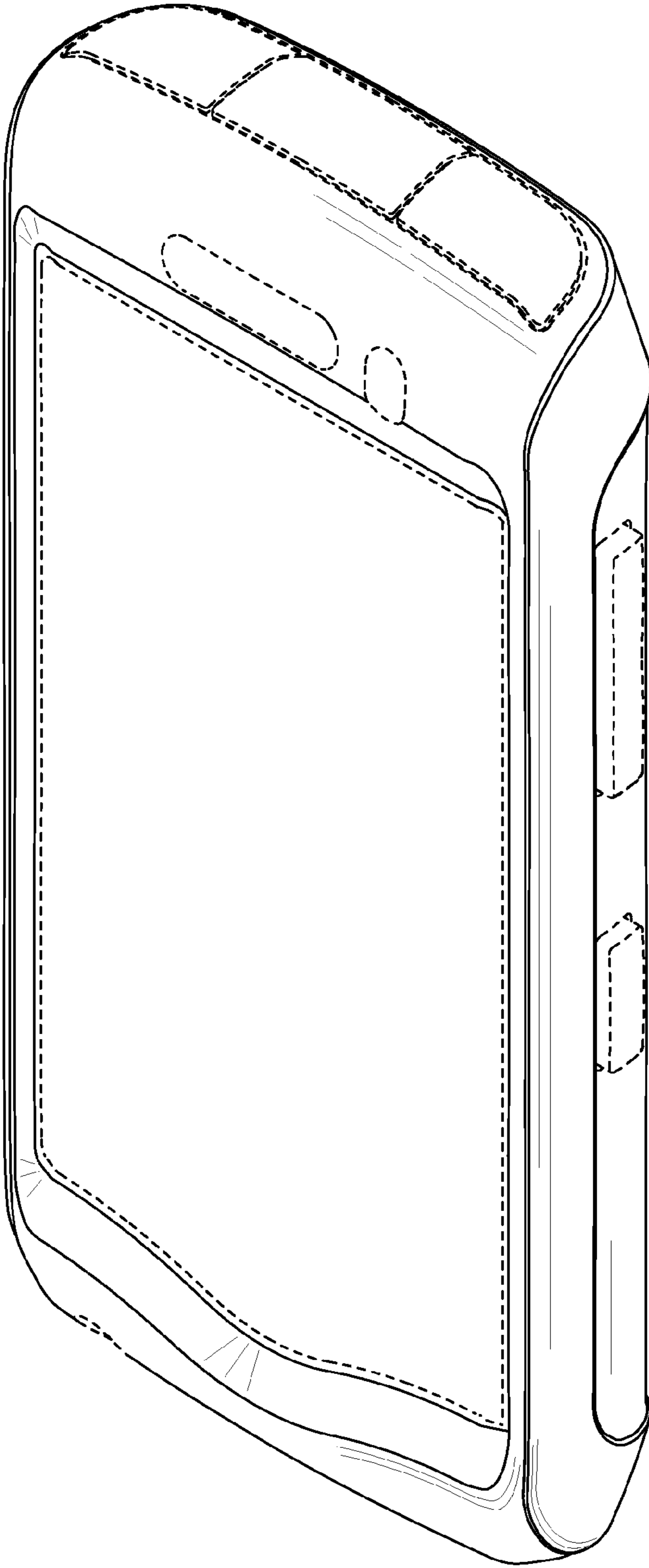


FIG. 1

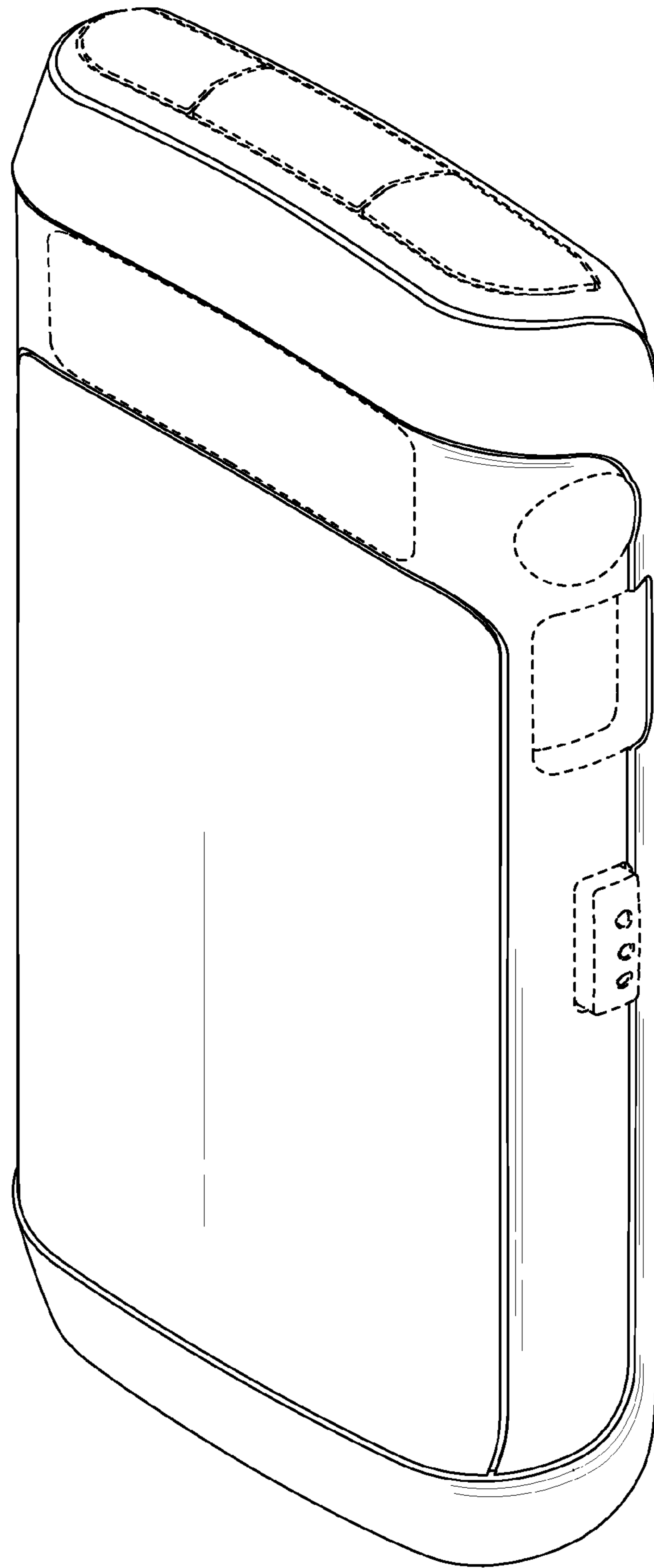


FIG. 2

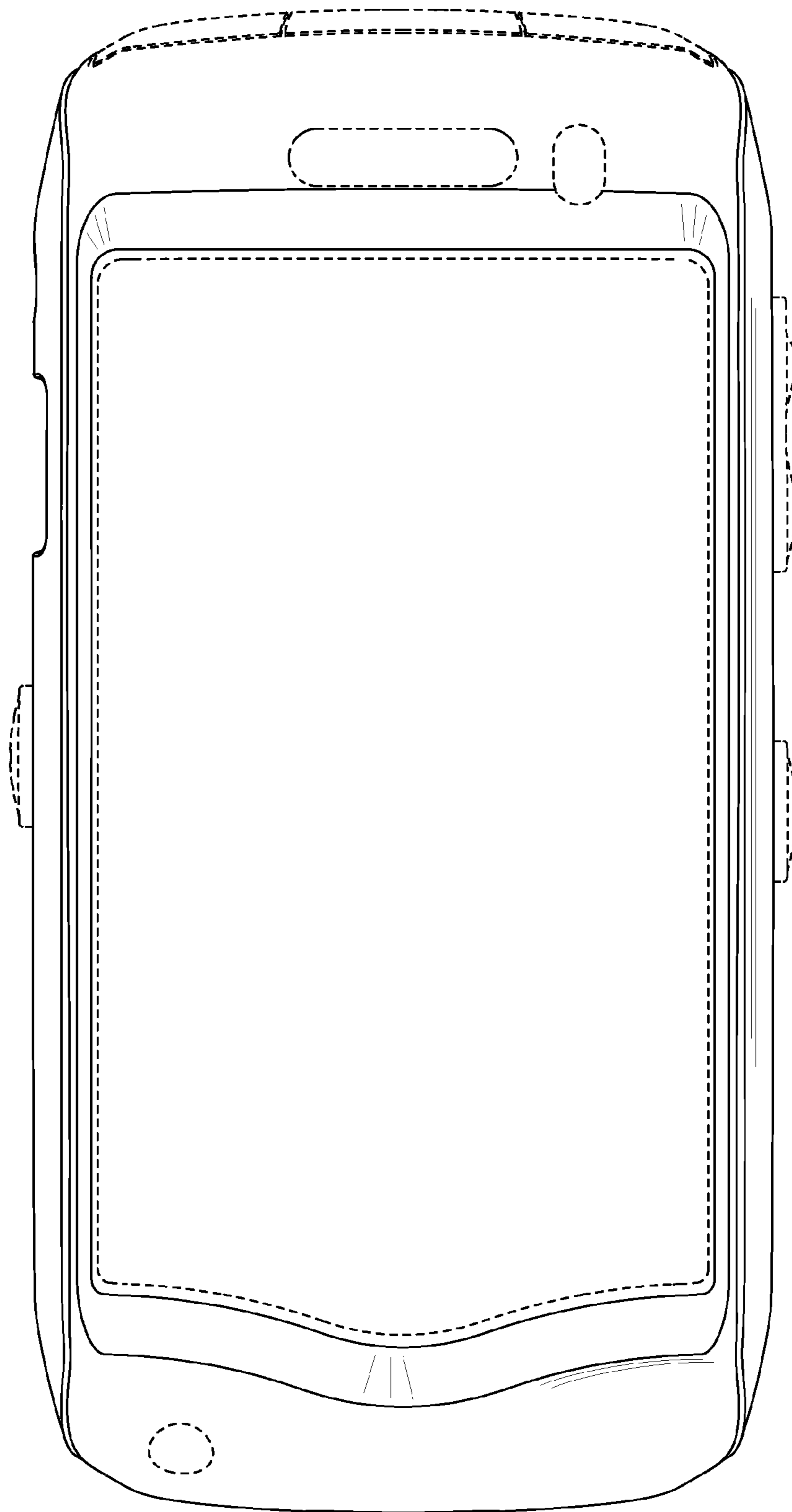


FIG. 3

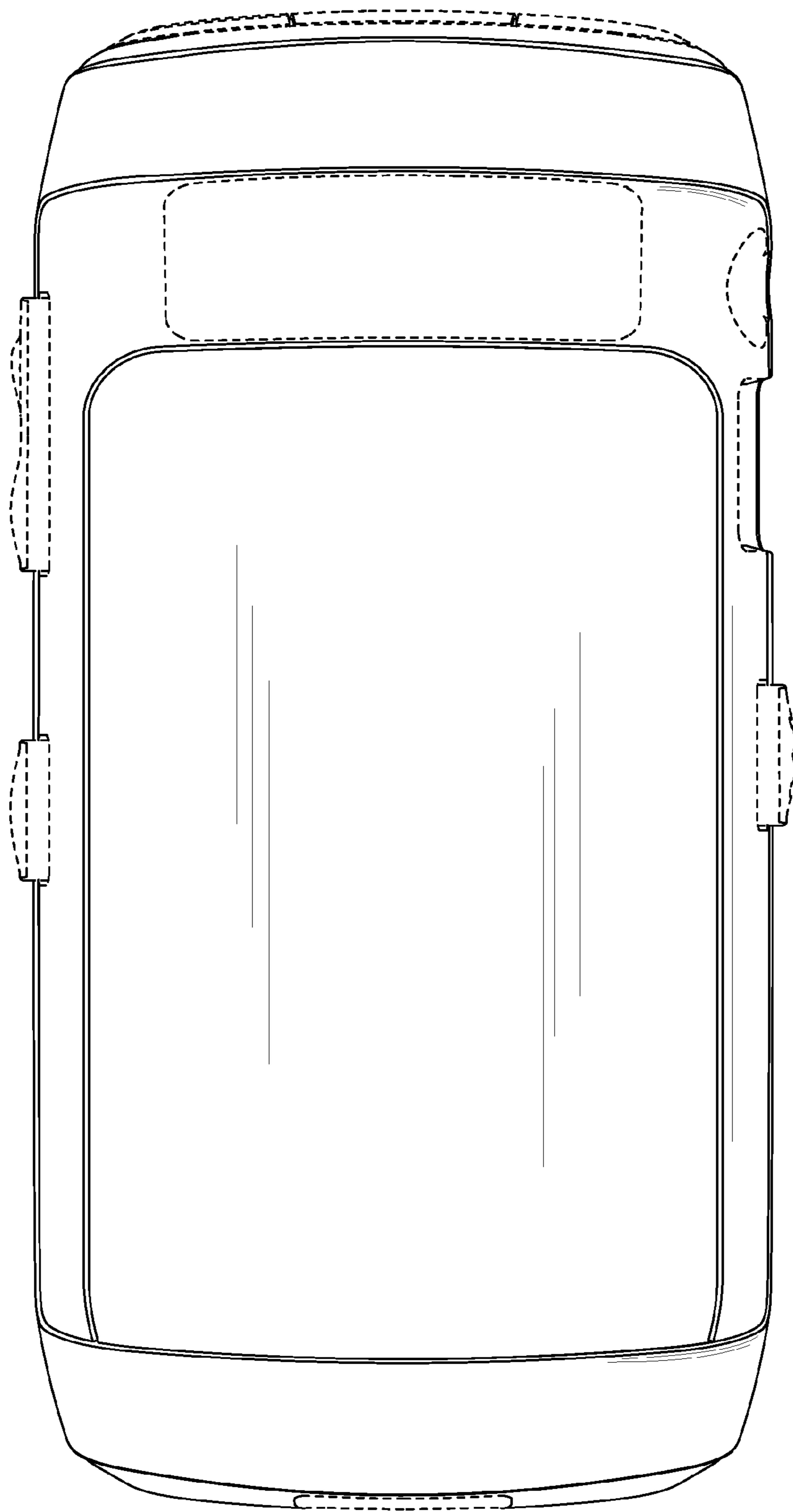


FIG. 4

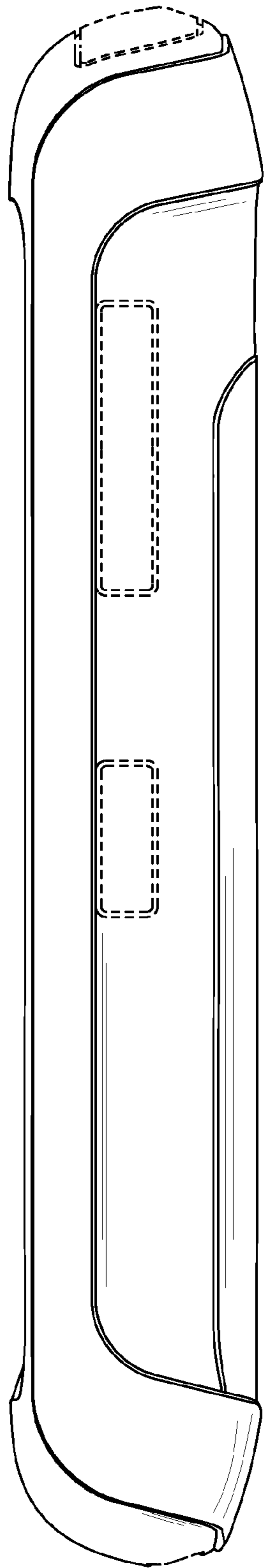


FIG. 5

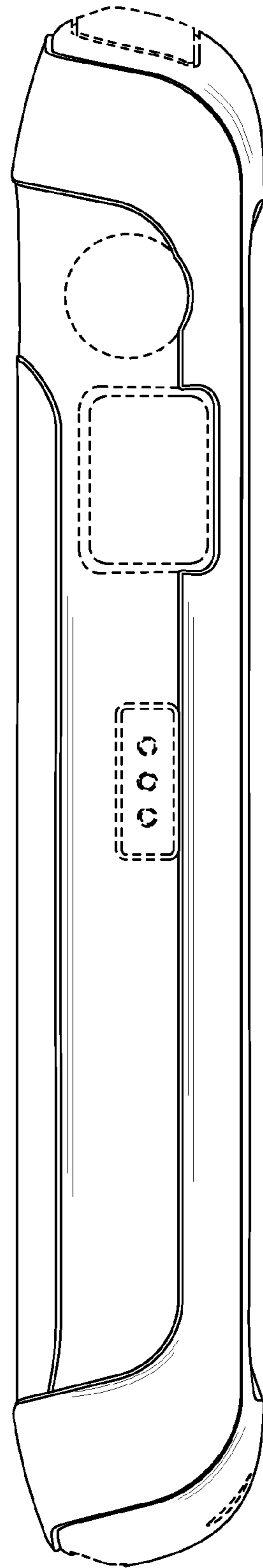


FIG. 6

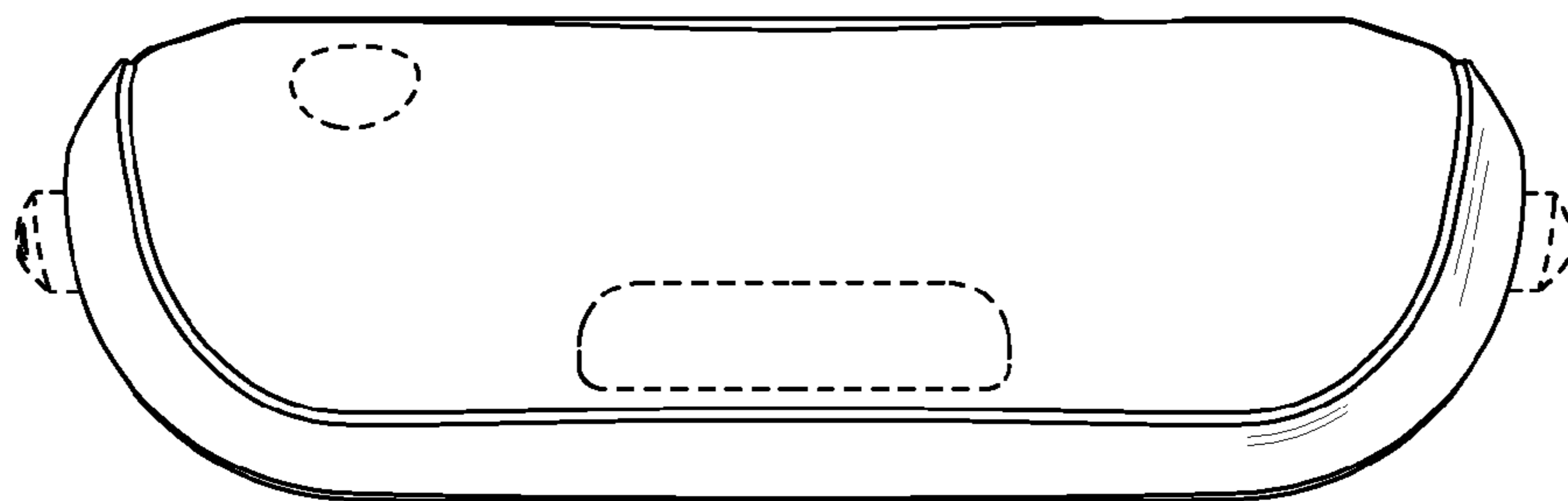


FIG. 7

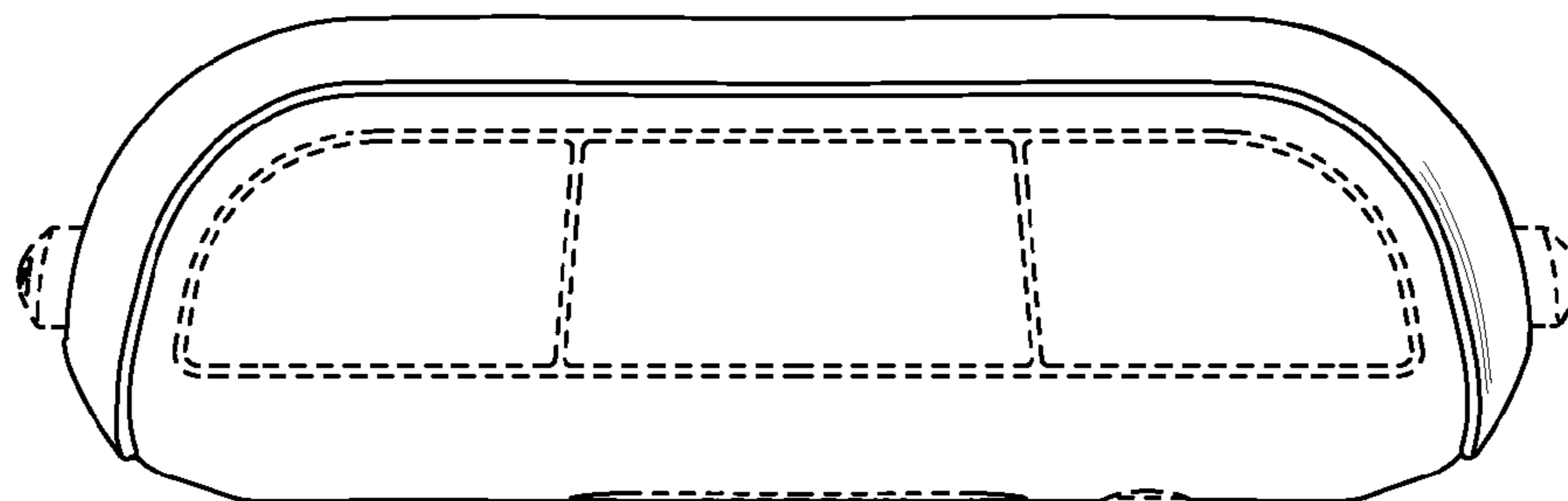


FIG. 8