



US00D632681S

(12) **United States Design Patent**
Yu et al.

(10) **Patent No.:** **US D632,681 S**
(45) **Date of Patent:** **** Feb. 15, 2011**

(54) **MULTI-BAND ANTENNA**

(75) Inventors: **Chao-Hui Yu**, Taipei (TW); **Kai Shih**, Taipei (TW)

(73) Assignee: **Cheng Uei Precision Industry Co., Ltd.**, Taipei (TW)

(**) Term: **14 Years**

(21) Appl. No.: **29/368,862**

(22) Filed: **Aug. 31, 2010**

(51) **LOC (9) Cl.** **14-03**

(52) **U.S. Cl.** **D14/230**

(58) **Field of Classification Search** D14/138, D14/230-238, 299, 358; D12/42, 43; 343/700 MS, 343/700 R-705, 711-713, 741, 748, 767, 343/795, 819, 840, 846, 866, 871-908; 455/90.2, 455/90.3, 91, 128, 269, 344, 347, 562.1
See application file for complete search history.

(56) **References Cited**

U.S. PATENT DOCUMENTS

D588,115 S *	3/2009	Yoshioka	D14/230
D603,850 S *	11/2009	Wu et al.	D14/230
D606,053 S *	12/2009	Wu et al.	D14/230
D608,354 S *	1/2010	Yang et al.	D14/230
7,642,966 B2 *	1/2010	Vance	343/700 MS

2008/0030411 A1 *	2/2008	Wen et al.	343/702
2009/0002244 A1 *	1/2009	Woo	343/702
2009/0040110 A1 *	2/2009	Chien et al.	343/700 MS
2009/0146906 A1 *	6/2009	Anguera Pros et al.	343/906
2010/0013715 A1 *	1/2010	Yu et al.	343/700 MS
2010/0188297 A1 *	7/2010	Chen et al.	343/702

* cited by examiner

Primary Examiner—Celia A Murphy
Assistant Examiner—John Windmuller

(74) *Attorney, Agent, or Firm*—WPAT, P.C.; Anthony King

(57) **CLAIM**

The ornamental design for a multi-band antenna, as shown and described.

DESCRIPTION

FIG. 1 is a perspective view of a multi-band antenna showing our new design;

FIG. 2 is a front elevational view thereof;

FIG. 3 is a rear elevational view thereof;

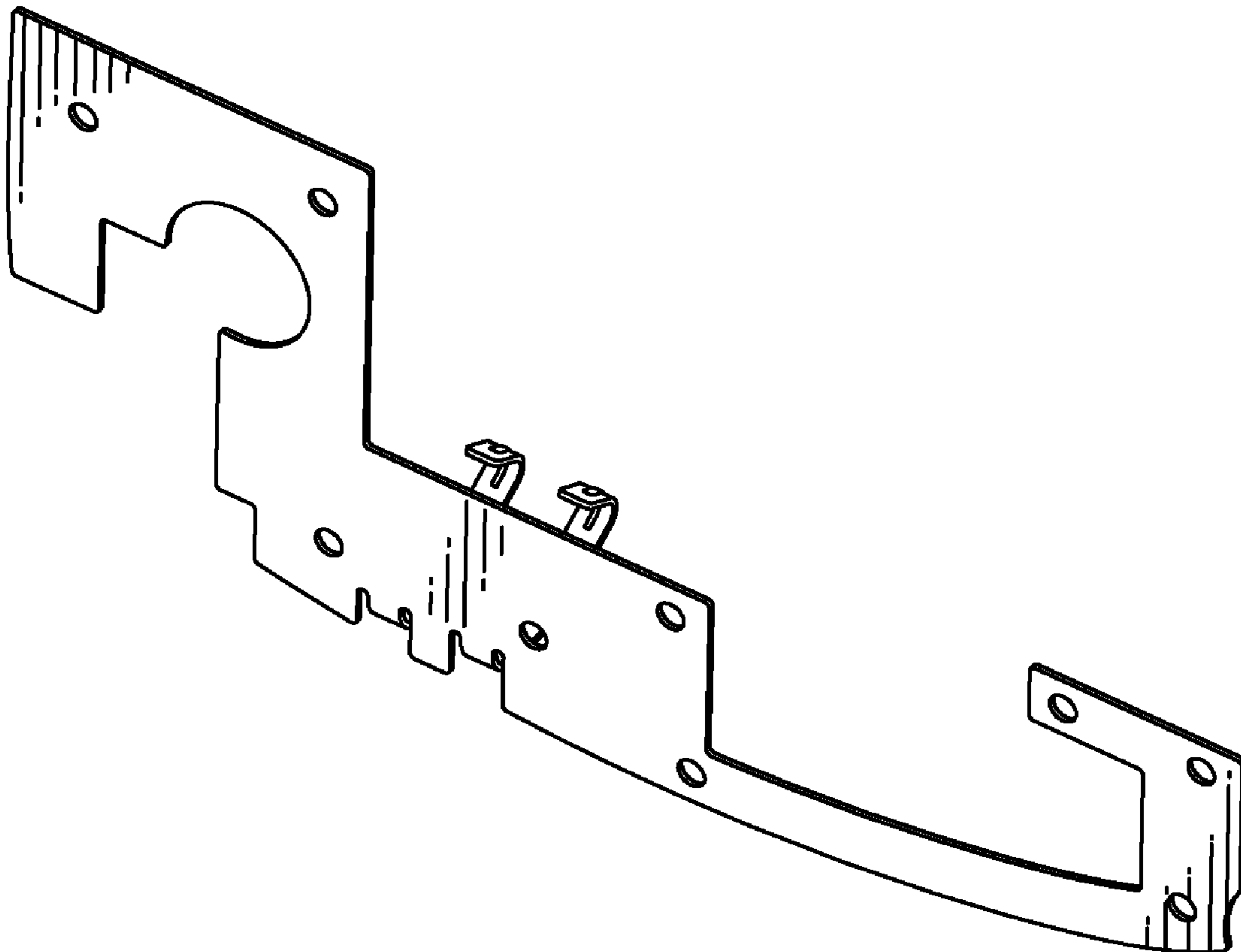
FIG. 4 is a left side elevational view thereof;

FIG. 5 is a right side elevational view thereof;

FIG. 6 is a top plan view thereof; and,

FIG. 7 is a bottom plan view thereof.

1 Claim, 7 Drawing Sheets



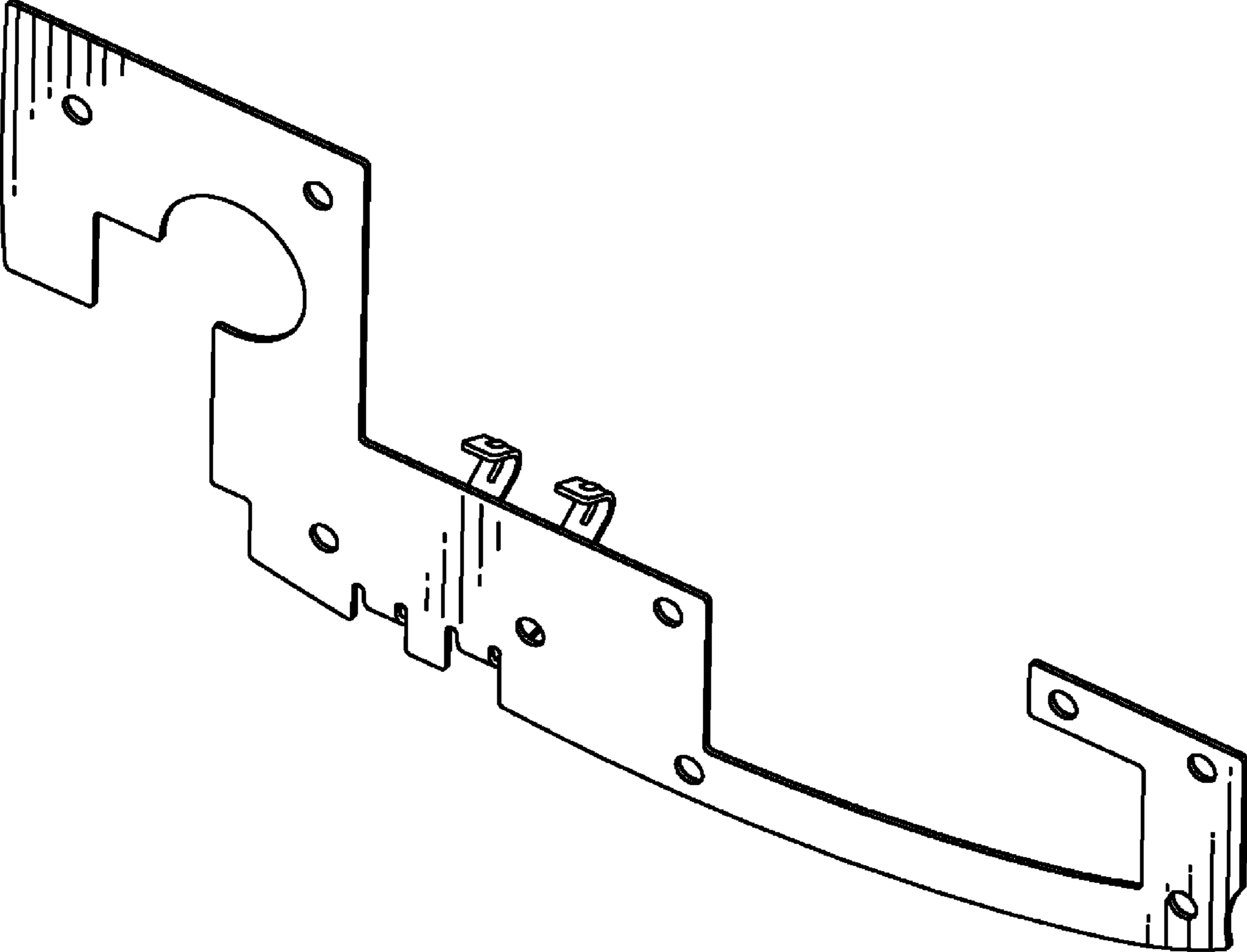


FIG. 1

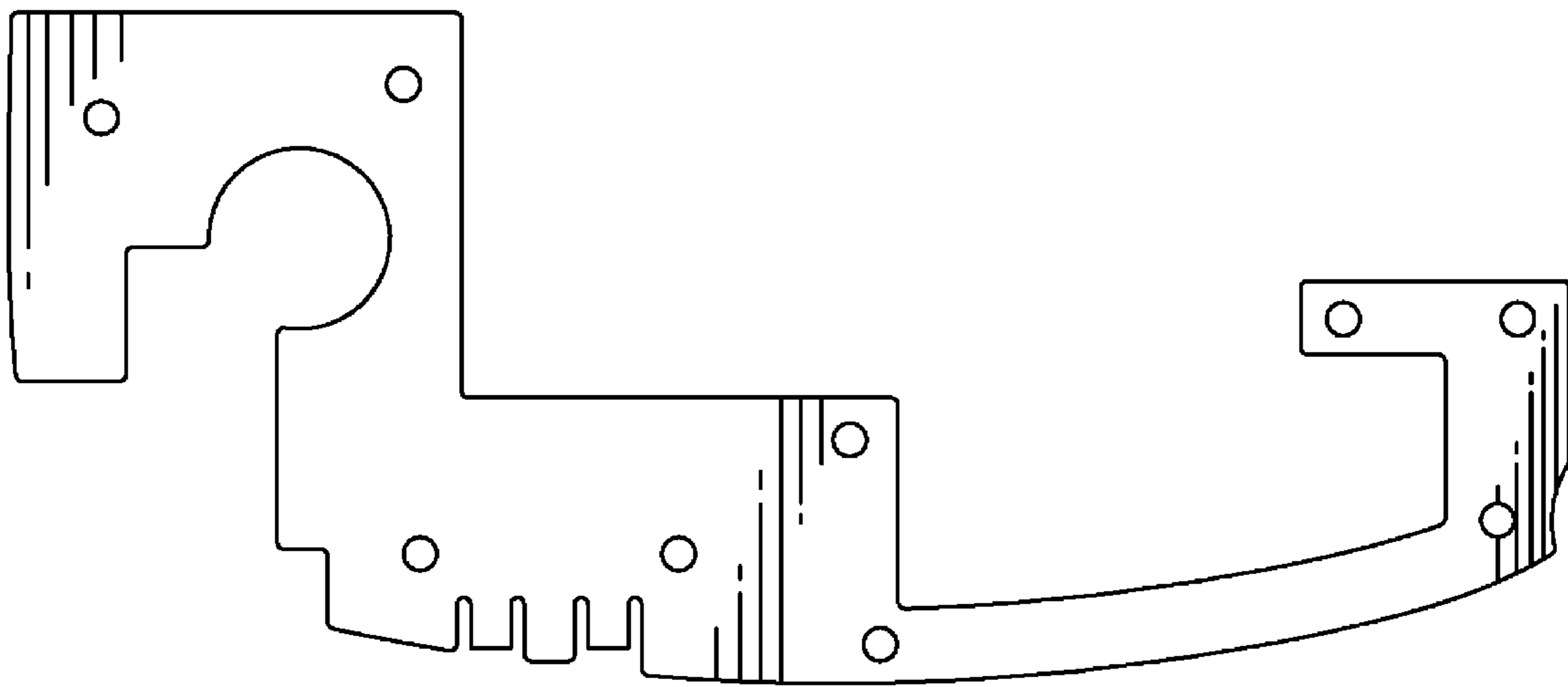


FIG. 2

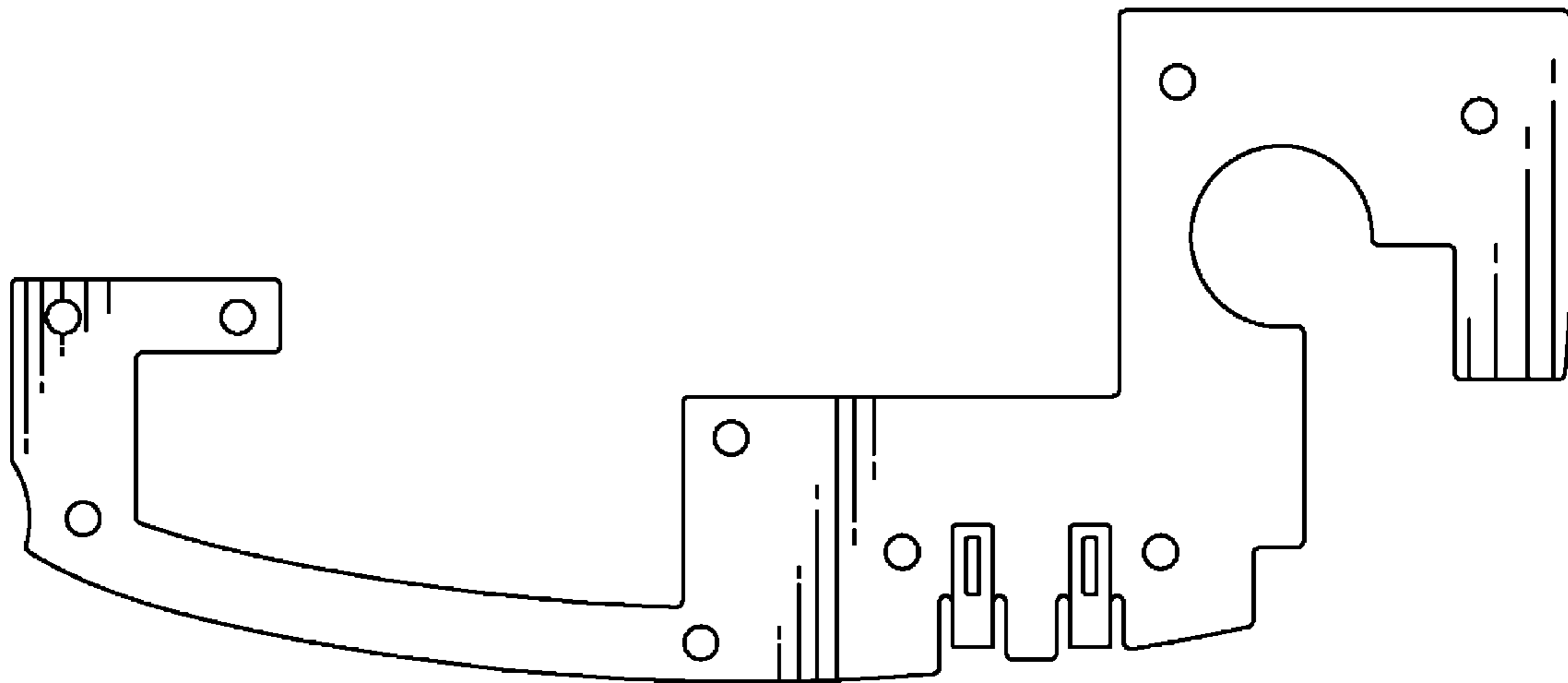


FIG. 3



FIG. 4

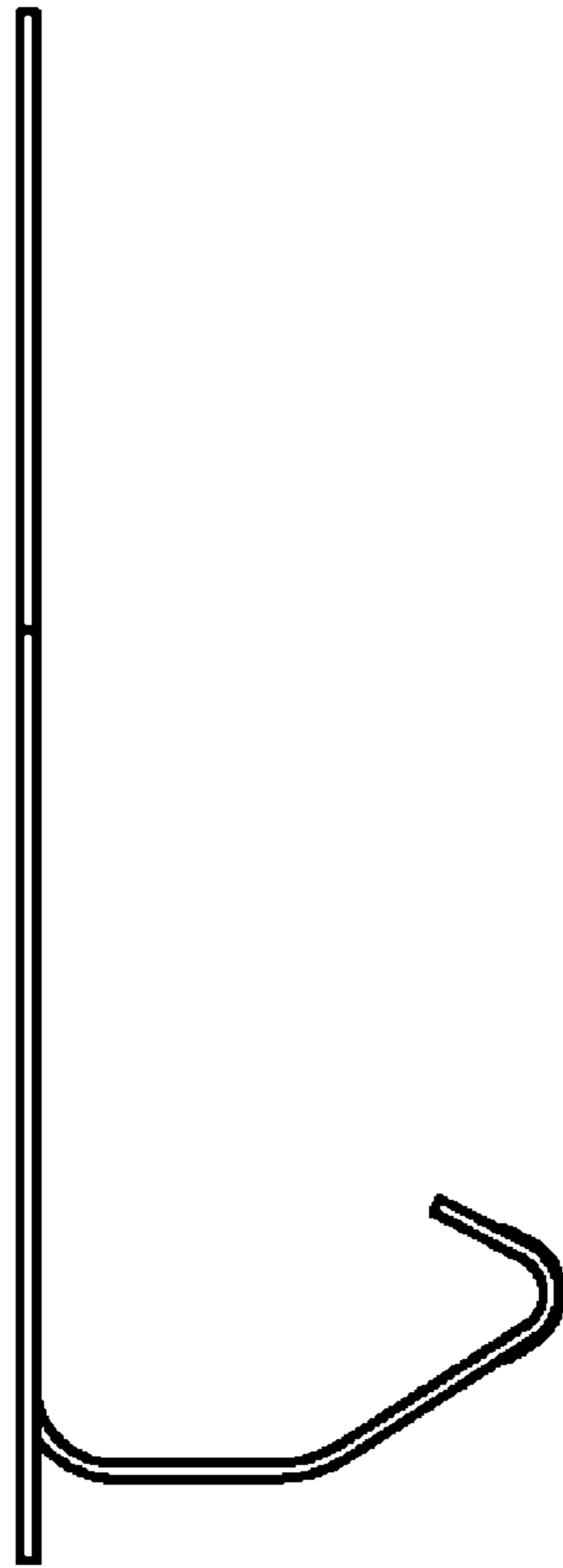


FIG. 5



FIG. 6



FIG. 7