



US00D632680S

(12) **United States Design Patent**  
**Annebäck**

(10) **Patent No.:** **US D632,680 S**  
(45) **Date of Patent:** **\*\* Feb. 15, 2011**

(54) **MICROPHONE HOUSING**

(75) Inventor: **Elin Annebäck**, Malmö (SE)

(73) Assignee: **Sony Ericsson Mobile Communications AB**, Lund (SE)

(\*\*) Term: **14 Years**

(21) Appl. No.: **29/361,379**

(22) Filed: **May 11, 2010**

(30) **Foreign Application Priority Data**

Dec. 18, 2009 (EM) ..... 001649526-0001

(51) **LOC (9) Cl.** ..... **14-01**

(52) **U.S. Cl.** ..... **D14/228**

(58) **Field of Classification Search** ..... D21/513;  
D17/99; D16/208; D14/497, 249, 243, 227,  
D14/226, 225, 167, 155; 446/416; 381/369,  
381/355, 92, 174; 455/575.2; D9/48; D8/61,  
D8/68, 70

See application file for complete search history.

(56) **References Cited**

**U.S. PATENT DOCUMENTS**

D190,864 S \* 7/1961 Deschamps ..... D14/228  
D391,820 S \* 3/1998 Bunyea ..... D8/61  
D443,303 S \* 6/2001 Ashe ..... D19/48  
D464,653 S \* 10/2002 Nagai et al. .... D14/411

6,461,068 B1 \* 10/2002 Holmes ..... 401/17  
D474,086 S \* 5/2003 Heun ..... D8/61  
D577,974 S \* 10/2008 Miller ..... D8/70  
D584,721 S \* 1/2009 Okazaki et al. .... D14/228  
D593,387 S \* 6/2009 Liao ..... D8/68  
D593,999 S \* 6/2009 Mauritzsson ..... D14/225  
D624,058 S \* 9/2010 Kolton ..... D14/225  
2006/0257195 A1 \* 11/2006 Chen ..... 400/697

\* cited by examiner

*Primary Examiner*—Austin Murphy

(74) *Attorney, Agent, or Firm*—Renner, Otto, Boisselle & Sklar, LLP

(57) **CLAIM**

The ornamental design for a microphone housing, as shown and described.

**DESCRIPTION**

FIG. 1 is a front view of a microphone housing showing my design;

FIG. 2 is a rear view thereof;

FIG. 3 is a left side view thereof;

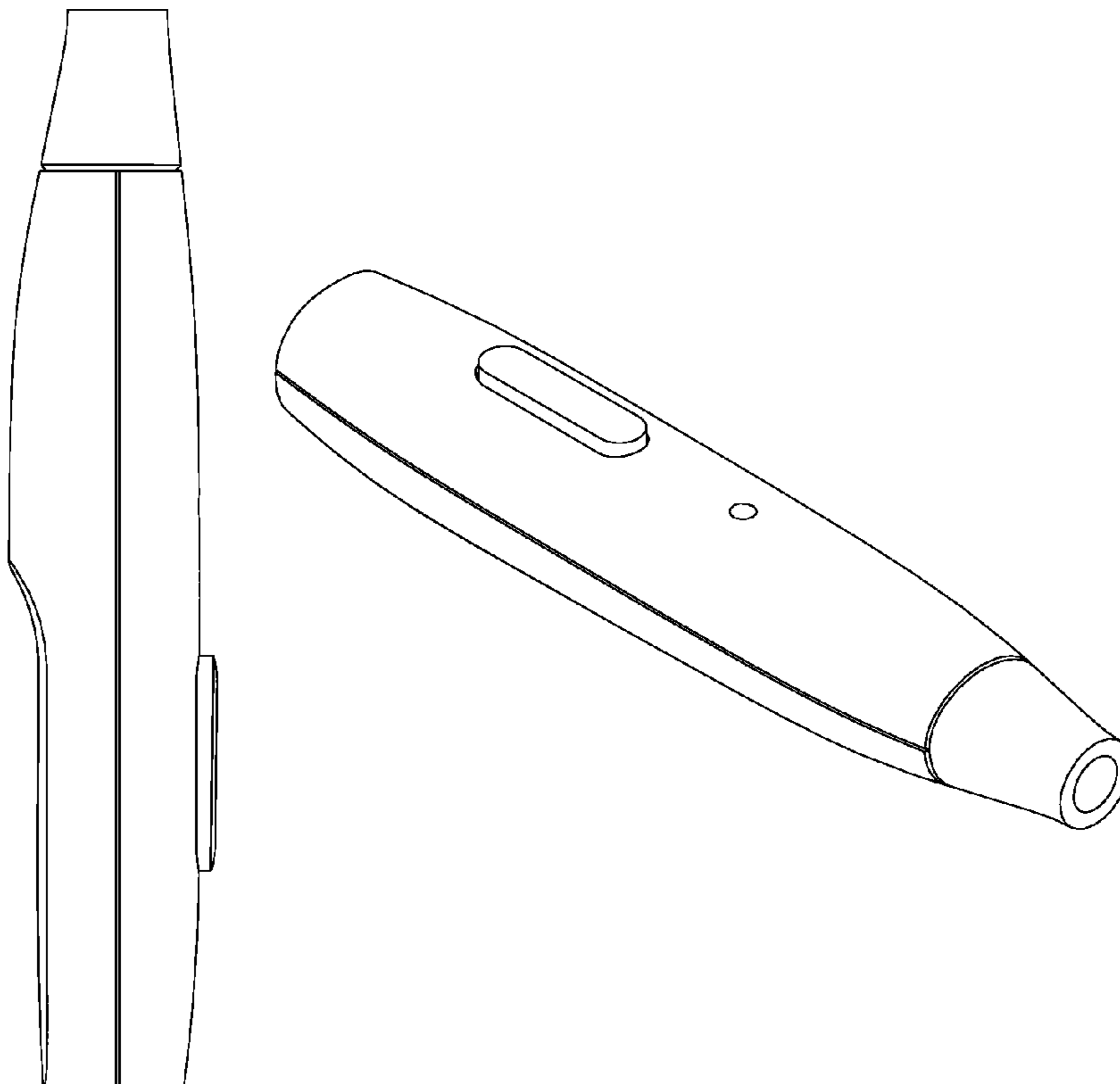
FIG. 4 is a right side view thereof;

FIG. 5 is a bottom view thereof;

FIG. 6 is a top view thereof; and,

FIG. 7 is a perspective view thereof.

**1 Claim, 2 Drawing Sheets**



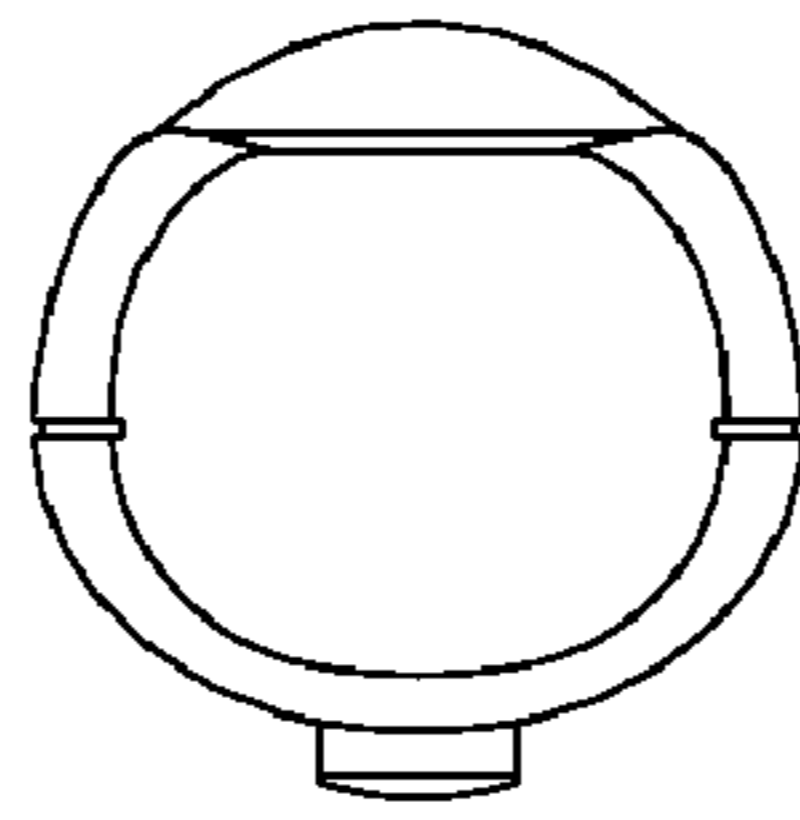


FIG. 5

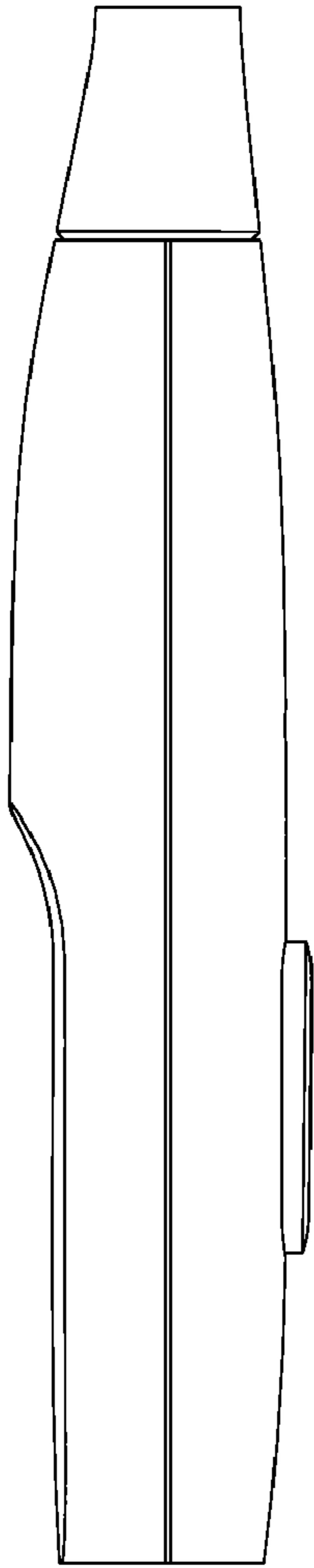


FIG. 4

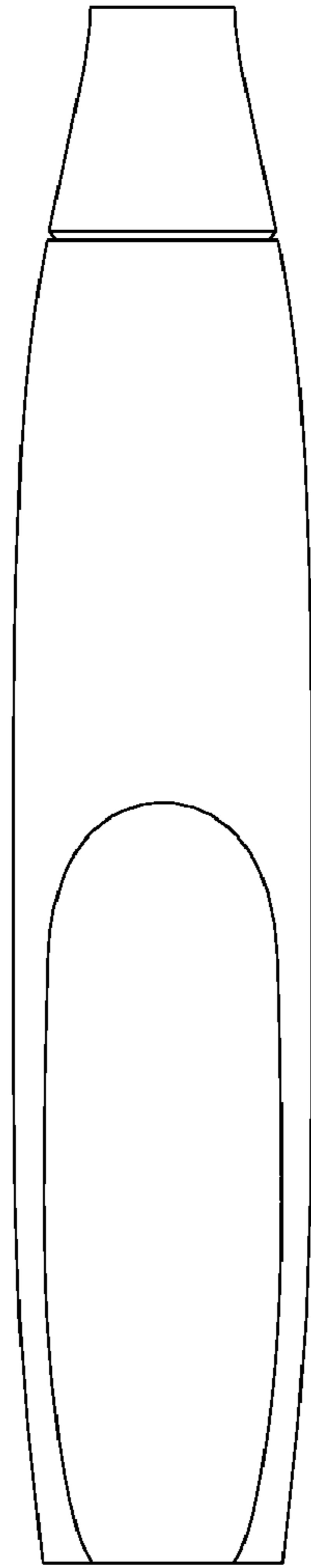


FIG. 1

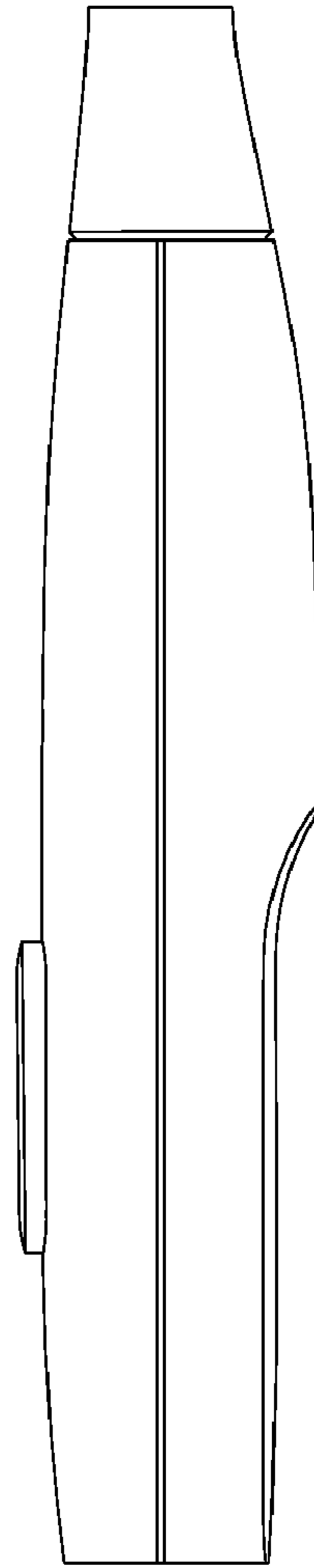


FIG. 3

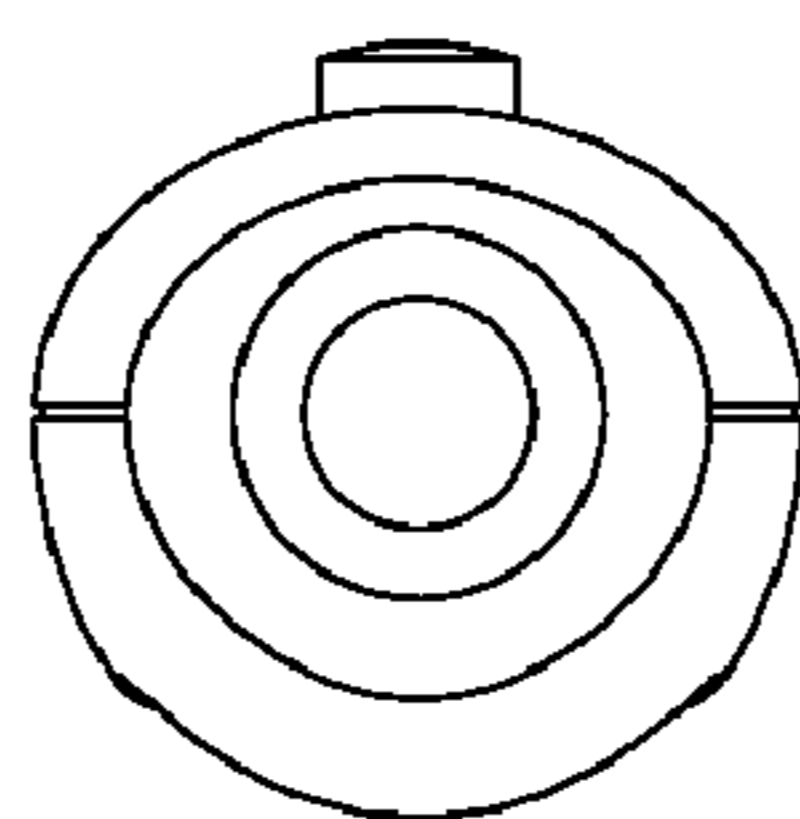


FIG. 6

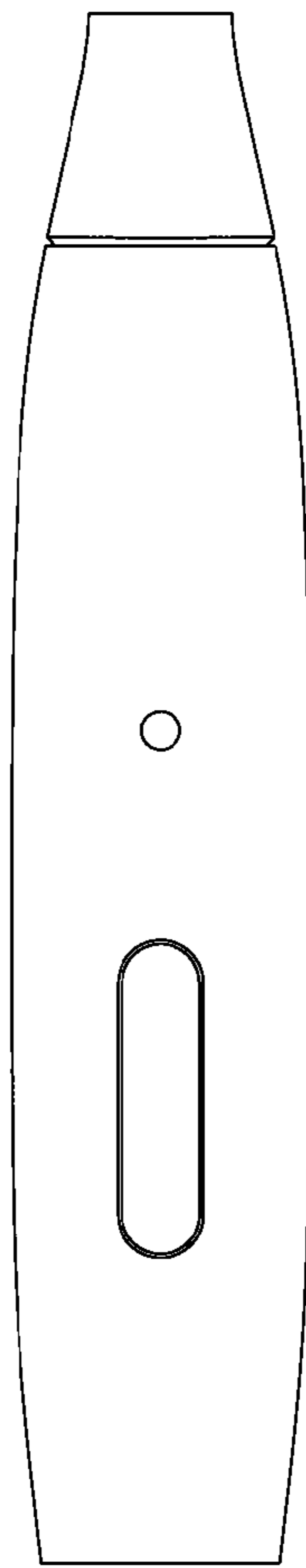


FIG. 2

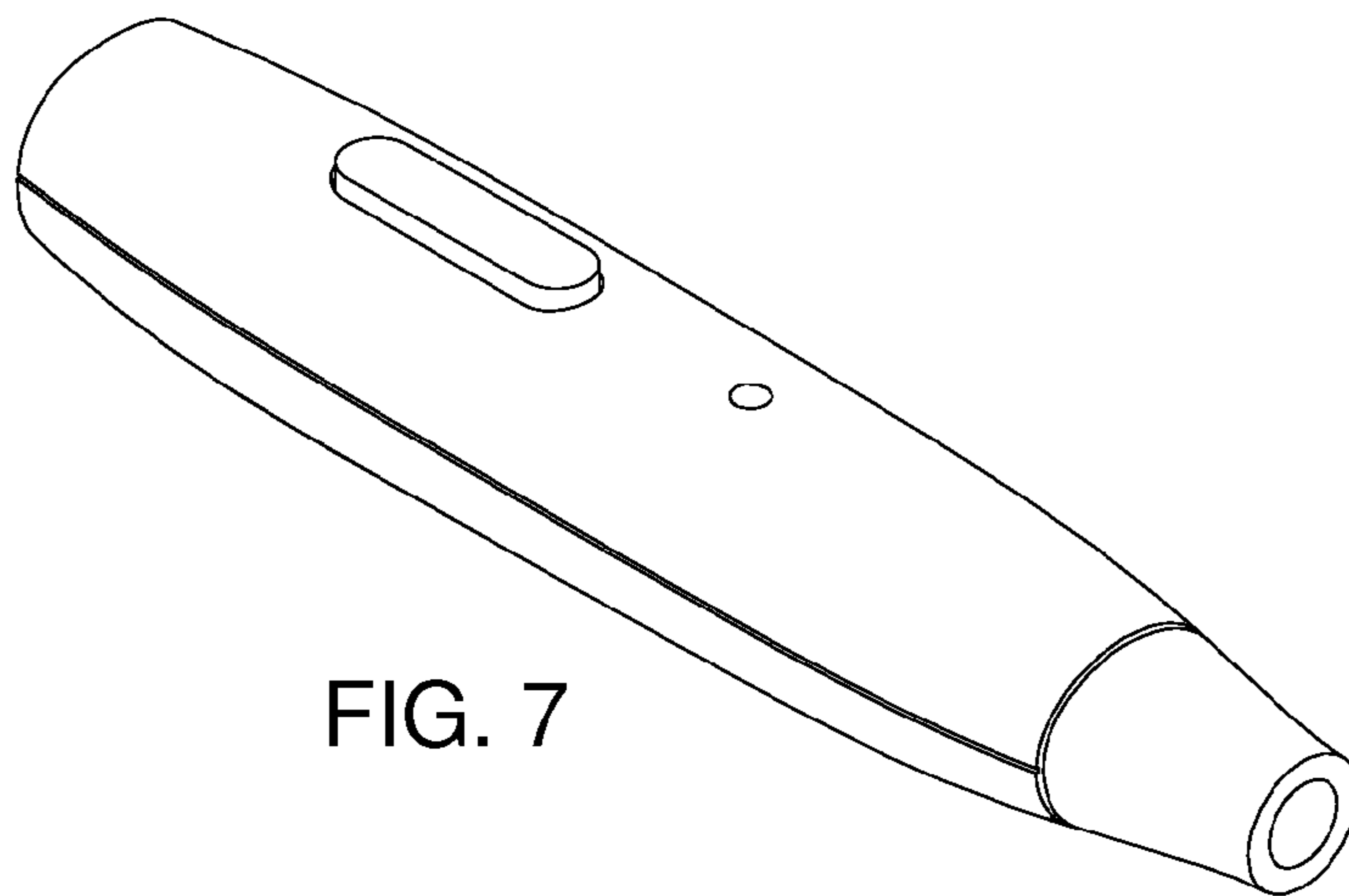


FIG. 7