



US00D632678S

(12) **United States Design Patent**  
**Brown et al.**

(10) **Patent No.:** **US D632,678 S**  
(45) **Date of Patent:** **\*\* Feb. 15, 2011**

(54) **EAR BUD SHAFT AND TAPER**

(75) Inventors: **James D. Brown**, Bloomington, IN (US); **Paul D. Henry**, Carmel, IN (US); **David M. Lutgring**, Indianapolis, IN (US); **Michael J. Pescetto**, Fishers, IN (US); **Ravi Thomas**, Avon, IN (US)

(73) Assignee: **3M Innovative Properties Company**, St. Paul, MN (US)

(\*\*) Term: **14 Years**

(21) Appl. No.: **29/358,957**

(22) Filed: **Apr. 2, 2010**

(51) **LOC (9) Cl.** ..... **14-01**  
(52) **U.S. Cl.** ..... **D14/223**  
(58) **Field of Classification Search** ..... D14/205,  
D14/206, 223, 192, 188; D24/106, 174;  
181/129, 130, 135; 128/864, 865, 866, 867,  
128/868; 381/380, 381, 394, 392, 417, 322,  
381/338, 325, 328; 600/474

See application file for complete search history.

(56) **References Cited**

**U.S. PATENT DOCUMENTS**

|           |      |         |                 |       |         |
|-----------|------|---------|-----------------|-------|---------|
| 1,536,109 | A *  | 5/1925  | Lessard         | ..... | 181/129 |
| 2,430,229 | A *  | 11/1947 | Kelsey          | ..... | 381/338 |
| 2,619,960 | A *  | 12/1952 | Reynolds        | ..... | 128/868 |
| 3,800,791 | A *  | 4/1974  | Visor           | ..... | 128/864 |
| 4,602,642 | A *  | 7/1986  | O'Hara et al.   | ..... | 600/474 |
| D431,553  | S    | 10/2000 | Suzuki          |       |         |
| D435,036  | S    | 12/2000 | Koss et al.     |       |         |
| D444,141  | S    | 6/2001  | Koss et al.     |       |         |
| D449,592  | S    | 10/2001 | Koss et al.     |       |         |
| 6,310,961 | B1 * | 10/2001 | Oliveira et al. | ..... | 381/328 |
| D457,514  | S    | 5/2002  | Marion et al.   |       |         |
| D485,548  | S    | 1/2004  | Obata           |       |         |
| D487,077  | S    | 2/2004  | Obata           |       |         |
| 6,931,142 | B2 * | 8/2005  | Fushimi         | ..... | 381/325 |
| D516,058  | S *  | 2/2006  | Garcia          | ..... | D14/205 |
| D519,107  | S    | 4/2006  | Yang            |       |         |
| D519,108  | S    | 4/2006  | Yang            |       |         |

|           |      |         |                  |       |         |
|-----------|------|---------|------------------|-------|---------|
| D531,169  | S    | 10/2006 | Tokioka et al.   |       |         |
| D542,782  | S    | 5/2007  | Pena Angarita    |       |         |
| 7,212,646 | B2 * | 5/2007  | Nassimi          | ..... | 381/380 |
| D550,655  | S *  | 9/2007  | Falco            | ..... | D14/223 |
| D554,109  | S    | 10/2007 | Ledbetter et al. |       |         |
| D554,627  | S    | 11/2007 | Gondo            |       |         |
| D555,152  | S    | 11/2007 | Wang             |       |         |
| D572,242  | S    | 7/2008  | Yang             |       |         |
| D578,517  | S    | 10/2008 | Pausch           |       |         |
| D578,518  | S    | 10/2008 | Ewert            |       |         |
| D579,005  | S    | 10/2008 | Wilhelmsen       |       |         |
| D579,444  | S    | 10/2008 | Ewert et al.     |       |         |
| D586,332  | S    | 2/2009  | Ewert et al.     |       |         |
| D587,247  | S    | 2/2009  | Densho           |       |         |
| D593,999  | S    | 6/2009  | Mauritzsson      |       |         |
| D595,268  | S    | 6/2009  | Kolton           |       |         |
| D596,616  | S    | 7/2009  | Andre et al.     |       |         |

(Continued)

*Primary Examiner*—Paula Greene  
(74) *Attorney, Agent, or Firm*—Anna A. Wetzels

(57) **CLAIM**

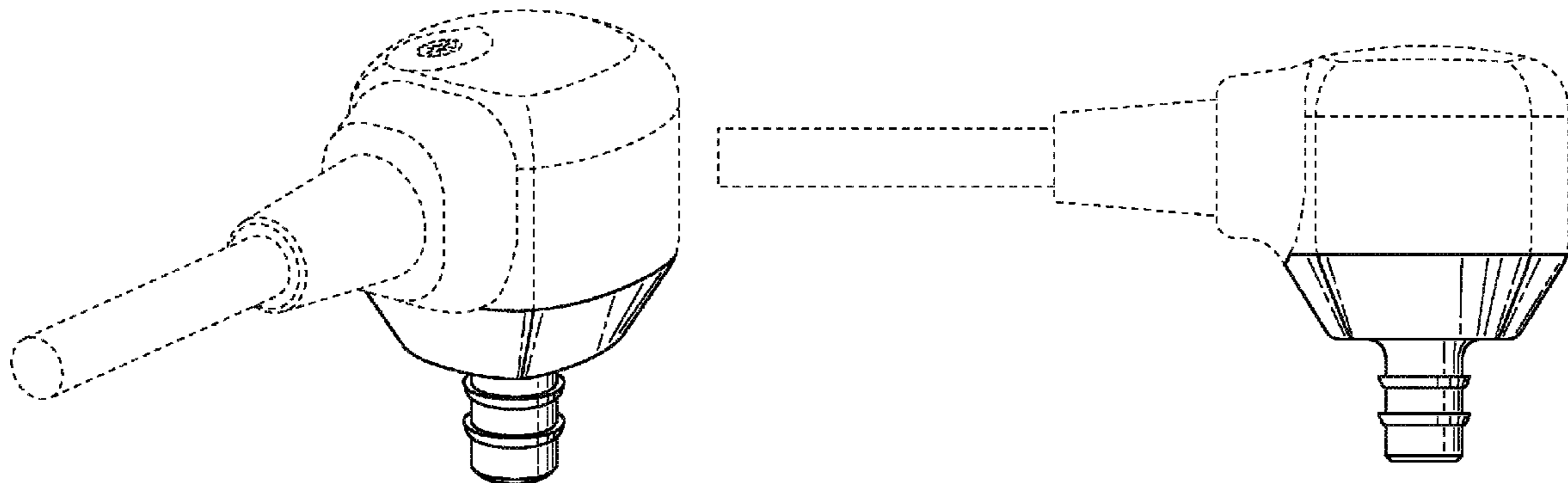
The ornamental design for ear bud shaft and taper, as shown and described.

**DESCRIPTION**

FIG. 1 is a perspective view of an ear bud shaft and taper showing the new design;  
FIG. 2 is a left side view thereof;  
FIG. 3 is a right side view thereof;  
FIG. 4 is a top view thereof;  
FIG. 5 is a bottom view thereof;  
FIG. 6 is a front view thereof;  
FIG. 7 is a rear view thereof; and,  
FIG. 8 is an illustration of an exemplary ear bud incorporating the claimed design that further includes an ear plug intended to be inserted into a user's ear.

The broken lines form no part of the claimed design.

**1 Claim, 3 Drawing Sheets**



# US D632,678 S

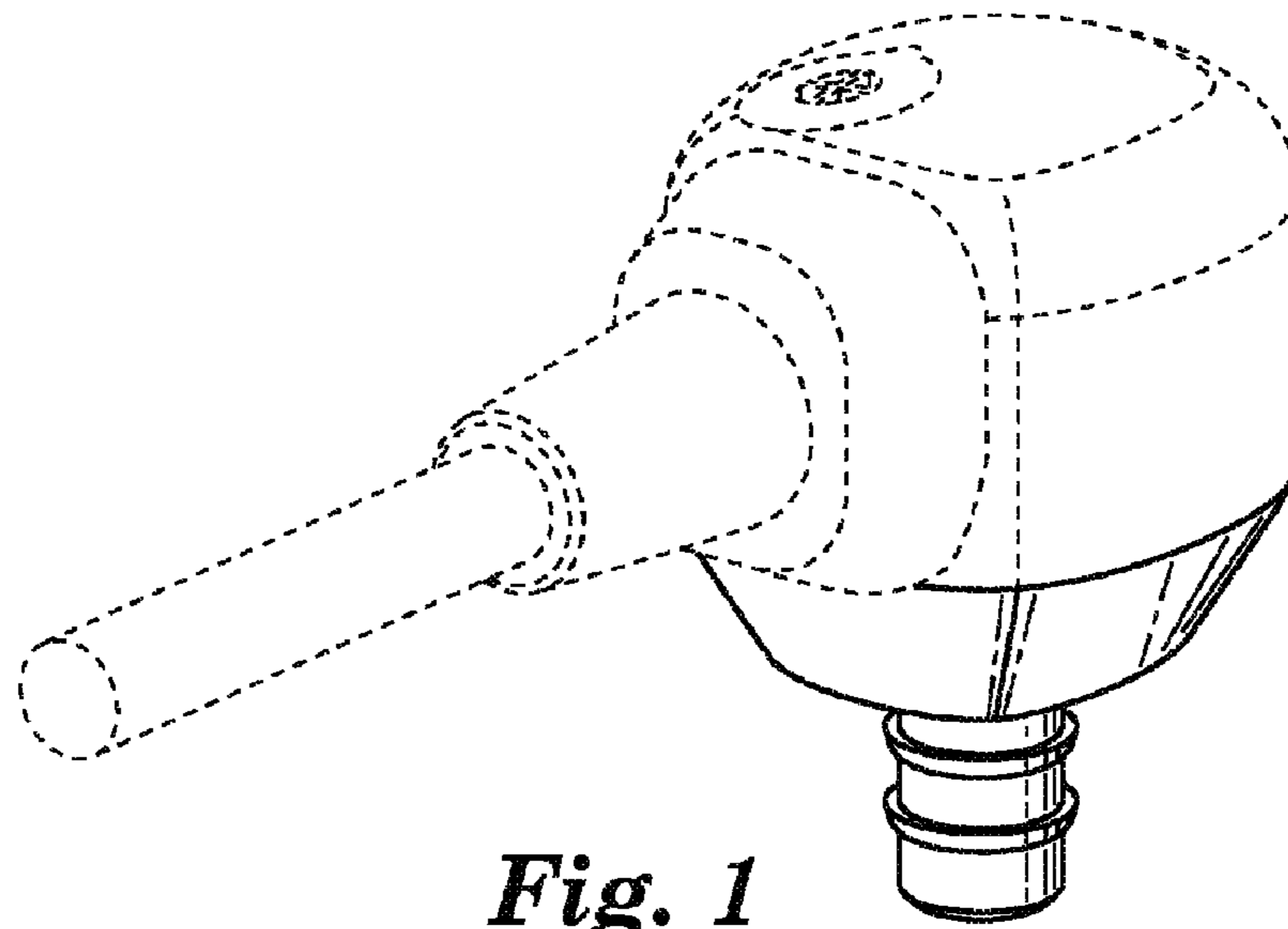
Page 2

---

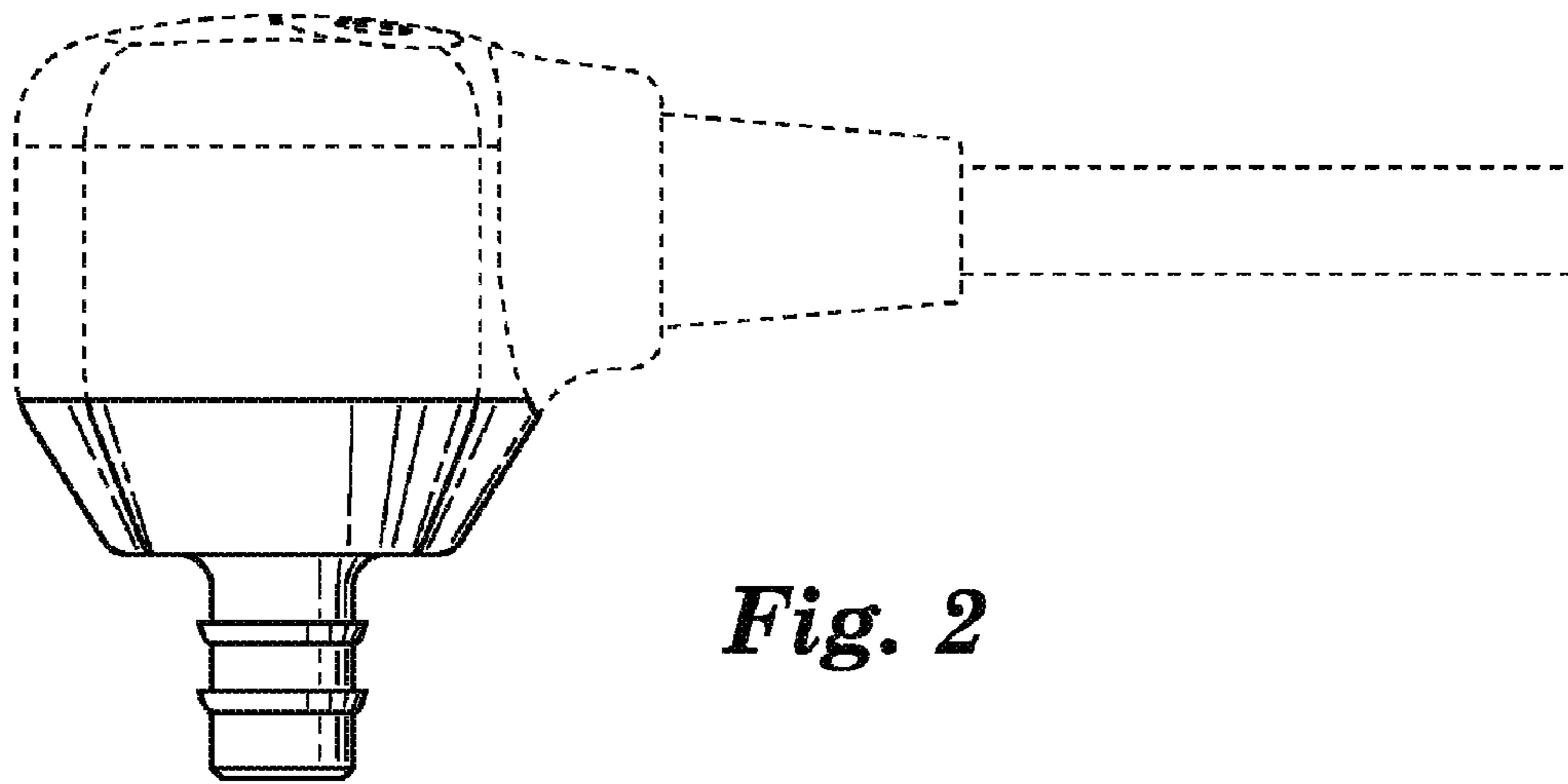
## U.S. PATENT DOCUMENTS

|            |         |                |                |         |                |         |
|------------|---------|----------------|----------------|---------|----------------|---------|
| D598,010 S | 8/2009  | Matsuda et al. | D603,380 S     | 11/2009 | Hutchieson     |         |
| D599,785 S | 9/2009  | Matsuda et al. | D604,272 S     | 11/2009 | Kitayama       |         |
| D601,133 S | 9/2009  | Ohori          | D605,182 S     | 12/2009 | Fagnot         |         |
| D601,134 S | 9/2009  | Elabidi et al. | D605,636 S     | 12/2009 | Yang           |         |
| D602,004 S | 10/2009 | Matsuoka       | D606,972 S *   | 12/2009 | Schaefer ..... | D14/205 |
| D602,475 S | 10/2009 | Martin         | D611,934 S *   | 3/2010  | Schaefer ..... | D14/223 |
|            |         |                | 7,743,771 B2 * | 6/2010  | Falco .....    | 128/864 |

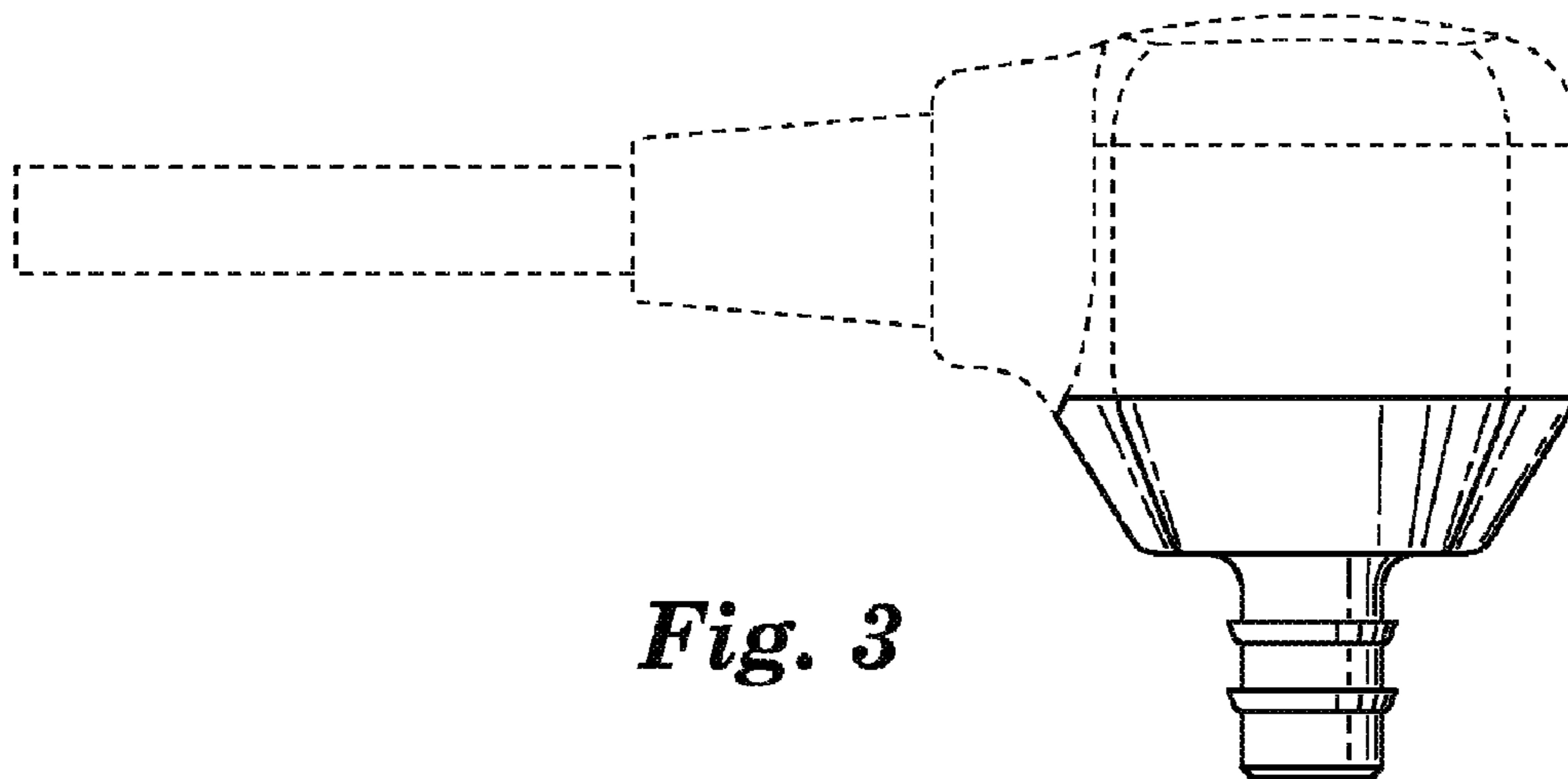
\* cited by examiner



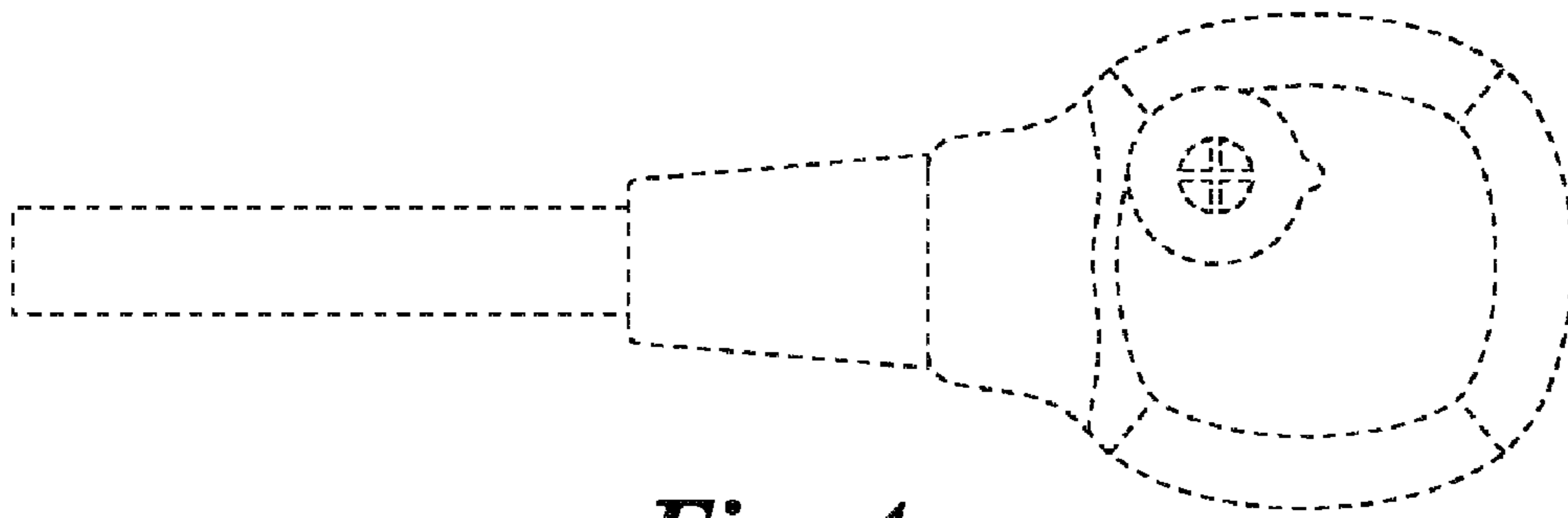
*Fig. 1*



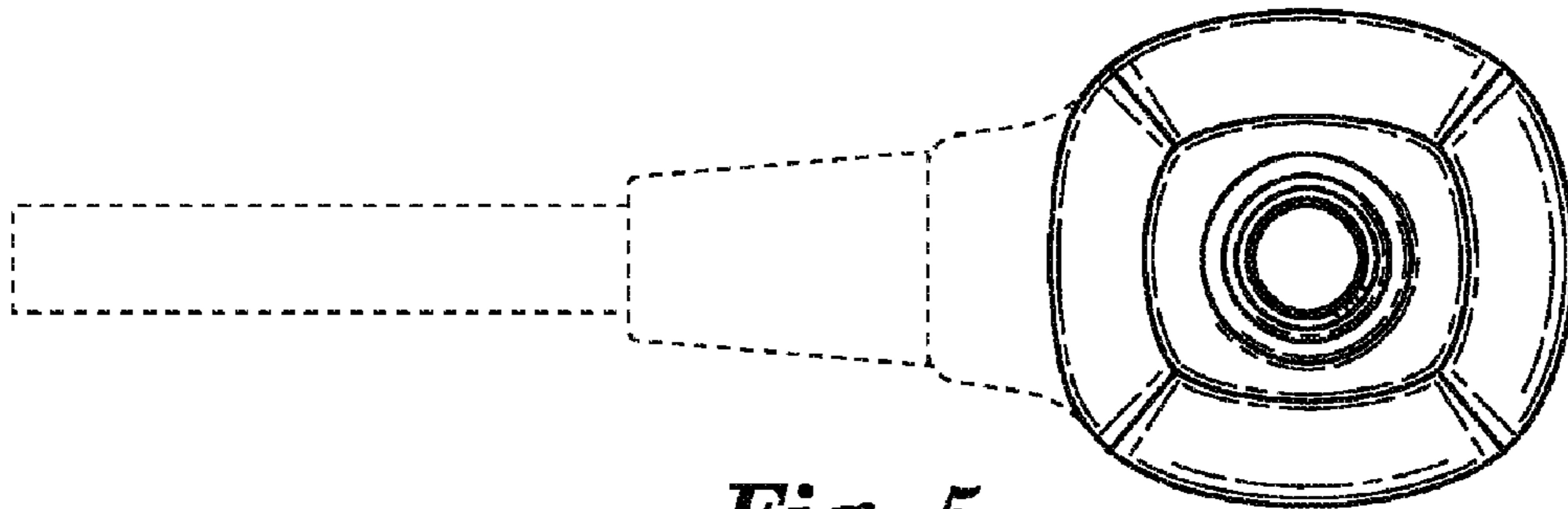
*Fig. 2*



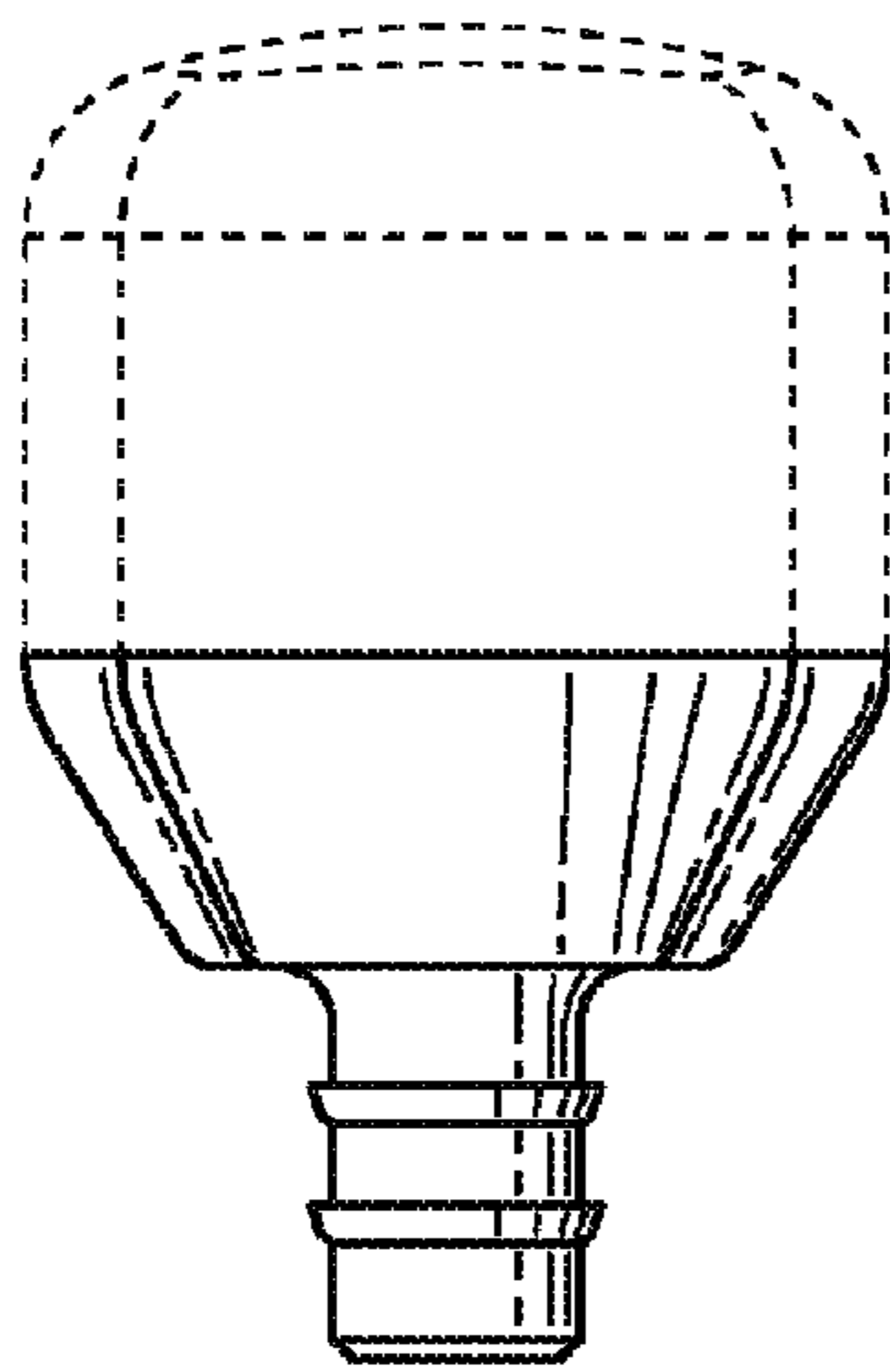
*Fig. 3*



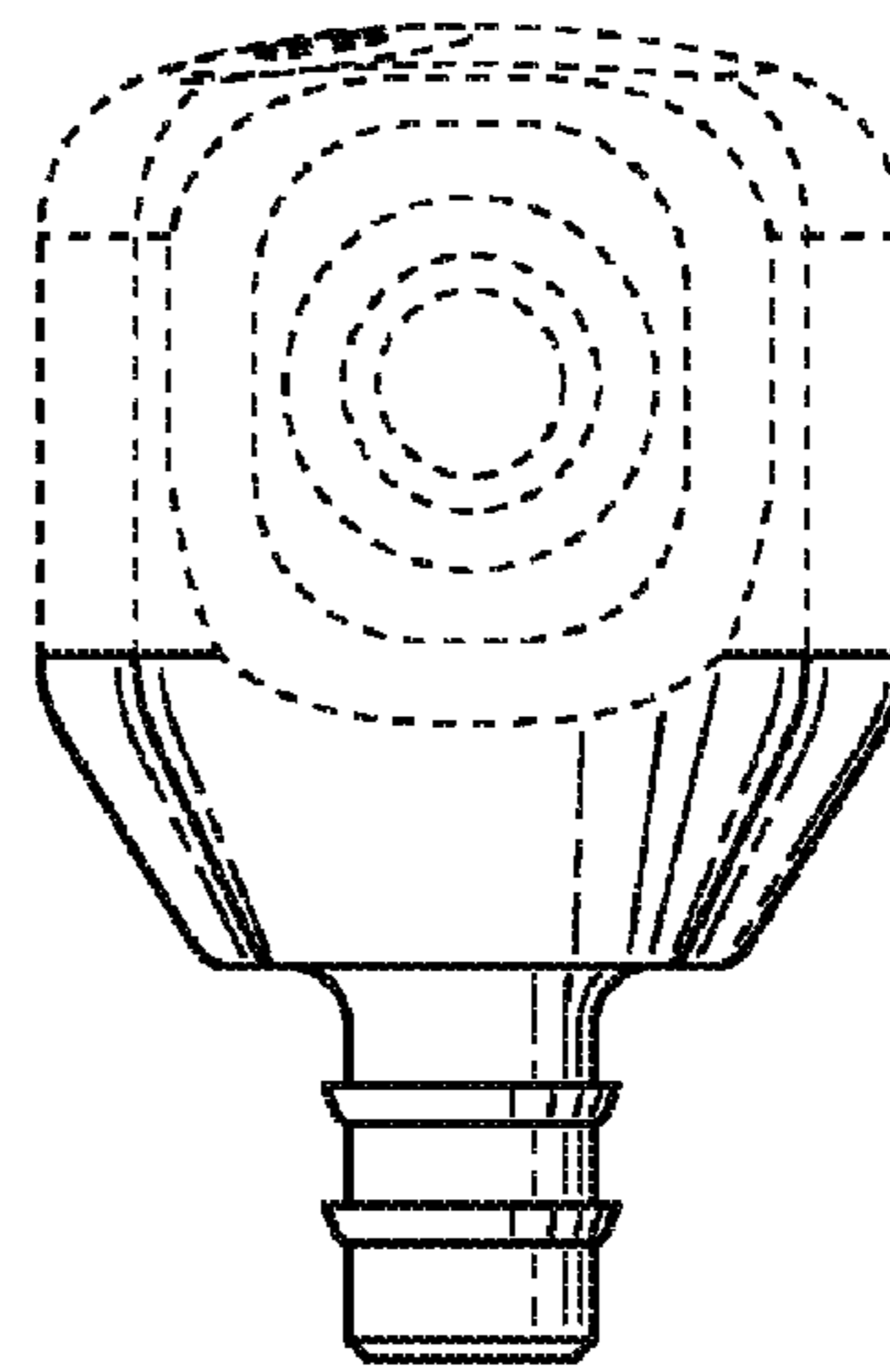
*Fig. 4*



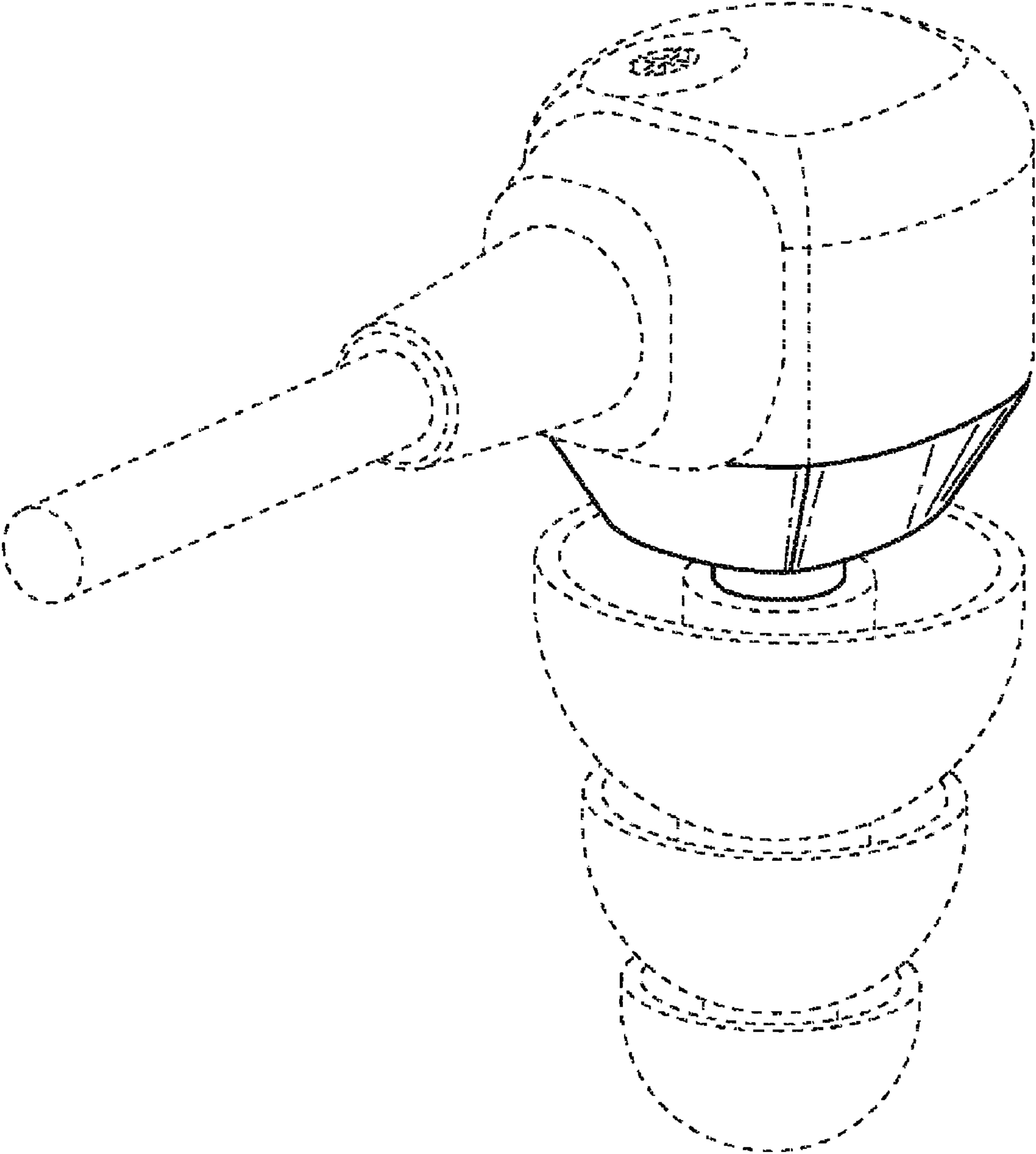
*Fig. 5*



*Fig. 6*



*Fig. 7*



*Fig. 8*