



US00D632677S

(12) **United States Design Patent**
Brown et al.

(10) **Patent No.:** **US D632,677 S**
(45) **Date of Patent:** **** Feb. 15, 2011**

(54) **EAR BUD BODY SHAPE**
(75) Inventors: **James D. Brown**, Bloomington, IN (US); **Paul D. Henry**, Carmel, IN (US); **David M. Lutgring**, Indianapolis, IN (US); **Michael J. Pescetto**, Fishers, IN (US); **Ravi Thomas**, Avon, IN (US)

(73) Assignee: **3M Innovative Properties Company**, St. Paul, MN (US)

(**) Term: **14 Years**

(21) Appl. No.: **29/358,951**

(22) Filed: **Apr. 2, 2010**

(51) **LOC (9) Cl.** **14-01**
(52) **U.S. Cl.** **D14/223**
(58) **Field of Classification Search** D14/205, D14/206, 223; 379/430, 433.01, 433.02, 379/433.03, 431; 181/129, 130; 381/380, 381/381, 385, 322, 312; D24/106, 174; 455/575.1, 455/569.1, 90.3

See application file for complete search history.

(56) **References Cited**

U.S. PATENT DOCUMENTS

1,668,890	A *	5/1928	Curran et al.	181/130
2,993,962	A *	7/1961	Hothem	379/430
3,195,392	A *	7/1965	Allen	84/457
3,440,365	A *	4/1969	Hazell et al.	379/430
D236,988	S *	9/1975	Walters	D14/223
3,983,336	A *	9/1976	Malek et al.	381/313
4,069,400	A *	1/1978	Johanson et al.	381/324
4,133,984	A *	1/1979	Akiyama	381/328
4,417,104	A *	11/1983	Langer	181/135
4,532,649	A *	7/1985	Bellafore	381/324
4,585,089	A *	4/1986	Topholm	181/135
D367,113	S *	2/1996	Weeks	D24/174
5,812,659	A *	9/1998	Mauney et al.	379/430
D431,553	S	10/2000	Suzuki	
D435,036	S	12/2000	Koss et al.	
D444,141	S	6/2001	Koss et al.	
D449,592	S	10/2001	Koss et al.	

D457,514	S	5/2002	Marion et al.	
D485,548	S	1/2004	Obata	
D487,077	S	2/2004	Obata	
D519,107	S	4/2006	Yang	
D519,108	S	4/2006	Yang	
D531,169	S	10/2006	Tokioka et al.	
D542,782	S	5/2007	Pena Angarite	
D554,109	S	10/2007	Ledbetter et al.	
D554,627	S	11/2007	Gondo	
D555,152	S	11/2007	Wang	
D562,809	S *	2/2008	Yang	D14/223
D566,099	S *	4/2008	Komiyama	D14/206
D569,841	S *	5/2008	Chung et al.	D14/205
D572,242	S	7/2008	Yang	
D578,517	S	10/2008	Pausch	
D578,518	S	10/2008	Ewert	
D579,005	S	10/2008	Wilhelmsen	
D579,444	S	10/2008	Ewert et al.	

(Continued)

Primary Examiner—Paula Greene
(74) *Attorney, Agent, or Firm*—Anna A. Wetzels

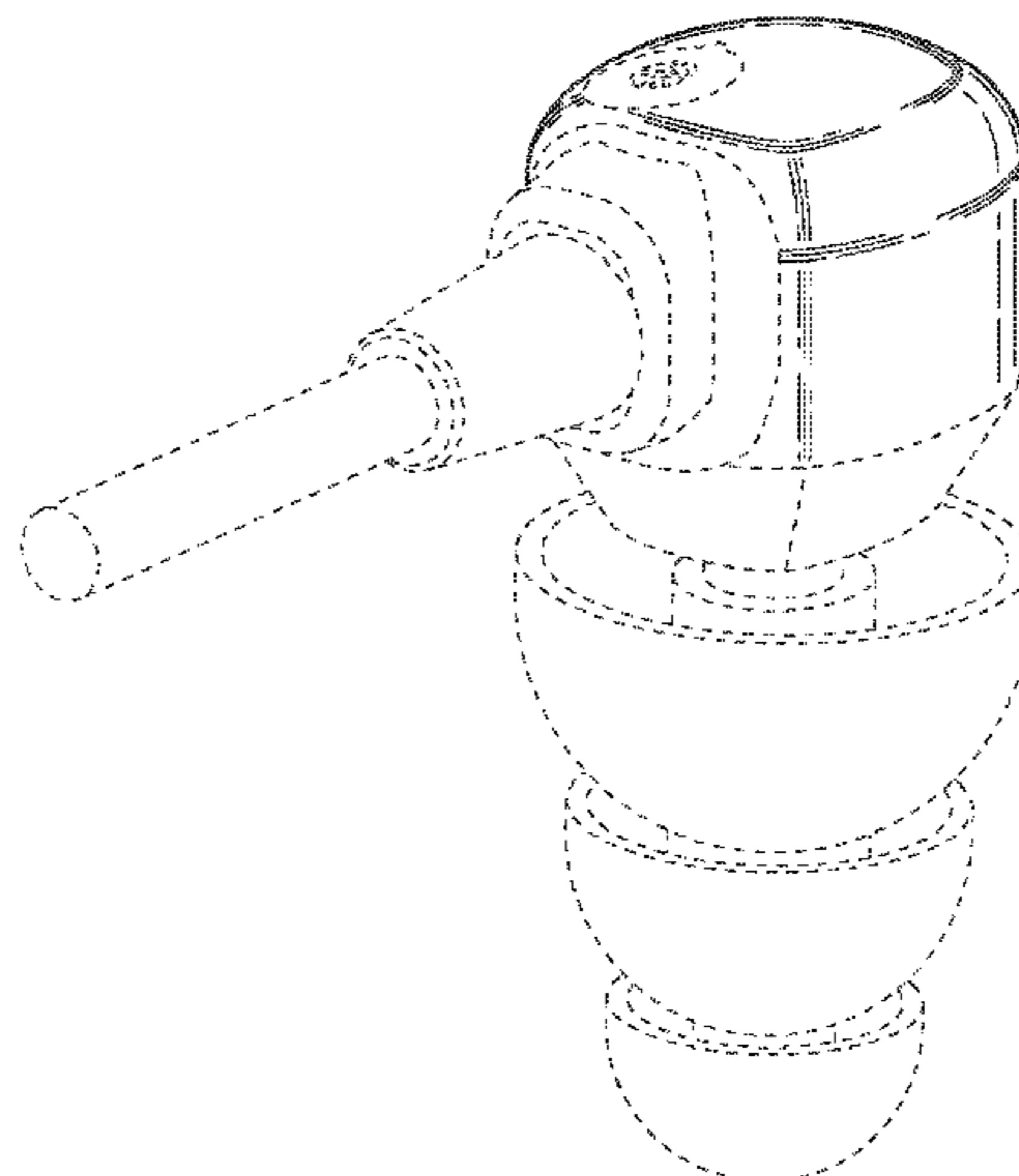
(57) **CLAIM**

The ornamental design for ear bud body shape, as shown and described.

DESCRIPTION

FIG. 1 is a perspective view of an ear bud body shape showing the new design;
FIG. 2 is a left side view thereof;
FIG. 3 is a right side view thereof;
FIG. 4 is a top view thereof;
FIG. 5 is a bottom view thereof;
FIG. 6 is a front view thereof;
FIG. 7 is a rear view thereof; and,
FIG. 8 is an illustration of an exemplary ear bud incorporating the claimed design that further includes an ear plug intended to be inserted into a user's ear.
The broken lines form no part of the claimed design.

1 Claim, 3 Drawing Sheets



US D632,677 S

Page 2

U.S. PATENT DOCUMENTS

D586,332 S	2/2009	Ewert et al.	
D587,247 S	2/2009	Densho	
D591,722 S *	5/2009	Densho	D14/205
D593,999 S	6/2009	Mauritzsso	
D595,268 S	6/2009	Kolton	
D596,616 S	7/2009	Andre et al.	
D598,010 S	8/2009	Matsuda et al.	
D599,785 S	9/2009	Matsuda et al.	
D601,133 S	9/2009	Ohuri	
D601,134 S	9/2009	Elabidi et al.	
D602,004 S	10/2009	Matsuoka	
D602,475 S	10/2009	Martin	
D603,380 S	11/2009	Hutchieson	
D604,272 S	11/2009	Kitayama	
D605,182 S	12/2009	Fagnot	
D605,636 S	12/2009	Yang	
D614,168 S *	4/2010	Rogers et al.	D14/206
D617,780 S *	6/2010	Jaakkola et al.	D14/223

* cited by examiner

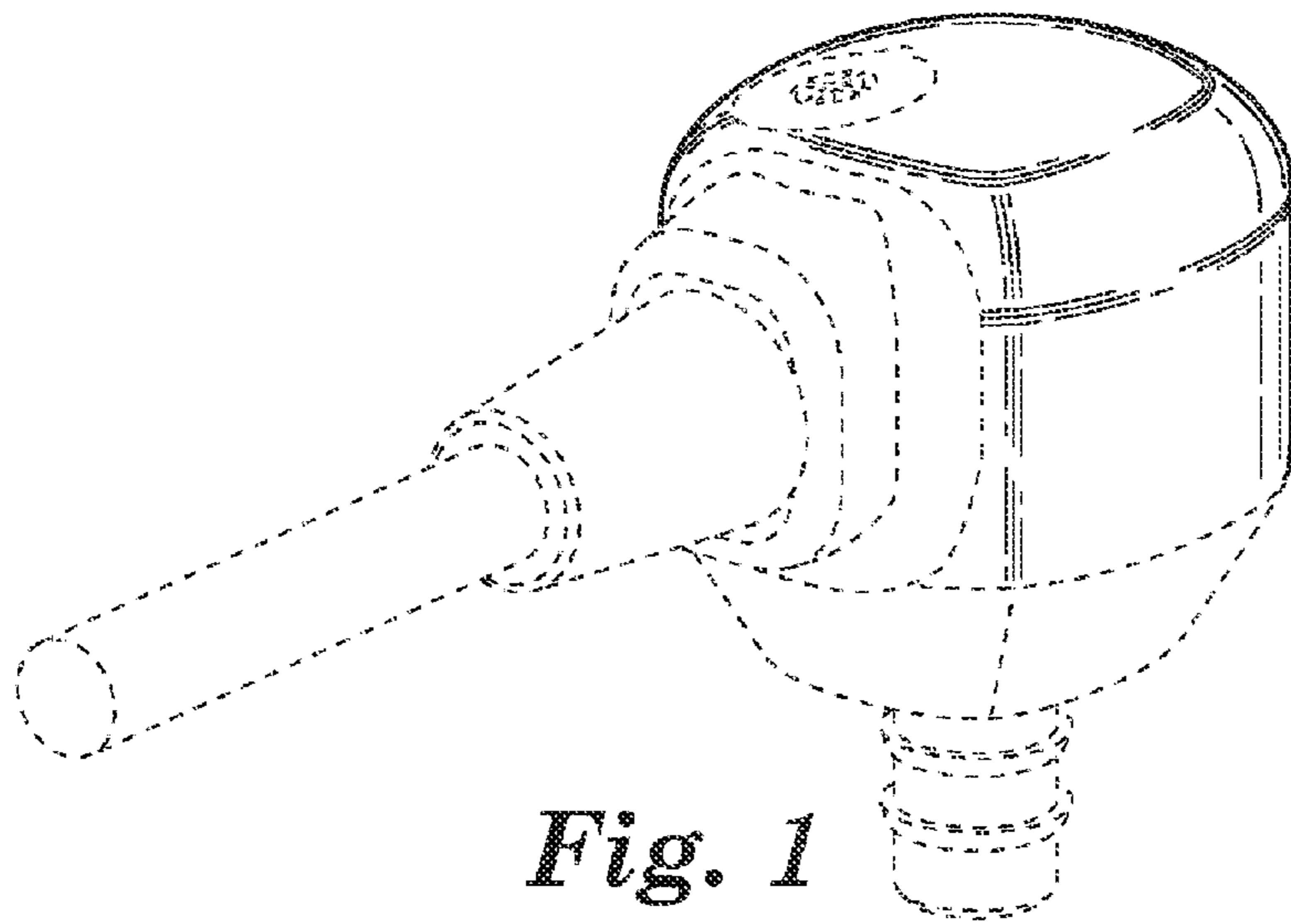


Fig. 1

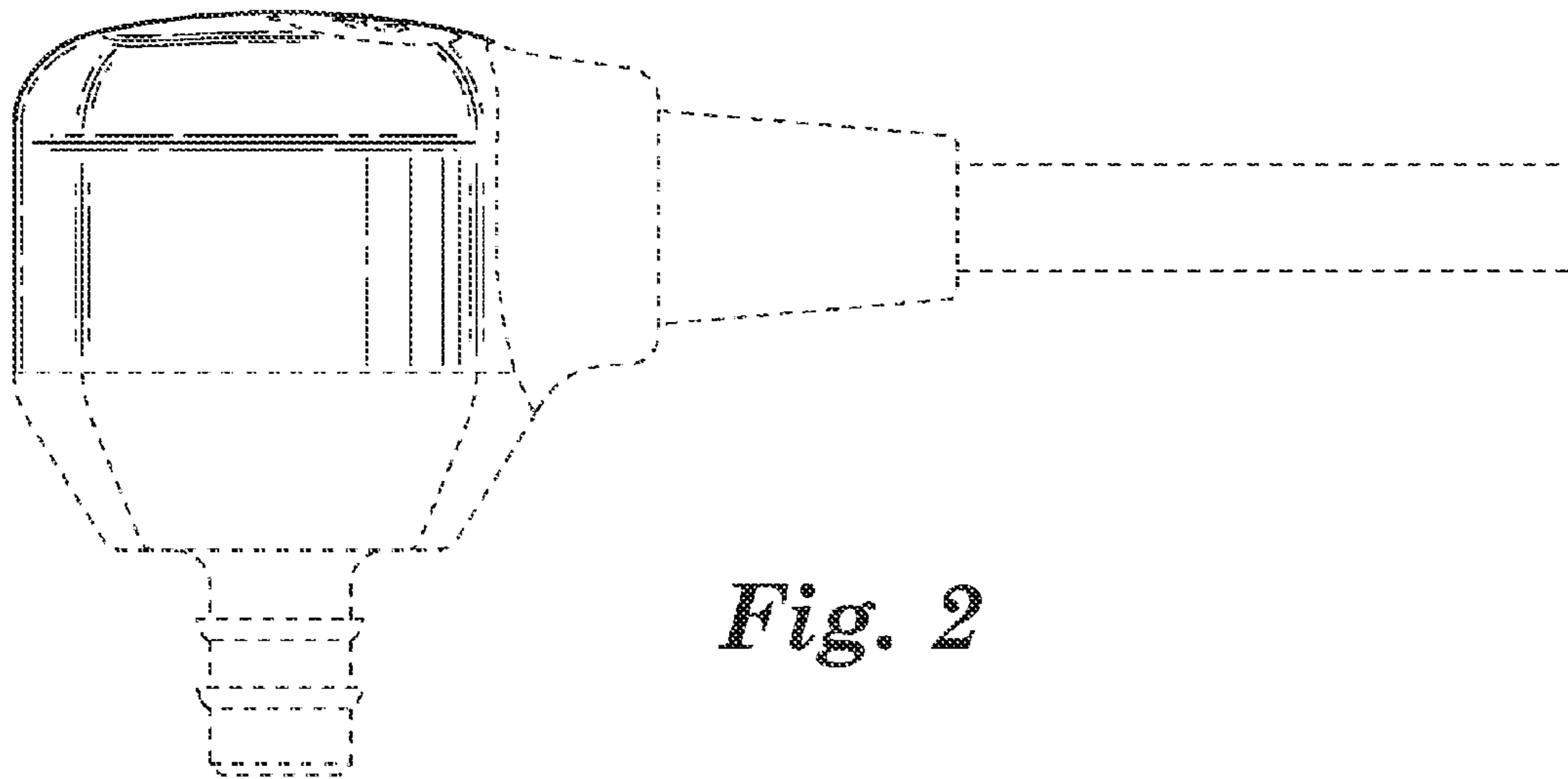


Fig. 2

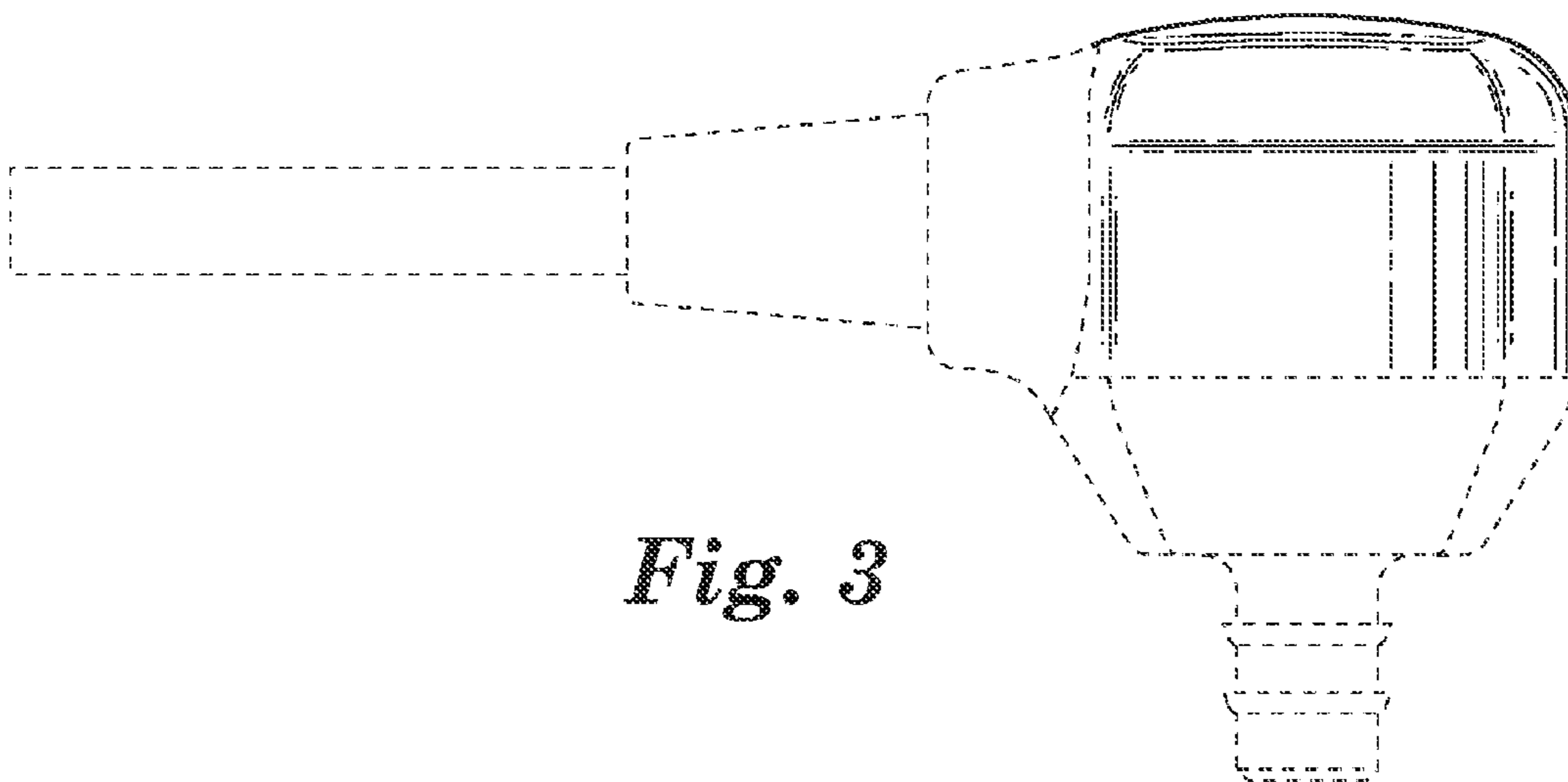


Fig. 3

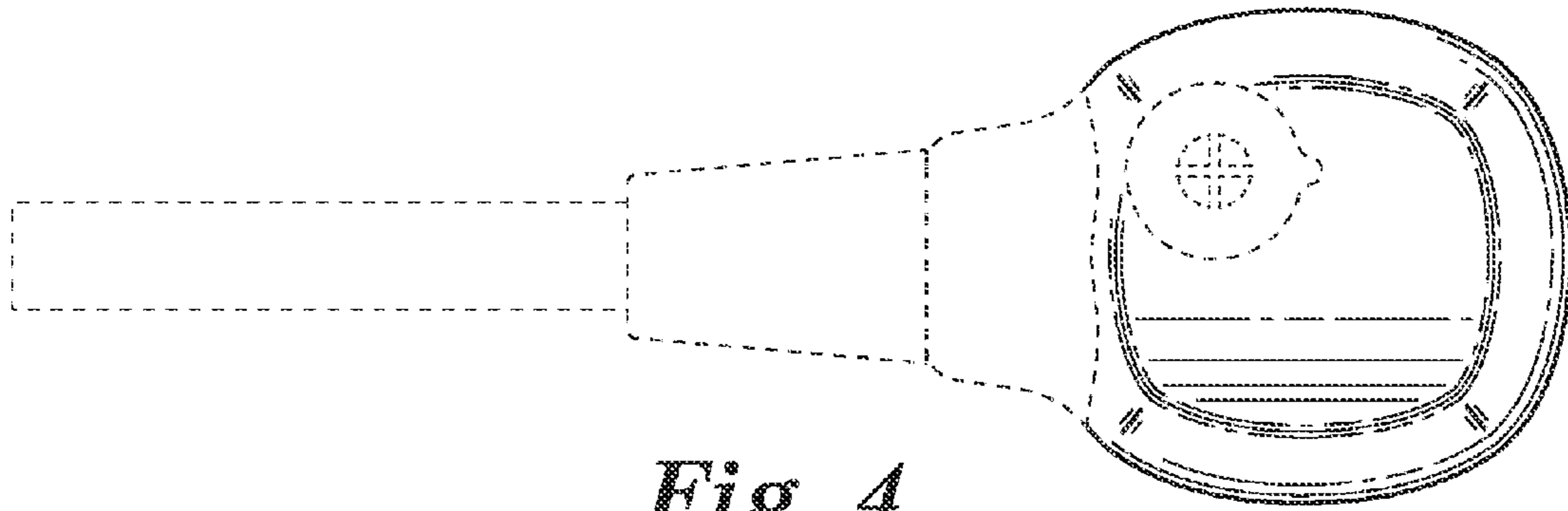


Fig. 4

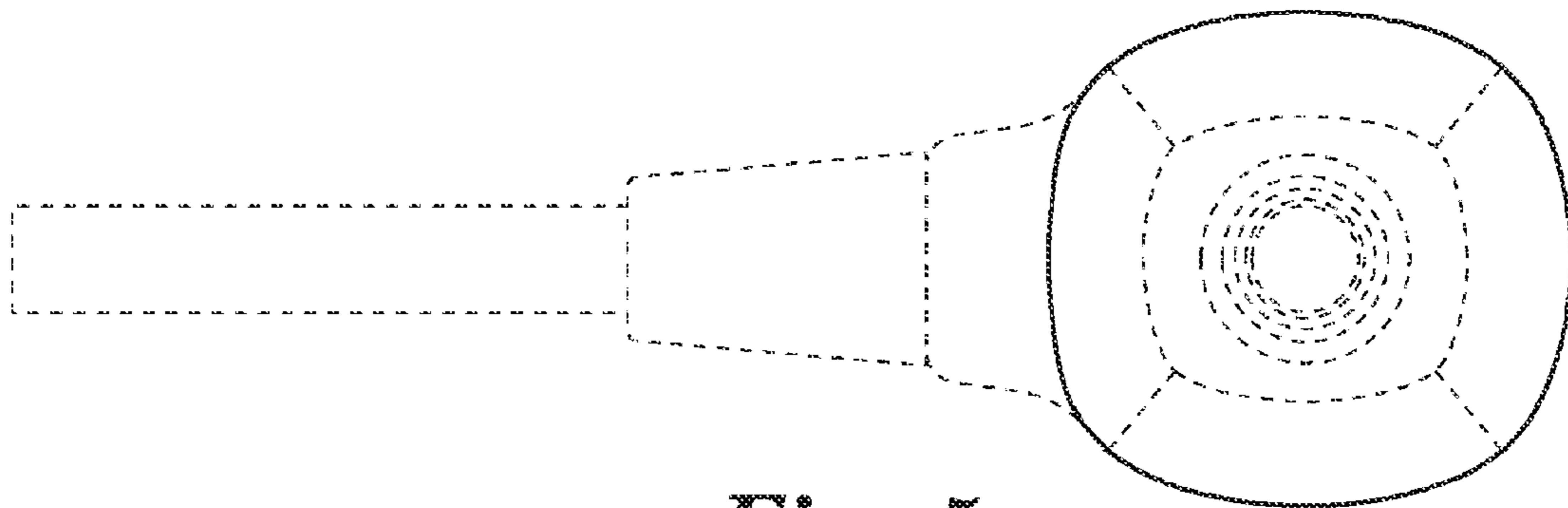


Fig. 5

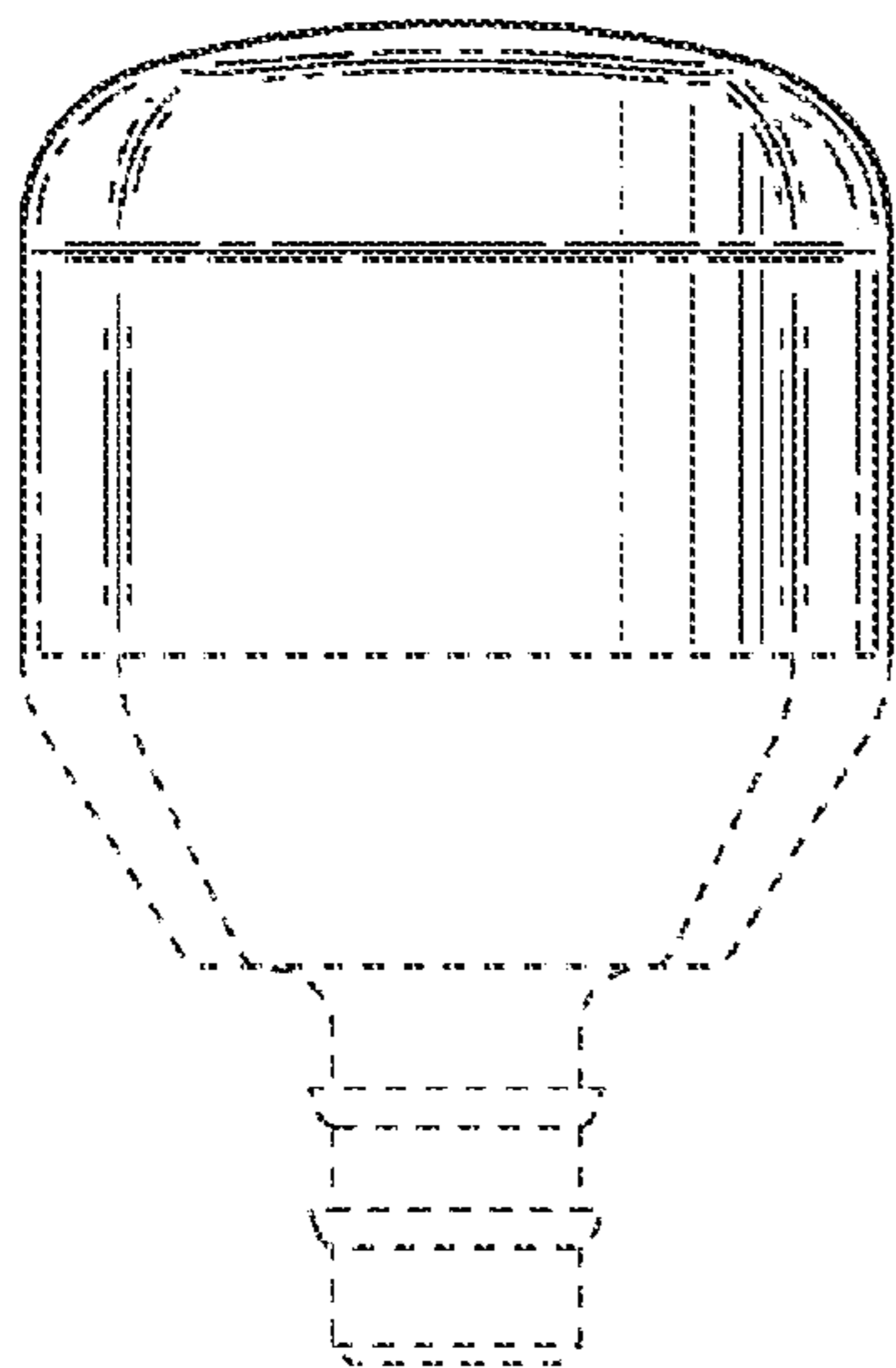


Fig. 6

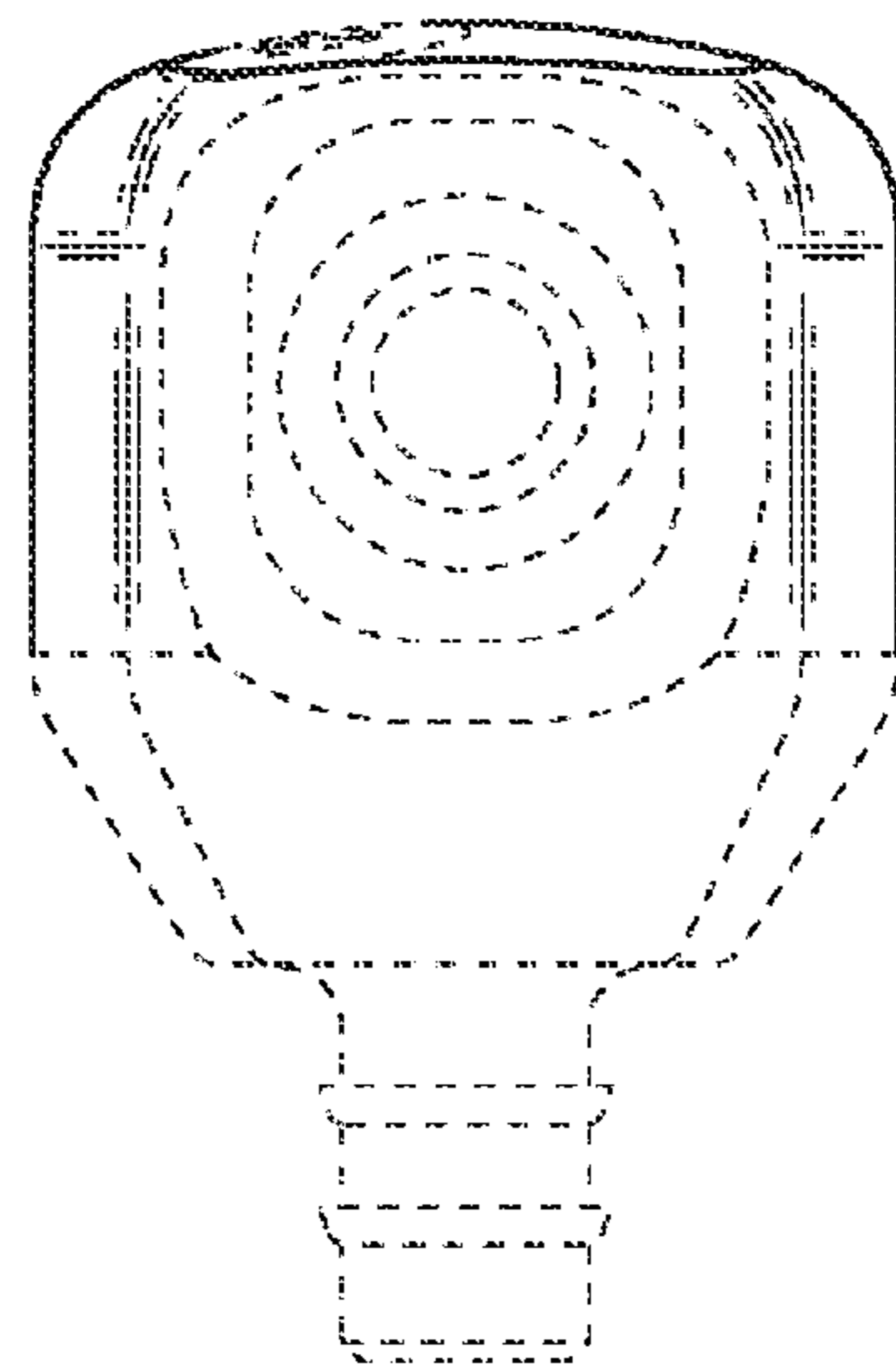


Fig. 7

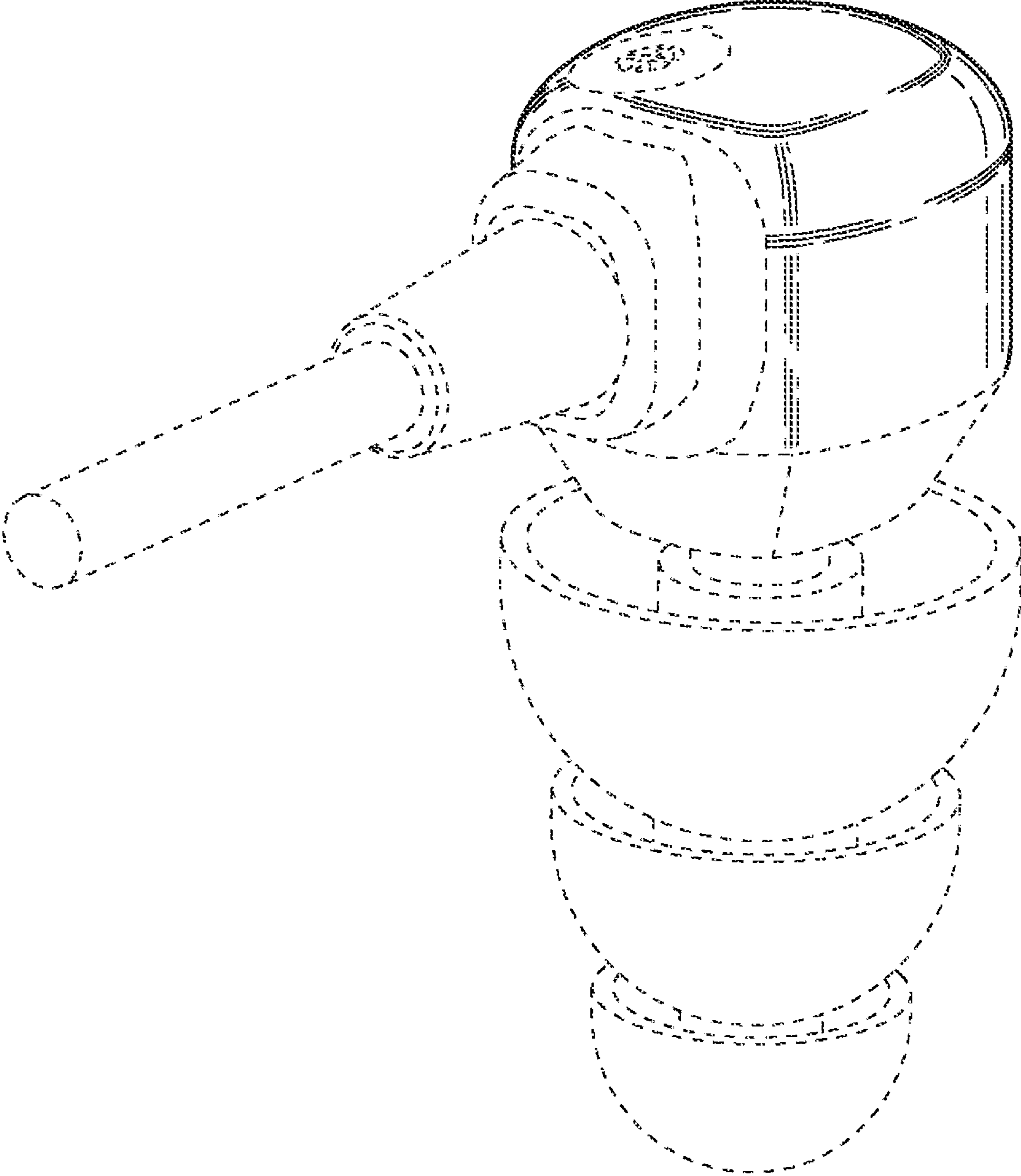


Fig. 8