



US00D632672S

(12) **United States Design Patent**
Choi

(10) **Patent No.:** **US D632,672 S**
(45) **Date of Patent:** **** Feb. 15, 2011**

(54) **SPEAKER**

(75) Inventor: **Shaun Seongwon Choi**, Hong Kong
(HK)

(73) Assignee: **Koninklijke Philips Electronics N.V.**,
Eindhoven (NL)

(**) Term: **14 Years**

(21) Appl. No.: **29/354,525**

(22) Filed: **Jan. 26, 2010**

(51) **LOC (9) Cl.** **14-01**

(52) **U.S. Cl.** **D14/216**

(58) **Field of Classification Search** D14/204,
D14/210–216, 168, 172; 181/143–144, 147–148,
181/150–153, 157, 198–199; 381/300–303,
381/306, 332–333, 336, 345, 361–364, 386–388
See application file for complete search history.

(56) **References Cited**

U.S. PATENT DOCUMENTS

D421,609 S * 3/2000 Warren D14/214

D485,258 S * 1/2004 Allen D14/215
D498,230 S * 11/2004 Tejima D14/214
D518,026 S * 3/2006 Dayan D14/215
D580,410 S * 11/2008 Omori et al. D14/215

* cited by examiner

Primary Examiner—Nanda Bondade

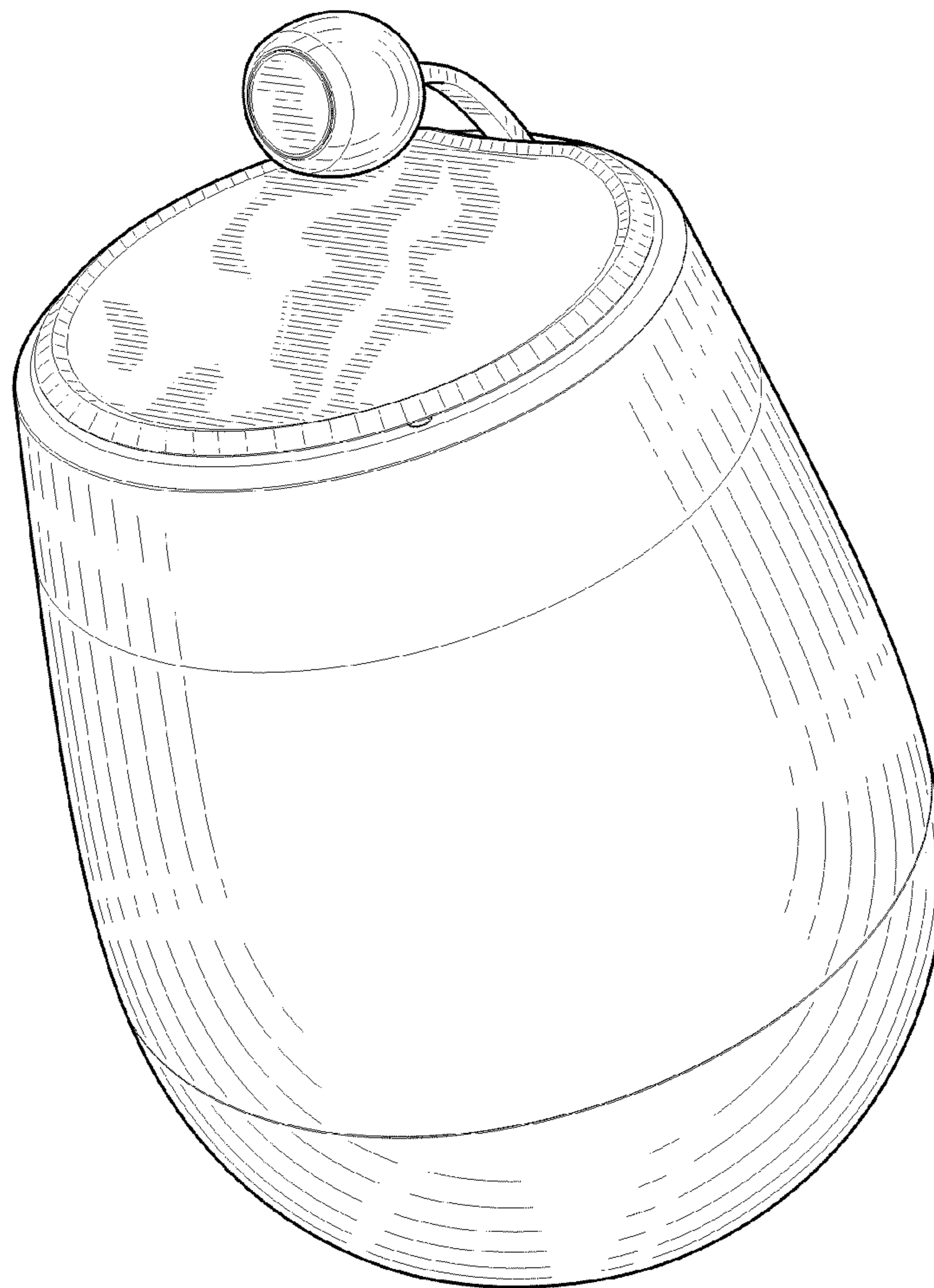
(57) **CLAIM**

The ornamental design for a speaker, as shown.

DESCRIPTION

FIG. 1 is a perspective view showing my design;
FIG. 2 is a front elevational view thereof;
FIG. 3 is a rear elevational view thereof;
FIG. 4 is a right side elevational view thereof;
FIG. 5 is a left side elevational view thereof;
FIG. 6 is a top plan view thereof; and,
FIG. 7 is a bottom plan view thereof.

1 Claim, 7 Drawing Sheets



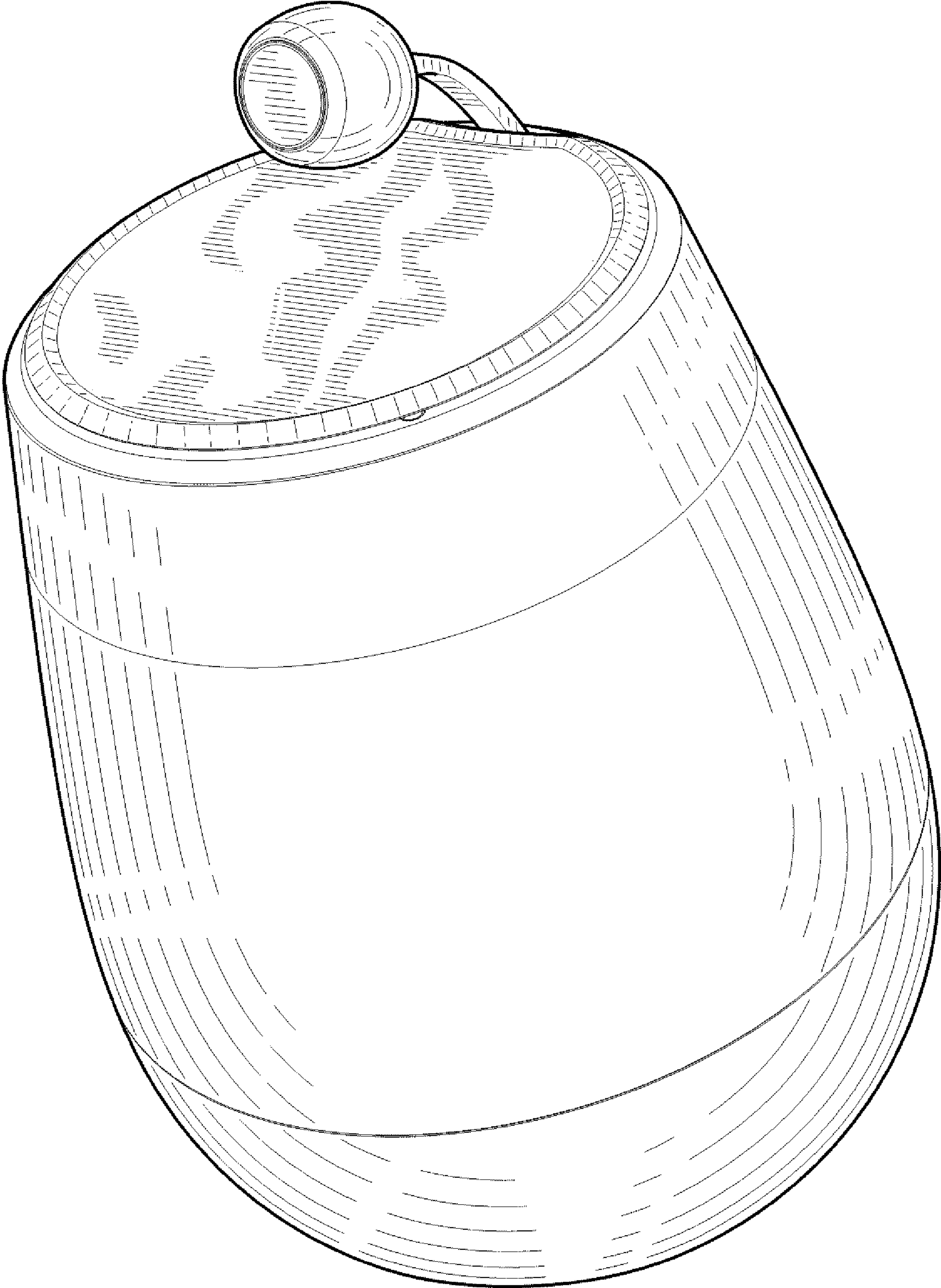


FIG. 1

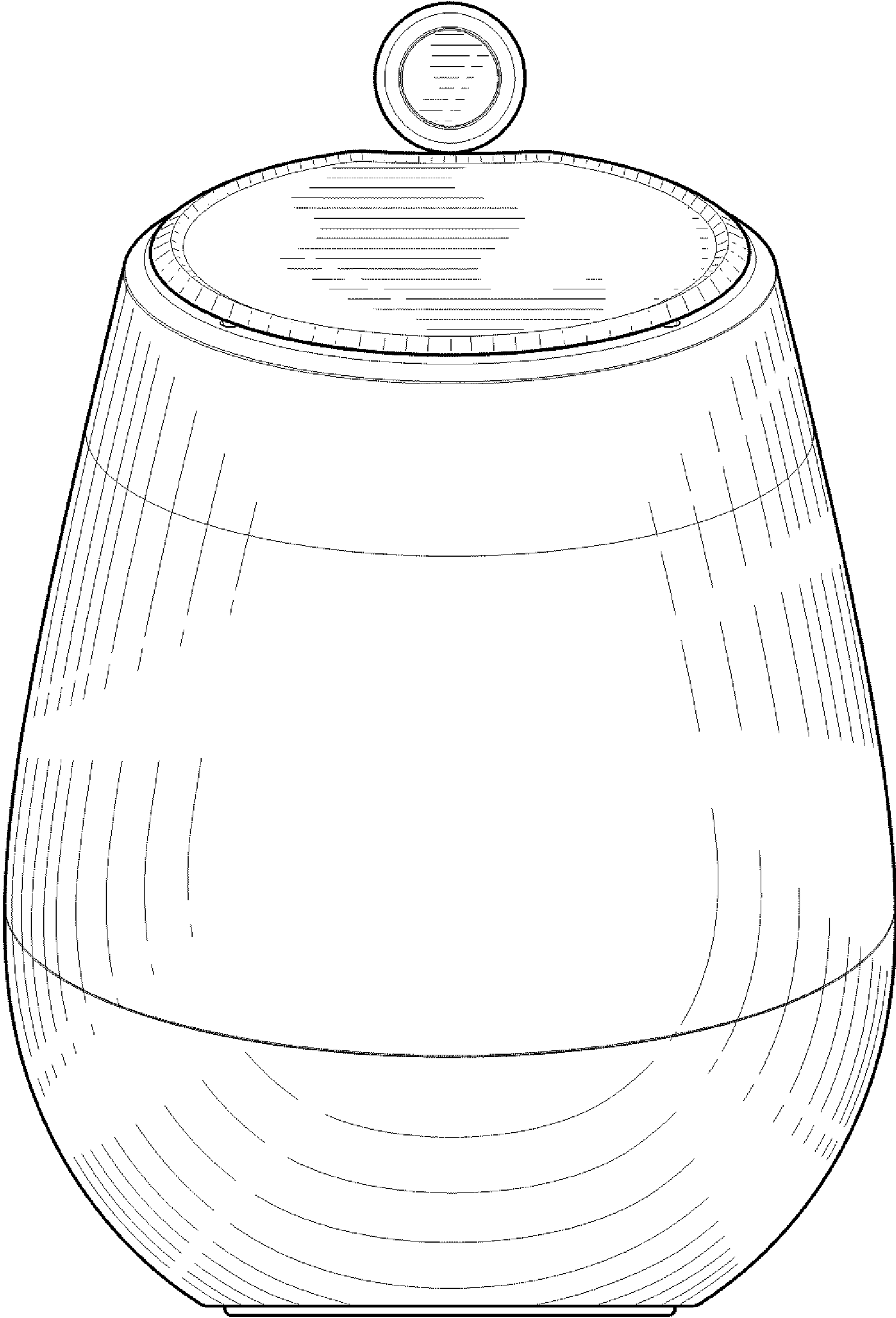


FIG. 2

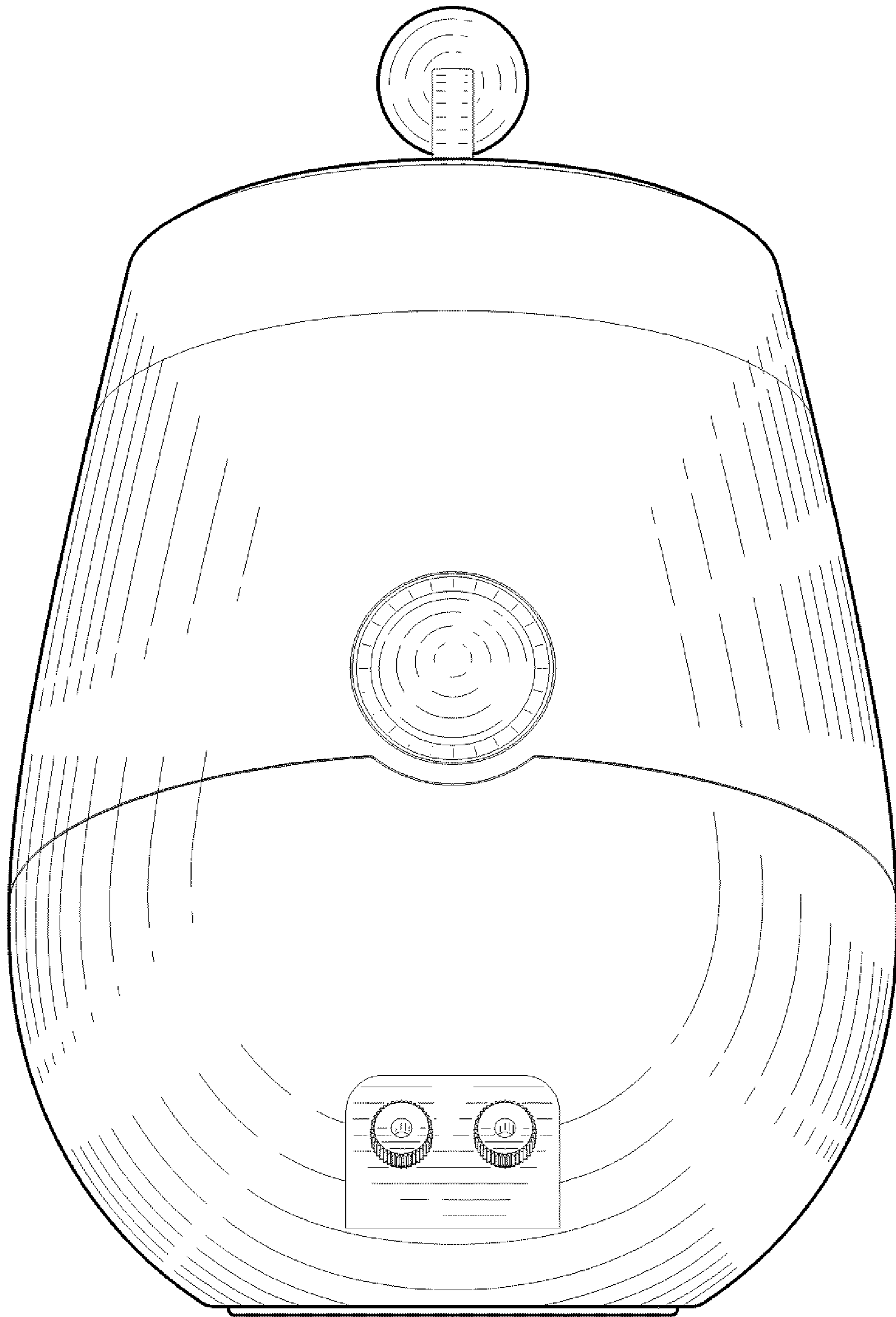


FIG. 3

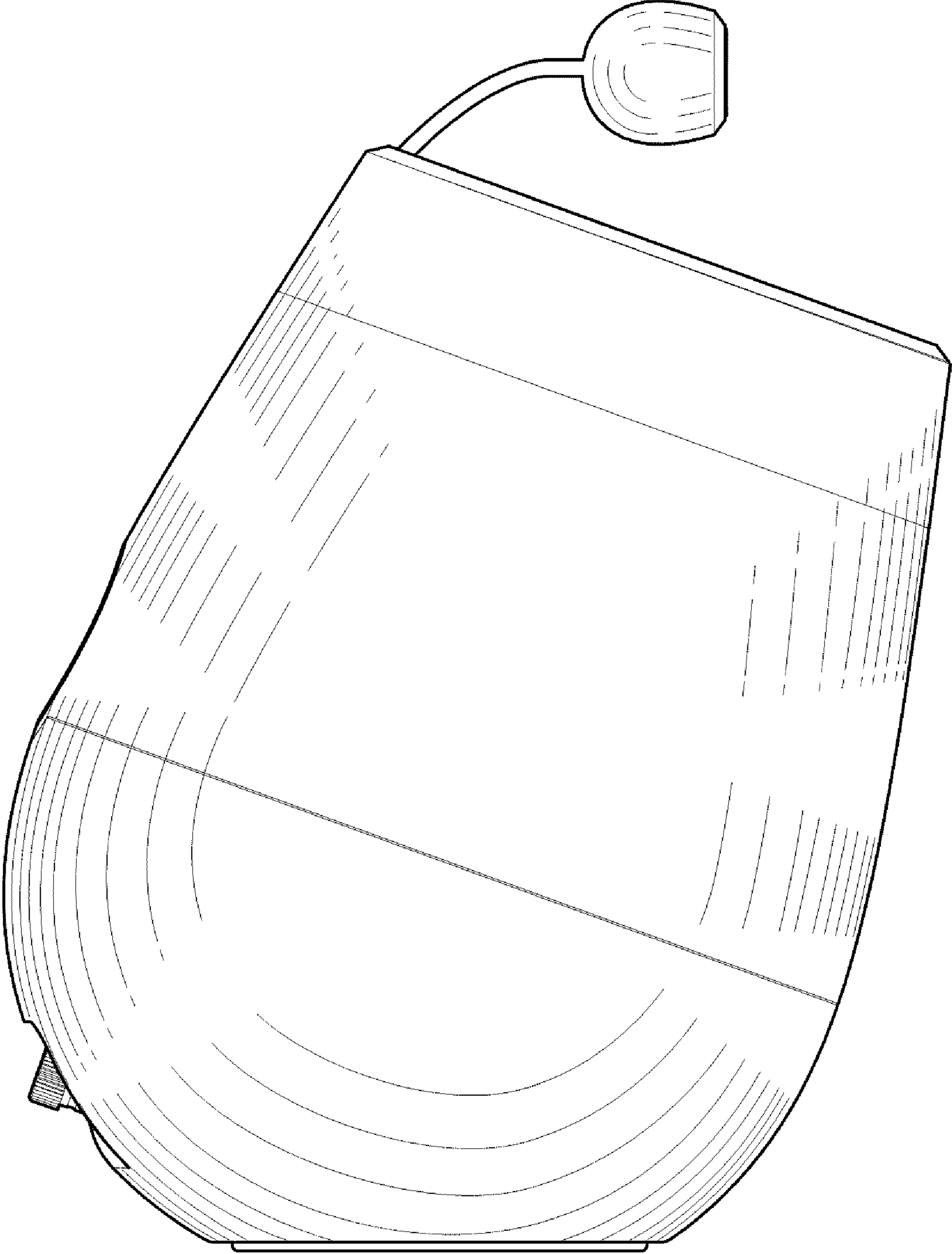


FIG.4

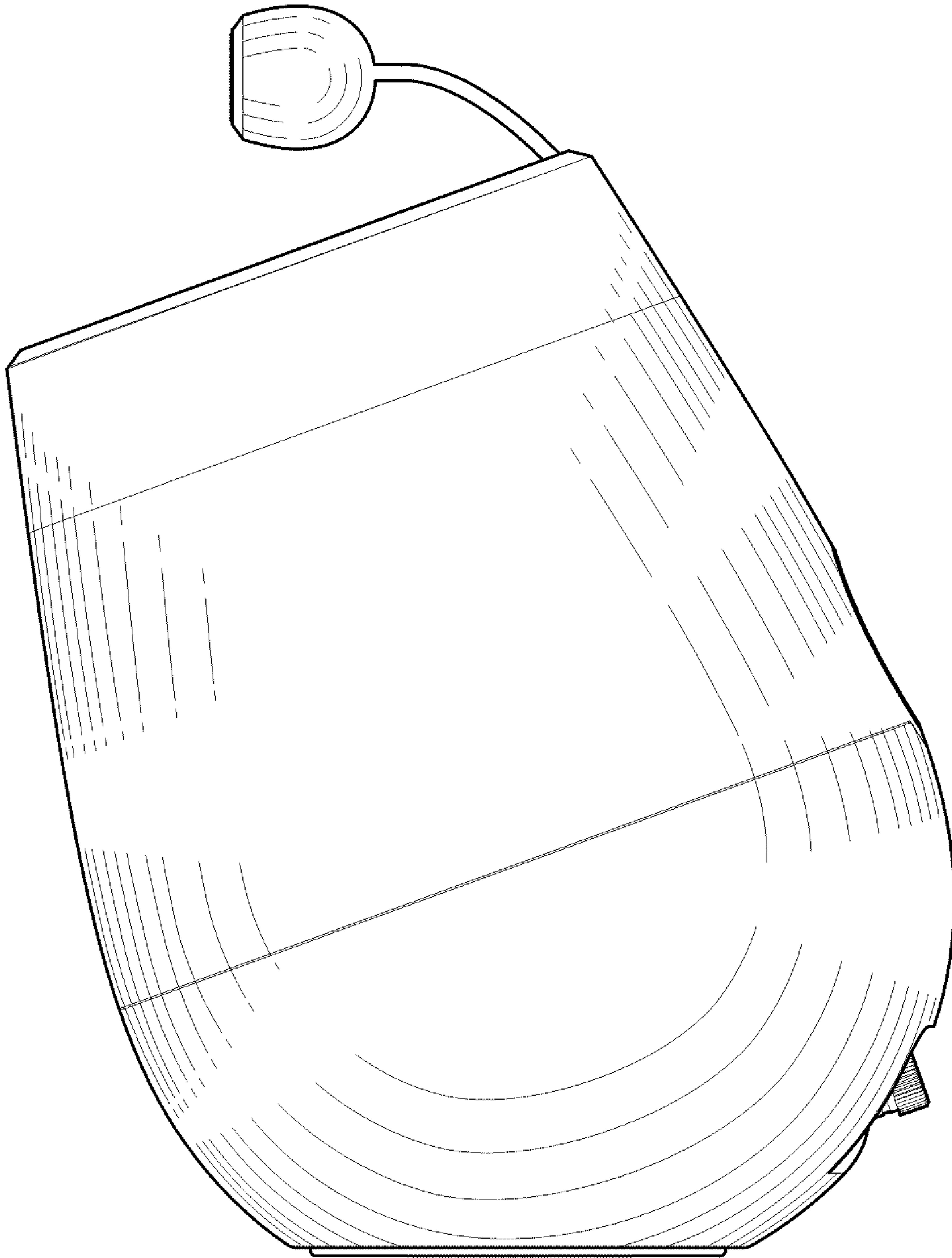


FIG. 5

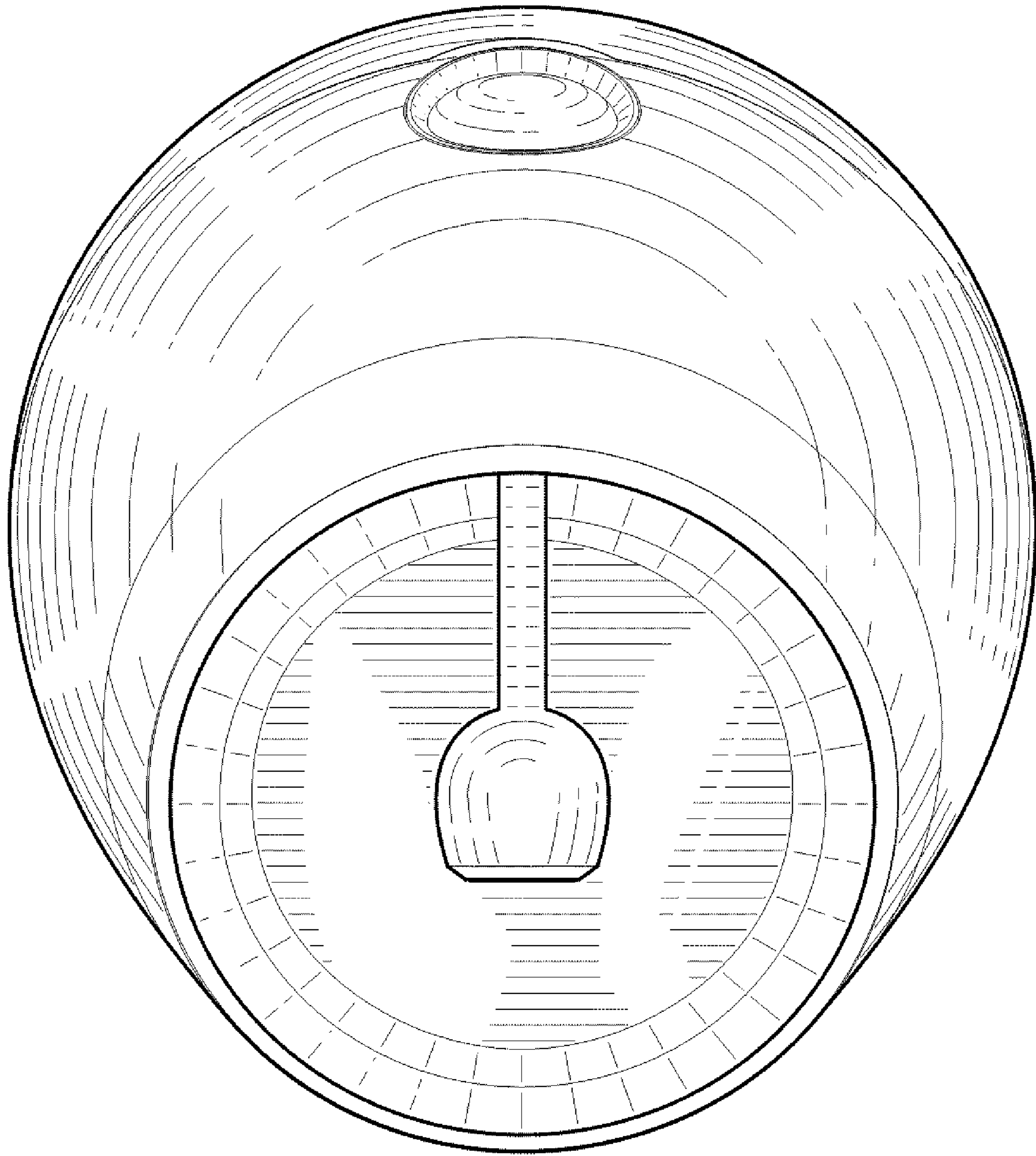


FIG. 6

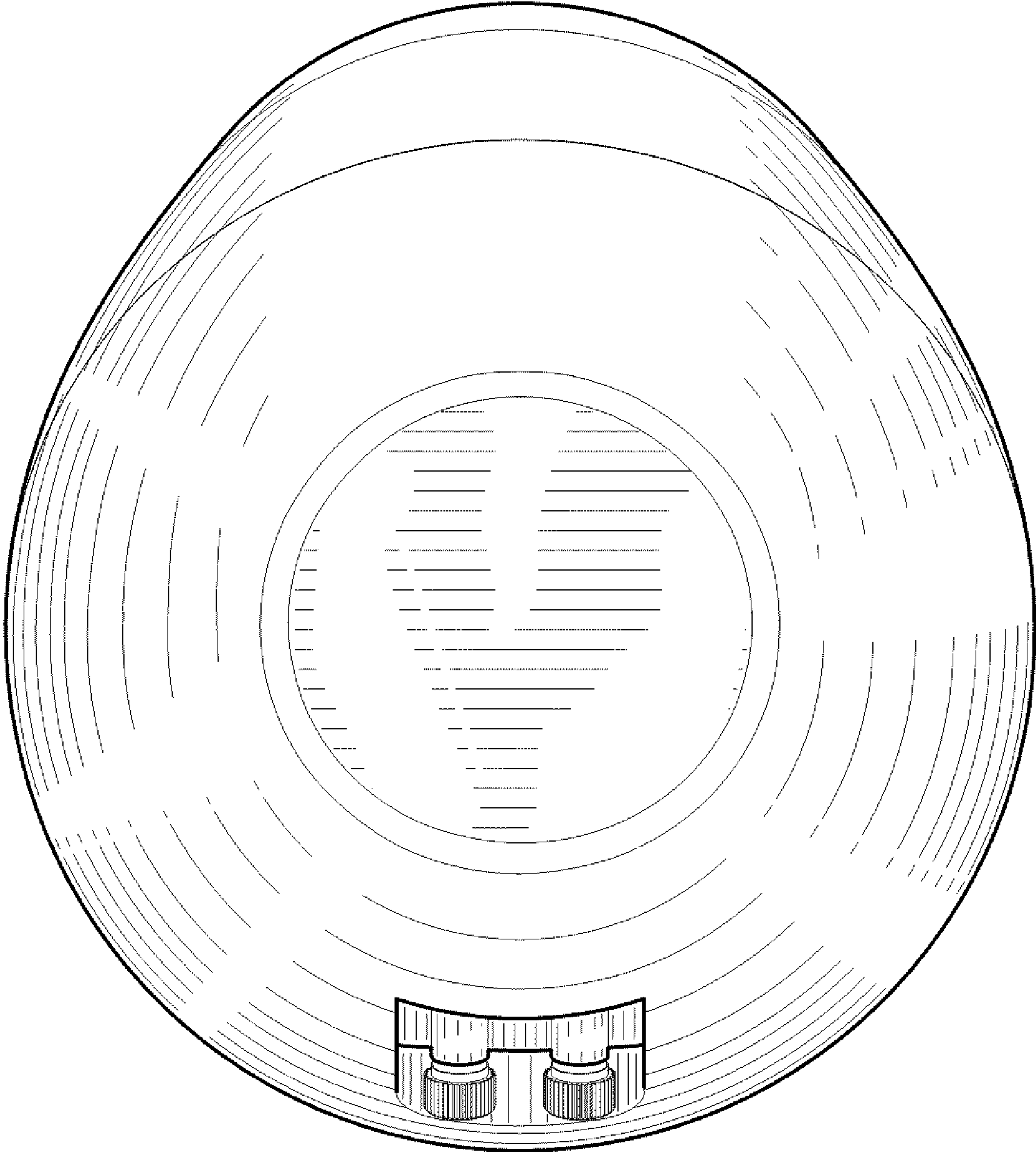


FIG. 7