



US00D632671S

(12) **United States Design Patent**
Wada

(10) **Patent No.:** **US D632,671 S**
(45) **Date of Patent:** **** Feb. 15, 2011**

(54) **SPEAKER**

D578,112 S 10/2008 Naito
D578,113 S 10/2008 Yagihashi
D583,803 S * 12/2008 Lum et al. D14/219

(75) Inventor: **Takayuki Wada**, Tokyo (JP)

(73) Assignee: **Sony Corporation**, Tokyo (JP)

(**) Term: **14 Years**

(21) Appl. No.: **29/347,522**

(22) Filed: **Feb. 19, 2010**

(51) **LOC (9) Cl.** **14-01**

(52) **U.S. Cl.** **D14/216**

(58) **Field of Classification Search** D14/204,
D14/210–216, 172; 181/143–144, 147–148,
181/150–153, 157–159, 198–199; 381/300–303,
381/306, 332–333, 336, 345, 361–364, 386–388
See application file for complete search history.

(56) **References Cited**

U.S. PATENT DOCUMENTS

6,079,514 A * 6/2000 Zingali 181/152
D480,070 S 9/2003 Hakoda
D486,818 S 2/2004 Shindo
D489,359 S 5/2004 Hakoda
D534,162 S 12/2006 Shindo
D550,204 S 9/2007 Kaneda
D556,738 S * 12/2007 Yao D14/216
D563,946 S 3/2008 Uehara
D563,947 S 3/2008 Uehara
D565,550 S 4/2008 Tai

FOREIGN PATENT DOCUMENTS

CN D107895 S 11/2005
CN 300979736 S 8/2009
JP D1303238 S 6/2007
JP D1303250 S 6/2007
JP D1330973 S 5/2008
JP D1336097 S 7/2008

* cited by examiner

Primary Examiner—Nanda Bondade

(74) *Attorney, Agent, or Firm*—Rader, Fishman & Grauer
PLLC

(57) **CLAIM**

The ornamental design for a speaker, as shown and described.

DESCRIPTION

FIG. 1 is a perspective view of a speaker showing my new design; and,

FIG. 2 is a front elevational view thereof.

Portions in broken lines are for illustrative purpose only and form no part of the claimed design. The dot-dash broken lines define boundaries of, and are not included in the claimed design.

1 Claim, 2 Drawing Sheets

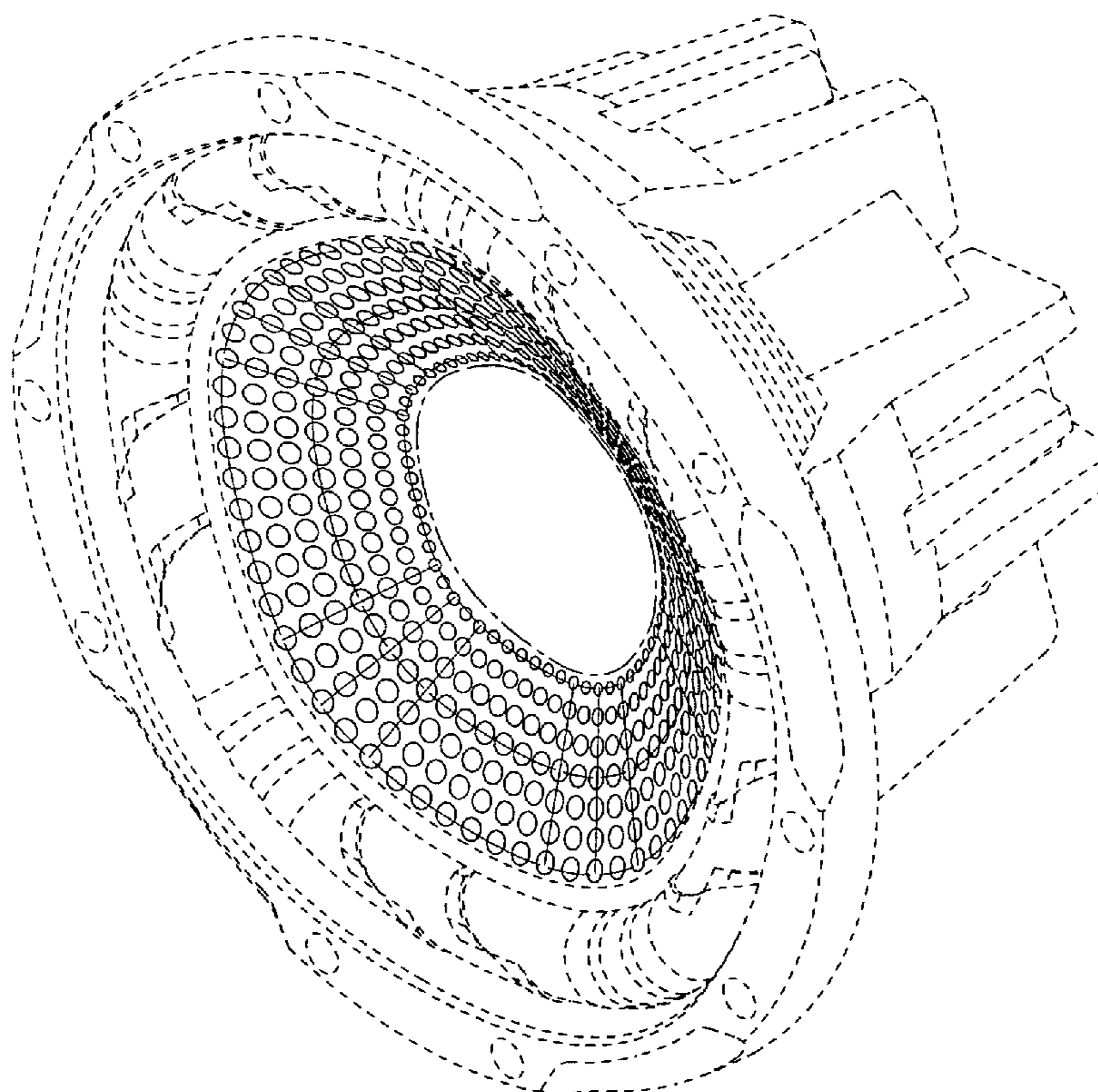


FIG.1

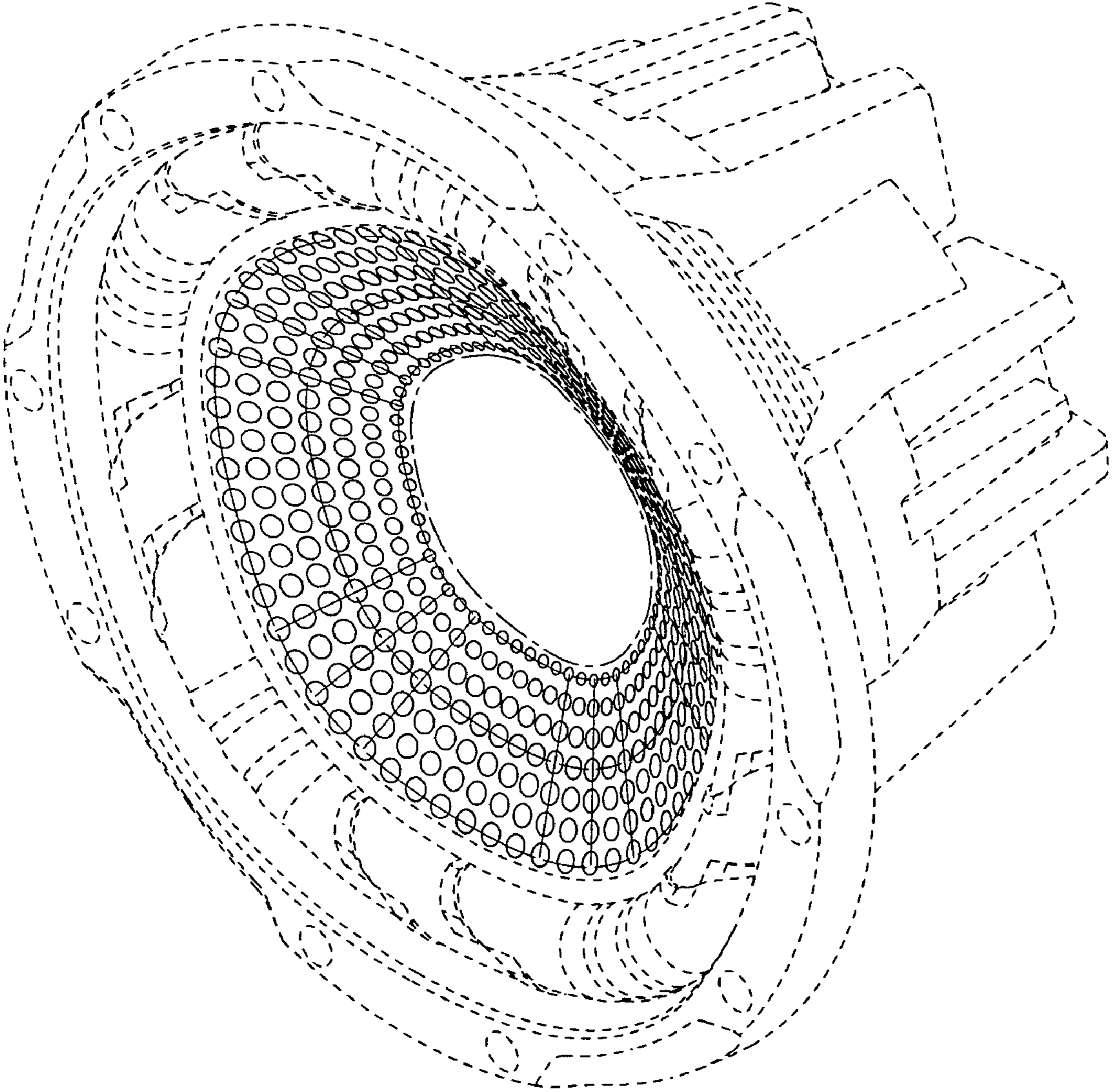


FIG.2

