



US00D632670S

(12) **United States Design Patent**  
**Chow**

(10) **Patent No.:** **US D632,670 S**

(45) **Date of Patent:** **\*\* Feb. 15, 2011**

(54) **DOCKING SPEAKER FOR MEDIA PLAYER**

(75) Inventor: **Kim Fung Chow**, Hong Kong SAR  
(CN)

(73) Assignee: **Alco Electronics Limited**, Quarry Bay,  
Hong Kong SAR (CN)

(\*\*) Term: **14 Years**

(21) Appl. No.: **29/356,537**

(22) Filed: **Feb. 26, 2010**

(30) **Foreign Application Priority Data**

Sep. 4, 2009 (HK) ..... 0901438

(51) **LOC (9) Cl.** ..... **14-01**

(52) **U.S. Cl.** ..... **D14/209.1**

(58) **Field of Classification Search** ..... D14/204,  
D14/207, 209.1, 210–214, 168, 171–172,  
D14/496, 498–510; 181/143–144, 147–148,  
181/150–153, 157, 198–199; 381/300–303,  
381/306, 332–333, 336, 345, 361–364, 386–388  
See application file for complete search history.

(56) **References Cited**

**U.S. PATENT DOCUMENTS**

D472,542 S \* 4/2003 Oikawa ..... D14/172

D521,498 S \* 5/2006 Omori et al. .... D14/215

D532,408 S \* 11/2006 Kita ..... D14/214

D540,310 S \* 4/2007 Yuyama ..... D14/214

D587,245 S \* 2/2009 Morra ..... D14/215

D590,373 S \* 4/2009 Brickstad ..... D14/215

\* cited by examiner

*Primary Examiner*—Nanda Bondade

(74) *Attorney, Agent, or Firm*—Leydig, Voit & Mayer, Ltd.

(57) **CLAIM**

The ornamental design for a docking speaker for media player, as shown and described.

**DESCRIPTION**

FIG. 1 is a perspective view of a docking speaker for media player showing my new design;

FIG. 2 is a front view thereof;

FIG. 3 is a rear view thereof;

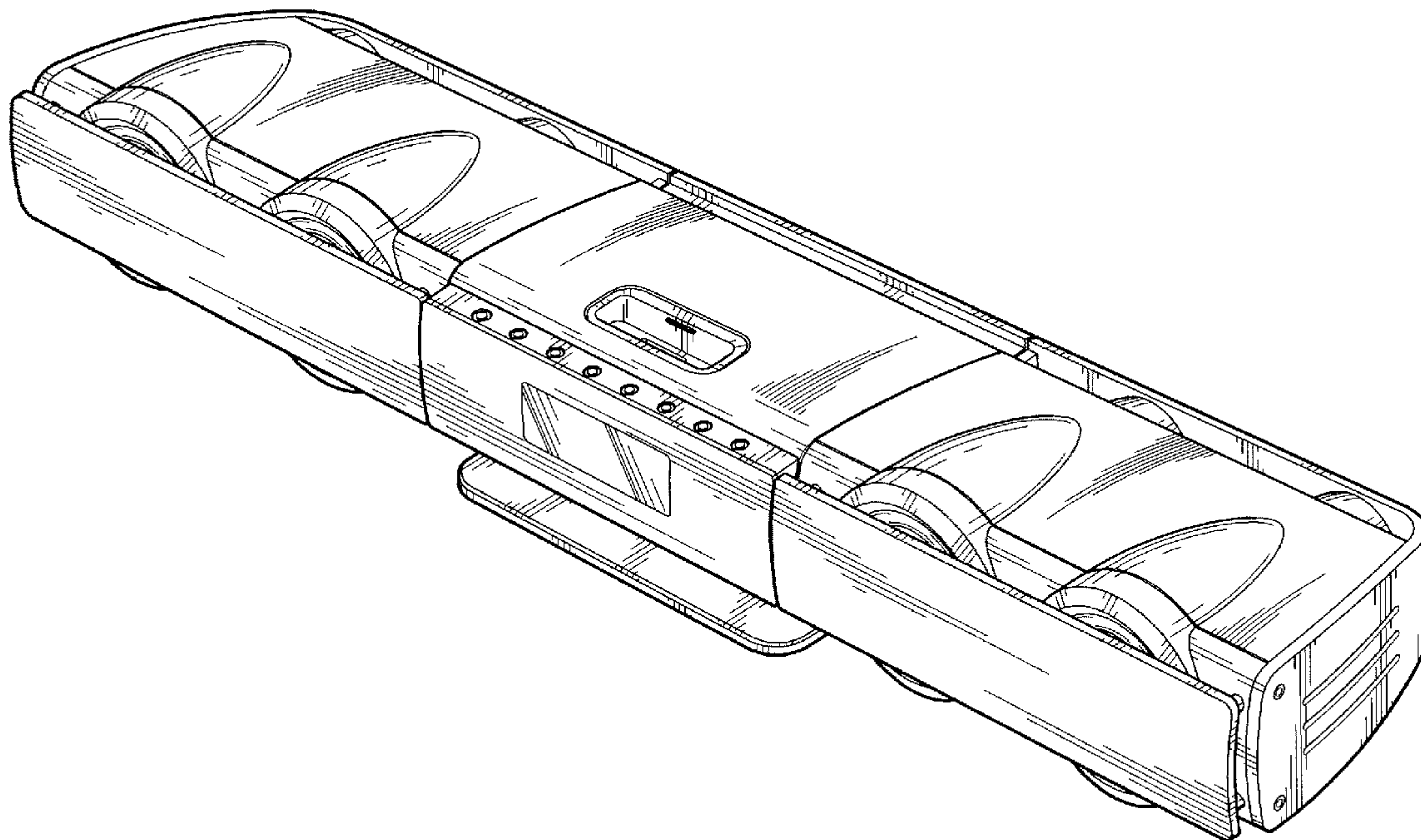
FIG. 4 is a left side view thereof;

FIG. 5 is a right side view thereof;

FIG. 6 is a top view thereof; and,

FIG. 7 is a bottom view thereof.

**1 Claim, 5 Drawing Sheets**



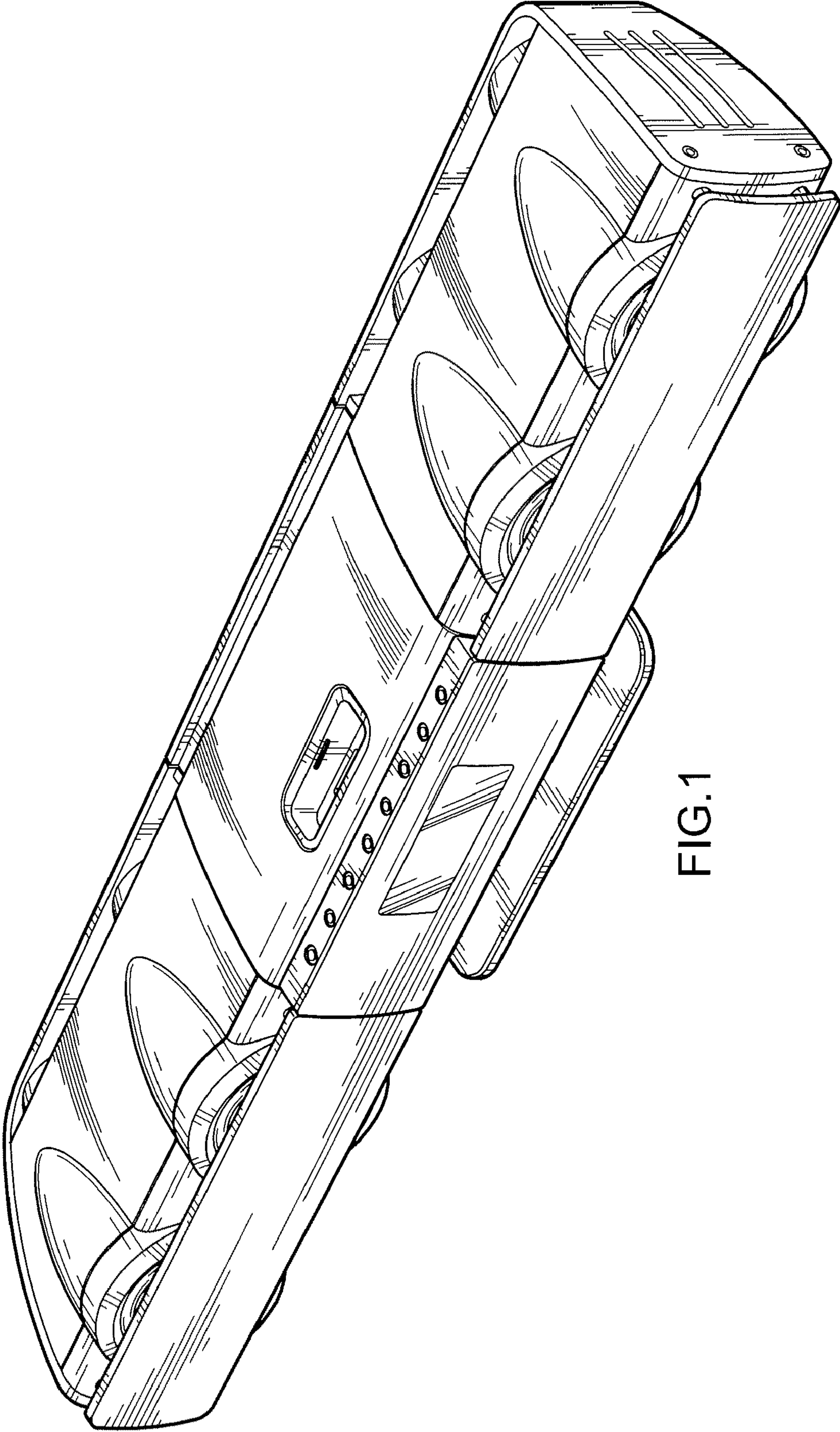


FIG.1

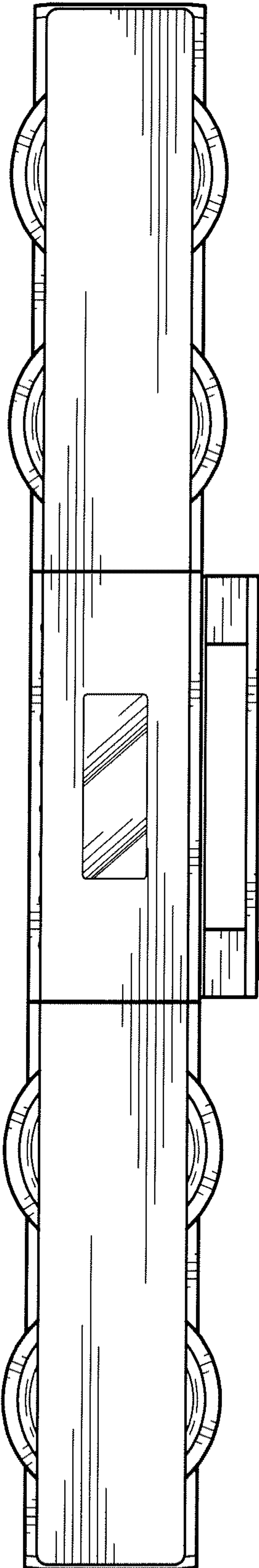


FIG. 2

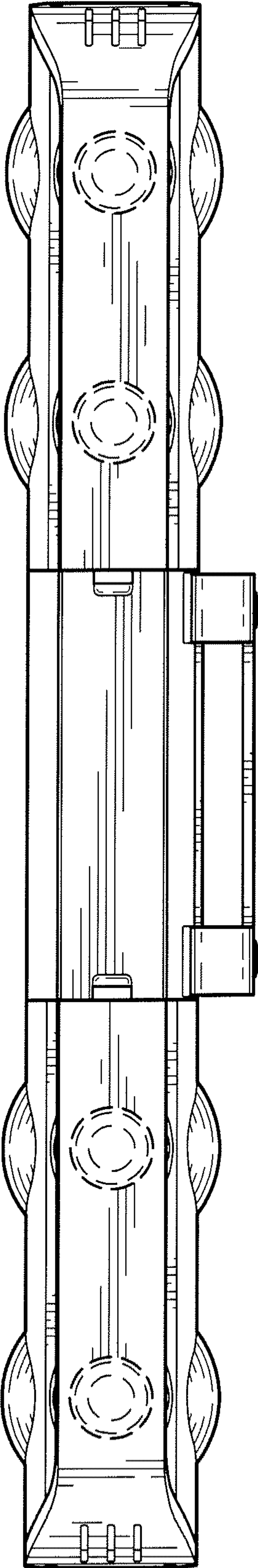


FIG. 3



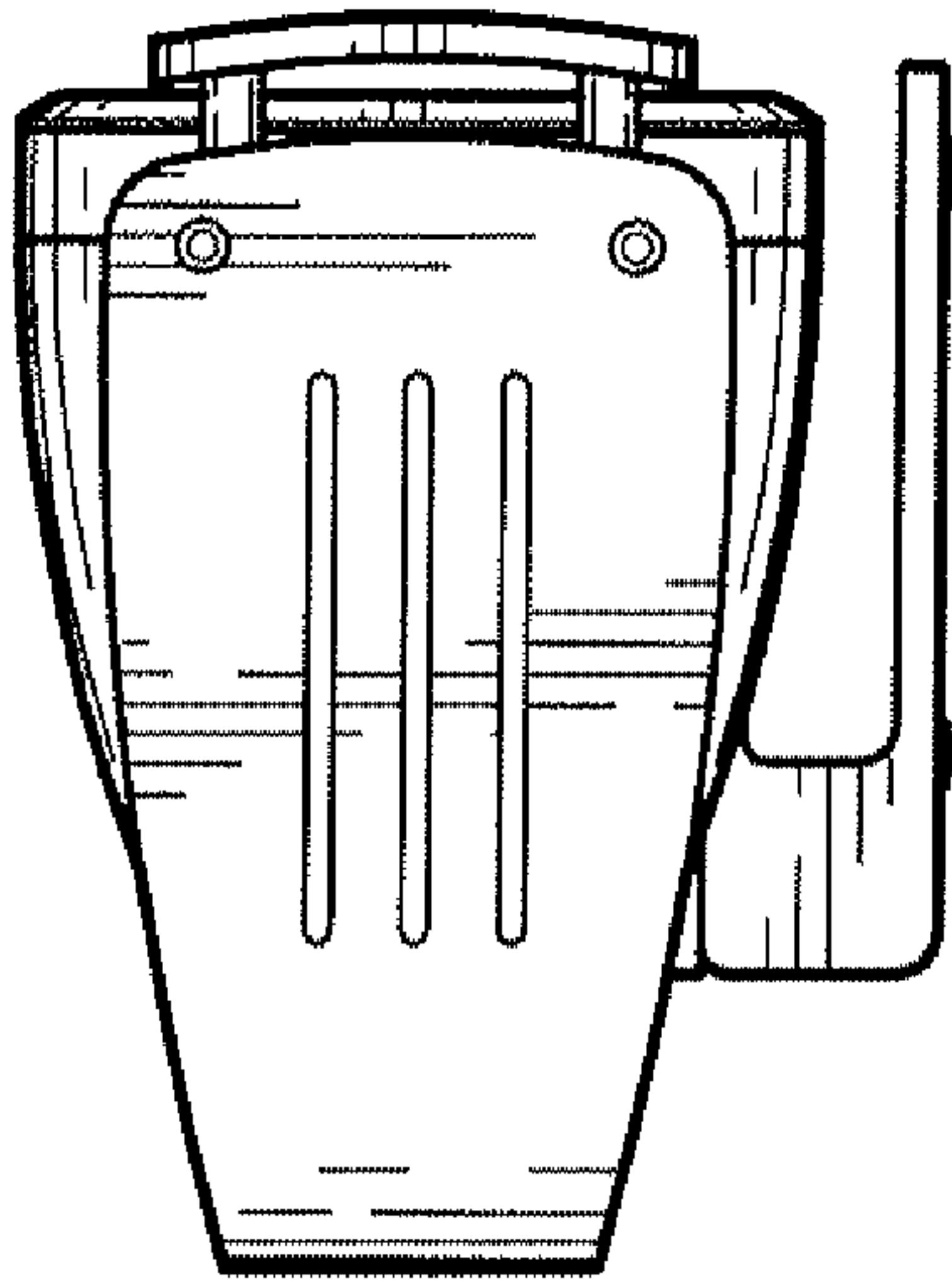


FIG. 4

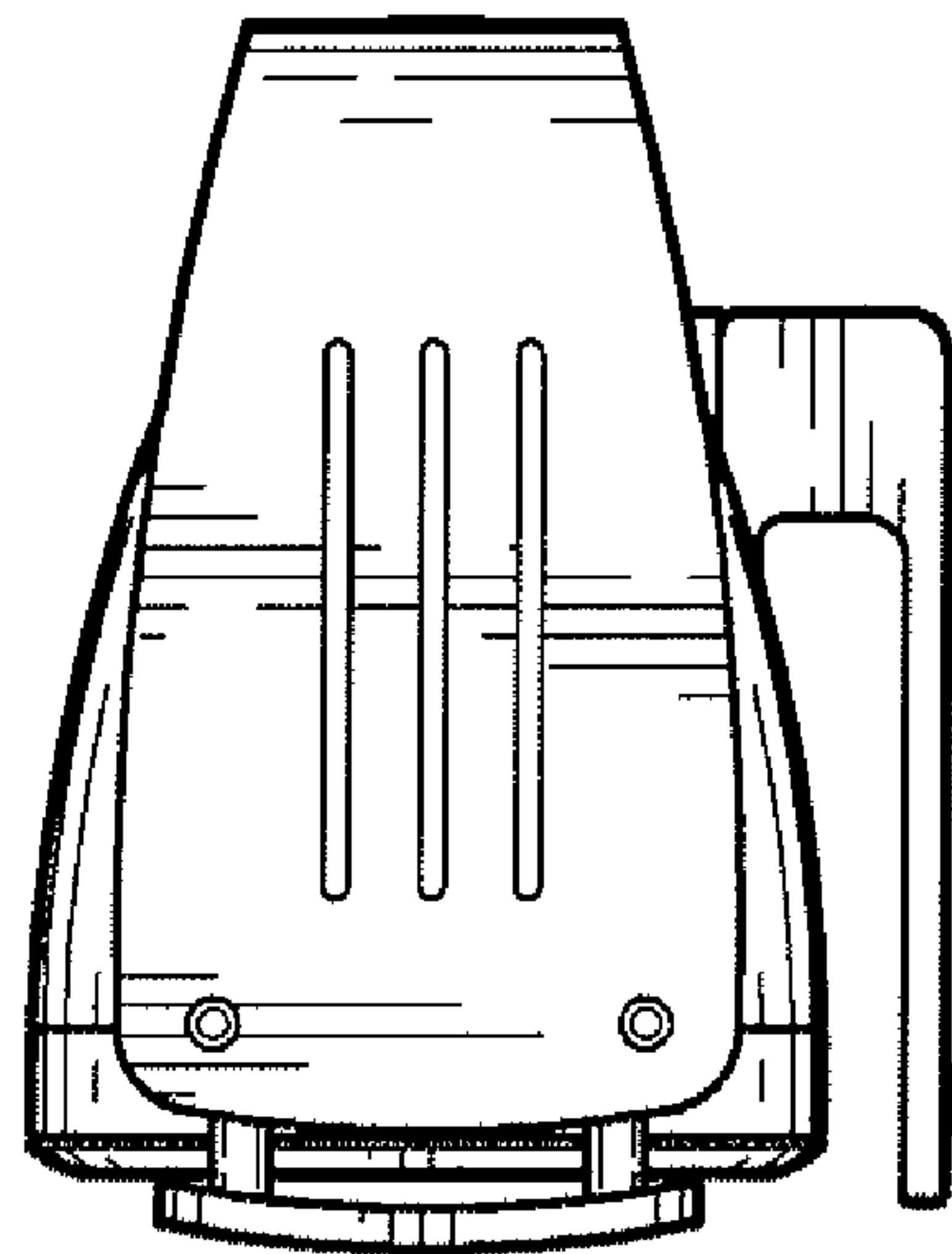


FIG. 5

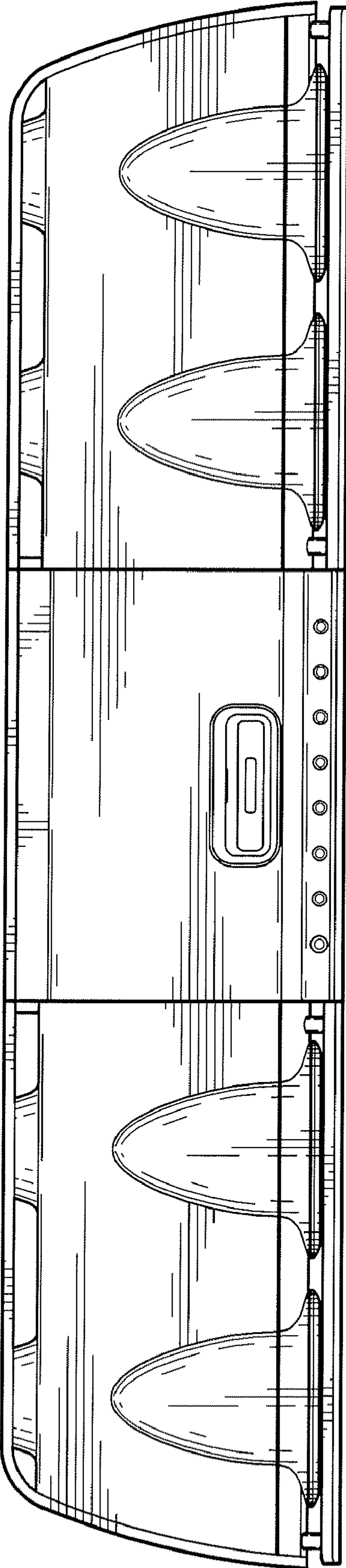


FIG.6

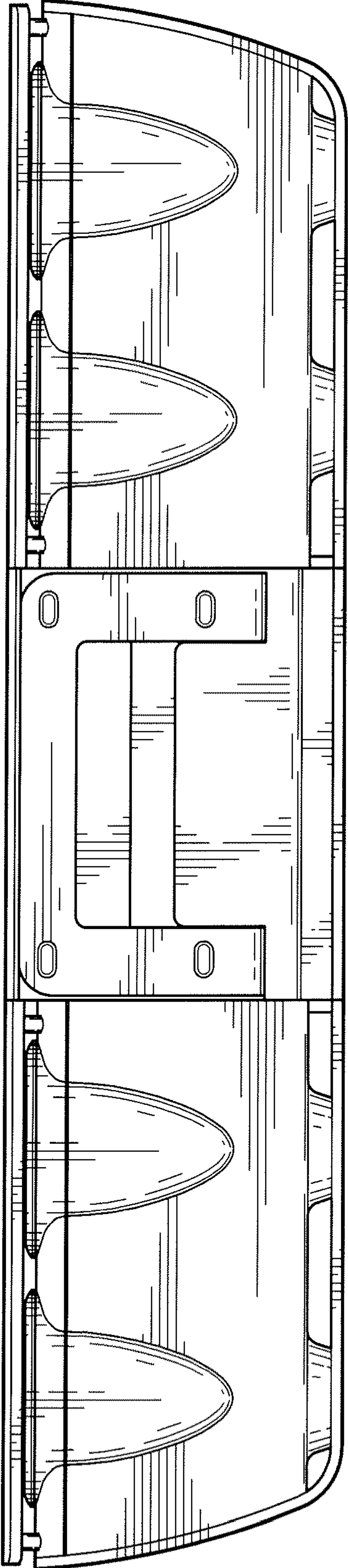


FIG.7