



US00D632660S

(12) **United States Design Patent**
Donowho et al.

(10) **Patent No.:** **US D632,660 S**
(45) **Date of Patent:** **** Feb. 15, 2011**

(54) **COVER FOR ELECTRONIC EQUIPMENT CABINET**

Chatsworth Products, Inc. et al., International Patent Application Serial No. PCT/US2007/75763, Applicant's file reference 3001.097, dated Aug. 13, 2008, 13 pages.

(75) Inventors: **D. Brian Donowho**, Austin, TX (US);
James I. Lawrence, Georgetown, TX (US);
Scott Alexander Smith, Lago Vista, TX (US)

(Continued)

Primary Examiner—Freda S Nunn
(74) *Attorney, Agent, or Firm*—Tillman Wright, PLLC;
James D. Wright; Chad D. Tillman

(73) Assignee: **Chatsworth Products, Inc.**, Westlake Village, CA (US)

(**) Term: **14 Years**

(21) Appl. No.: **29/345,403**

(22) Filed: **Oct. 15, 2009**

(57) **CLAIM**

The ornamental design for a cover for electronic equipment cabinet, as shown.

Related U.S. Application Data

(63) Continuation-in-part of application No. 29/335,697, filed on Apr. 20, 2009.

DESCRIPTION

FIG. 1 is an isometric view of the design for a cover for electronic equipment cabinet in accordance with a preferred embodiment of the present invention;

(51) **LOC (9) Cl.** **13-99**

(52) **U.S. Cl.** **D13/184**

(58) **Field of Classification Search** D14/441-446;
D13/162, 184, 199; 312/223.2; 361/679.01,
361/679.02, 679.33, 679.55, 679.27, 727;
369/34.01, 36.01; D8/356

FIG. 2 is a right side view of the cover for electronic equipment cabinet of FIG. 1;

FIG. 3 is a left side view of the cover for electronic equipment cabinet of FIG. 1;

FIG. 4 is a sectional view of the cover for electronic equipment cabinet taken along line 4-4 of FIG. 1;

FIG. 5 is a front view of the cover for electronic equipment cabinet of FIG. 1;

See application file for complete search history.

FIG. 6 is an enlarged view of a portion of the cover for electronic equipment cabinet of FIG. 5;

(56) **References Cited**

U.S. PATENT DOCUMENTS

2,091,549 A * 8/1937 Kelso 220/4.28

FIG. 7 is enlarged view of another portion of the cover for electronic equipment cabinet of FIG. 5;

FIG. 8 is a rear view of the cover for electronic equipment cabinet of FIG. 1;

(Continued)

FOREIGN PATENT DOCUMENTS

AU 322229 11/2008

FIG. 9 is a top view of the cover for electronic equipment cabinet of FIG. 1; and,

(Continued)

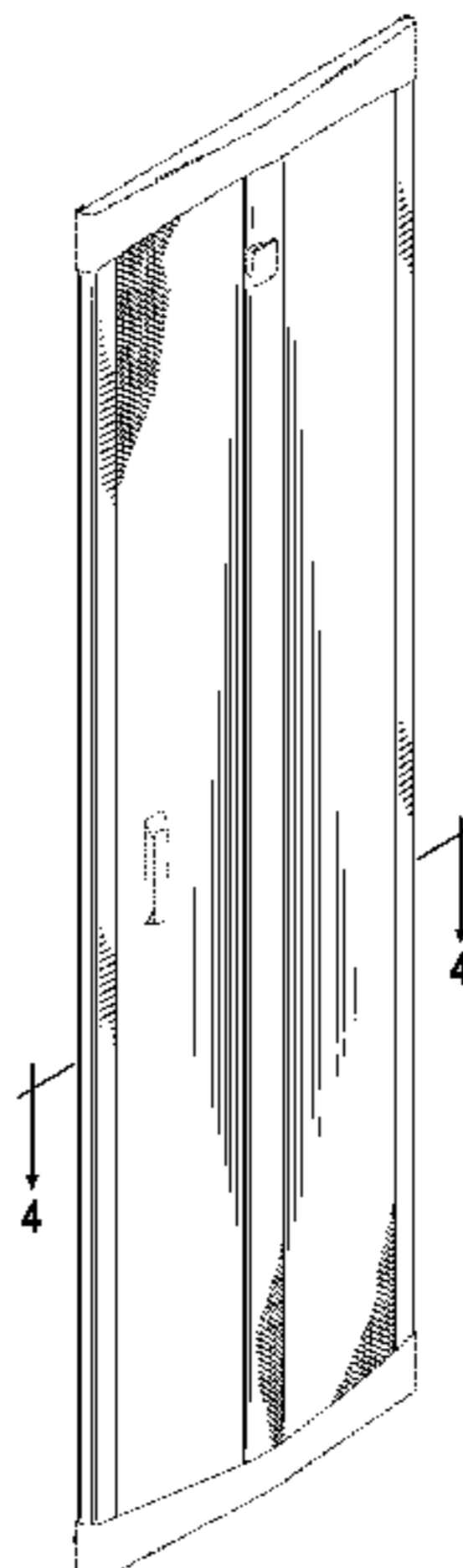
OTHER PUBLICATIONS

FIG. 10 is a bottom view of the cover for electronic equipment cabinet of FIG. 1.

Broken lines shown in the drawings illustrate portions of the cover for electronic equipment cabinet, and form no part of the claimed design.

“International Search Report” and “Written Opinion of the International Search Authority” (Korean Intellectual Property Office) in

1 Claim, 7 Drawing Sheets



US D632,660 S

U.S. PATENT DOCUMENTS			FOREIGN PATENT DOCUMENTS					
2,921,607	A	1/1960	Caveney	D552,103	S *	10/2007	Zhou	D14/441
3,034,844	A	5/1962	Anderson et al.	D552,105	S *	10/2007	Ma	D14/441
3,247,312	A	4/1966	Allessi	D555,641	S	11/2007	Levesque et al.	
3,563,627	A	2/1971	Whipps	D555,654	S *	11/2007	Chen	D14/441
4,502,609	A	3/1985	Christatos	7,293,666	B2	11/2007	Mattlin et al.	
4,902,852	A	2/1990	Wuertz	7,362,941	B2	4/2008	Rinderer et al.	
5,020,866	A	6/1991	McIlwraith	7,425,678	B2	9/2008	Adducci et al.	
5,147,121	A	9/1992	McIlwraith	7,427,713	B2	9/2008	Adducci et al.	
5,165,770	A	11/1992	Hahn	D578,538	S	10/2008	Frank et al.	
5,202,818	A	4/1993	Betsch et al.	7,438,638	B2	10/2008	Lewis et al.	
5,216,579	A	6/1993	Basara et al.	D580,195	S	11/2008	Daino et al.	
RE34,393	E	9/1993	McIlwraith	D584,251	S	1/2009	Lewis et al.	
D340,700	S	10/1993	Shukur et al.	D584,252	S	1/2009	Lewis et al.	
5,250,752	A	10/1993	Cutright	7,472,970	B2	1/2009	Bergesch et al.	
5,294,748	A	3/1994	Schwenk et al.	7,485,803	B2	2/2009	Adducci et al.	
D348,469	S	7/1994	Johnson et al.	7,495,169	B2	2/2009	Adducci et al.	
5,380,083	A	1/1995	Jones et al.	D588,081	S	3/2009	Lewis, II et al.	
5,460,441	A	10/1995	Hastings et al.	D589,518	S *	3/2009	Keith et al.	D14/441
D366,247	S	1/1996	Mazura et al.	7,504,581	B2	3/2009	Adducci et al.	
5,498,073	A	3/1996	Charbonneau et al.	D592,618	S	5/2009	Lewis, II et al.	
5,536,079	A	7/1996	Kostic	D592,938	S	5/2009	Pae et al.	
5,568,362	A	10/1996	Hansson	7,542,287	B2	6/2009	Lewis, II et al.	
5,570,940	A	11/1996	Maro	D596,928	S	7/2009	Lawrence et al.	
D379,004	S	4/1997	Keijser et al.	D596,929	S	7/2009	Lawrence et al.	
5,639,150	A	6/1997	Anderson et al.	D602,764	S	10/2009	Pae et al.	
D390,835	S	2/1998	Mayfield, III	D611,326	S	3/2010	Alaniz et al.	
5,806,945	A	9/1998	Anderson et al.	2003/0020379	A1	1/2003	Larsen et al.	
5,806,946	A	9/1998	Benner et al.	2004/0050808	A1	3/2004	Krampotich et al.	
D402,639	S	12/1998	Baxter et al.	2004/0173545	A1	9/2004	Canty et al.	
5,848,500	A	12/1998	Kirk	2004/0183409	A1	9/2004	Rinderer	
D407,385	S	3/1999	Belanger et al.	2004/0190270	A1	9/2004	Aldag et al.	
5,938,302	A	8/1999	Anderson et al.	2004/0201335	A1	10/2004	Davis	
5,997,117	A	12/1999	Krietzman	2005/0103517	A1	5/2005	Canepa	
6,006,925	A	12/1999	Sevier	2005/0115152	A1	6/2005	Levesque et al.	
D418,927	S	1/2000	Levesque	2005/0115737	A1	6/2005	Levesque et al.	
6,036,290	A	3/2000	Jancsek et al.	2005/0221683	A1	10/2005	McGrath et al.	
6,044,193	A	3/2000	Szentesi et al.	2005/0247650	A1	11/2005	Vogel et al.	
D425,044	S *	5/2000	Jean et al. D14/446	2005/0259383	A1	11/2005	Ewing et al.	
D427,454	S	7/2000	Munch et al.	2006/0054336	A1	3/2006	McNutt et al.	
D432,098	S	10/2000	Nelson et al.	2006/0059802	A1	3/2006	McNutt et al.	
D440,210	S	4/2001	Larsen et al.	2006/0091086	A1	5/2006	Canty et al.	
6,213,577	B1	4/2001	Rooyakkers et al.	2006/0162948	A1	7/2006	Rinderer et al.	
D441,728	S	5/2001	Fujikura et al.	2006/0276121	A1	12/2006	Rasmussen	
D457,147	S	5/2002	Bradley	2007/0064389	A1	3/2007	Lewis, II et al.	
D459,614	S	7/2002	Grosfillex	2007/0064391	A1	3/2007	Lewis et al.	
6,454,646	B1	9/2002	Helgenberg et al.	2007/0183129	A1	8/2007	Lewis et al.	
6,462,944	B1	10/2002	Lin	2007/0210679	A1	9/2007	Adducci et al.	
6,489,565	B1	12/2002	Krietzman et al.	2007/0210680	A1	9/2007	Appino et al.	
D468,555	S	1/2003	Romaen et al.	2007/0210681	A1	9/2007	Adducci et al.	
6,517,174	B2	2/2003	Sevier	2007/0210683	A1	9/2007	Adducci et al.	
6,527,351	B1	3/2003	Sevier et al.	2007/0210686	A1	9/2007	Adducci et al.	
6,548,753	B1	4/2003	Blackmon et al.	2007/0221393	A1	9/2007	Adducci et al.	
6,554,697	B1	4/2003	Koplin	2008/0017760	A1	1/2008	Larsen et al.	
6,561,602	B1	5/2003	Sevier et al.	2008/0023212	A1	1/2008	Larsen et al.	
6,600,107	B1	7/2003	Wright et al.	2008/0035810	A1	2/2008	Lewis, II	
6,605,782	B1	8/2003	Krietzman et al.	2008/0037228	A1	2/2008	Lewis, II	
D479,241	S	9/2003	Witte	2008/0062654	A1	3/2008	Mattlin et al.	
D483,038	S	12/2003	Jeng	2008/0174217	A1	7/2008	Walker	
D492,315	S *	6/2004	Gant et al. D14/441	2008/0180004	A1	7/2008	Martich et al.	
D503,784	S	4/2005	Tucker et al.	2008/0316702	A1	12/2008	Donowho et al.	
6,945,616	B2	9/2005	Webster et al.	2008/0316703	A1	12/2008	Donowho et al.	
D514,110	S *	1/2006	Liu et al. D14/441	2009/0129013	A1	5/2009	Donowho et al.	
7,000,784	B2	2/2006	Canty et al.	2009/0190307	A1	7/2009	Krietzman	
D524,740	S	7/2006	Witte	2009/0236117	A1	9/2009	Garza et al.	
7,074,123	B2	7/2006	Bettridge et al.	2009/0239461	A1	9/2009	Lewis, II et al.	
D530,332	S *	10/2006	Wang D14/444	2009/0273915	A1	11/2009	Dean, Jr. et al.	
7,119,282	B2	10/2006	Krietzman et al.	2010/0061059	A1	3/2010	Krietzman et al.	
D539,228	S	3/2007	Toikka et al.					
7,200,317	B2	4/2007	Reagan et al.	AU	322230	11/2008		
D543,161	S	5/2007	Stepputat	AU	322231	11/2008		
7,255,640	B2	8/2007	Aldag et al.	AU	322233	11/2008		

US D632,660 S

Page 3

AU	323811	1/2009	IN	216984	7/2009
AU	323812	1/2009	IN	216982	8/2009
AU	323813	1/2009	MX	27995	4/2009
AU	323814	1/2009	MX	27996	4/2009
AU	328418	10/2009	MX	29091	8/2009
AU	328419	10/2009	MX	29092	8/2009
AU	328420	10/2009	SG	D2009/924 H	10/2009
CN	ZL200830139486.2	10/2009	SG	D2009/925/D	10/2009
CN	ZL200830139492.8	10/2009	SG	D2009/926/J	10/2009
CN	ZL200830139487.7	11/2009	WO	2006055506 A2	5/2006
CN	ZL200830139490.9	11/2009	WO	2008022058 A2	2/2008
CN	ZL200830139491.3	11/2009	WO	2008022058 A3	11/2008
CN	ZL200830139488.1	2/2010	WO	2009089008 A2	7/2009
EM	0005543160001	7/2006	WO	2009089306 A1	7/2009
EM	0006639430001	7/2007	WO	2009089307 A2	7/2009
EM	0006639430002	7/2007	WO	2009103090 A3	8/2009
EM	0006639430003	7/2007	WO	2009103090 A2	10/2009
EM	0006639430004	7/2007	WO	2009089307 A3	12/2009
EM	000968607-0006	7/2008	WO	2010028384 A2	3/2010
EM	0009686070001	7/2008			
EM	0009686070002	7/2008			
EM	0009686070003	7/2008			
EM	0009686070004	7/2008			
EM	0009686070005	7/2008			
EM	0009686070006	7/2008			
EM	0009686070008	7/2008			
EM	0009686070009	7/2008			
EM	0009686070010	7/2008			
EM	0009686070011	7/2008			
EM	001173330-0001	10/2009			
EM	001173330-0002	10/2009			
EM	001173330-0003	10/2009			
IN	216979	6/2009			
IN	27994	7/2009			
IN	216981	7/2009			
IN	216983	7/2009			

OTHER PUBLICATIONS

Information Disclosure Statement (IDS) Letter Regarding Common Patent Application(s) dated Apr. 21, 2010.

“International Search Report” and “Written Opinion” of the International Searching Authority (Korean Intellectual Property Office) in Chatsworth Products, Inc. et al., International Patent Application Serial No. PCT/US2009/030369, filed on Jan. 7, 2009 mailed on Oct. 12, 2009 and completed on Oct. 9, 2009, 9 pages.

“International Search Report” and “Written Opinion” of the International Searching Authority (ISA/US Korean Intellectual Property Office) in Chatsworth Products, Inc. et al., International Patent Application Serial No. PCT/US2009/056256, Applicant’s file reference 3001.214, International Filing Date Sep. 8, 2009, Mailed on Apr. 7, 2010, Completed on Apr. 6, 2010, 7 pages.

* cited by examiner

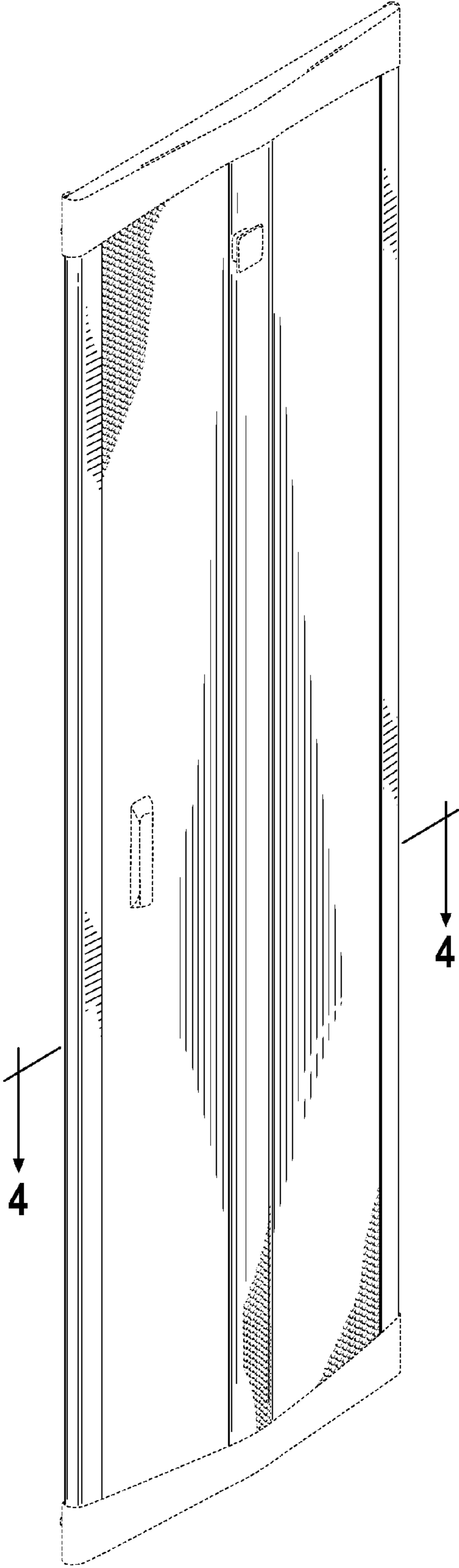


FIG. 1

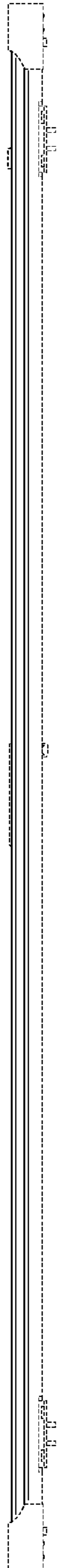


FIG. 2

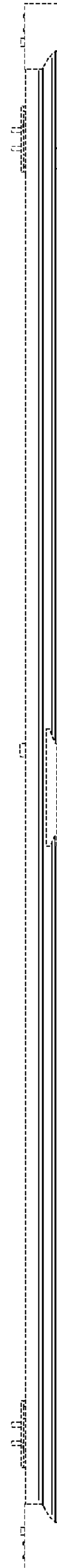


FIG. 3

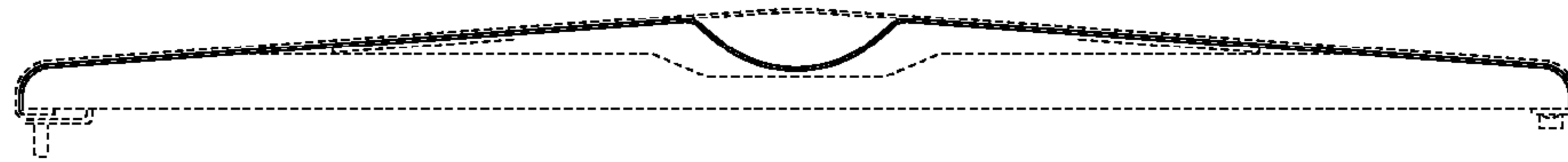
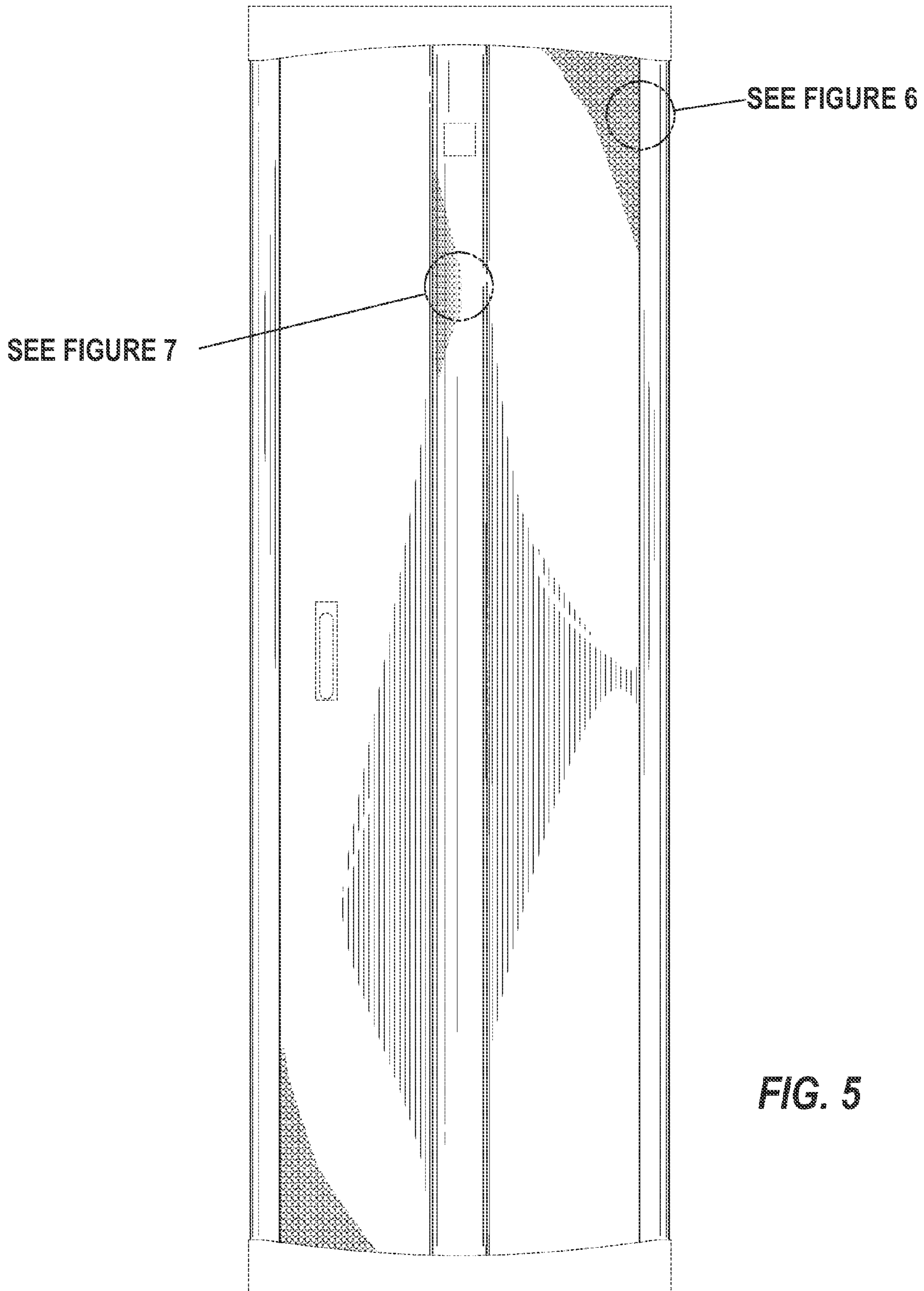


FIG. 4



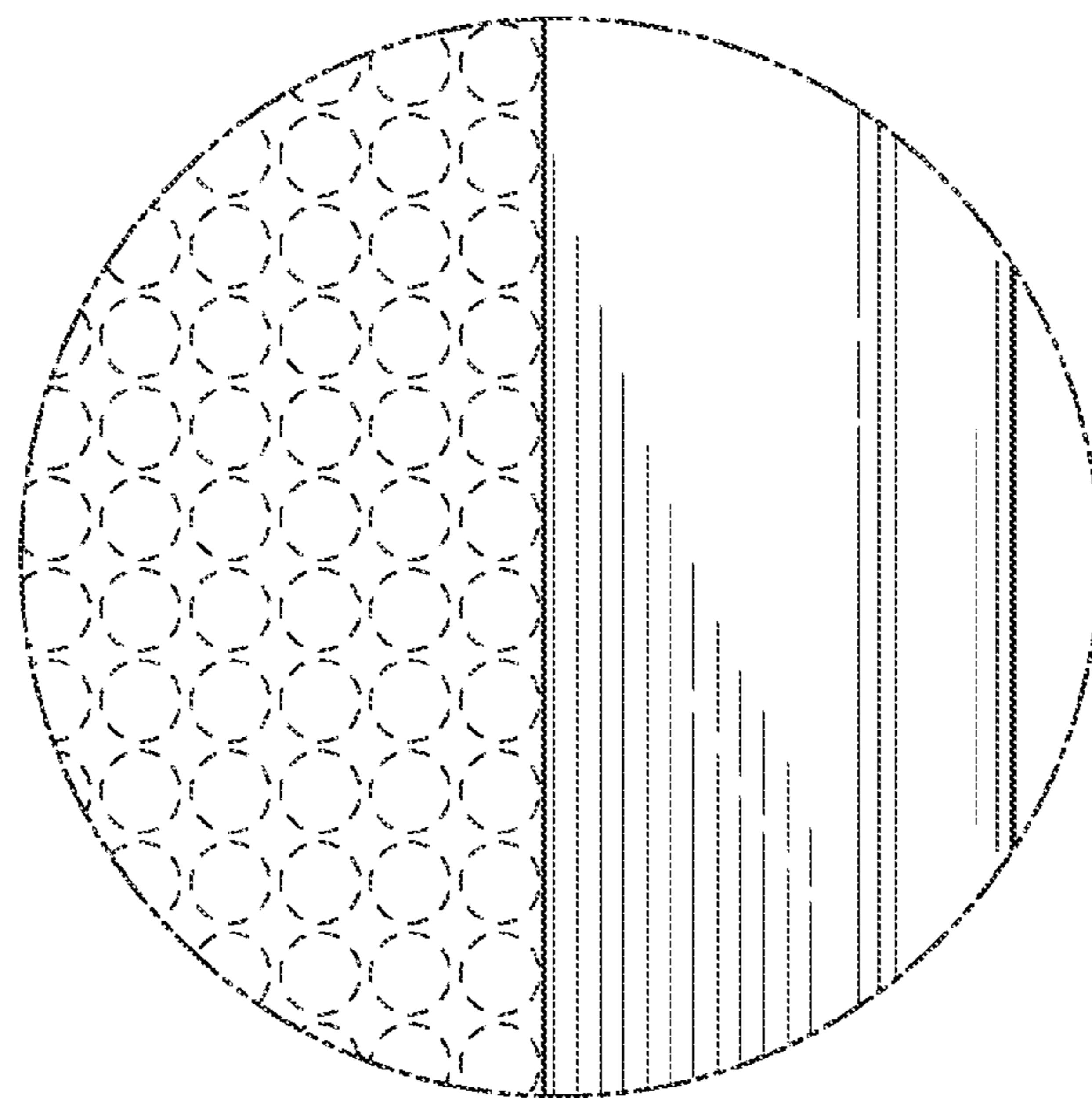


FIG. 6

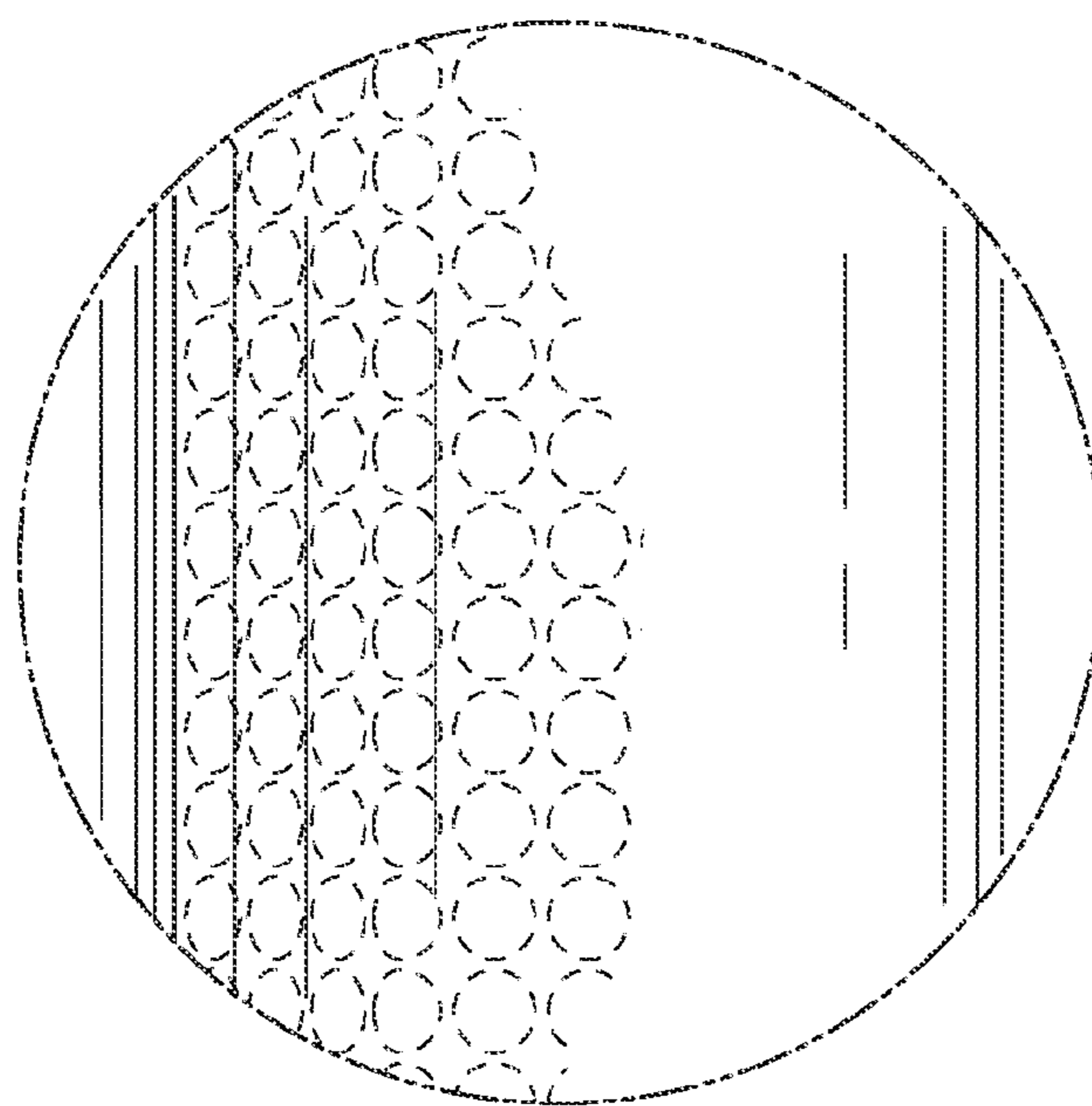


FIG. 7

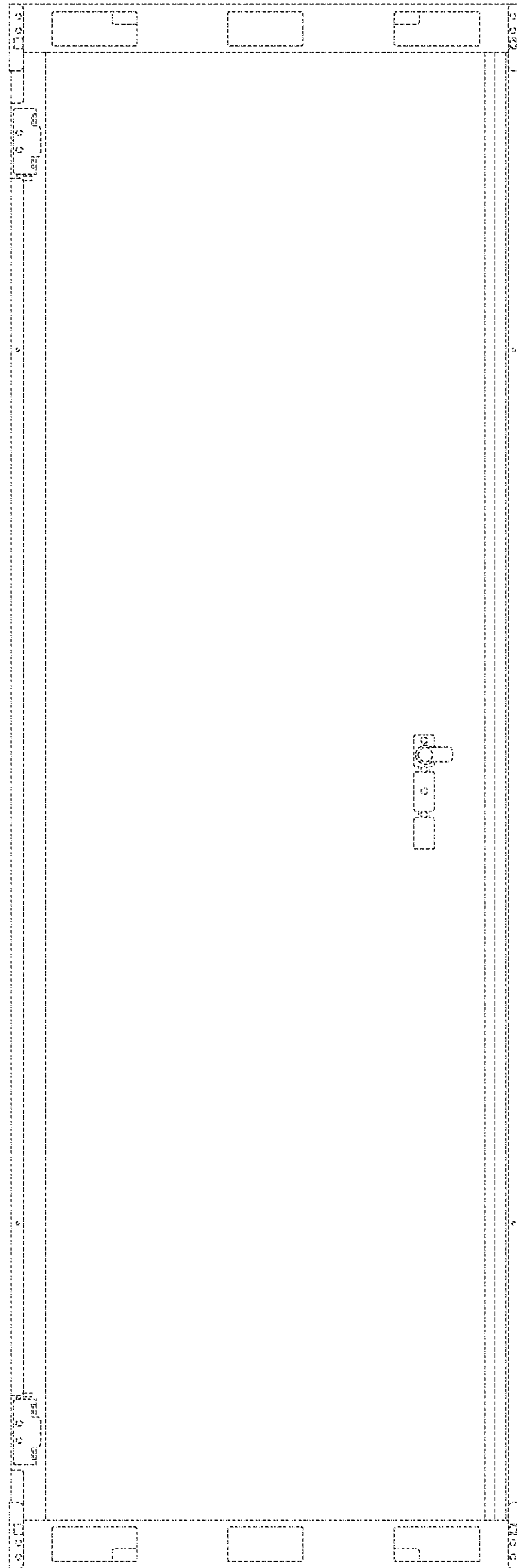


FIG. 8

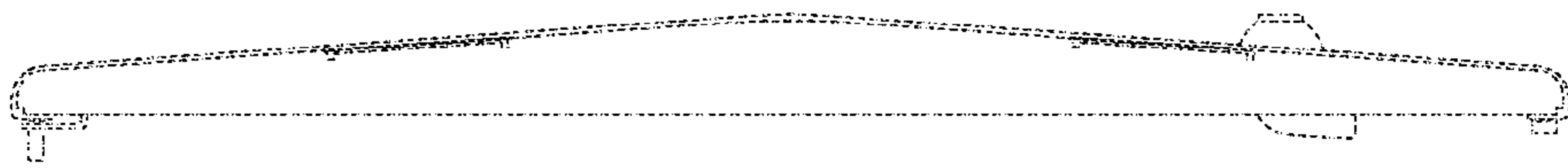


FIG. 9

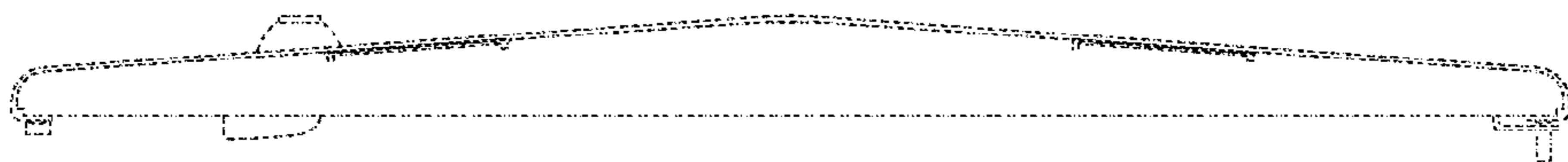


FIG. 10