



US00D632659S

(12) **United States Design Patent**
Hsieh

(10) **Patent No.:** **US D632,659 S**

(45) **Date of Patent:** **** Feb. 15, 2011**

(54) **LIGHT EMITTING DIODE LAMP**

2008/0185605 A1* 8/2008 Wada et al. 257/98

(75) Inventor: **Chung-Chuan Hsieh**, Taipei Hsien
(TW)

FOREIGN PATENT DOCUMENTS

(73) Assignee: **Everlight Electronics Co., Ltd.**, Taipei
(TW)

KR	30-0294488	3/2002
KR	30-0350256	6/2004
KR	30-0439162	1/2007
KR	30-0458416	8/2007
TW	577707	2/2004
TW	584490	4/2004
TW	D110842	1/2006
TW	D125376	6/2007

(**) Term: **14 Years**

* cited by examiner

(21) Appl. No.: **29/361,334**

Primary Examiner—Selina Sikder

(22) Filed: **May 10, 2010**

(74) *Attorney, Agent, or Firm*—Rabin & Berdo, PC

(30) **Foreign Application Priority Data**

Nov. 11, 2009 (TW) 98305365

(57) **CLAIM**

(51) **LOC (9) Cl.** **13-03**

The ornamental design for a light emitting diode lamp, as shown and described.

(52) **U.S. Cl.** **D13/180**

(58) **Field of Classification Search** D13/180;
D26/2; 257/79, 80, 81, 88, 89, 95, 98, 99,
257/100, E33.058; 313/483, 498, 500; 362/555,
362/800

DESCRIPTION

See application file for complete search history.

FIG. 1 is a perspective view showing my new design;

FIG. 2 is a front elevational view thereof;

FIG. 3 is a left side elevational view thereof;

FIG. 4 is a right side elevational view thereof;

FIG. 5 is a top plan view thereof;

FIG. 6 is a bottom plan view thereof; and,

FIG. 7 is a cross-sectional view thereof, taken on line A—A of FIG. 5.

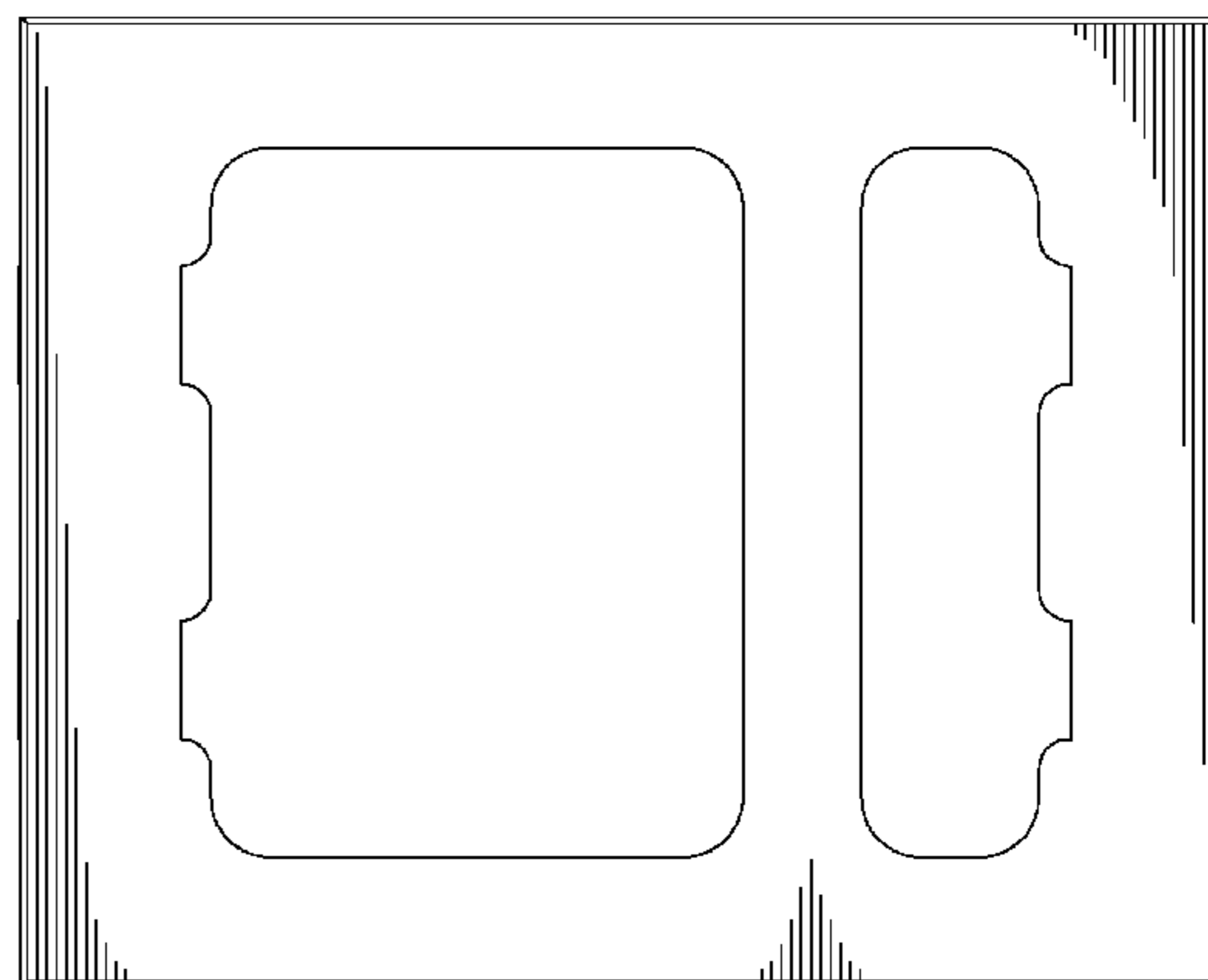
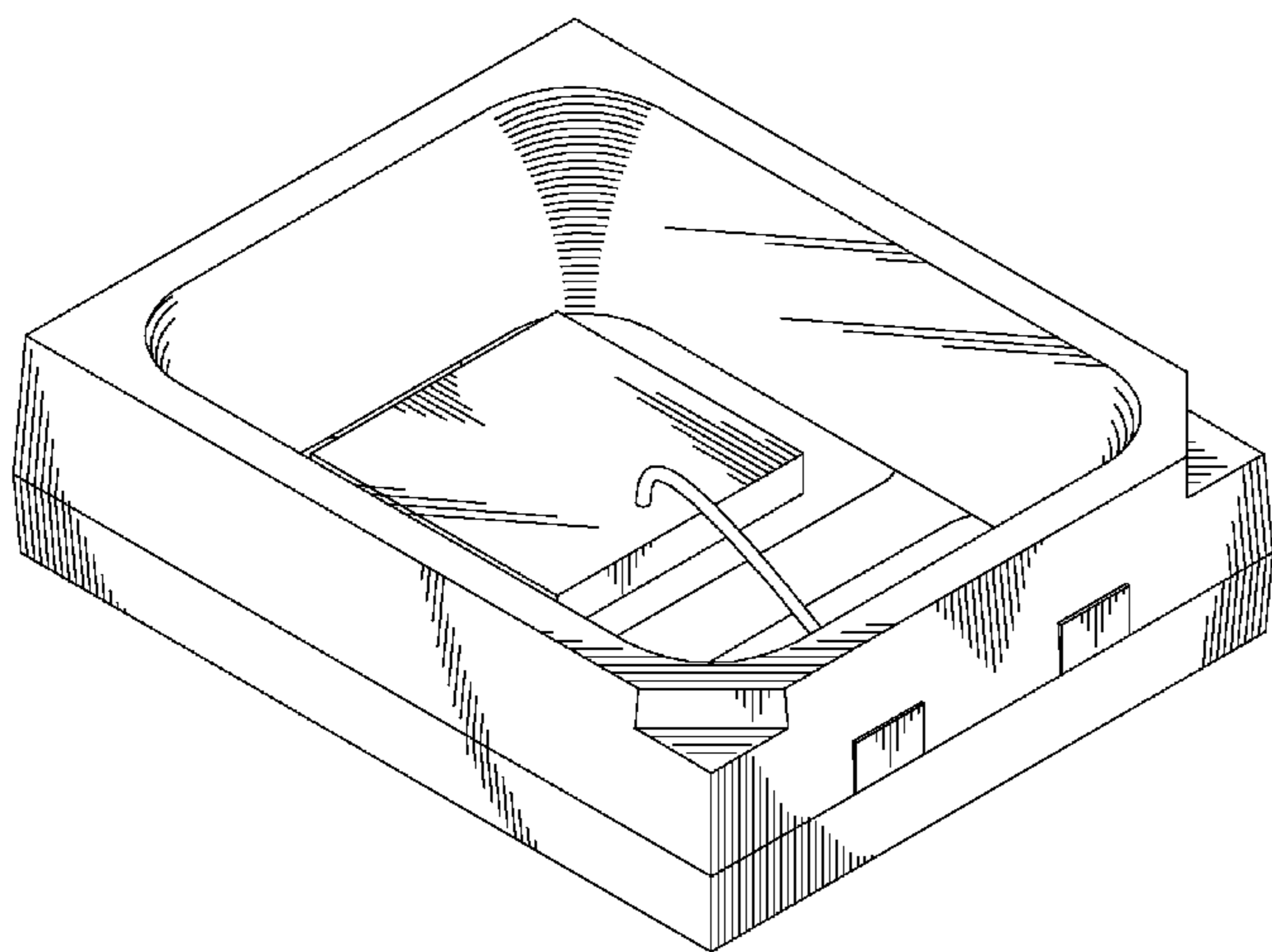
The rear elevational view thereof is a mirror image of the front elevational view in FIG. 2 and therefore is omitted.

(56) **References Cited**

U.S. PATENT DOCUMENTS

D494,550 S	8/2004	Hoshiba	
7,524,087 B1 *	4/2009	Aizar et al.	362/267
D595,674 S *	7/2009	Wang et al.	D13/180
D595,675 S *	7/2009	Wang et al.	D13/180
D597,971 S *	8/2009	Kobayakawa et al.	D13/180
D622,680 S *	8/2010	Lin et al.	D13/180
D622,682 S *	8/2010	Park et al.	D13/180

1 Claim, 4 Drawing Sheets



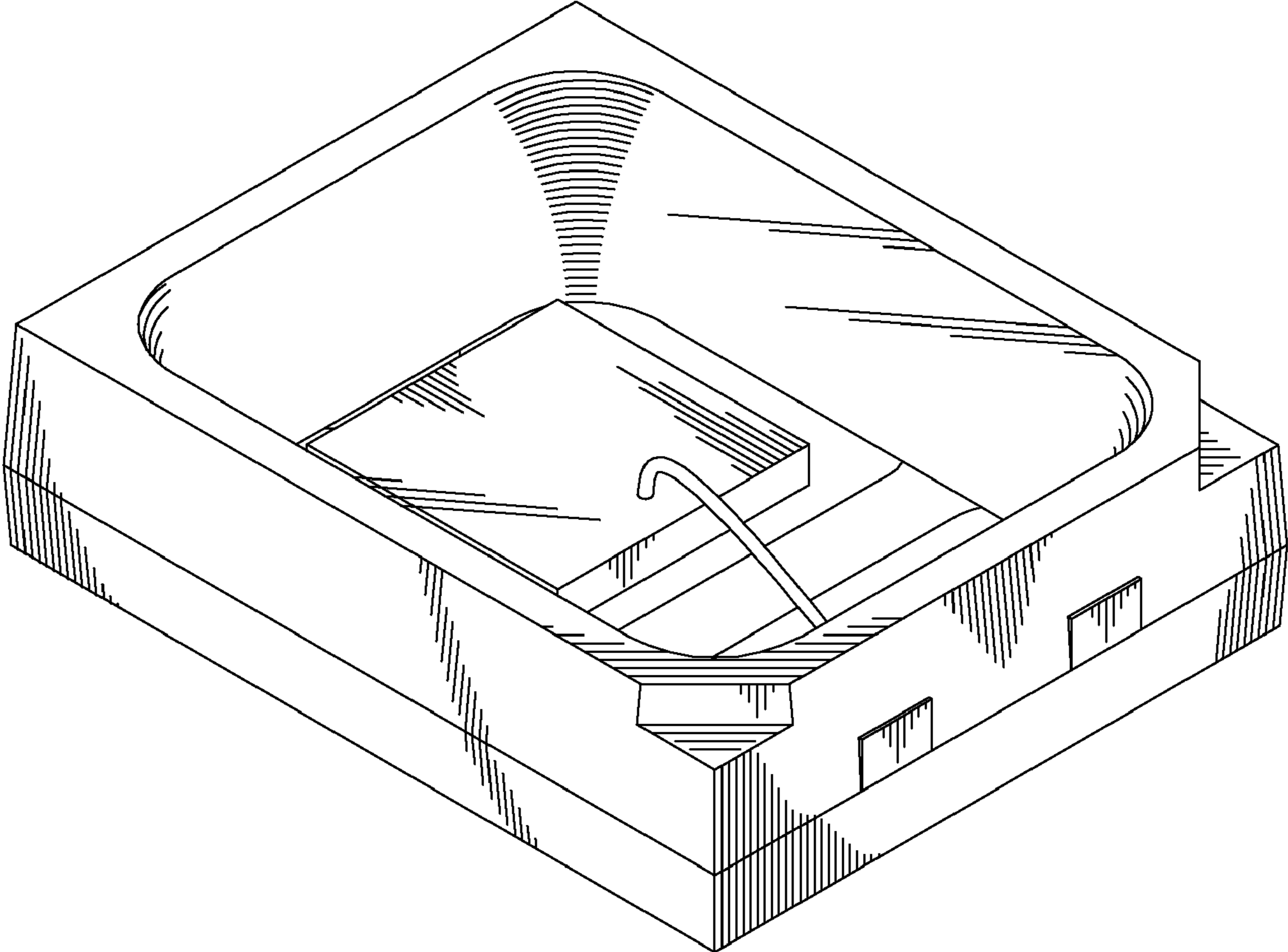


FIG. 1

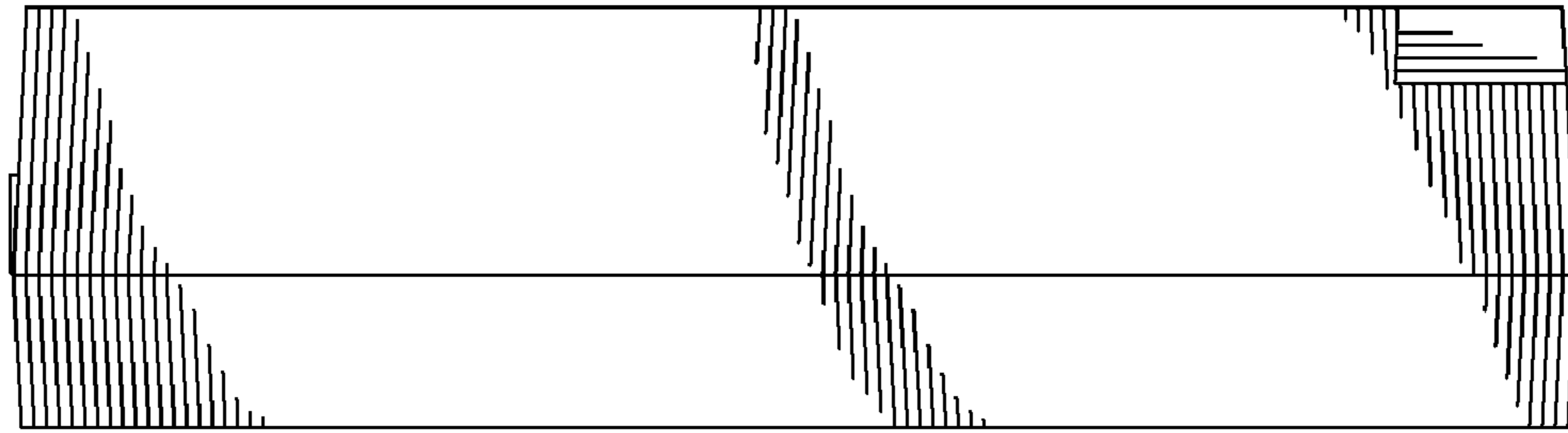


FIG. 2

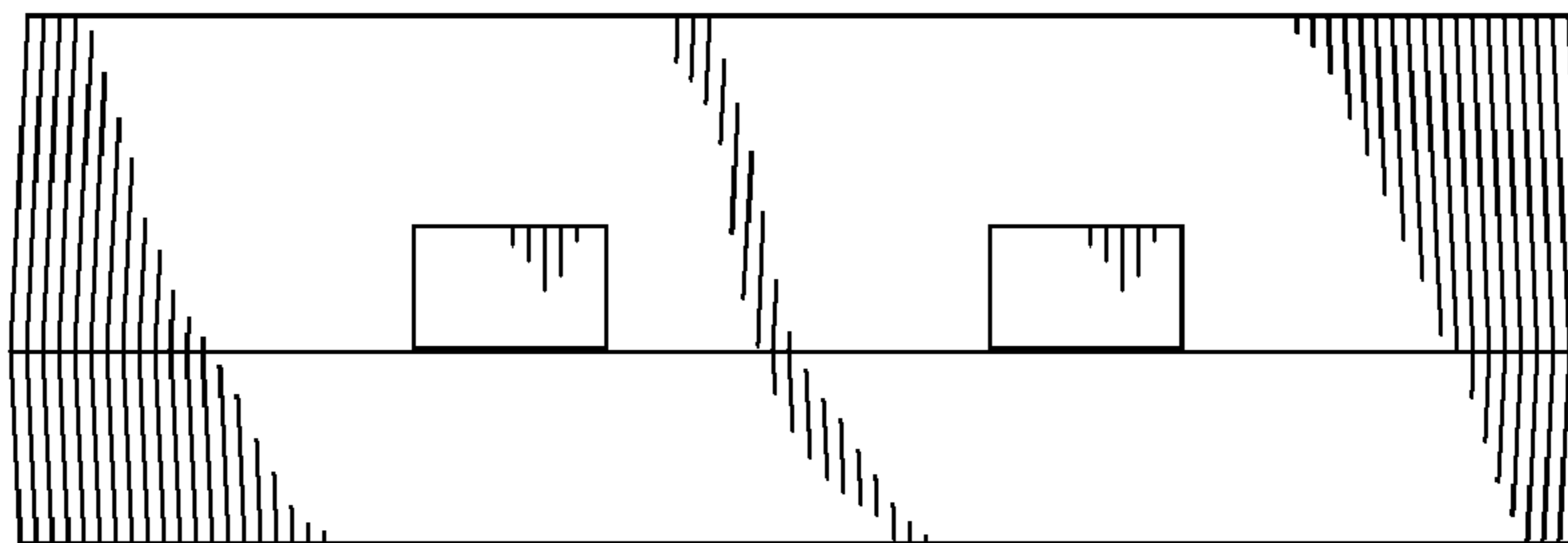


FIG. 3

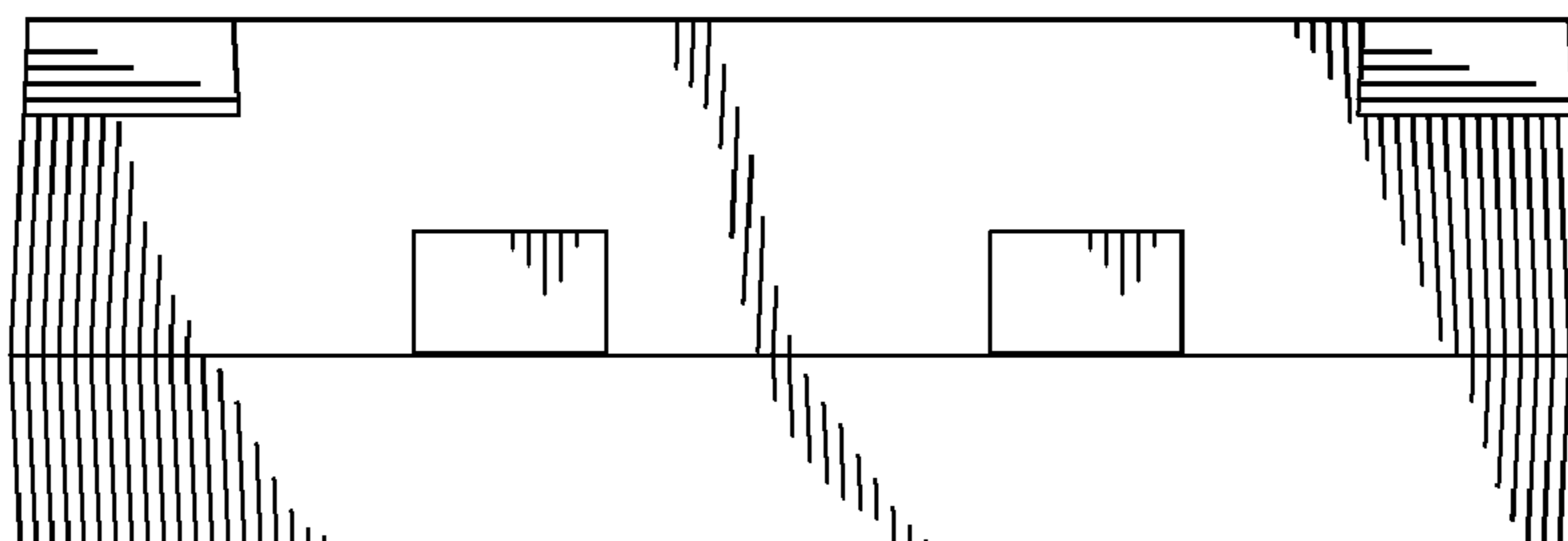


FIG. 4

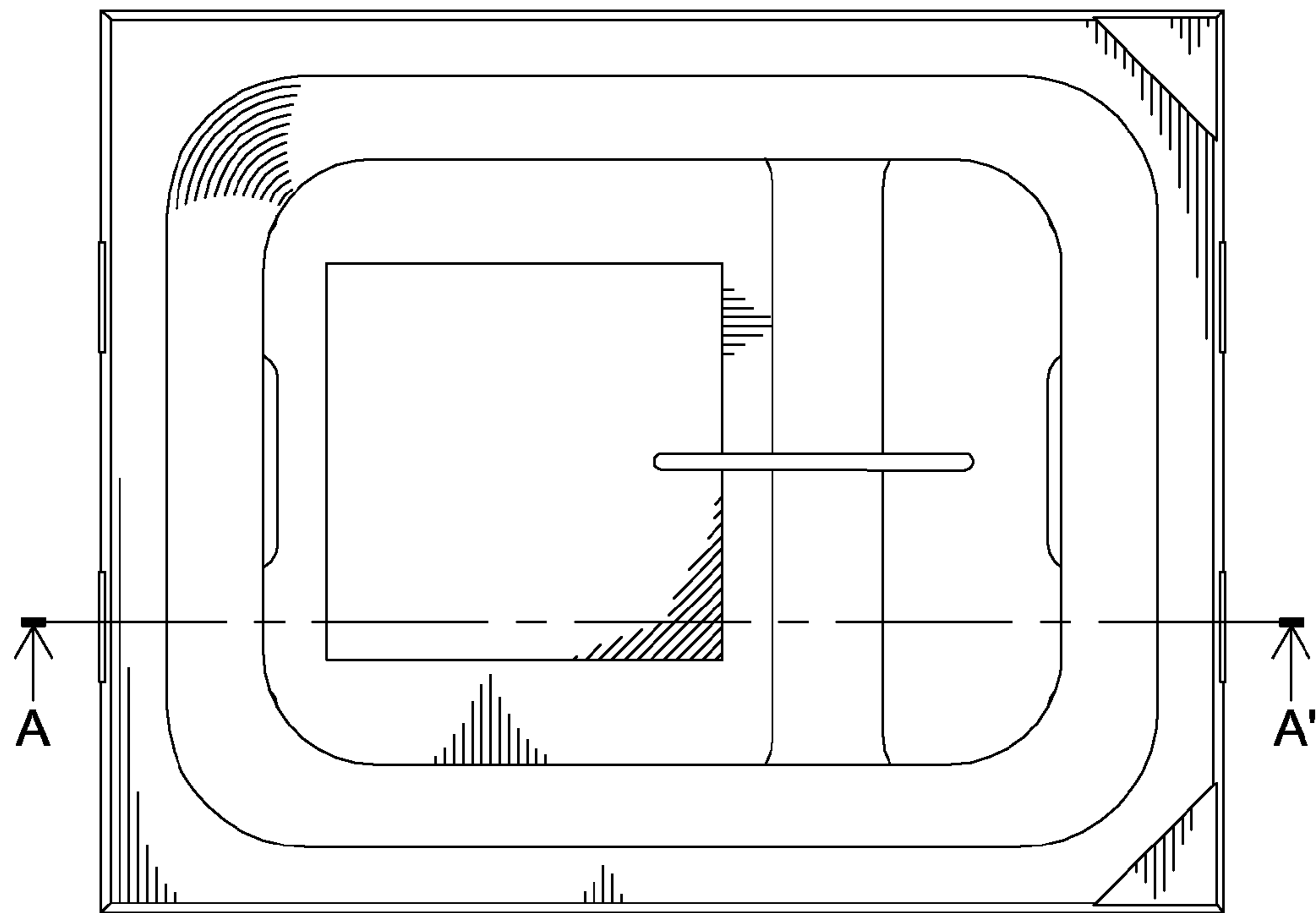


FIG. 5

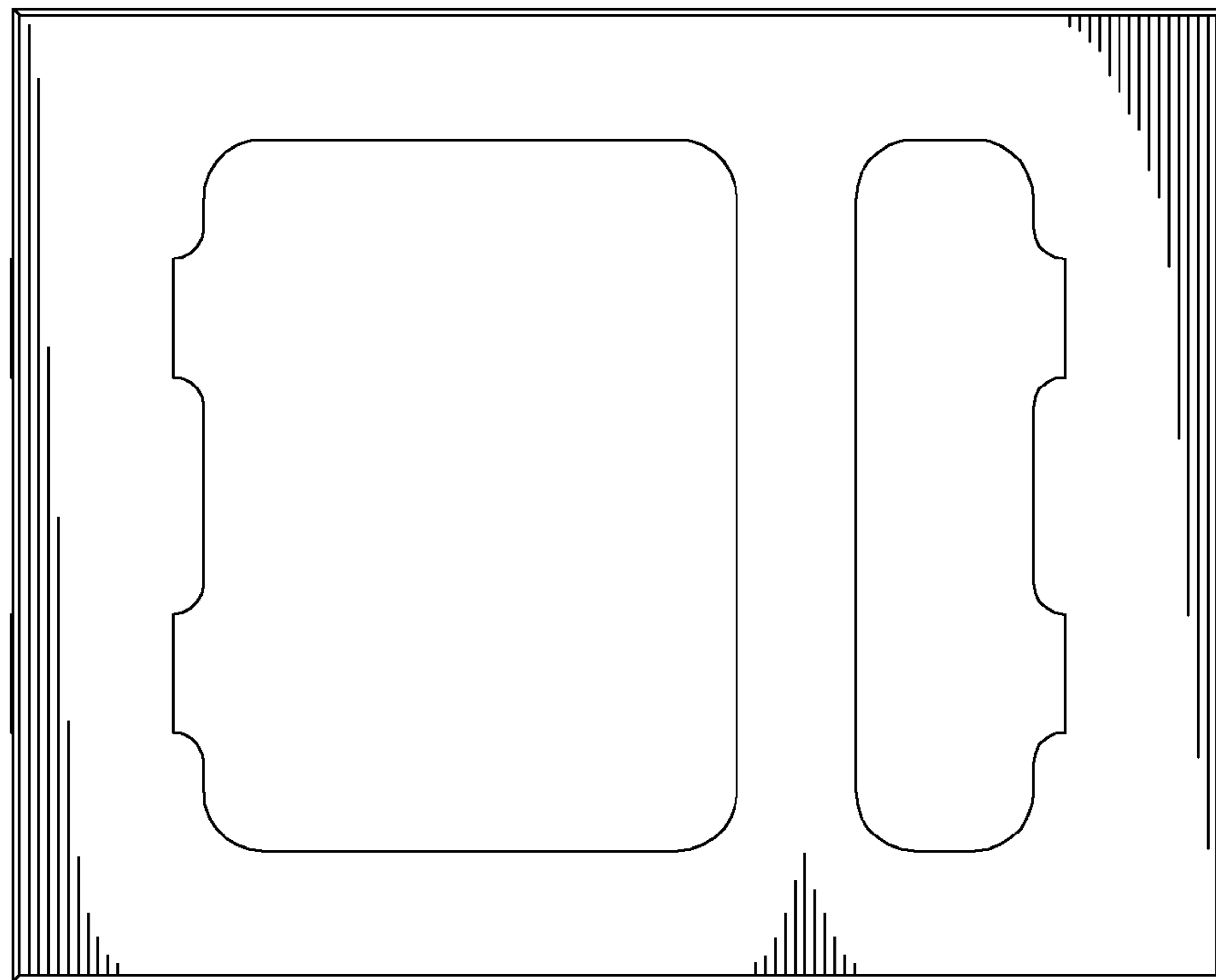


FIG. 6

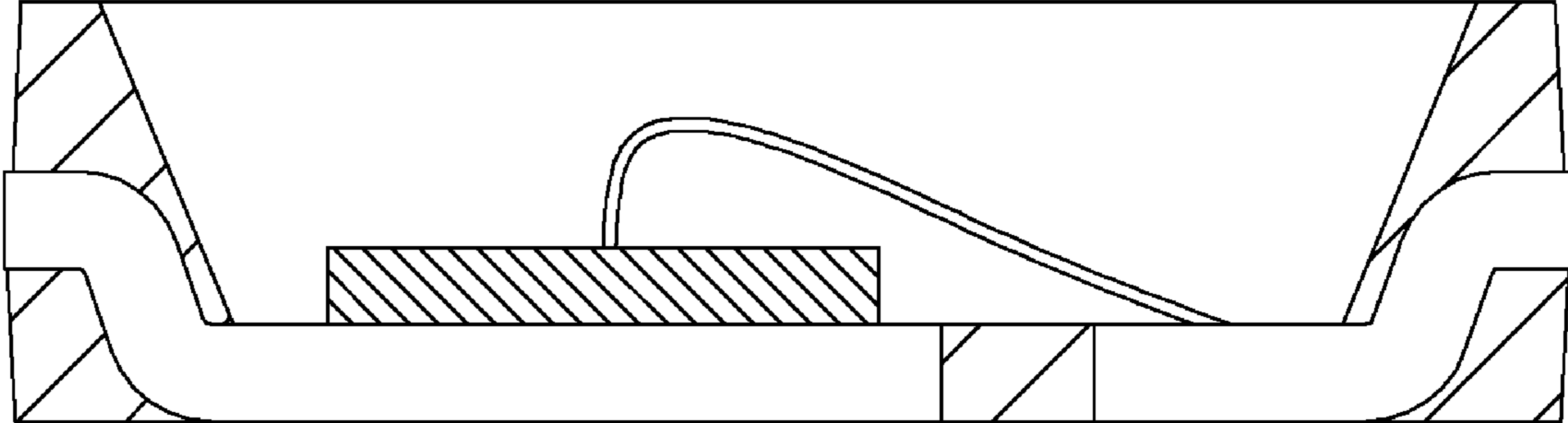


FIG. 7