

US00D632656S

(12) **United States Design Patent**  
**Karlsson**

(10) **Patent No.:** **US D632,656 S**

(45) **Date of Patent:** **\*\* Feb. 15, 2011**

(54) **FRAME FOR CABLE LEAD-THROUGH**

(75) Inventor: **Andreas Karlsson**, Karlskrona (SE)

(73) Assignee: **Roxtec AB**, Karlskrona (SE)

(\*\*) Term: **14 Years**

(21) Appl. No.: **29/294,625**

(22) Filed: **Jan. 18, 2008**

(30) **Foreign Application Priority Data**

Jul. 19, 2007 (CN) ..... 2007 2 0156320

(51) **LOC (9) Cl.** ..... **13-03**

(52) **U.S. Cl.** ..... **D13/155**

(58) **Field of Classification Search** ..... D13/133,  
D13/147, 153, 154, 155, 184, 199; D8/354,  
D8/355, 356, 357, 358, 359, 360.1; 174/48,  
174/68.3, 72 A, 95, 99 R, 101; 248/56  
See application file for complete search history.

(56) **References Cited**

**U.S. PATENT DOCUMENTS**

5,027,571	A *	7/1991	Wolff	.....	52/220.8
D427,889	S *	7/2000	Gretz	.....	D8/354
D437,772	S *	2/2001	Erwin	.....	D8/354
D478,497	S *	8/2003	Curtas et al.	.....	D8/354
D597,035	S *	7/2009	Libby	.....	D13/156

\* cited by examiner

*Primary Examiner*—Daniel D Bui

(74) *Attorney, Agent, or Firm*—Harness, Dickey & Pierce, P.L.C.

(57) **CLAIM**

I claim the ornamental design for a frame for cable lead-through, as shown and described.

**DESCRIPTION**

FIG. 1 is perspective view of a first embodiment of a frame for cable lead-through, showing my new design;

FIG. 2 is an end elevation view thereof;

FIG. 3 is a side elevation view thereof;

FIG. 4 is a top plan view thereof;

FIG. 5 is another side elevation view thereof;

FIG. 6 is another end elevation view thereof;

FIG. 7 is another perspective view thereof;

FIG. 8 is perspective view of a second embodiment of a frame for cable lead-through, showing my new design;

FIG. 9 is an end elevation view thereof;

FIG. 10 is a side elevation view thereof;

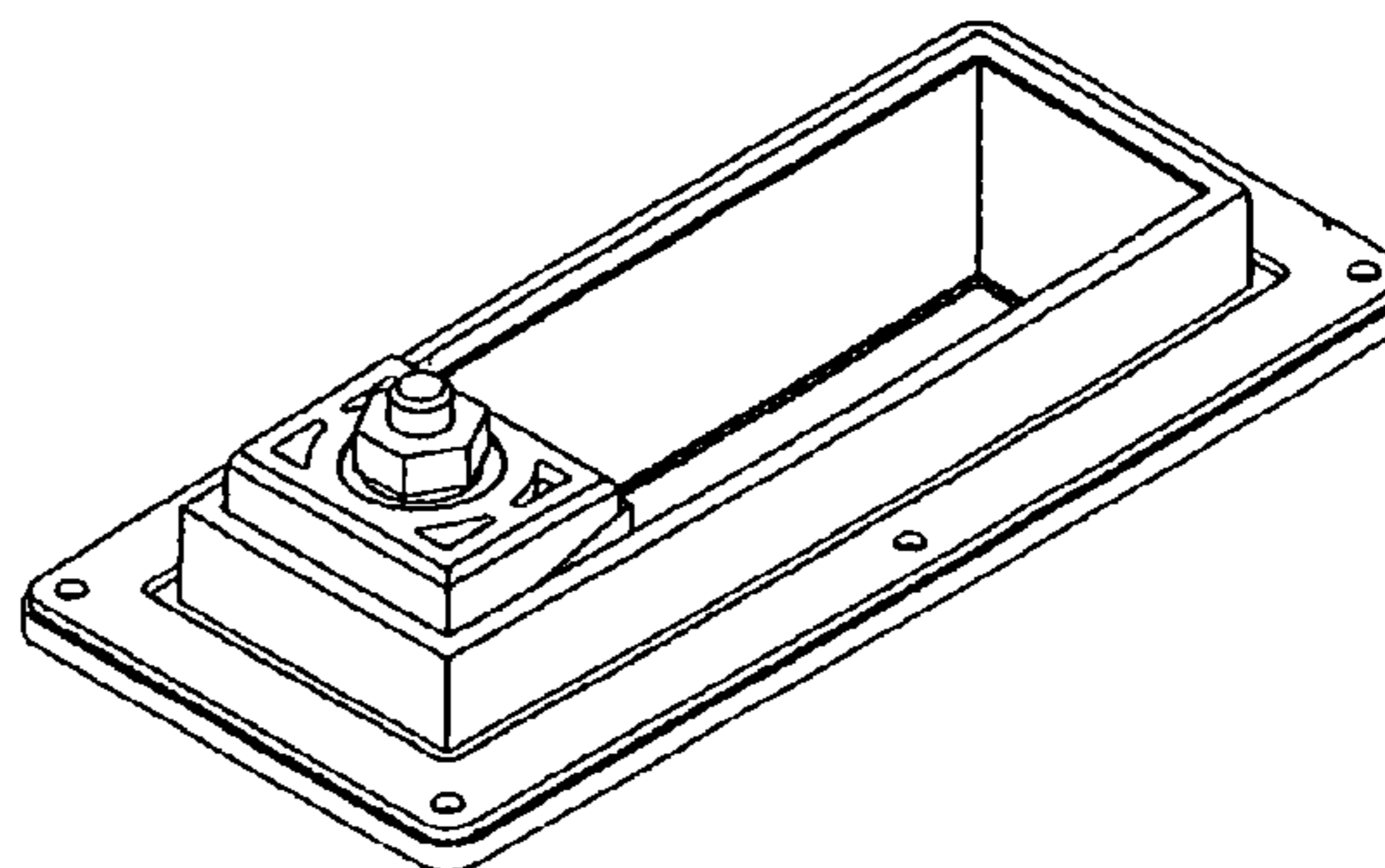
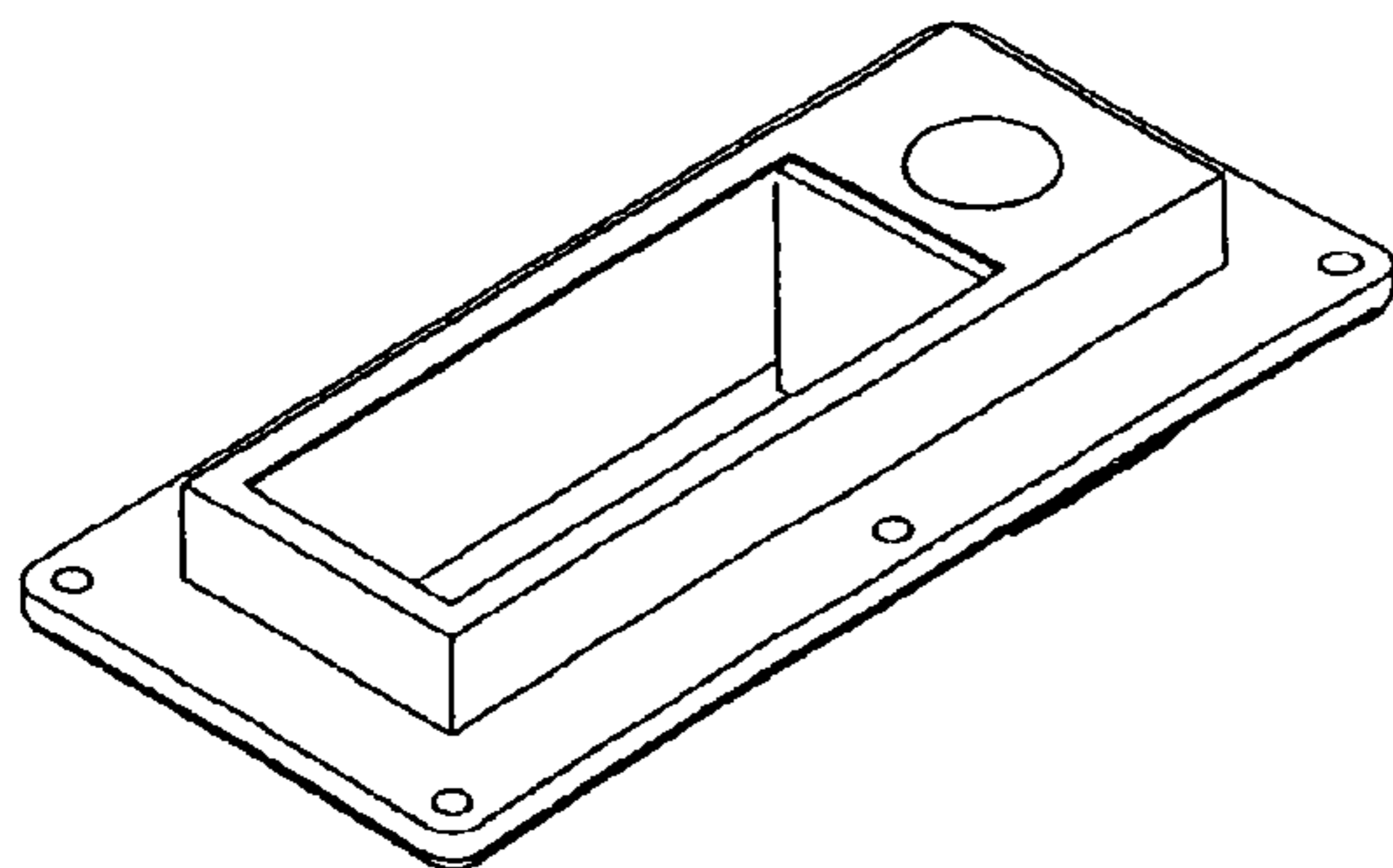
FIG. 11 is a top plan view thereof;

FIG. 12 is another side elevation view thereof;

FIG. 13 is another end elevation view thereof; and,

FIG. 14 is another perspective view thereof.

**1 Claim, 2 Drawing Sheets**



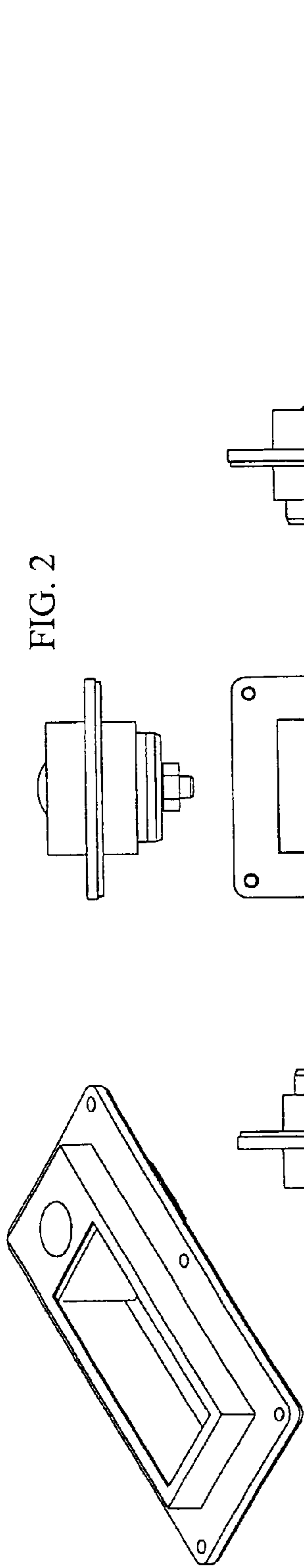


FIG. 1

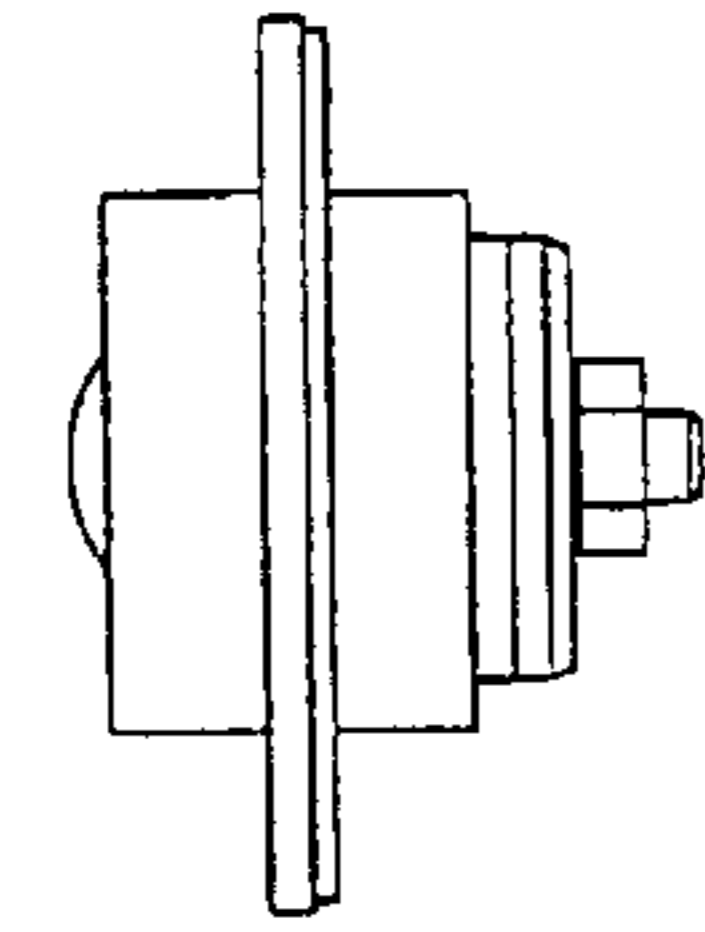


FIG. 2

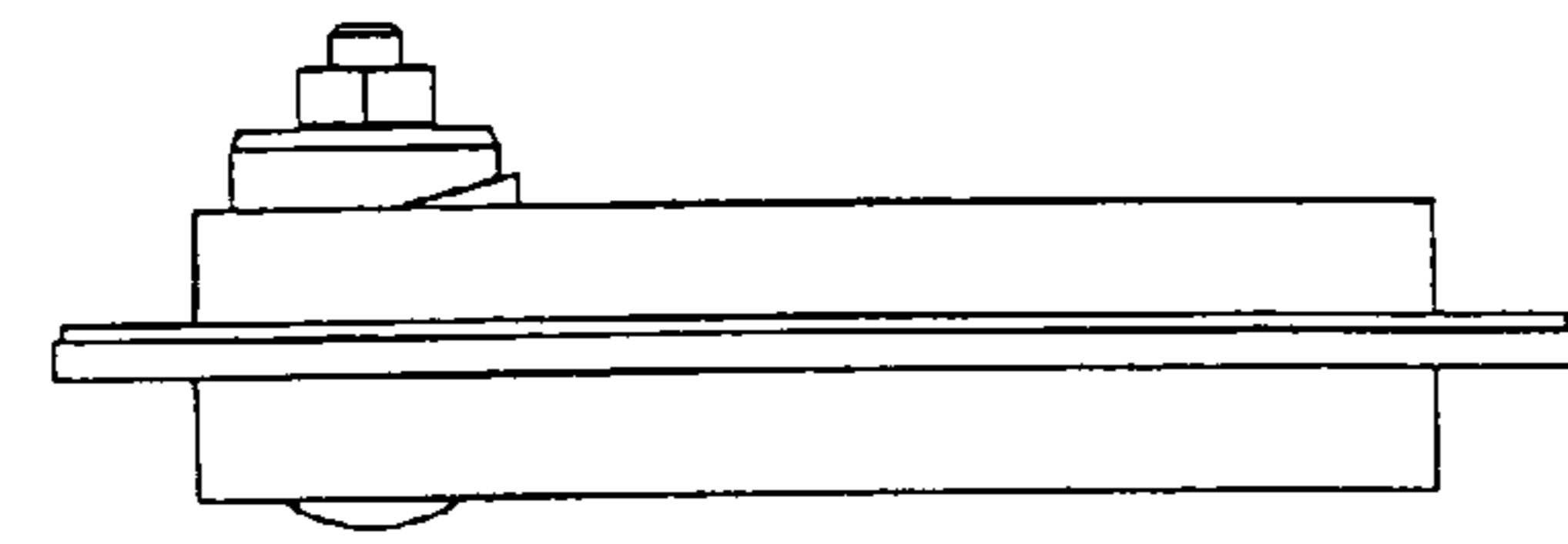


FIG. 3

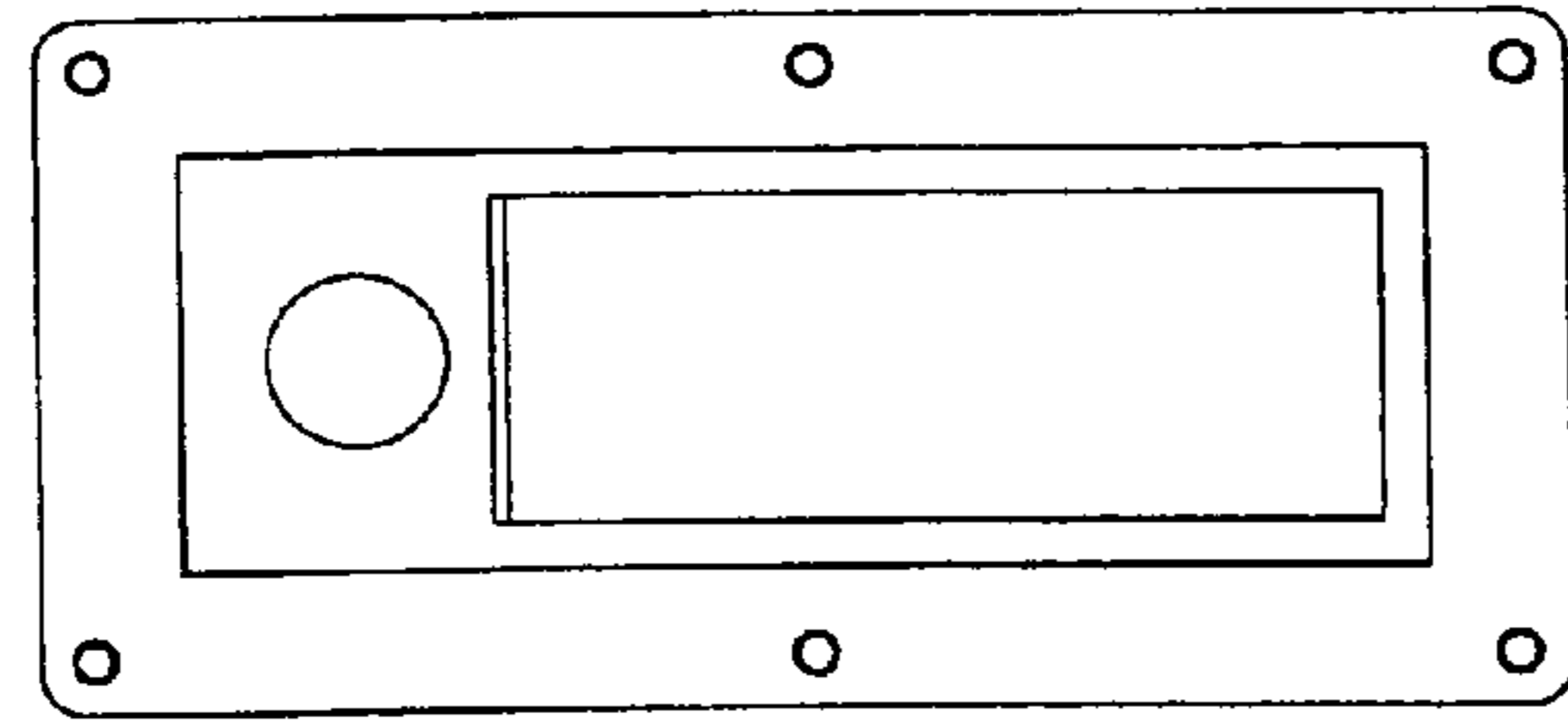


FIG. 4

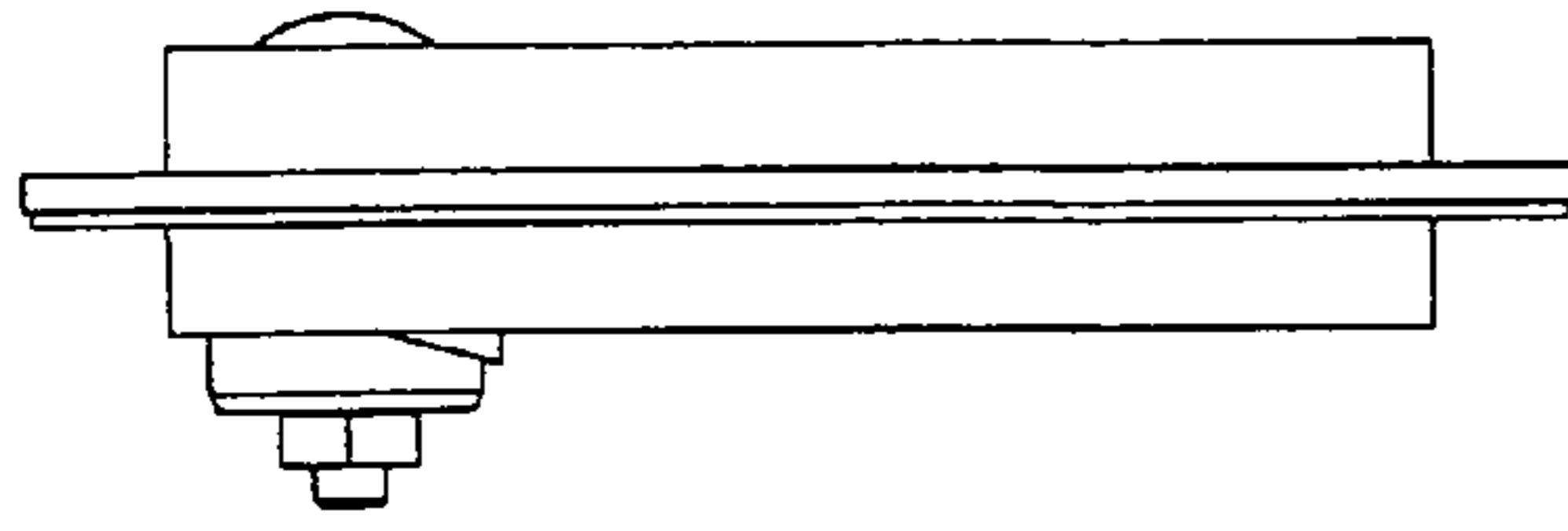


FIG. 5

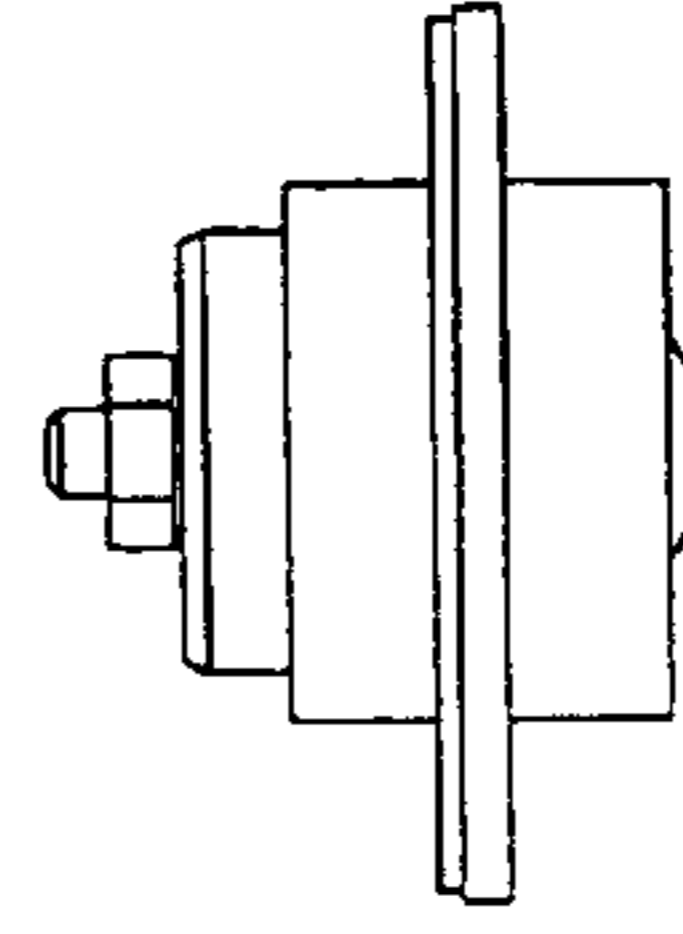


FIG. 6

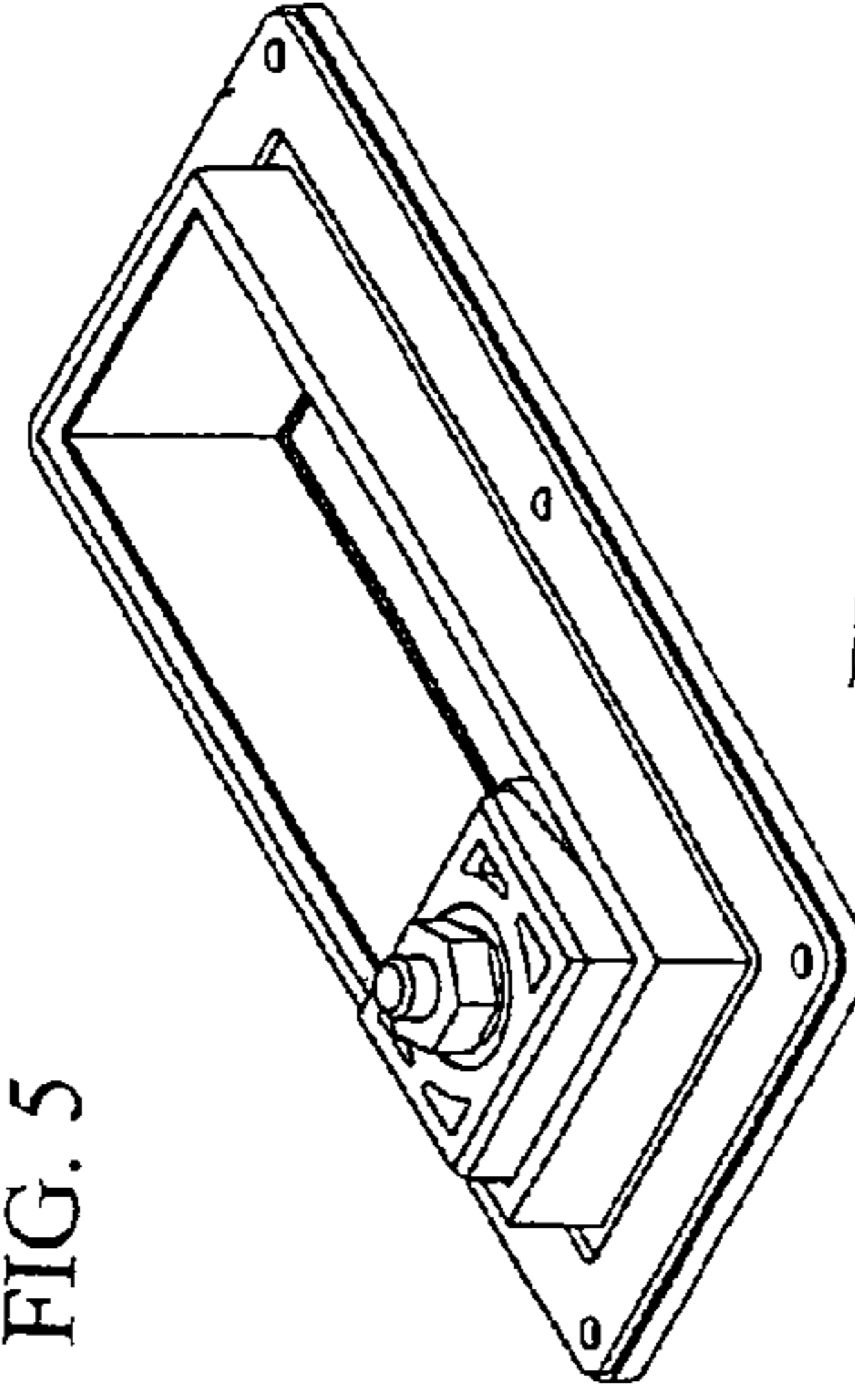


FIG. 7

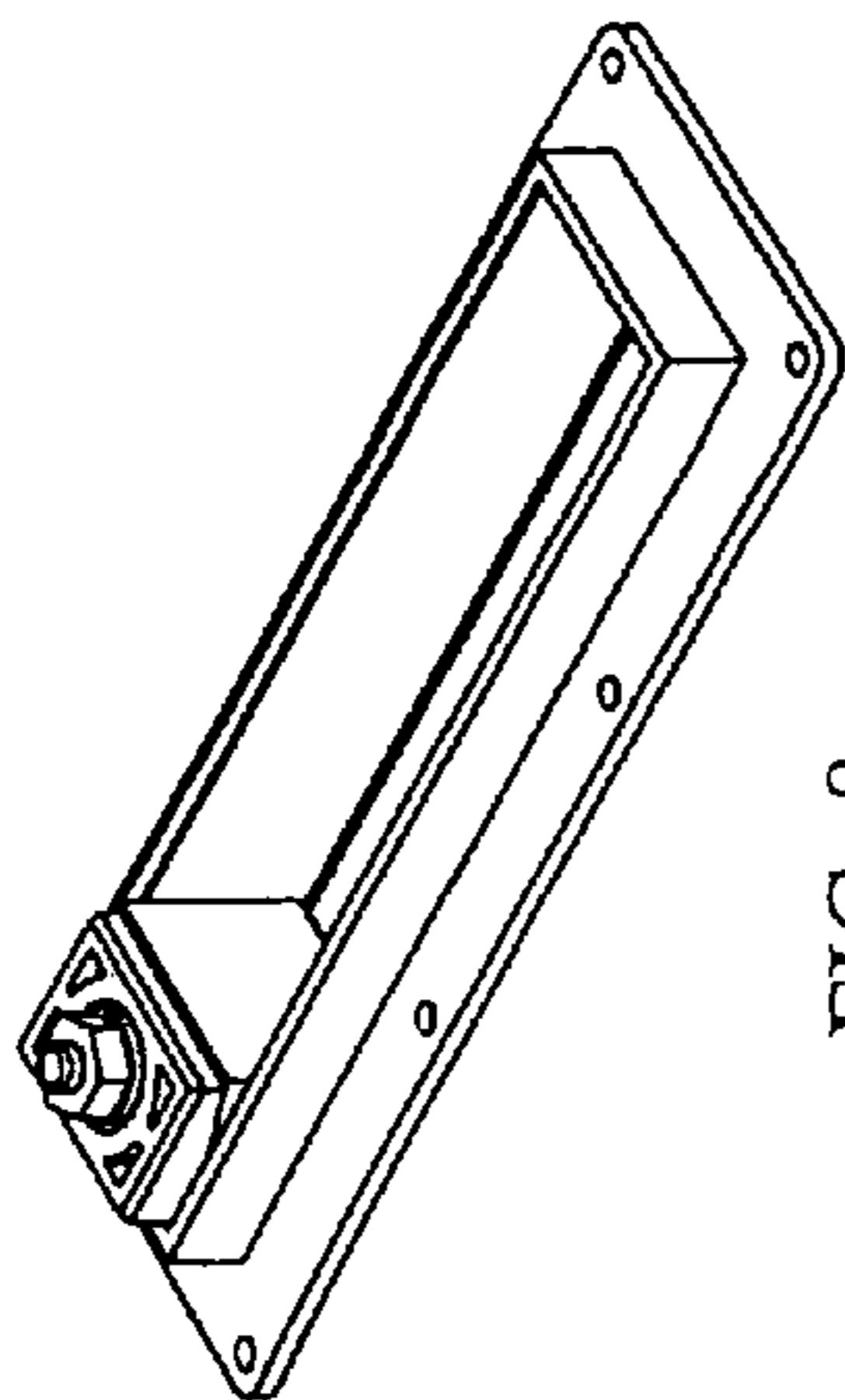


FIG. 8

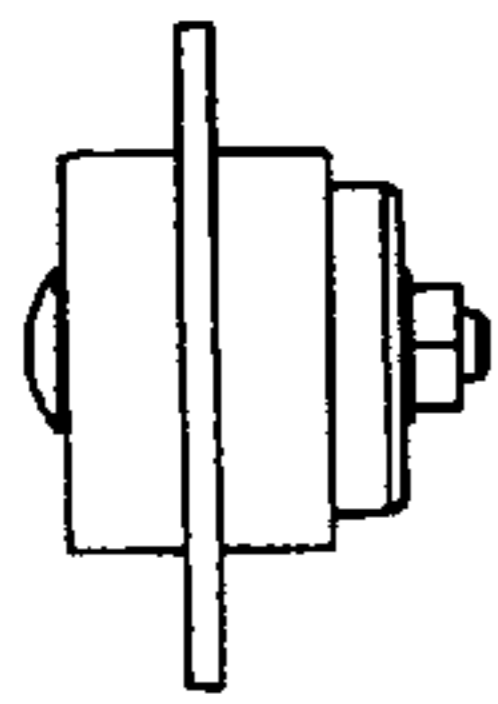


FIG. 12

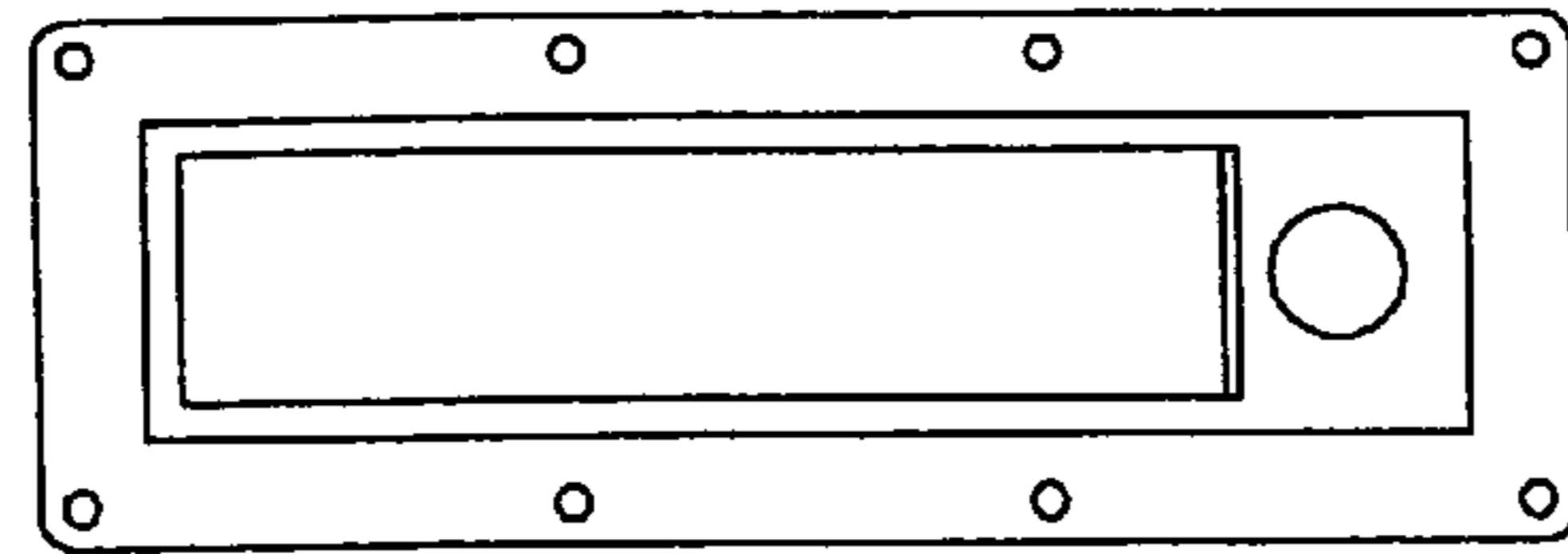


FIG. 11

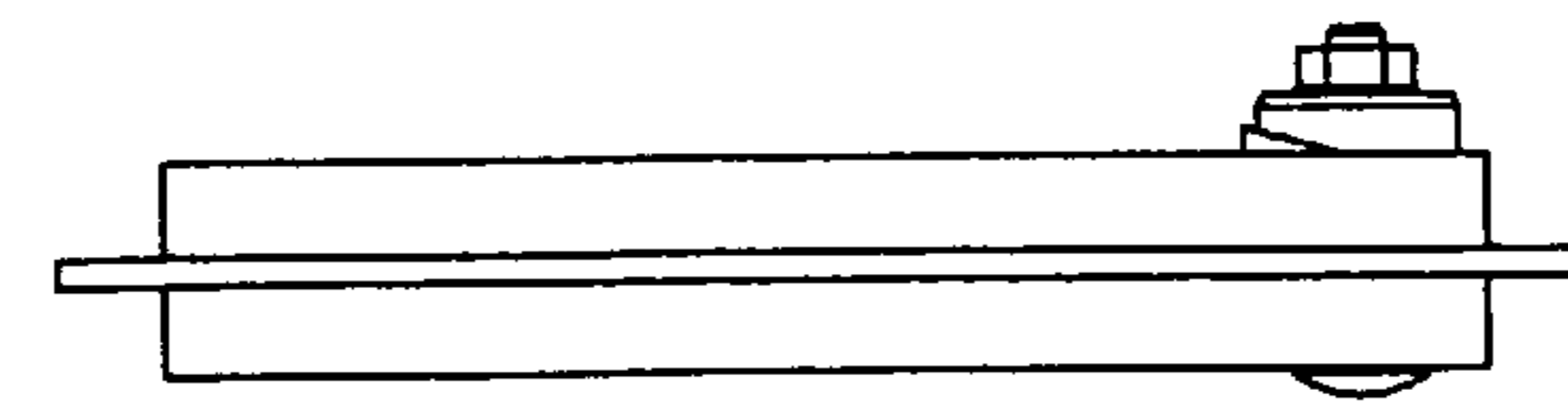


FIG. 9

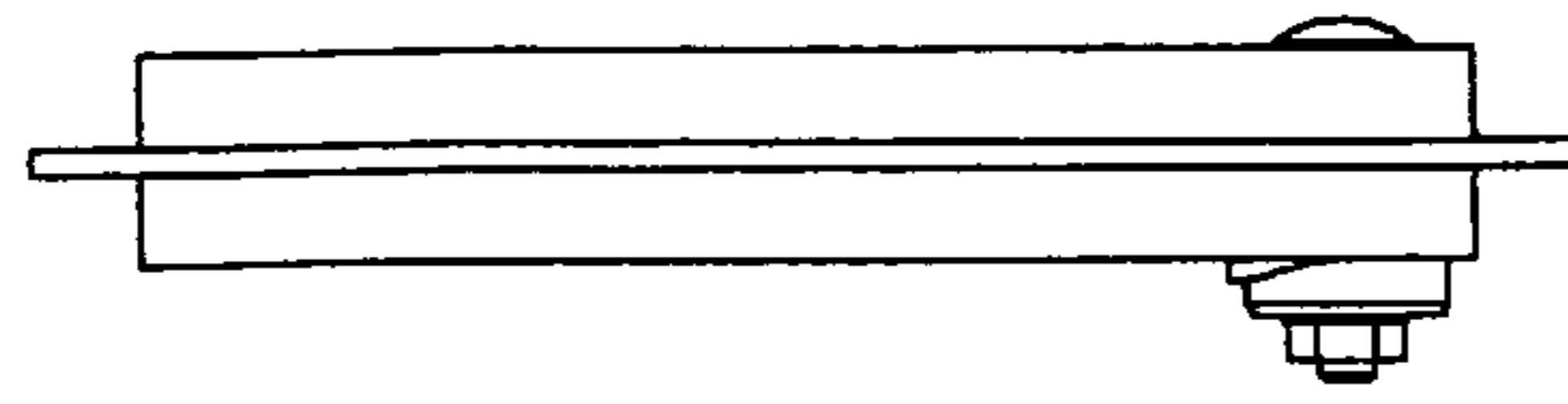


FIG. 13

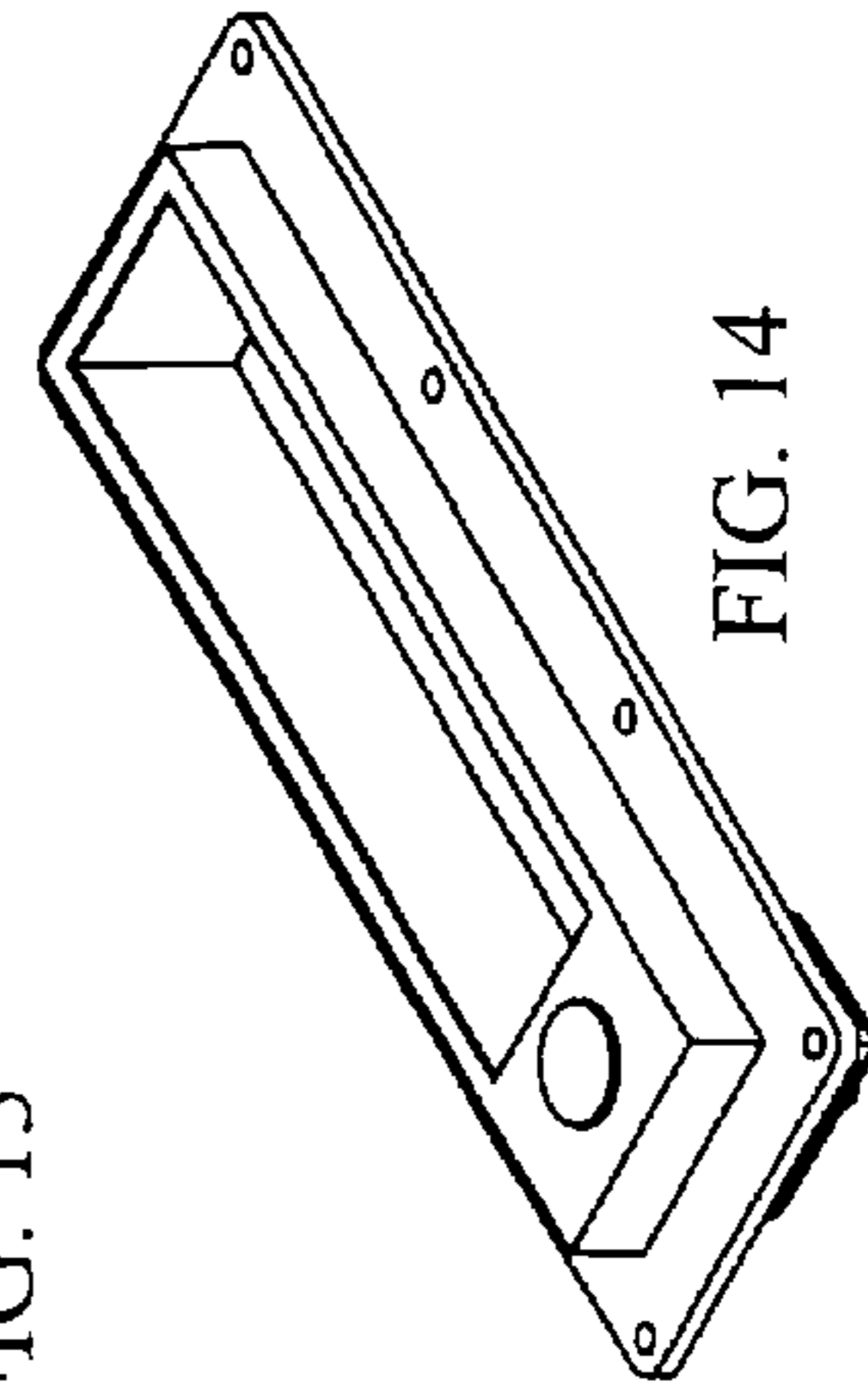


FIG. 14

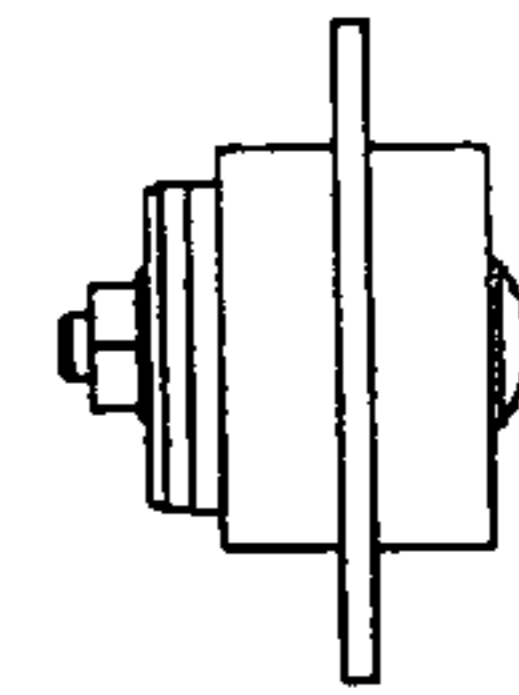


FIG. 10