



US00D632654S

(12) **United States Design Patent**  
**Davidson et al.**

(10) **Patent No.:** **US D632,654 S**  
(45) **Date of Patent:** **\*\* Feb. 15, 2011**

(54) **OUTPUT DEVICE BACK BOX**

(75) Inventors: **Curtis Davidson**, Oswego, IL (US);  
**Bojana Vojinovic**, Elmhurst, IL (US);  
**Luis Arturo Quevedo Sierra**, Juarez  
(MX)

(73) Assignee: **Honeywell International Inc.**,  
Morristown, NJ (US)

(\*\*) Term: **14 Years**

(21) Appl. No.: **29/304,003**

(22) Filed: **Feb. 22, 2008**

(51) **LOC (9) Cl.** ..... **13-03**

(52) **U.S. Cl.** ..... **D13/152**

(58) **Field of Classification Search** ..... D13/139.4,  
D13/152, 156, 184, 199; 174/50, 53-55,  
174/58, 60, 66, 67; 220/3.2, 3.3, 3.6-3.9,  
220/241, 242, 244, 315, 4.02; 248/906; 439/135,  
439/136, 138, 142, 166, 367, 373, 535, 536,  
439/537, 541, 892, 893

See application file for complete search history.

(56) **References Cited**

**U.S. PATENT DOCUMENTS**

D274,721 S \* 7/1984 Smith ..... D14/240  
D346,386 S \* 4/1994 Brownlie et al. .... D14/240  
D360,877 S \* 8/1995 Ropponen et al. .... D13/184  
D362,661 S \* 9/1995 Buschor et al. .... D13/184  
5,914,665 A \* 6/1999 Thorp et al. .... 340/691.1  
D412,313 S \* 7/1999 Hughes ..... D13/152  
D499,330 S \* 12/2004 Peato ..... D8/383  
D507,241 S \* 7/2005 Koessler ..... D13/152  
D529,447 S \* 10/2006 Greenfield ..... D13/156  
7,183,483 B1 \* 2/2007 Anderson et al. .... 174/50  
D556,145 S \* 11/2007 Williams et al. .... D13/152

D563,895 S \* 3/2008 Stuckmann et al. .... D13/152  
D579,417 S \* 10/2008 Stuckmann et al. .... D13/152  
D596,582 S \* 7/2009 Stuckmann et al. .... D13/152  
7,791,496 B2 \* 9/2010 Anderson et al. .... 340/691.1  
2008/0011503 A1 \* 1/2008 Dinh ..... 174/53

**OTHER PUBLICATIONS**

Cooper Wheelock, Installation Instructions Weatherproof Kit (WP-Kit), Weatherproof Flush Plate AS (WFPA), Weatherproof Flush Plate (WFP), Jun. 2006.

\* cited by examiner

*Primary Examiner*—Rosemary K Tarcza

(74) *Attorney, Agent, or Firm*—Husch Blackwell LLP Welsh Katz

(57) **CLAIM**

The ornamental designs for output device back box, as shown and described.

**DESCRIPTION**

FIG. 1 is an isometric view of the present design;

FIG. 2 is a top plan view of the embodiment of FIG. 1;

FIG. 3 is an elevational side view of the output device back box of FIG. 1 from a first orientation;

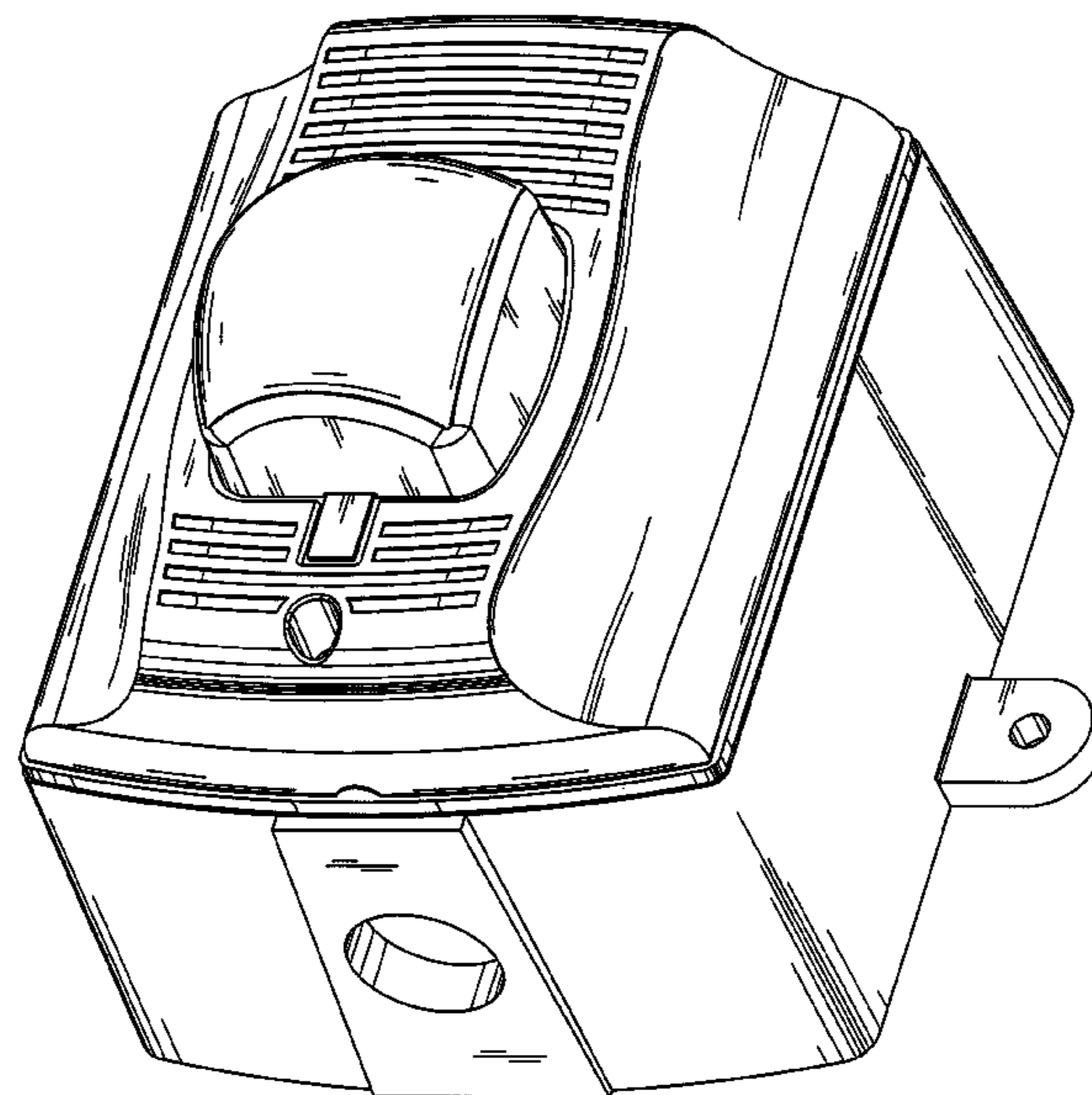
FIG. 4 is an elevational side view of the output device back box of FIG. 1 from a second orientation;

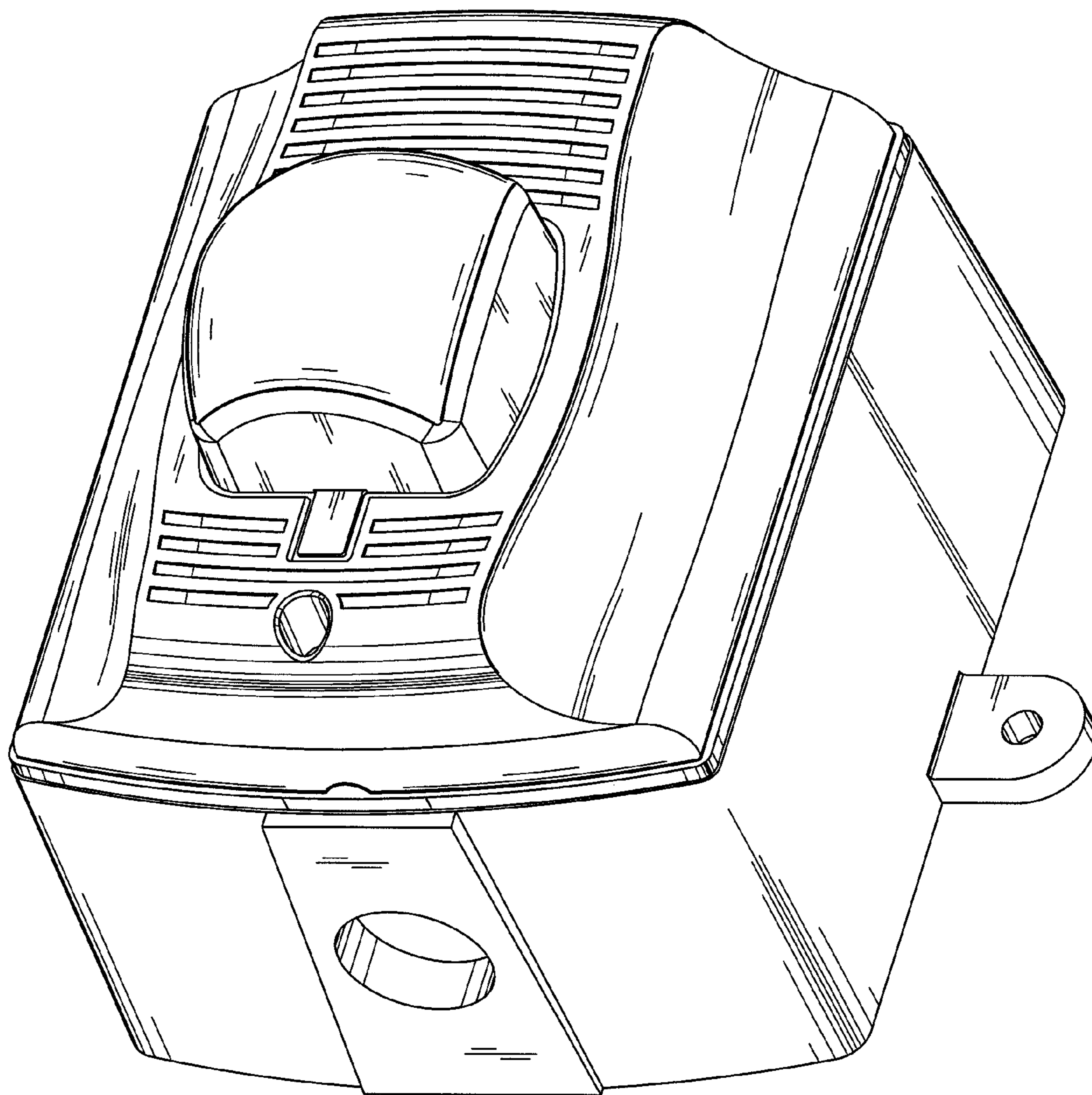
FIG. 5 is an elevational side view of the output device back box of FIG. 1 from a third orientation; and,

FIG. 6 is an elevational side view of the output device back box of FIG. 1 from a fourth orientation.

The bottom view has not been illustrated. This view is unadorned and not part of the invention.

**1 Claim, 6 Drawing Sheets**





*FIG. 1*

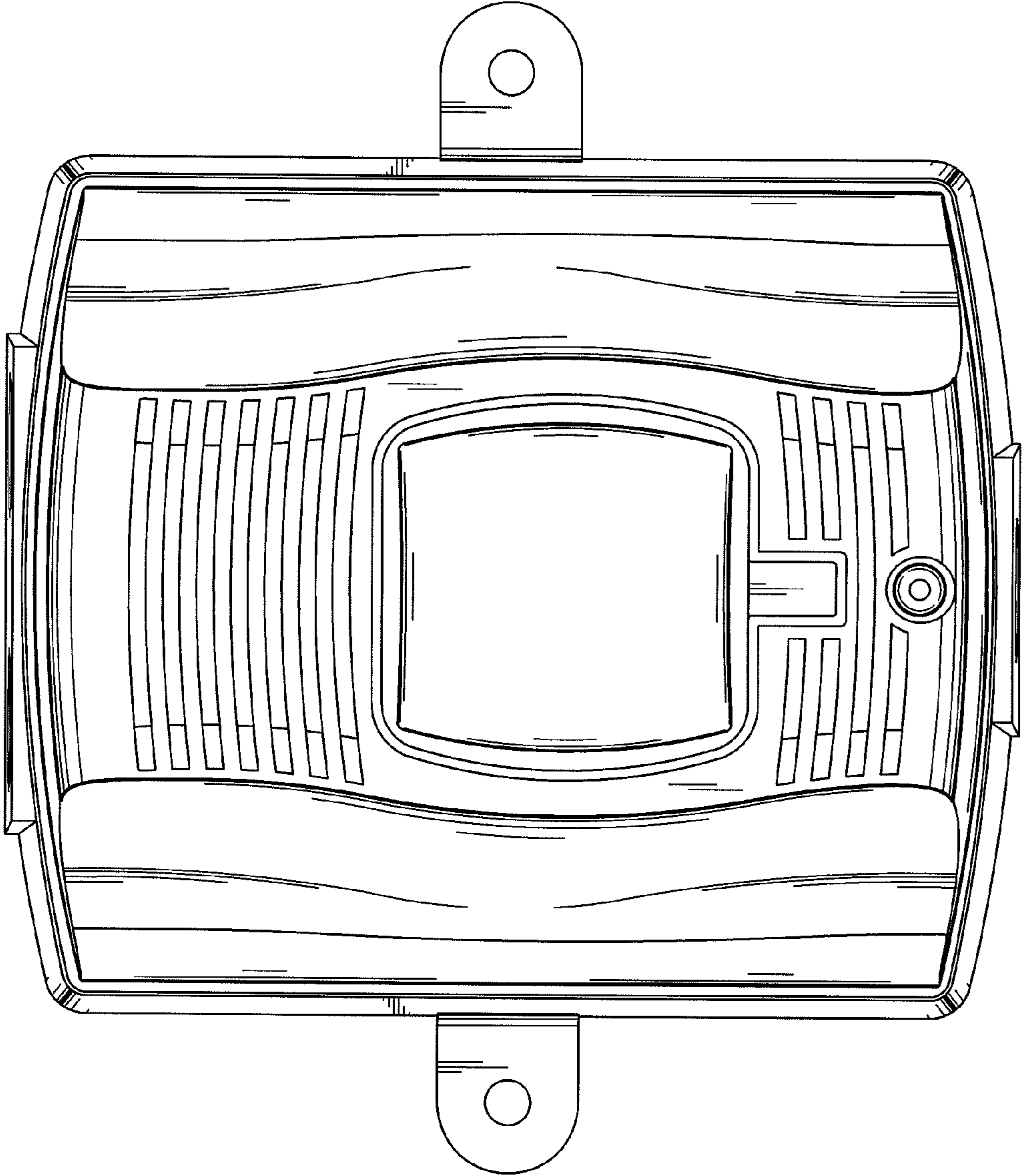


FIG. 2

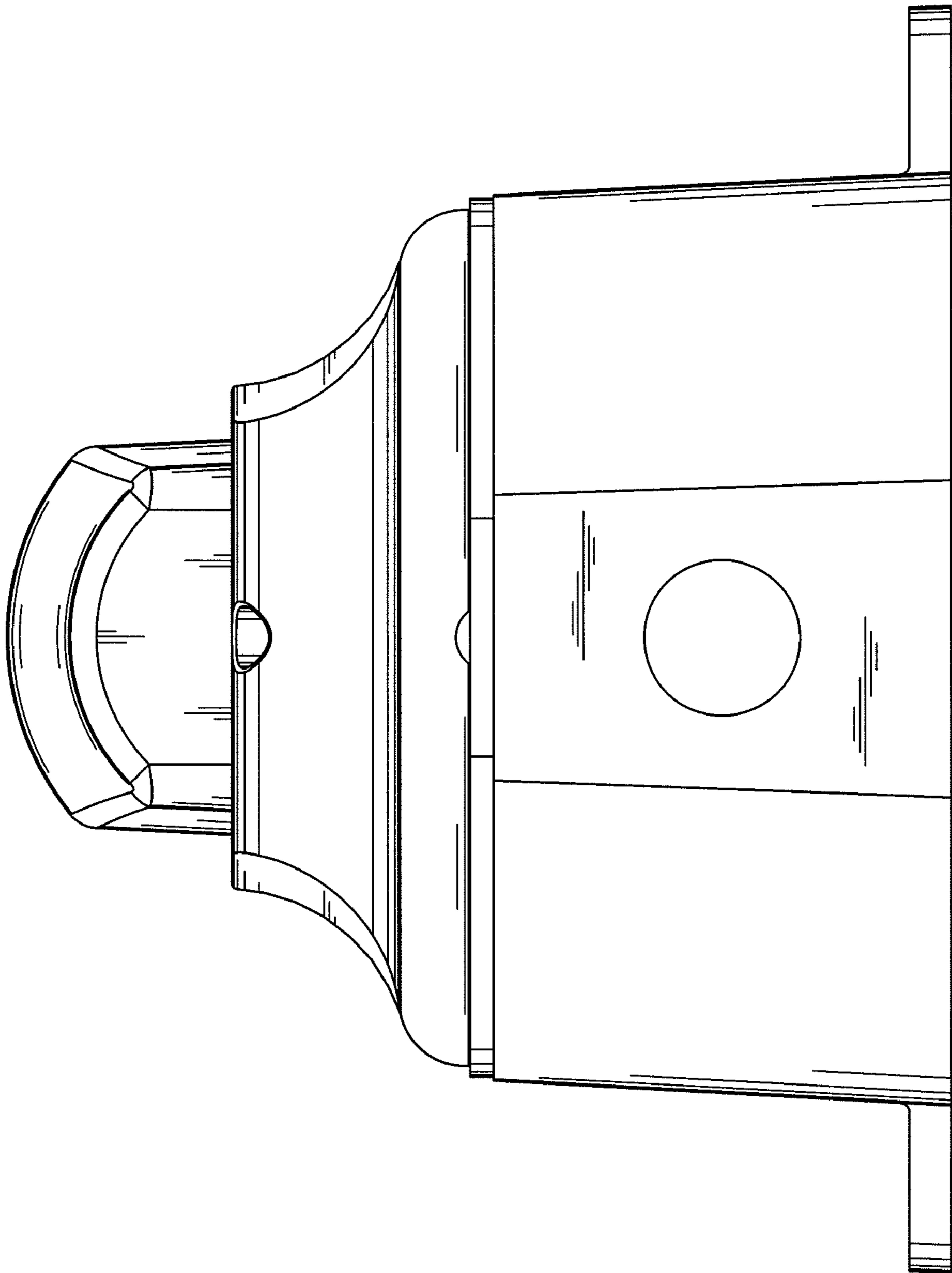
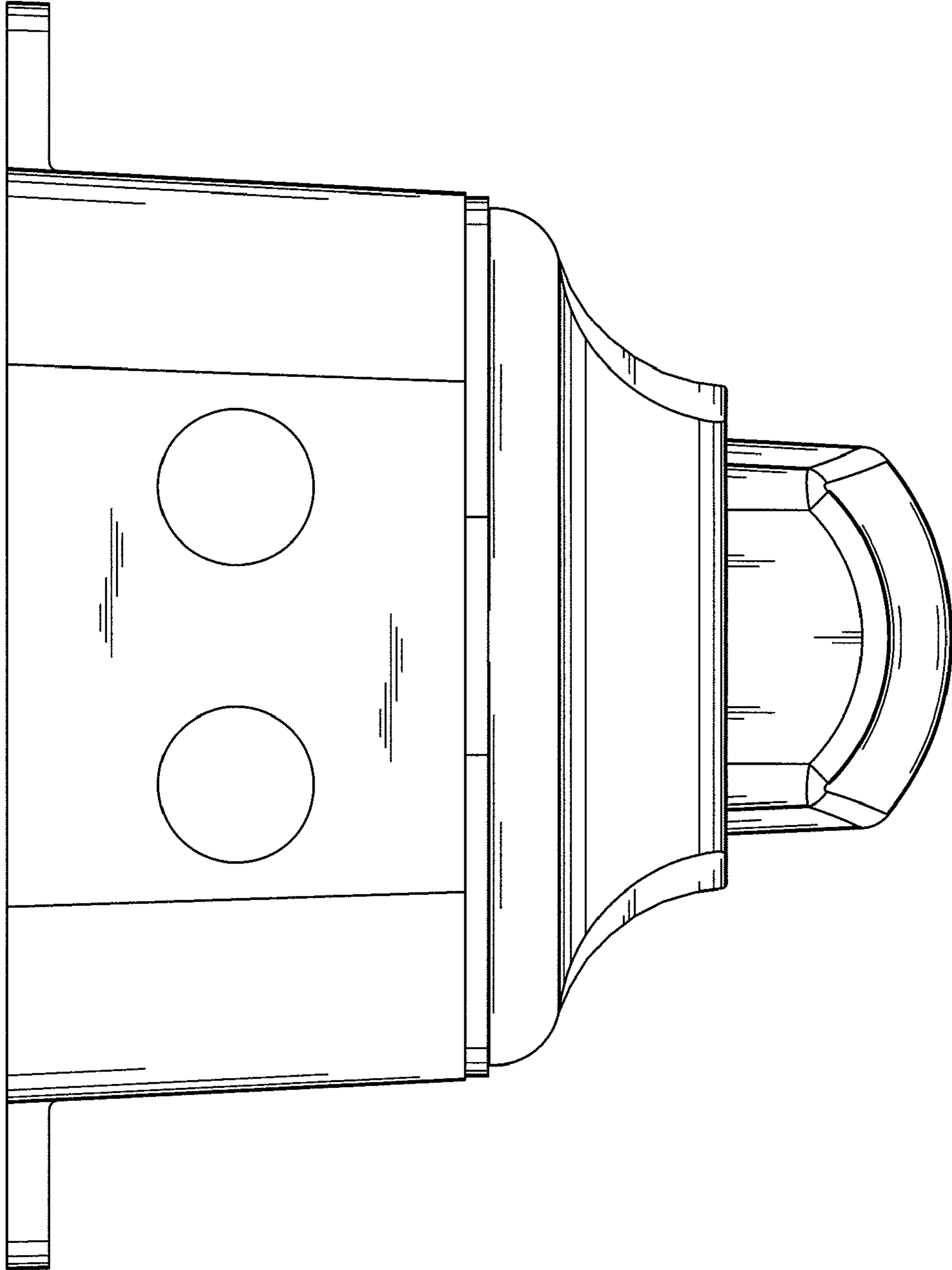
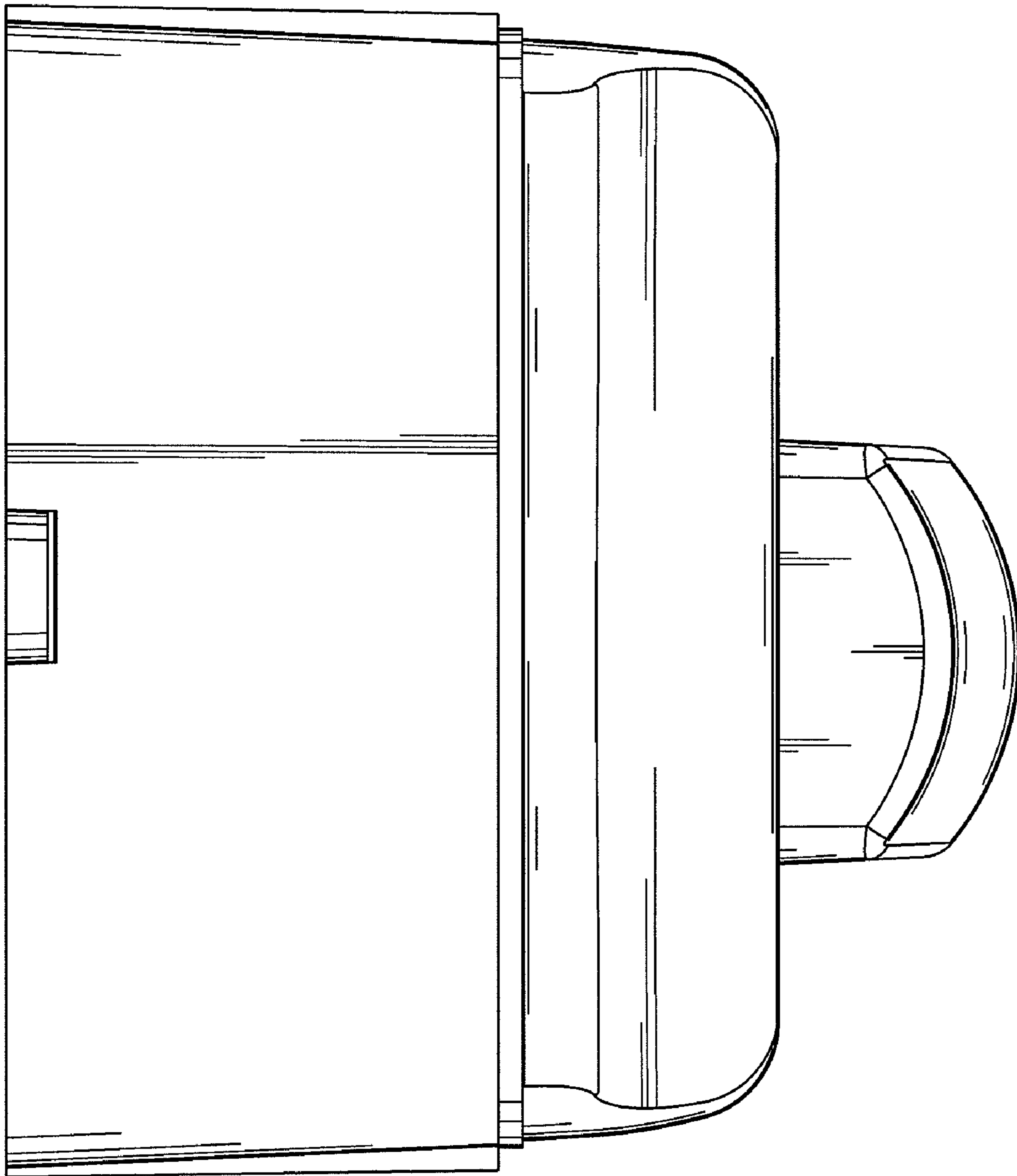


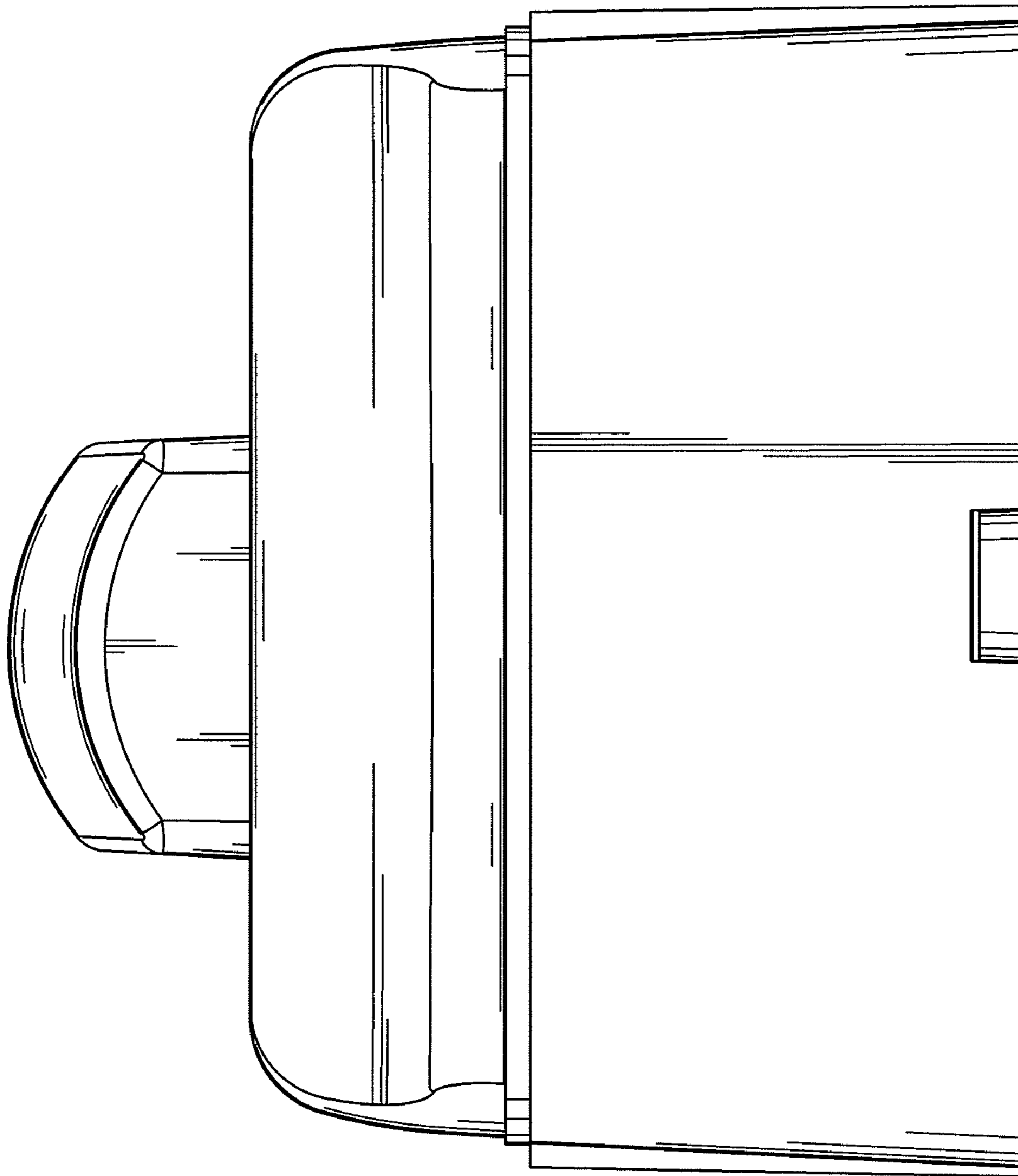
FIG. 3



*FIG. 4*



*FIG. 5*



*FIG. 6*