



US00D632653S

(12) **United States Design Patent**
Wikel et al.

(10) **Patent No.:** **US D632,653 S**
(45) **Date of Patent:** **** Feb. 15, 2011**

(54) **POWER ADAPTER**

(75) Inventors: **Harold L Wikel**, Muskego, WI (US);
Sean P Daw, Grayslake, IL (US)

(73) Assignee: **Motorola Mobility, Inc.**, Libertyville, IL (US)

(**) Term: **14 Years**

(21) Appl. No.: **29/365,296**

(22) Filed: **Jul. 7, 2010**

(51) **LOC (9) Cl.** **13-03**

(52) **U.S. Cl.** **D13/144**

(58) **Field of Classification Search** D13/107,
D13/118, 119, 120, 133, 144, 154, 184; D14/155;
320/65, 107, 108, 109; 363/146; 439/300,
439/620, 638, 668, 669, 675, 825
See application file for complete search history.

(56) **References Cited**

U.S. PATENT DOCUMENTS

D315,543 S *	3/1991	Soren et al.	D13/144
D400,176 S *	10/1998	Jones	D13/144
D505,389 S *	5/2005	Chang	D13/107
D592,633 S *	5/2009	Hynecek et al.	D14/155
D600,206 S *	9/2009	Ledbetter et al.	D13/118

* cited by examiner

Primary Examiner—Daniel D Bui

(57) **CLAIM**

The ornamental design for a power adapter, as shown and described.

DESCRIPTION

FIG. 1 is a top, front and side perspective view of a power adapter, showing our new design;

FIG. 2 is a front view thereof;

FIG. 3 is a rear view thereof;

FIG. 4 is a first side view thereof;

FIG. 5 is a second side view thereof;

FIG. 6 is a top view thereof; and

FIG. 7 is a bottom view thereof.

FIG. 8 is a front perspective view of a second embodiment of an ornamental design for a power adapter;

FIG. 9 is a front view of the second embodiment thereof;

FIG. 10 is a rear view of the second embodiment thereof;

FIG. 11 is a first side view of the second embodiment thereof;

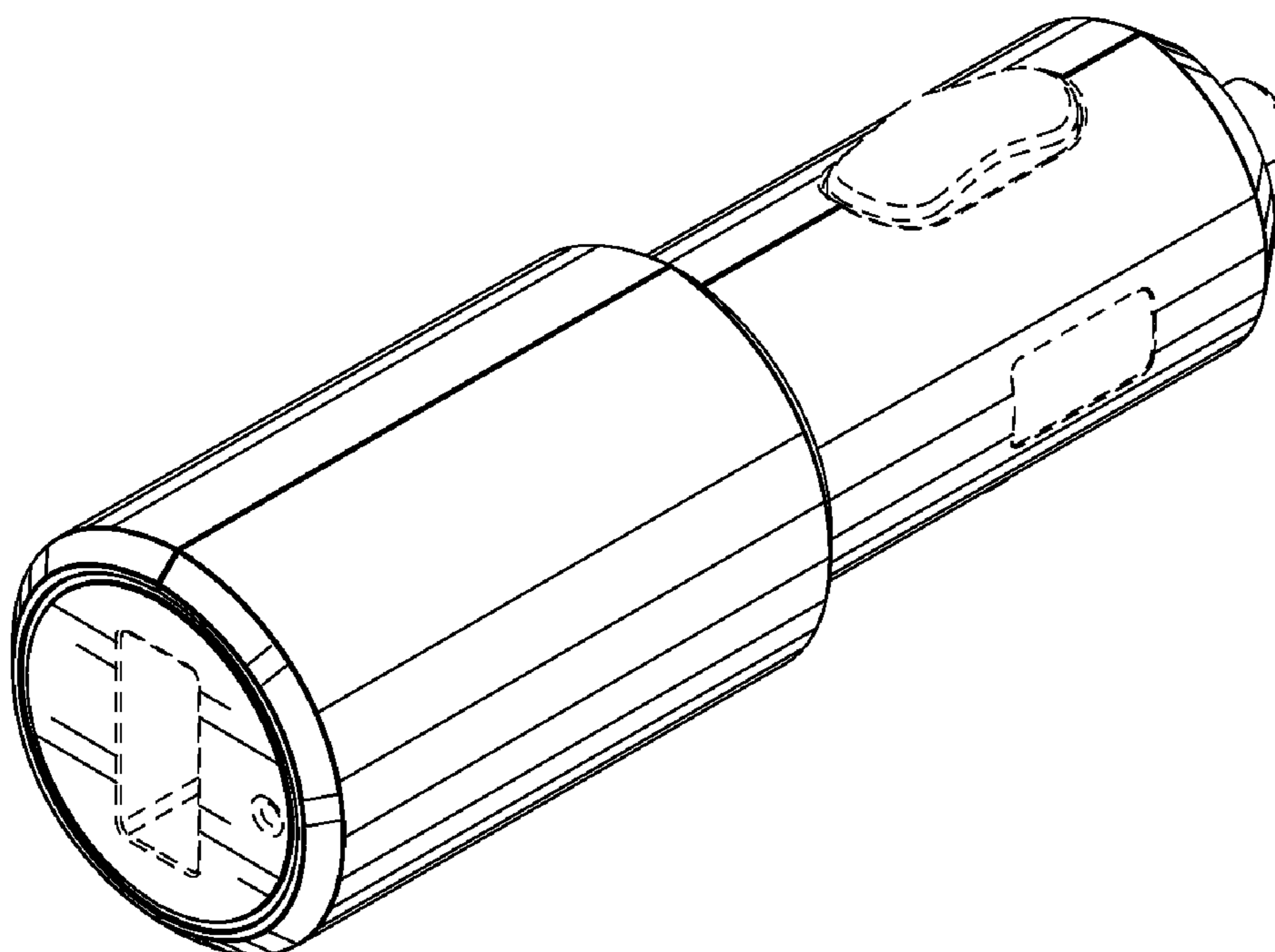
FIG. 12 is a second side view of the second embodiment thereof;

FIG. 13 is a top view of the second embodiment thereof; and,

FIG. 14 is a bottom view of the second embodiment thereof.

The broken line portion of the figure drawings is included to show unclaimed subject matter only and forms no part of the claimed design.

1 Claim, 8 Drawing Sheets



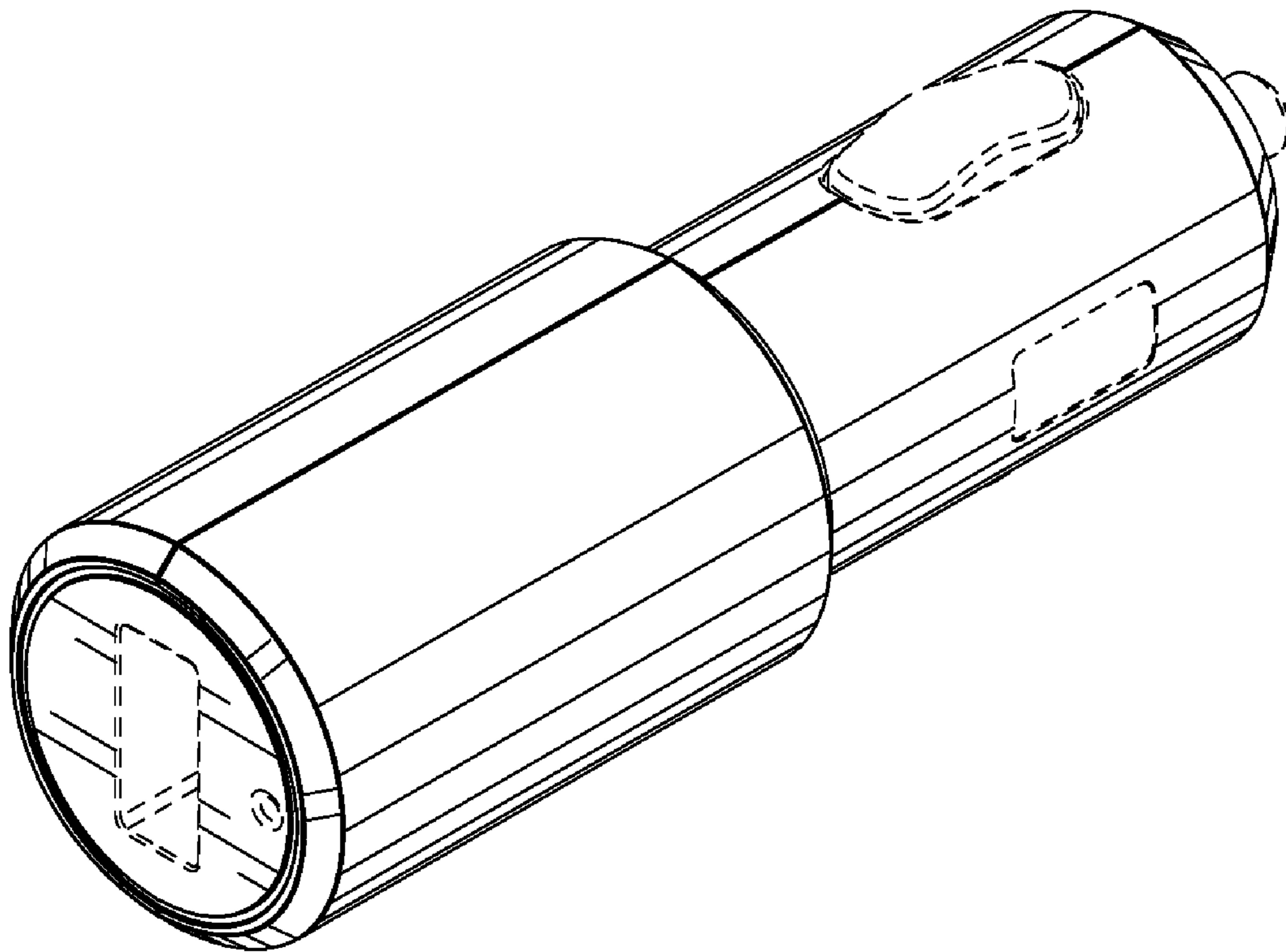


FIG. 1

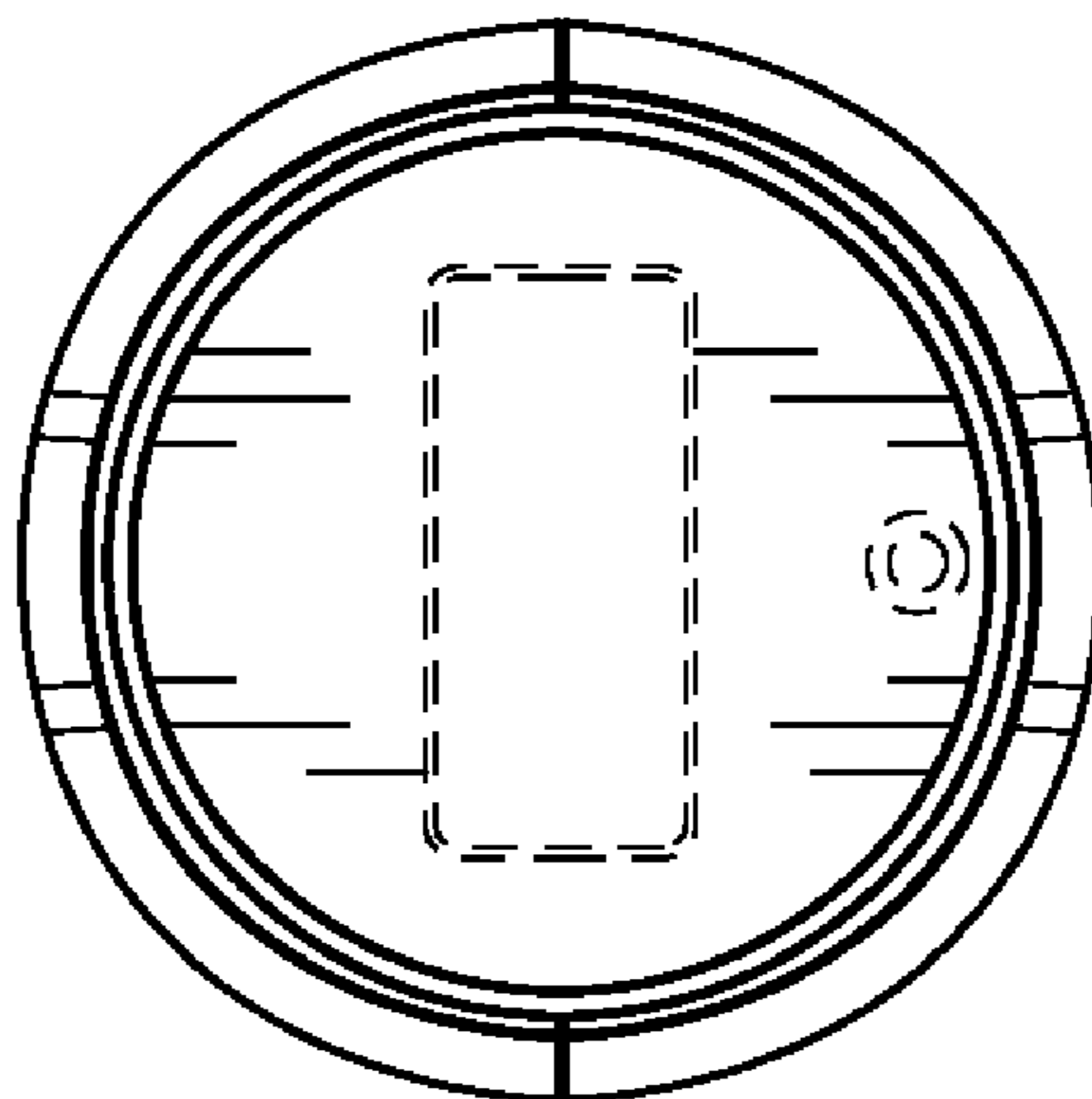


FIG. 2

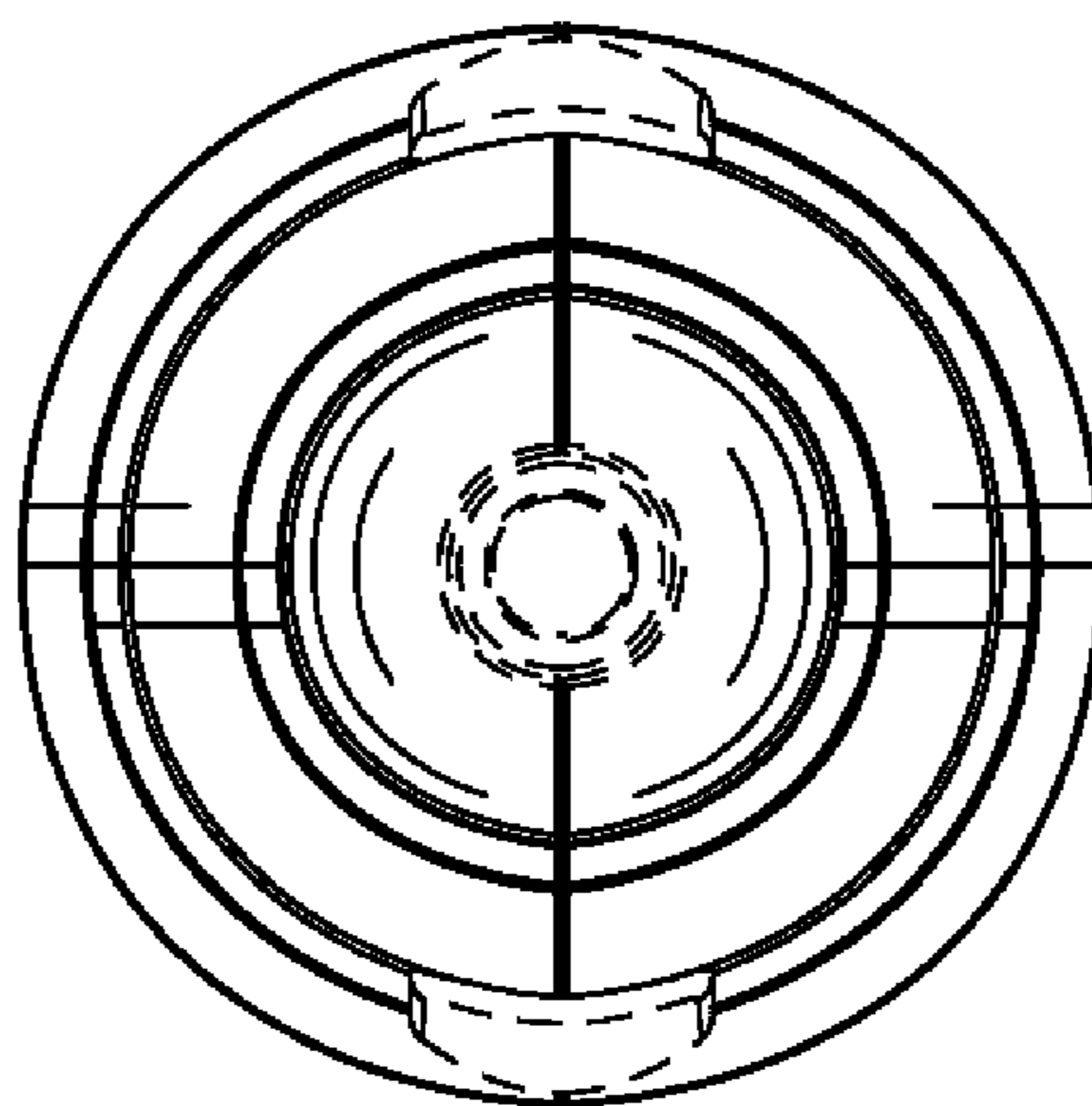


FIG. 3

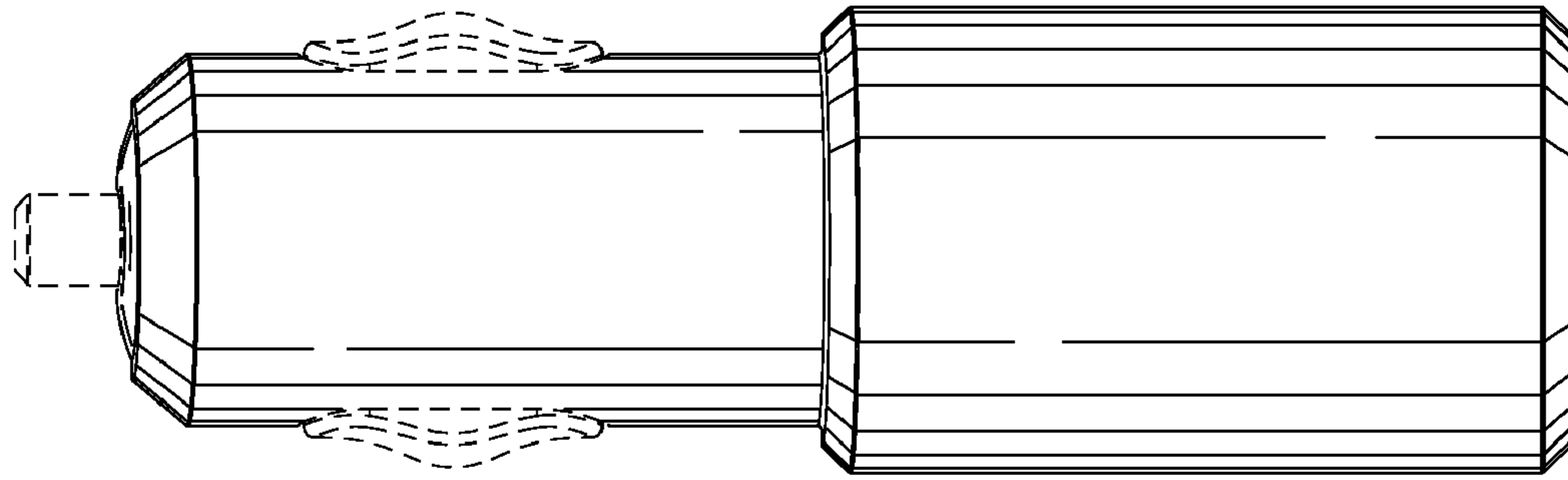


FIG. 4

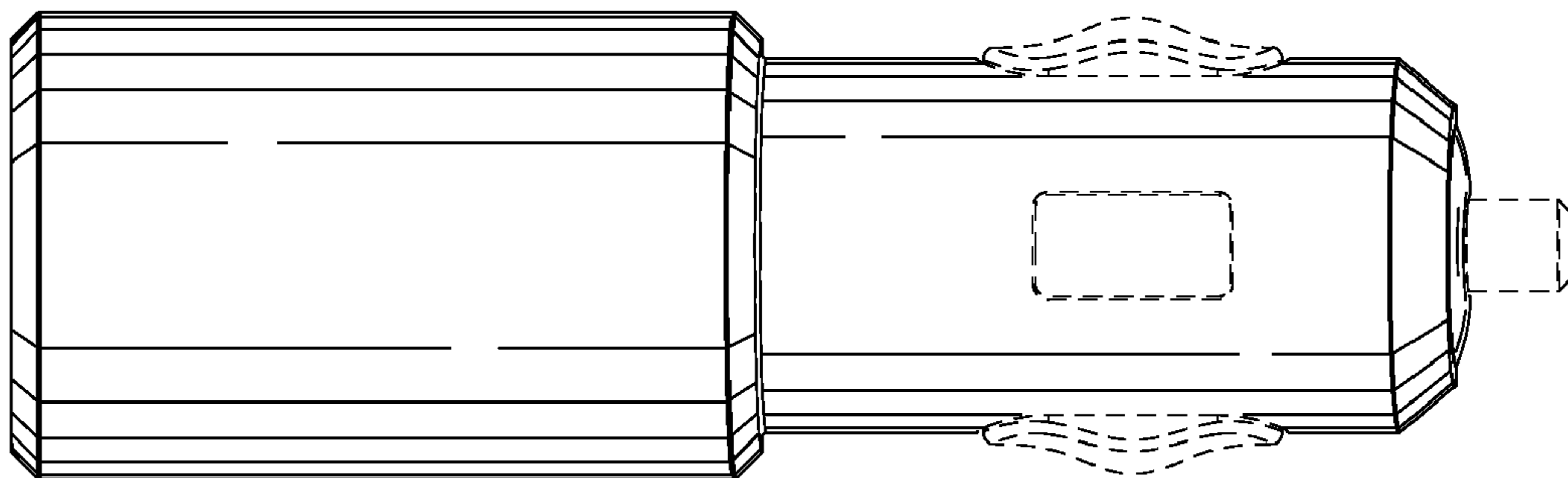


FIG. 5

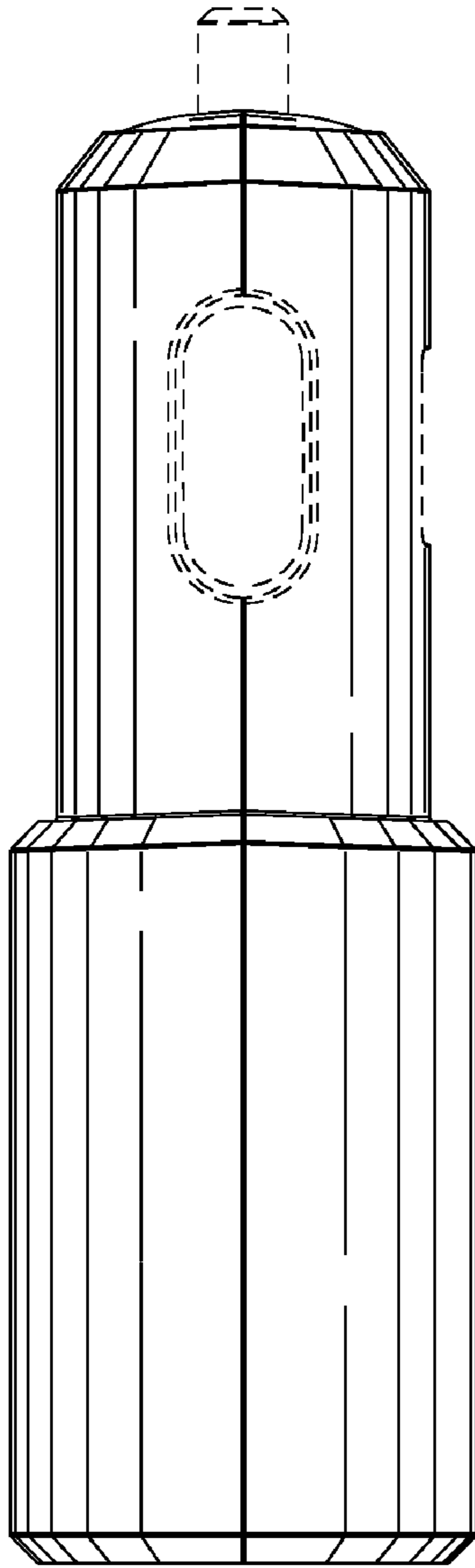


FIG. 6

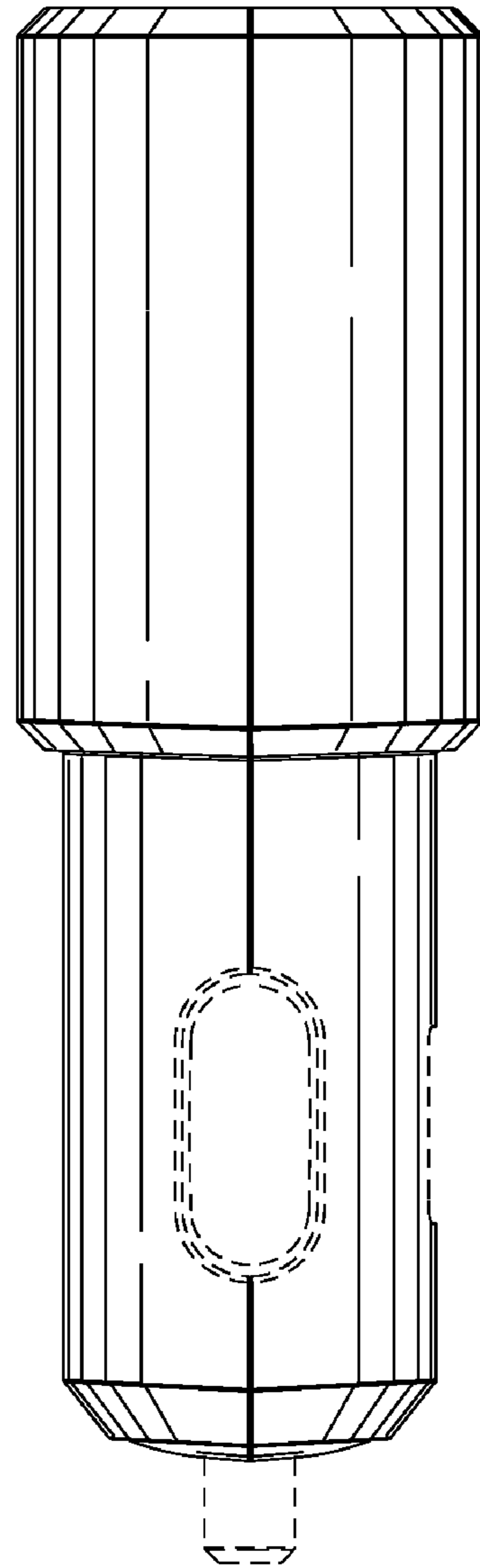


FIG. 7

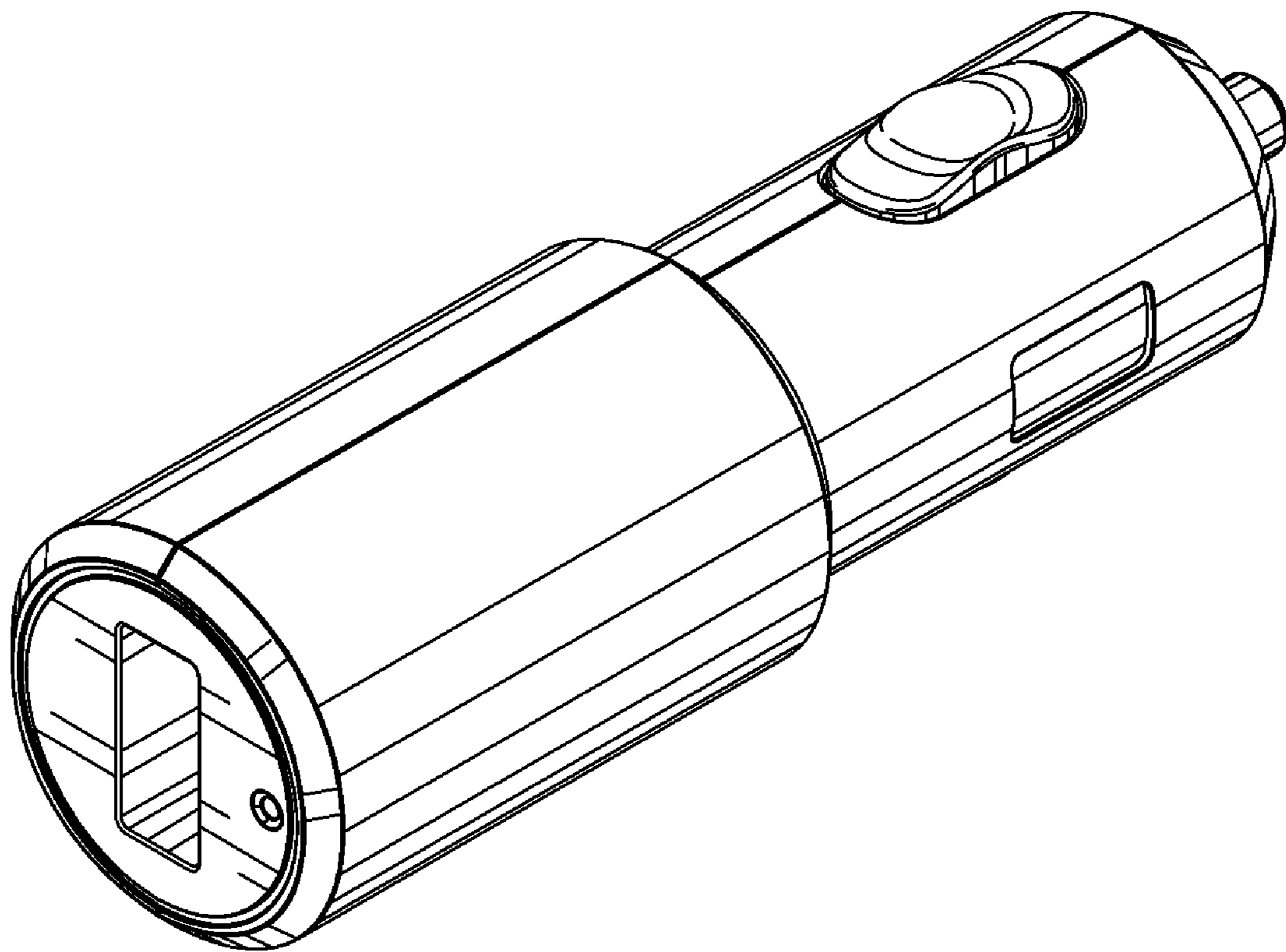


FIG. 8

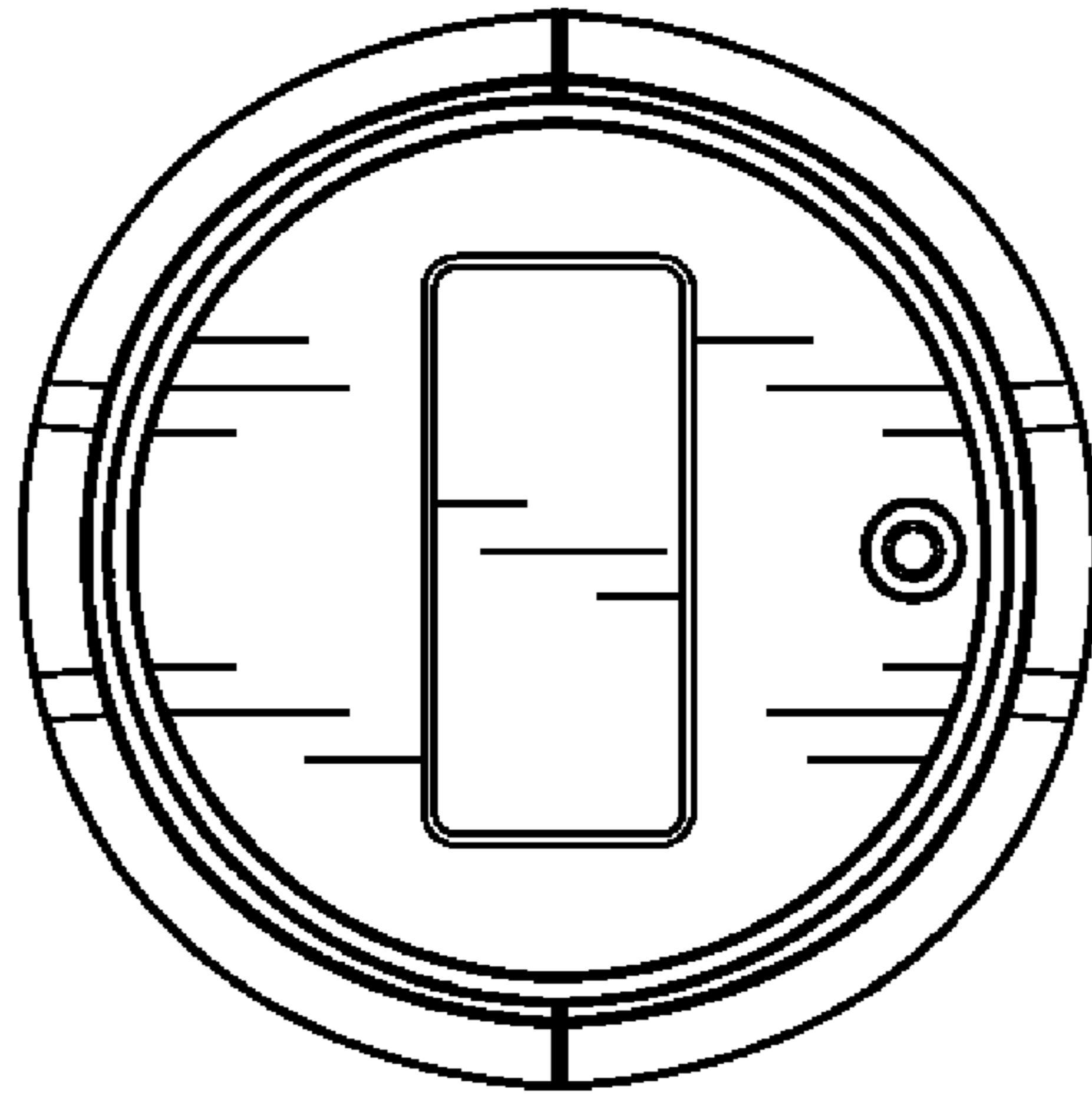


FIG. 9

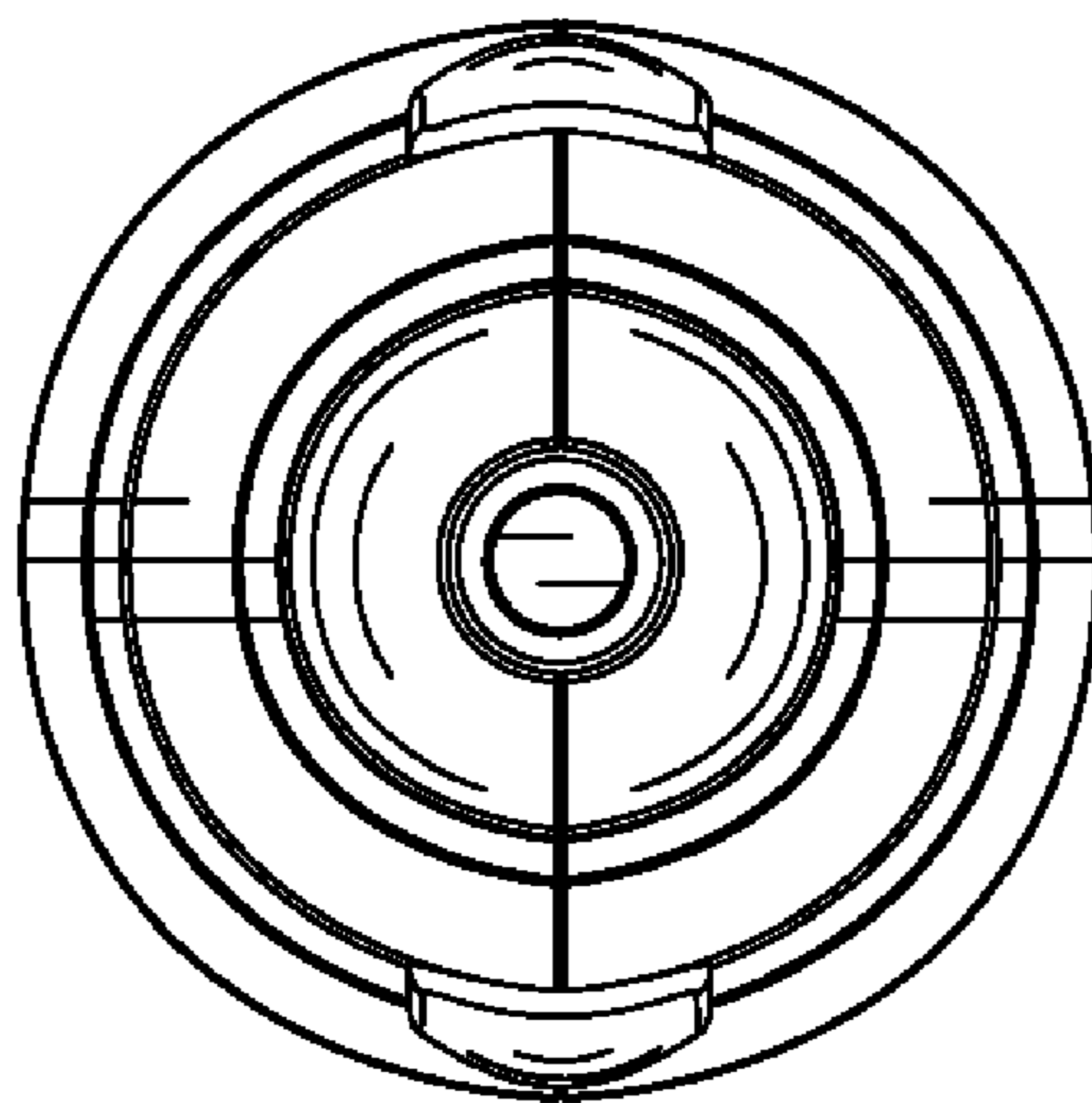


FIG. 10

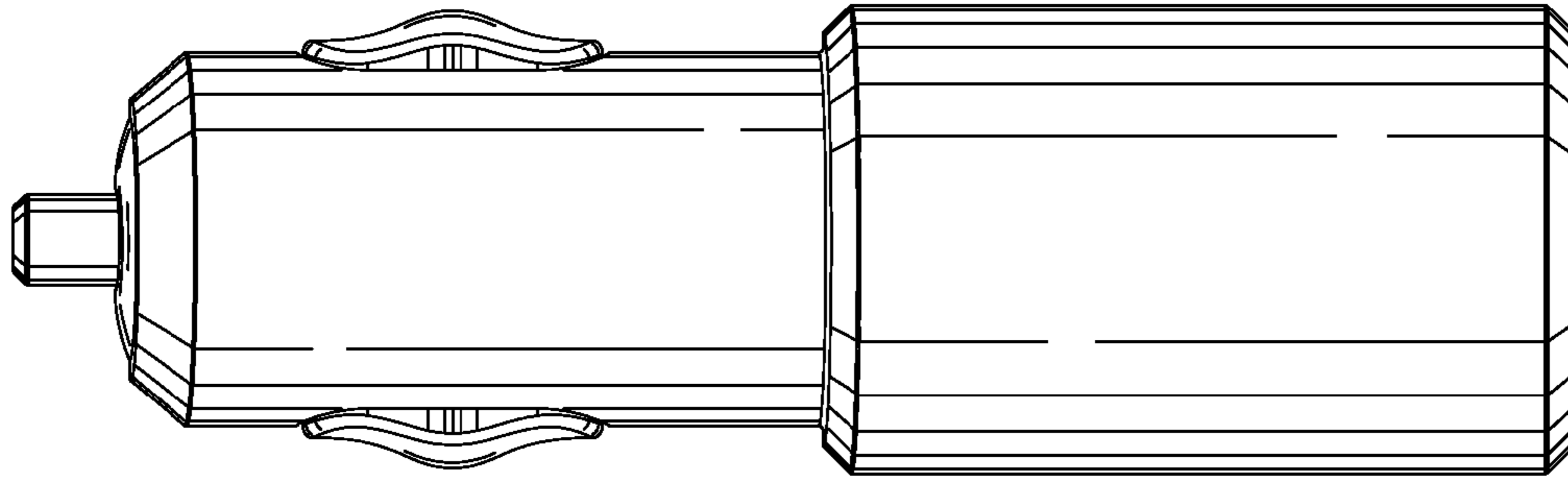


FIG. 11

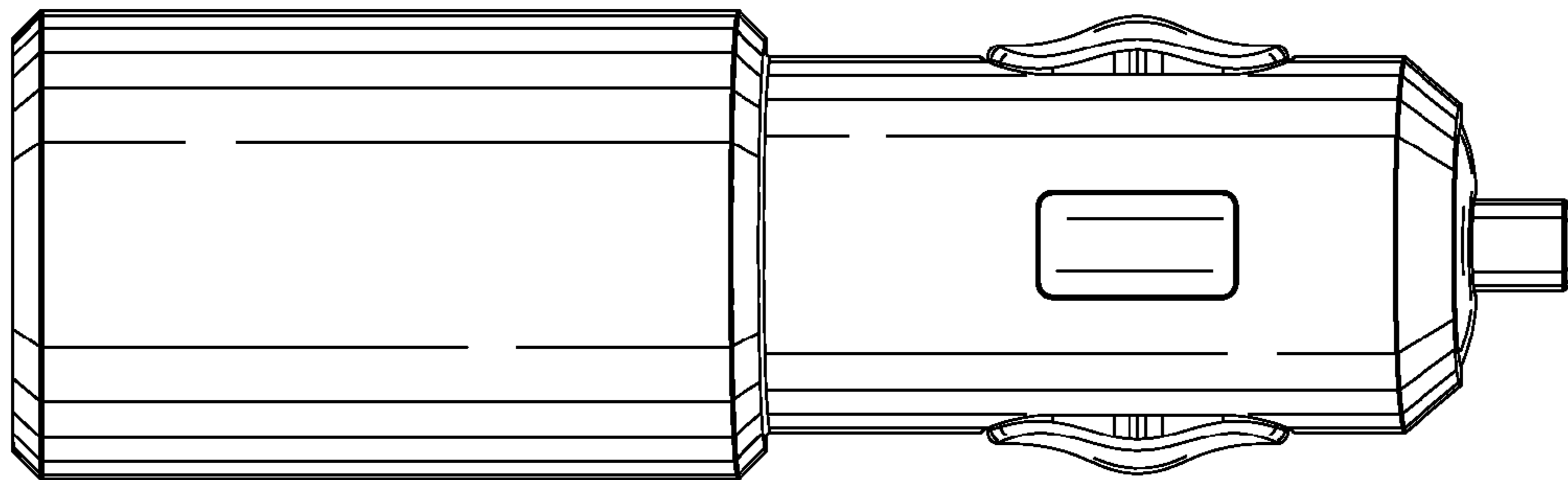


FIG. 12

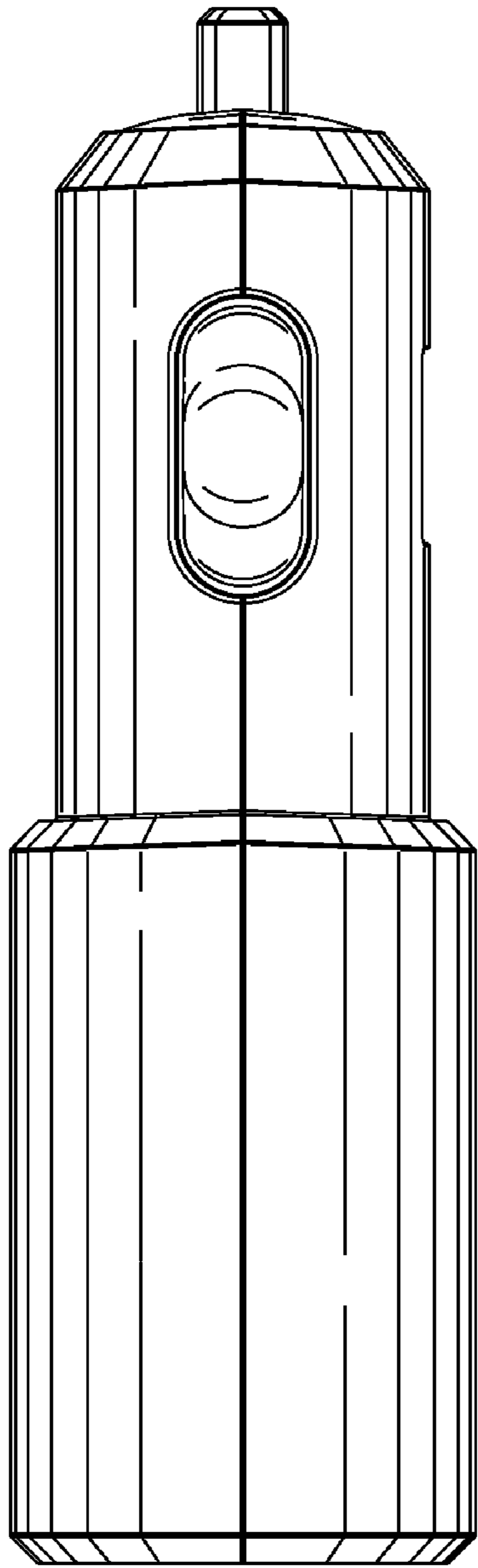


FIG. 13

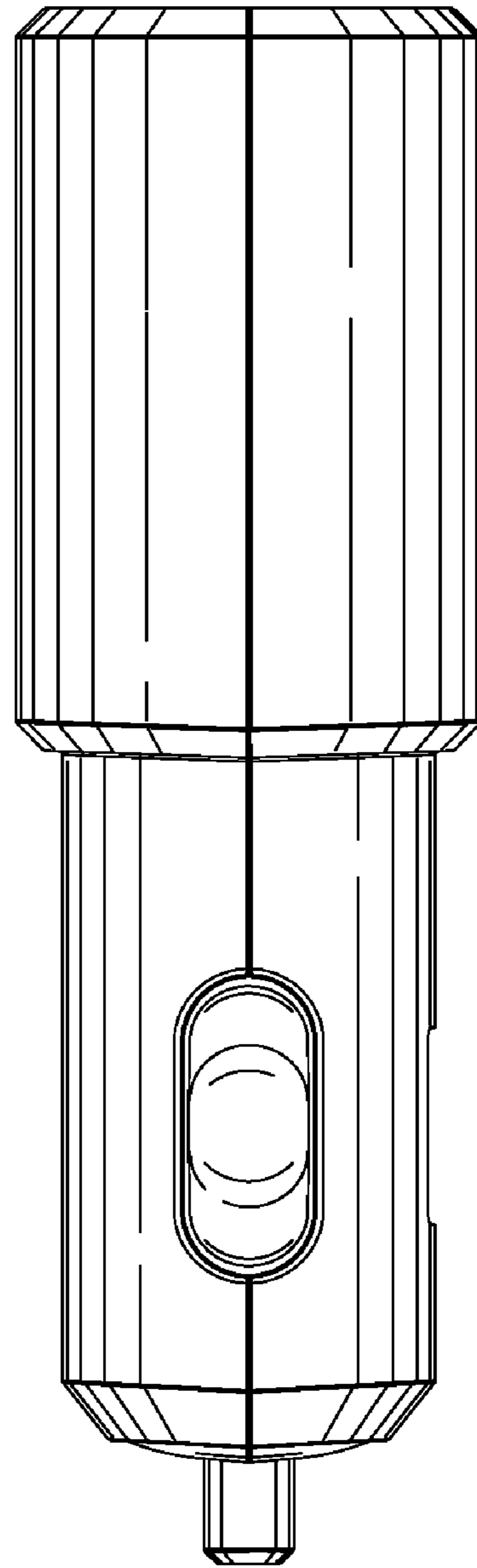


FIG. 14