



US00D632652S

(12) **United States Design Patent**  
**Wikel et al.**

(10) **Patent No.:** **US D632,652 S**

(45) **Date of Patent:** **\*\* Feb. 15, 2011**

(54) **POWER ADAPTER**

(75) Inventors: **Harold L Wikel**, Muskego, WI (US);  
**Matthew B Ansley**, Muskego, WI (US)

(73) Assignee: **Motorola Mobility, Inc.**, Libertyville, IL (US)

(\*\*) Term: **14 Years**

(21) Appl. No.: **29/365,295**

(22) Filed: **Jul. 7, 2010**

(51) **LOC (9) Cl.** ..... **13-03**

(52) **U.S. Cl.** ..... **D13/144**

(58) **Field of Classification Search** ..... D13/107,  
D13/118, 119, 120, 133, 144, 154, 184; D14/155;  
320/65, 107, 108, 109; 363/146; 439/300,  
439/620, 638, 668, 669, 675, 825

See application file for complete search history.

(56) **References Cited**

U.S. PATENT DOCUMENTS

D522,992 S *	6/2006	Dayan	.....	D14/155
D524,285 S *	7/2006	Dayan	.....	D14/155
D548,719 S *	8/2007	Dayan	.....	D14/155
D608,284 S *	1/2010	Lin	.....	D13/144
D609,644 S *	2/2010	Lin	.....	D13/144

\* cited by examiner

*Primary Examiner*—Daniel D Bui

(57) **CLAIM**

The ornamental design for a power adapter, as shown and described.

**DESCRIPTION**

FIG. 1 is a top, front and side perspective view of a power adapter, showing our new design;

FIG. 2 is a first side view thereof;

FIG. 3 is a second side view thereof;

FIG. 4 is a rear view thereof;

FIG. 5 is a front view thereof;

FIG. 6 is a top view thereof; and

FIG. 7 is a bottom view thereof.

FIG. 8 is a front perspective view of a second embodiment of an ornamental design for a power adapter;

FIG. 9 is a first side view of the second embodiment thereof;

FIG. 10 is a second side view of the second embodiment thereof;

FIG. 11 is a rear view of the second embodiment thereof;

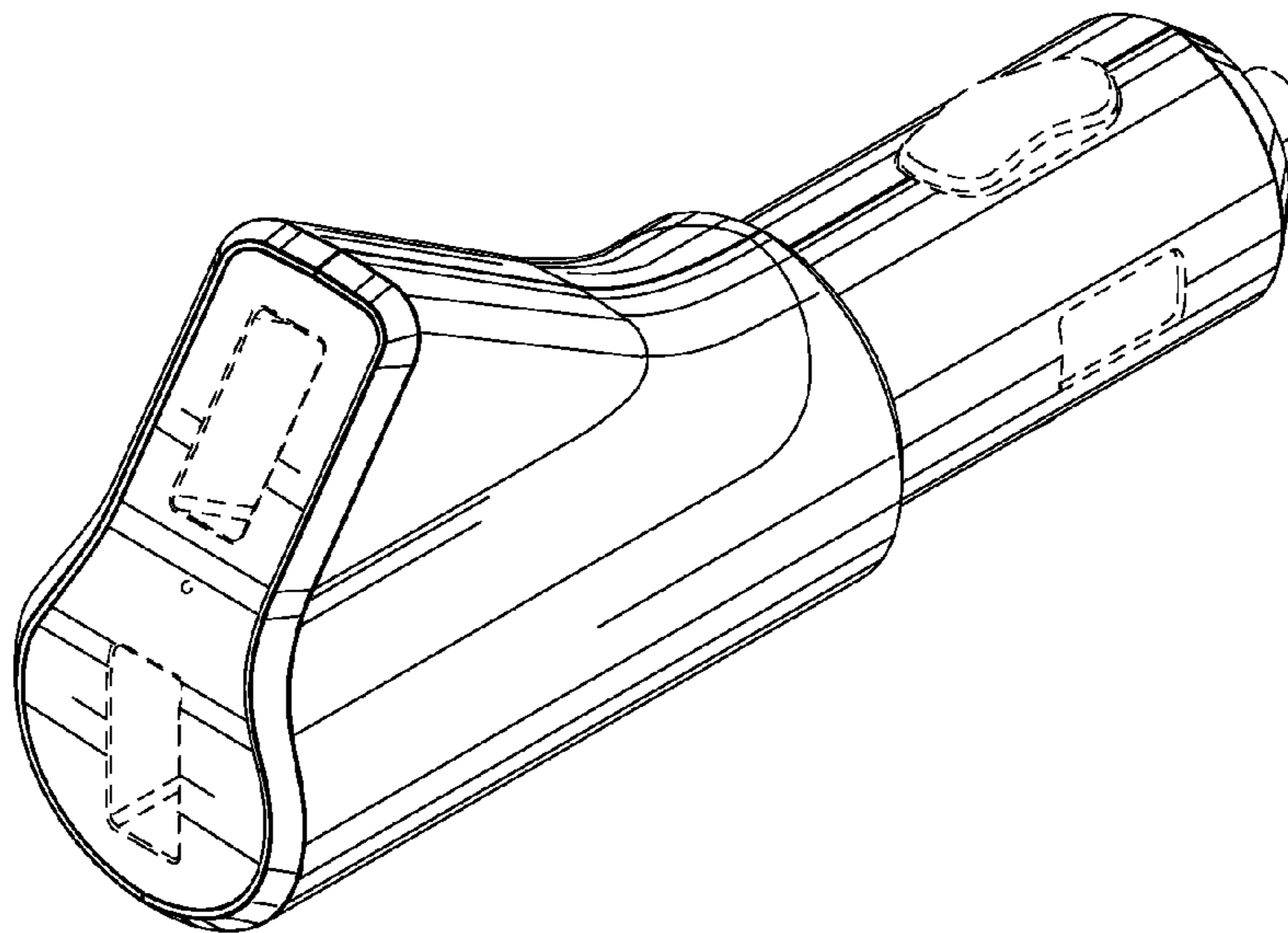
FIG. 12 is a front view of the second embodiment thereof;

FIG. 13 is a top view of the second embodiment thereof; and,

FIG. 14 is a bottom view of the second embodiment thereof.

The broken line portion of the figure drawings is included to show unclaimed subject matter only and forms no part of the claimed design.

**1 Claim, 8 Drawing Sheets**



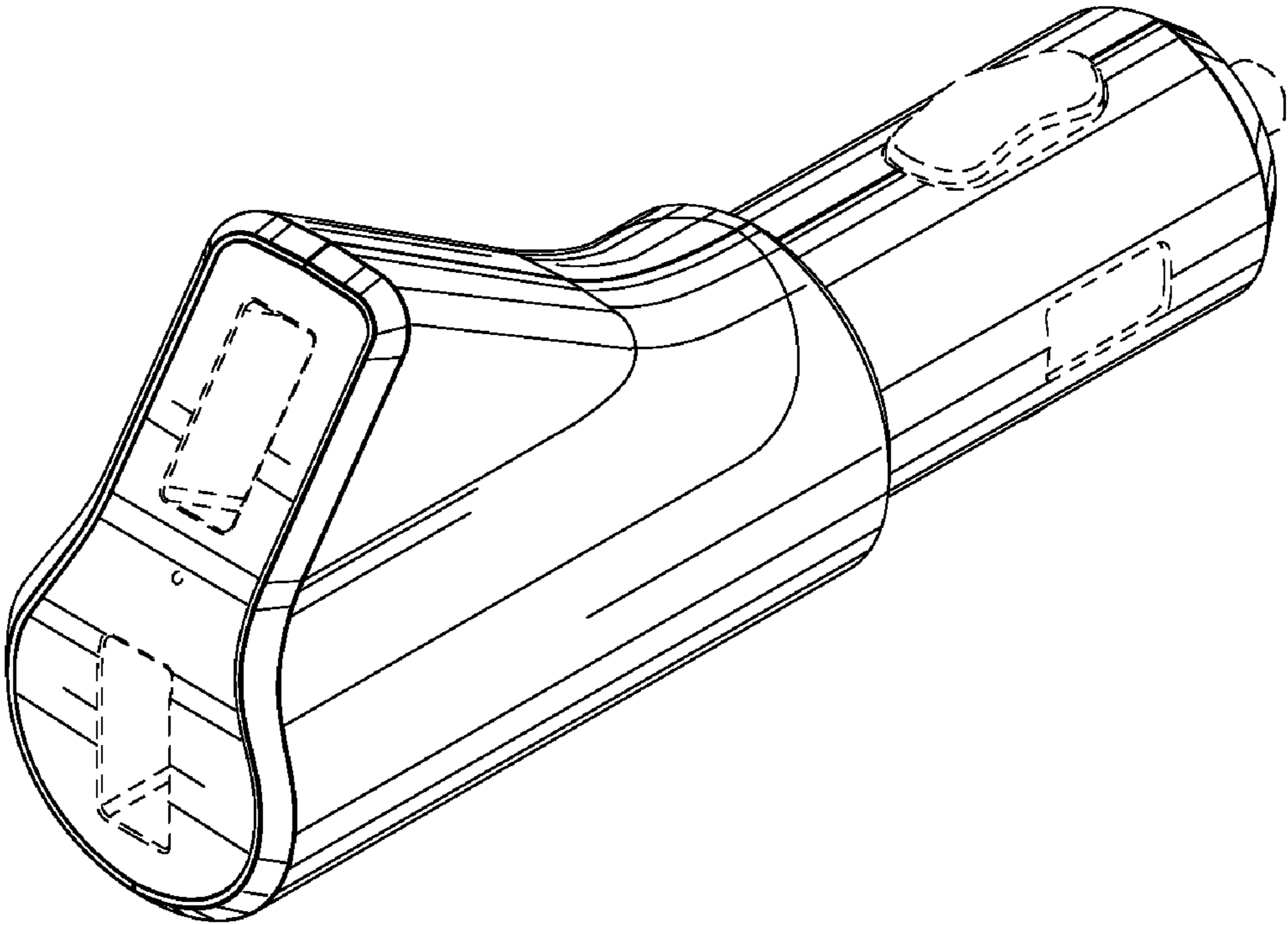


FIG. 1

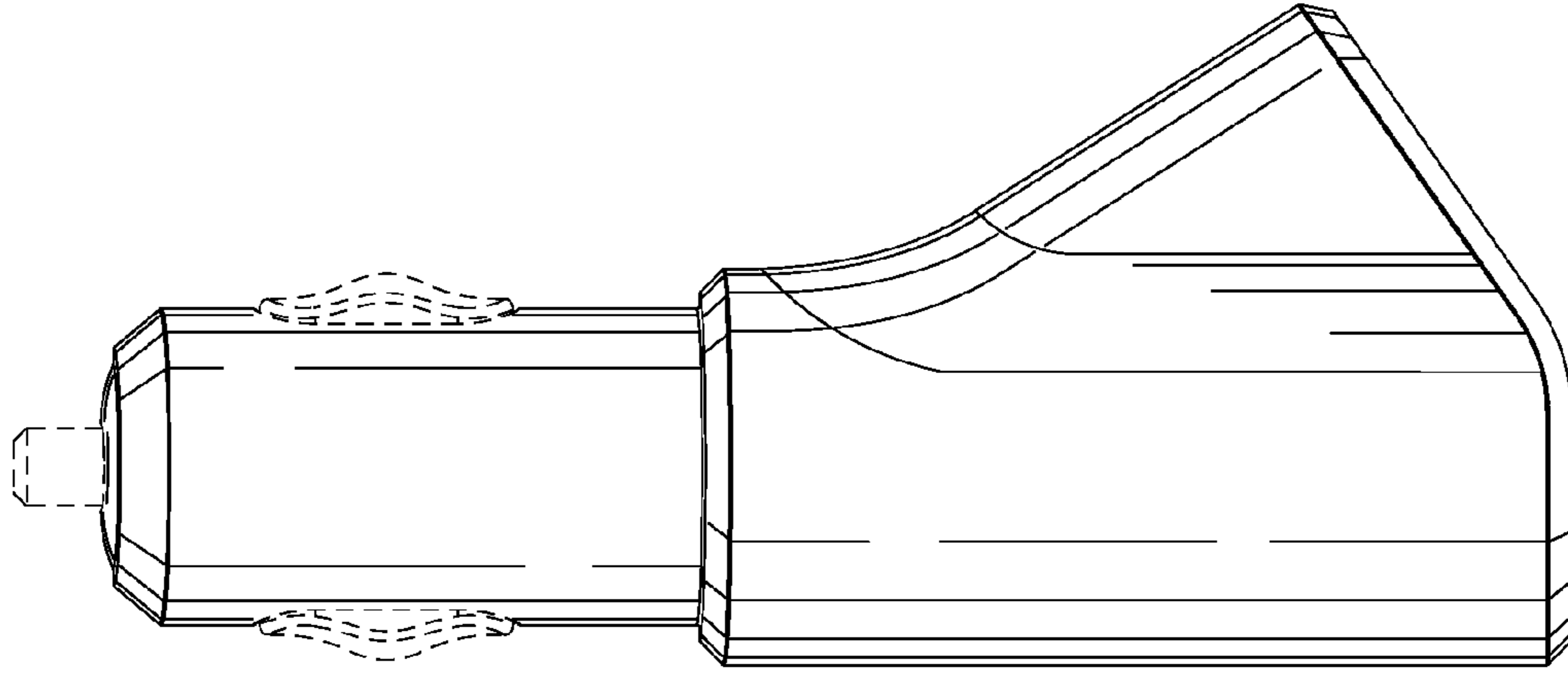


FIG. 2

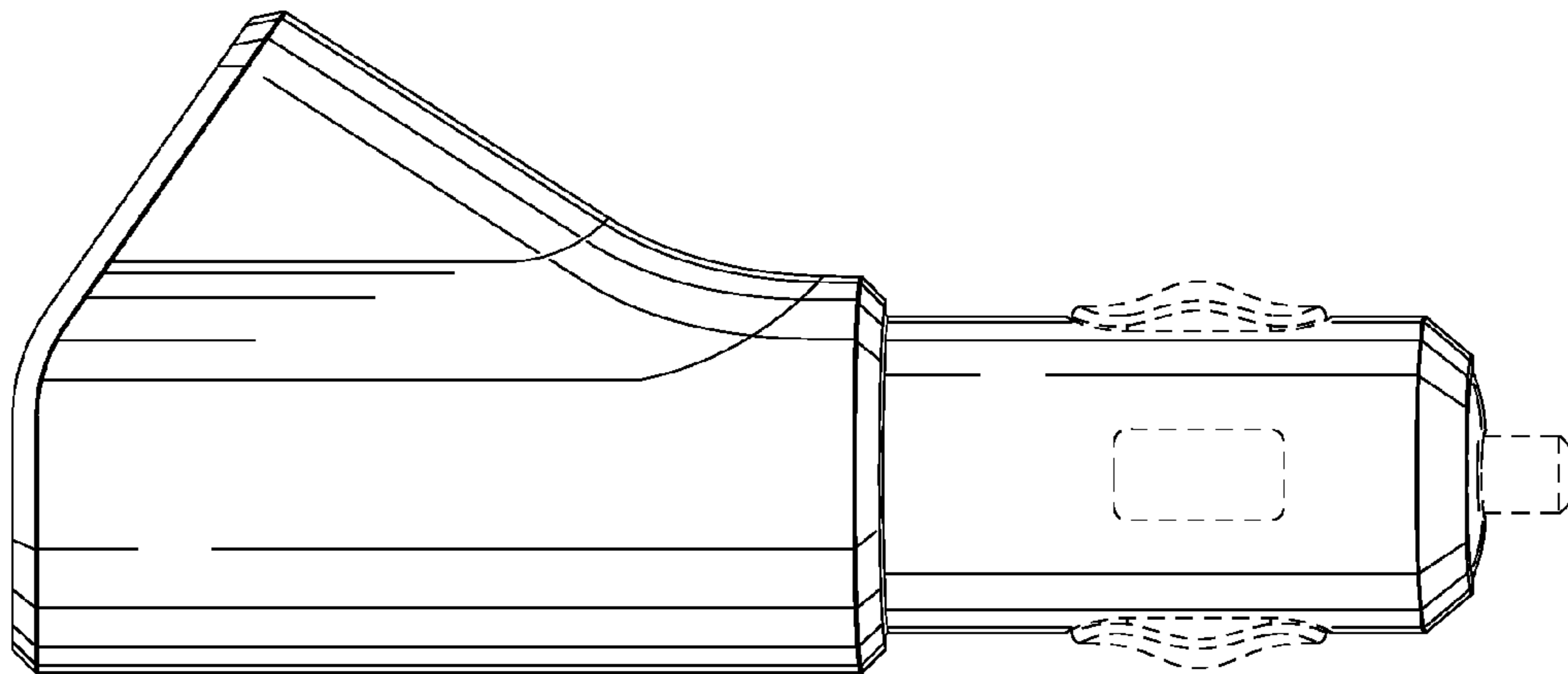


FIG. 3

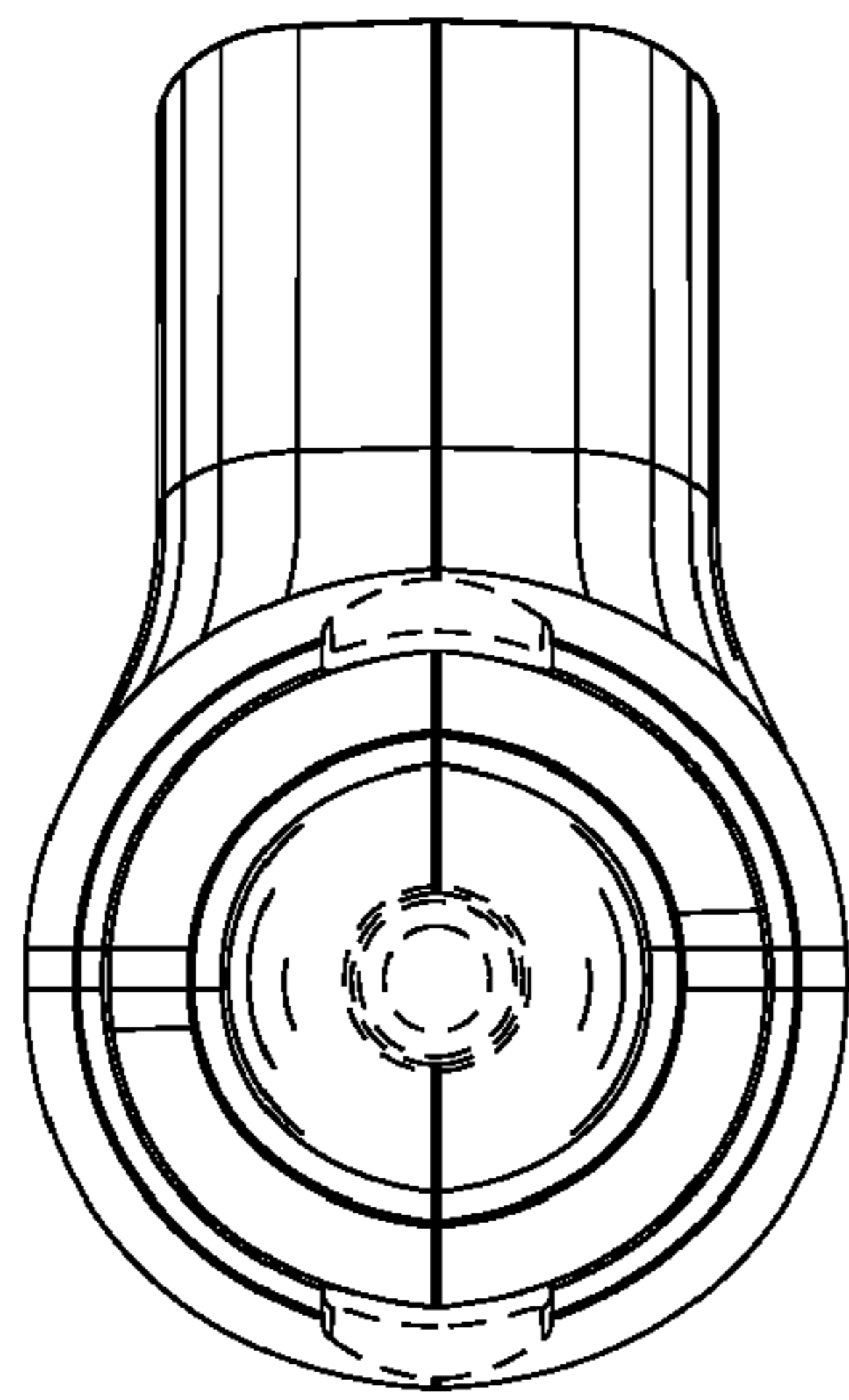


FIG. 4

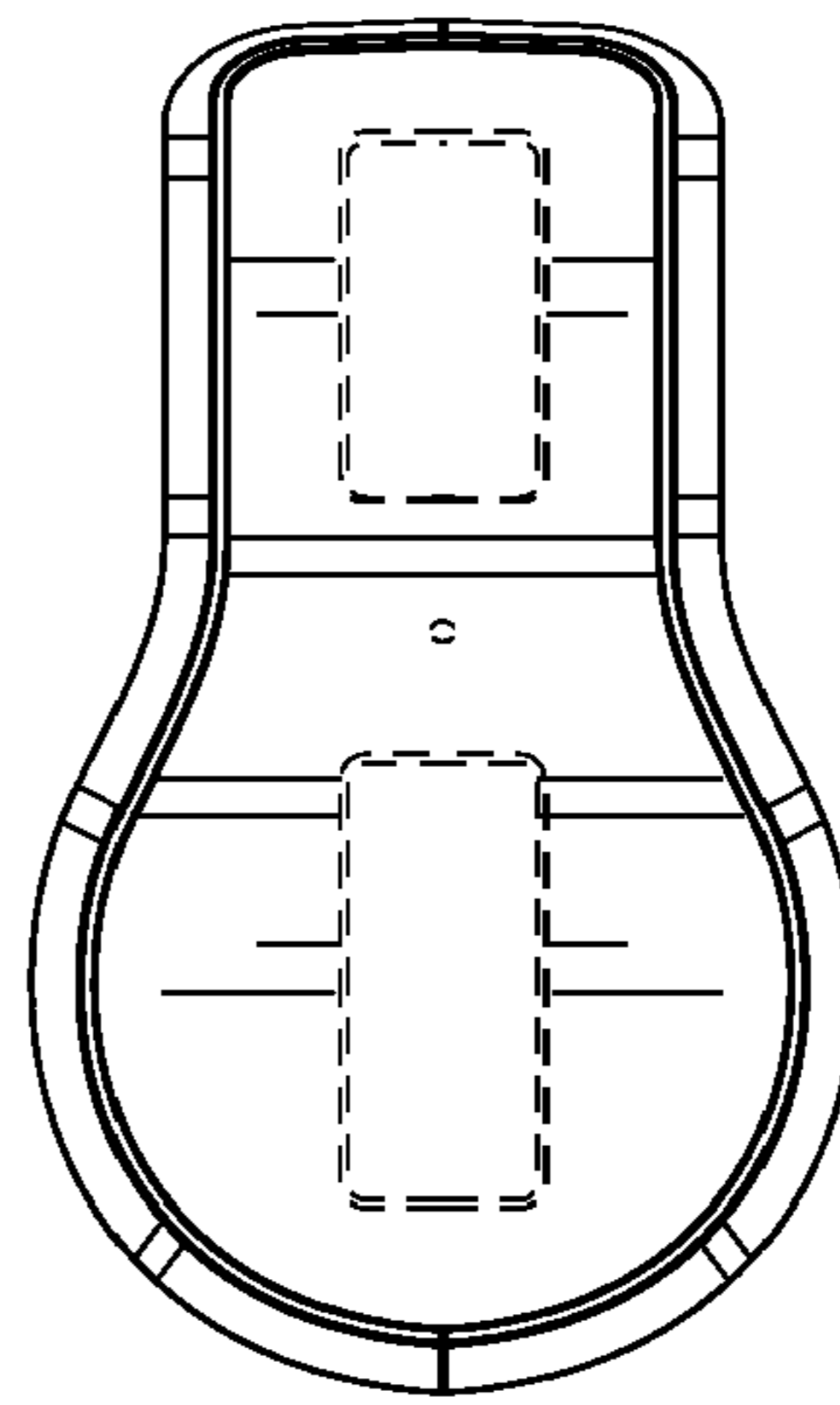


FIG. 5

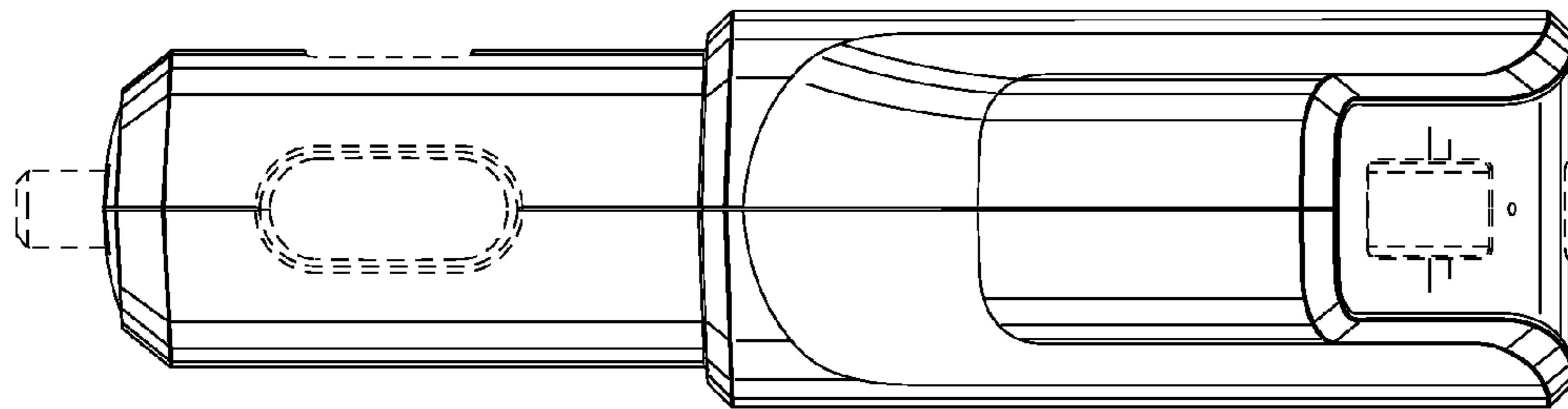


FIG. 6

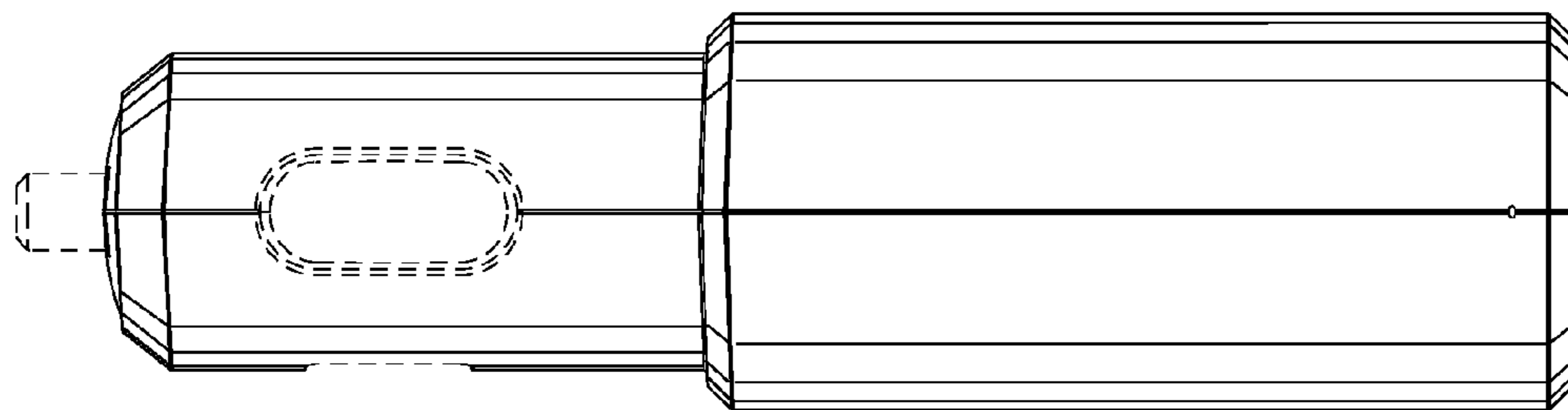


FIG. 7

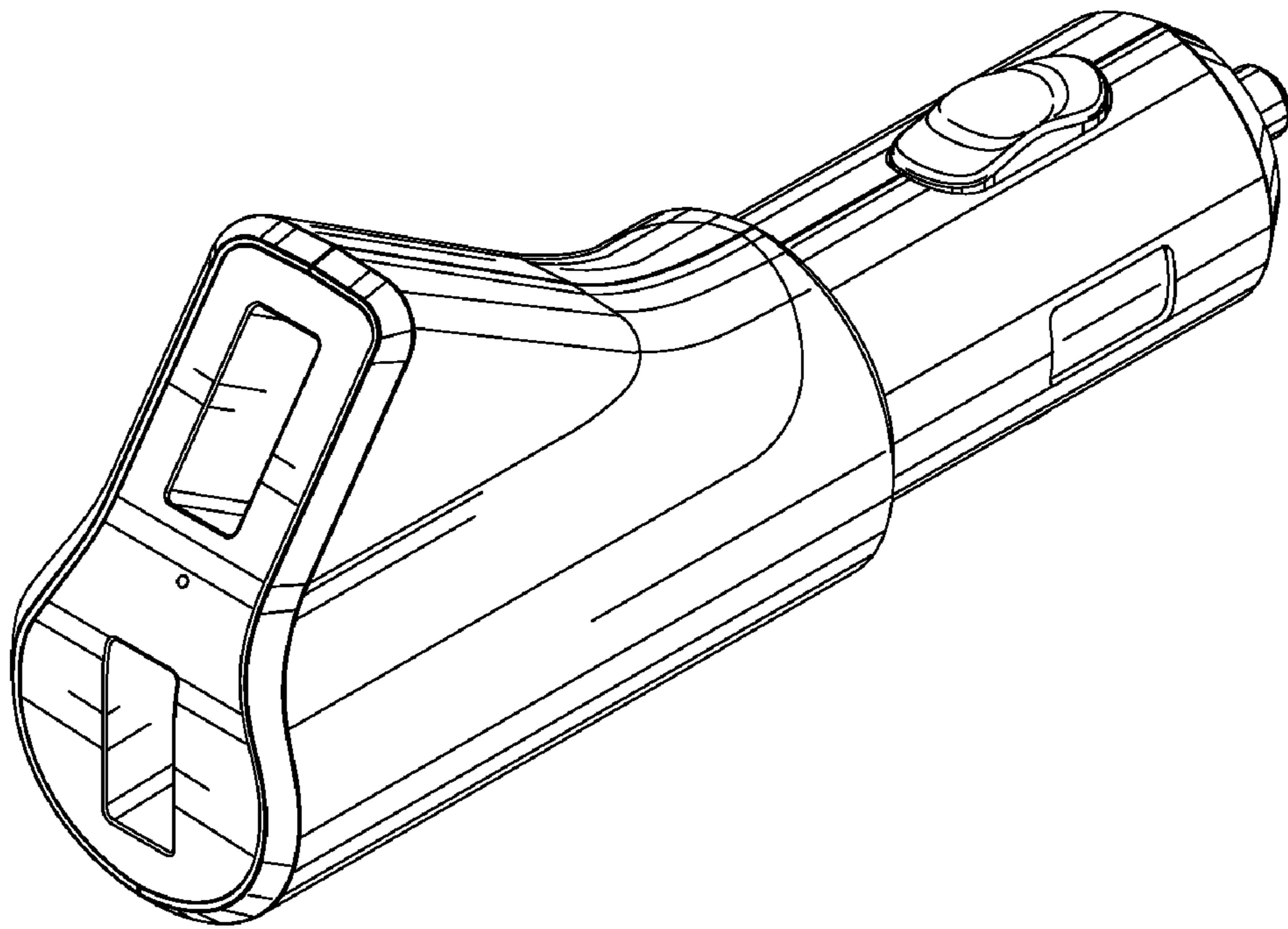


FIG. 8

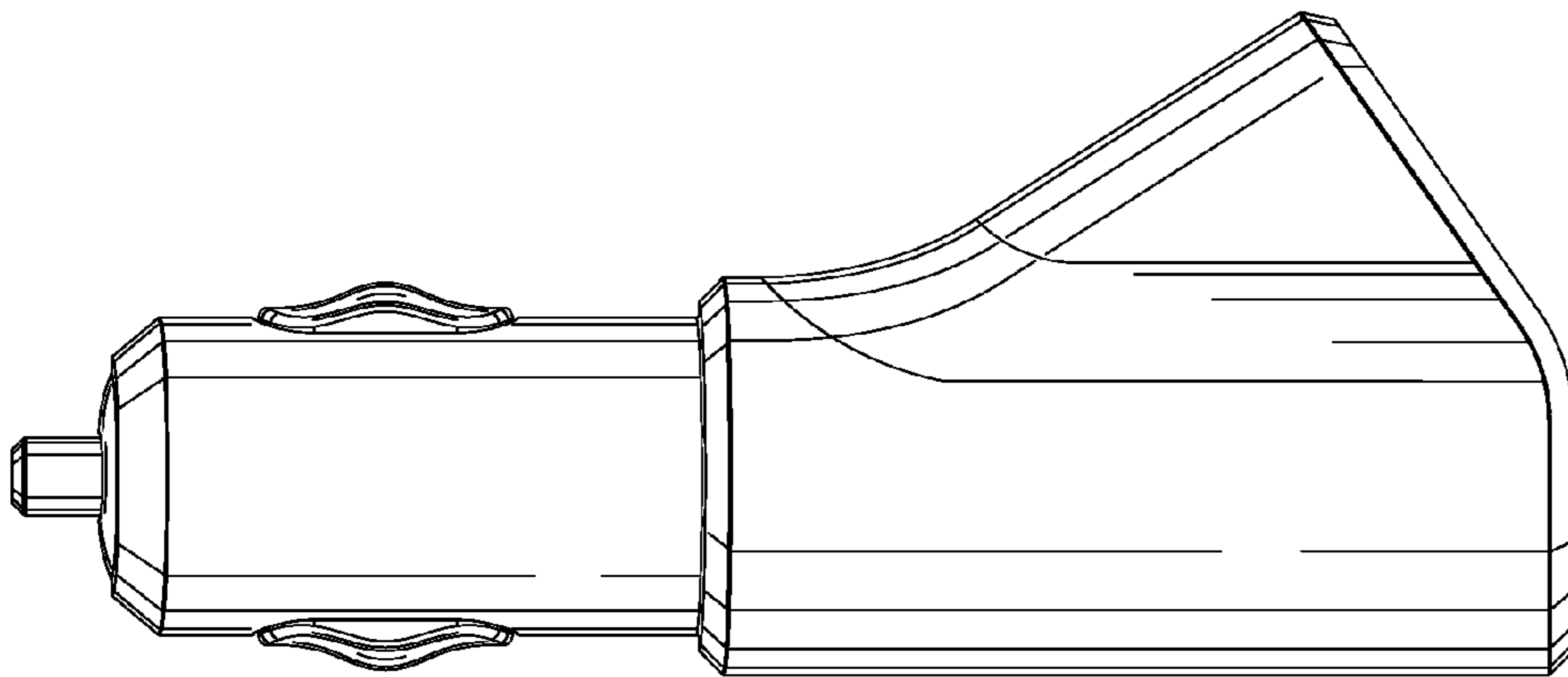


FIG. 9

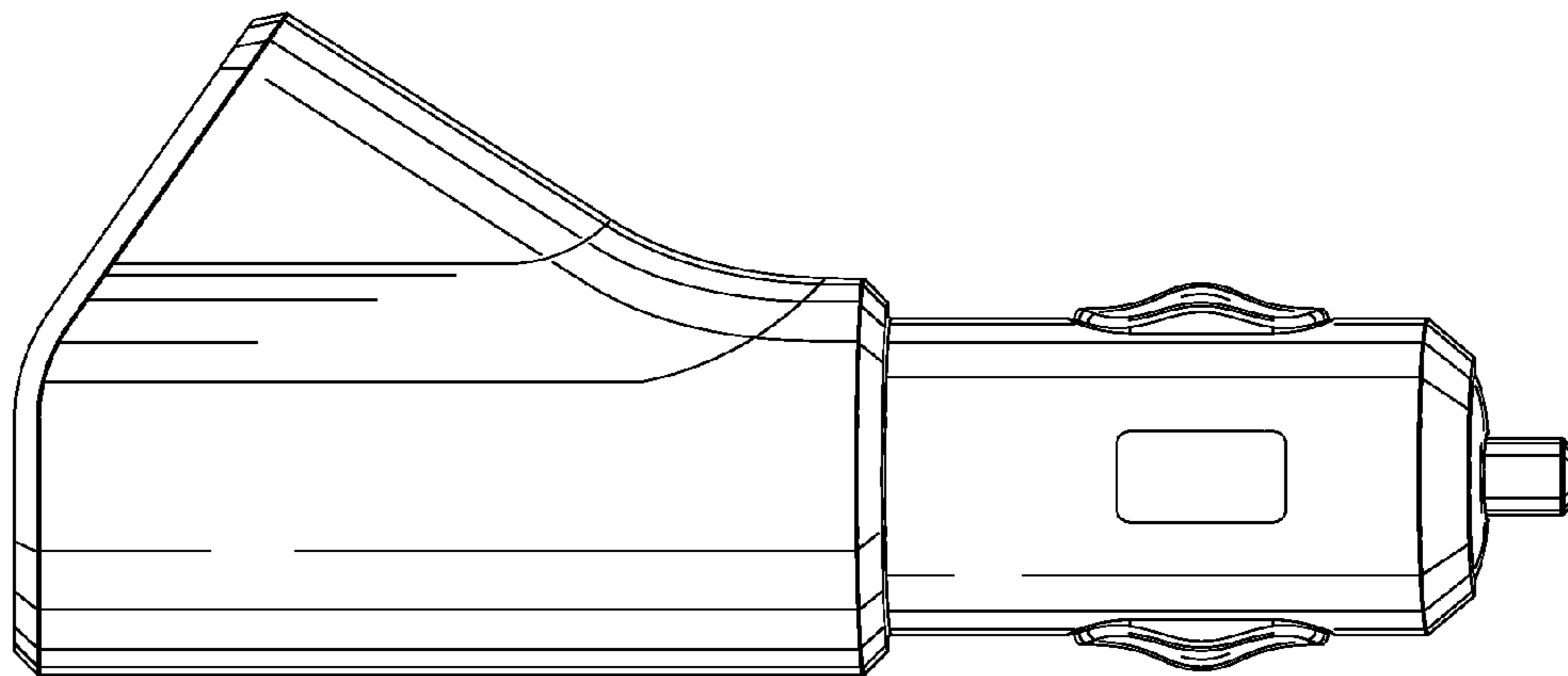


FIG. 10

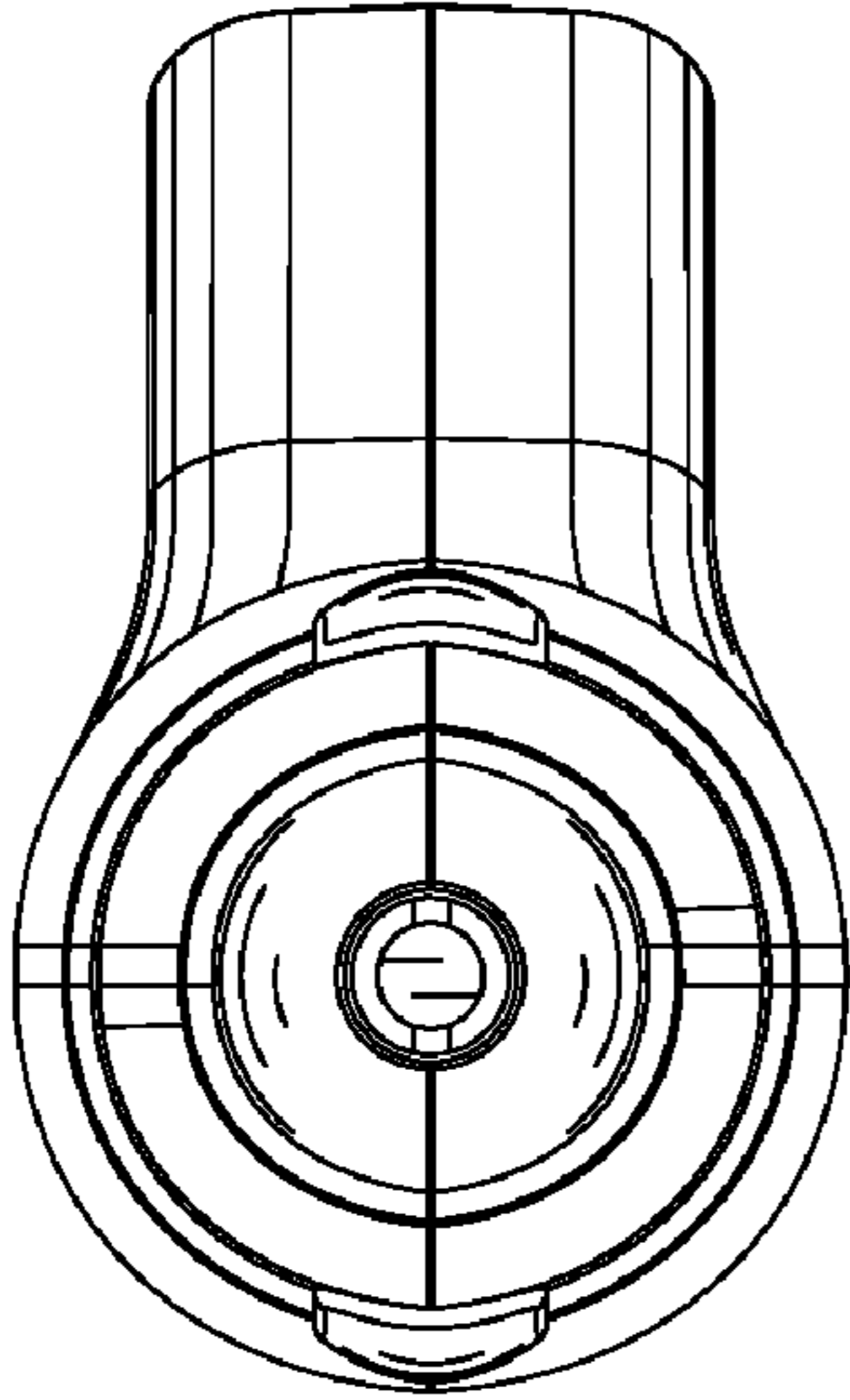


FIG. 11

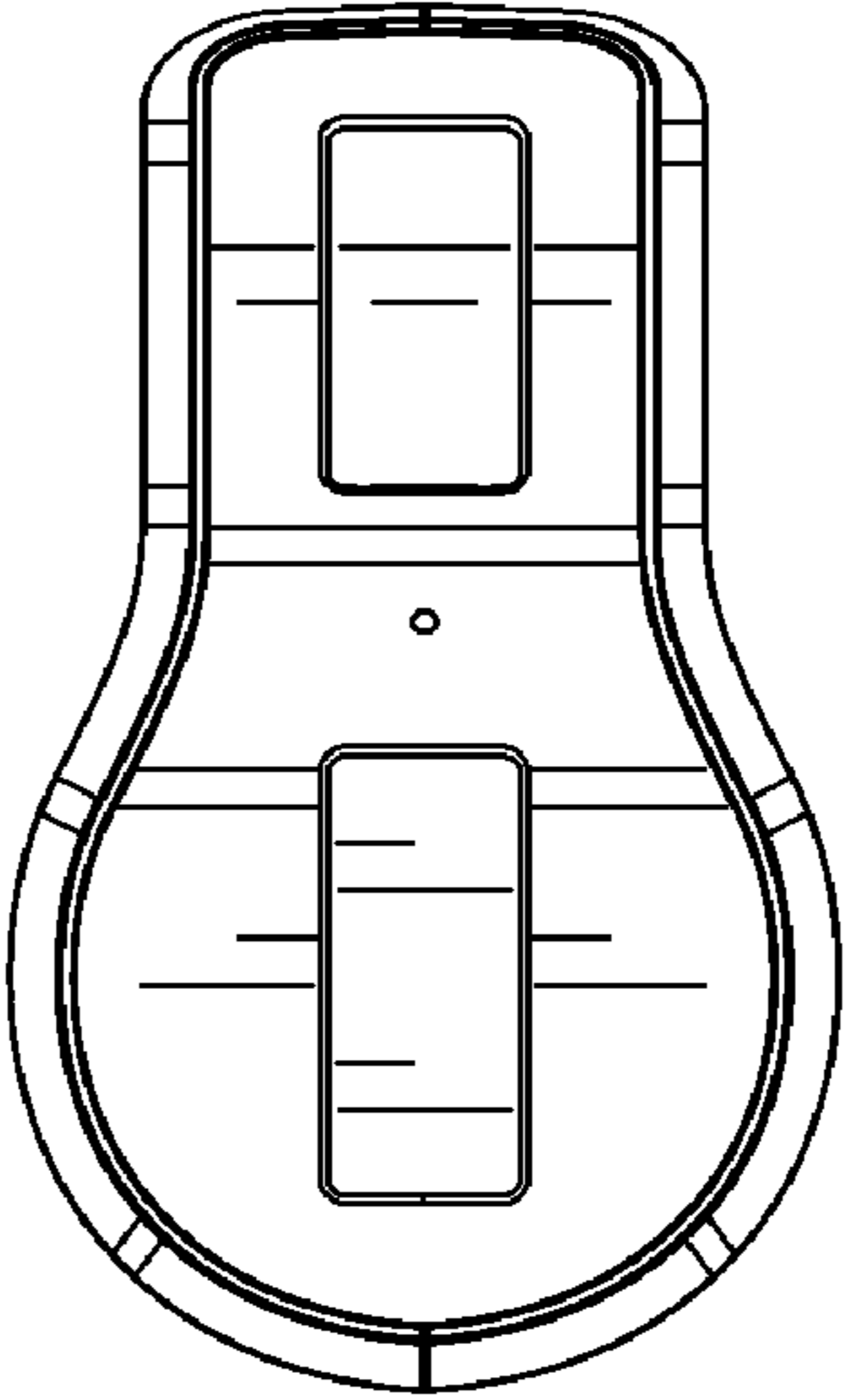


FIG. 12



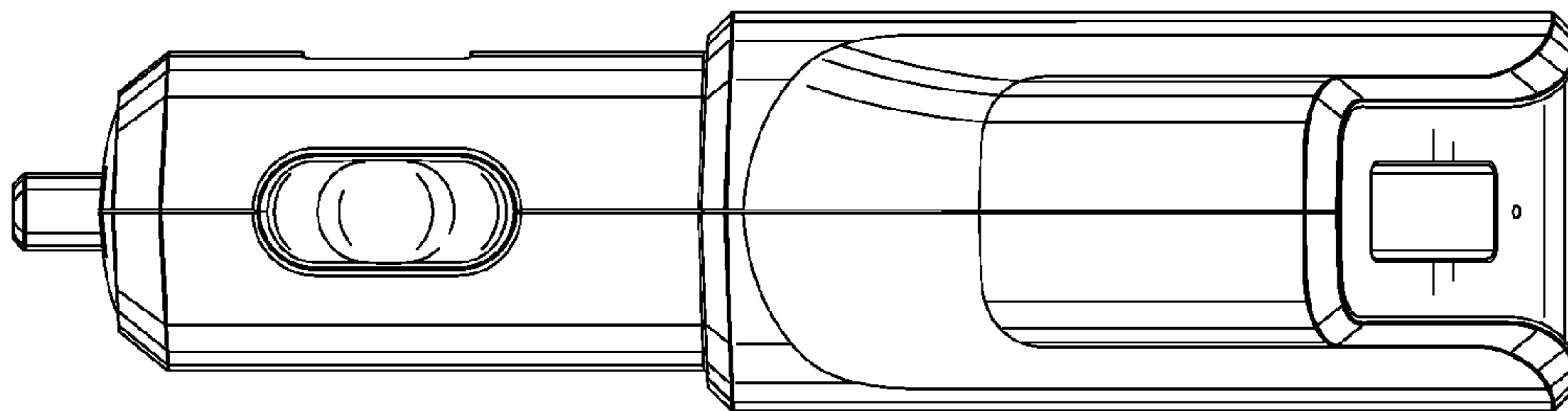


FIG. 13

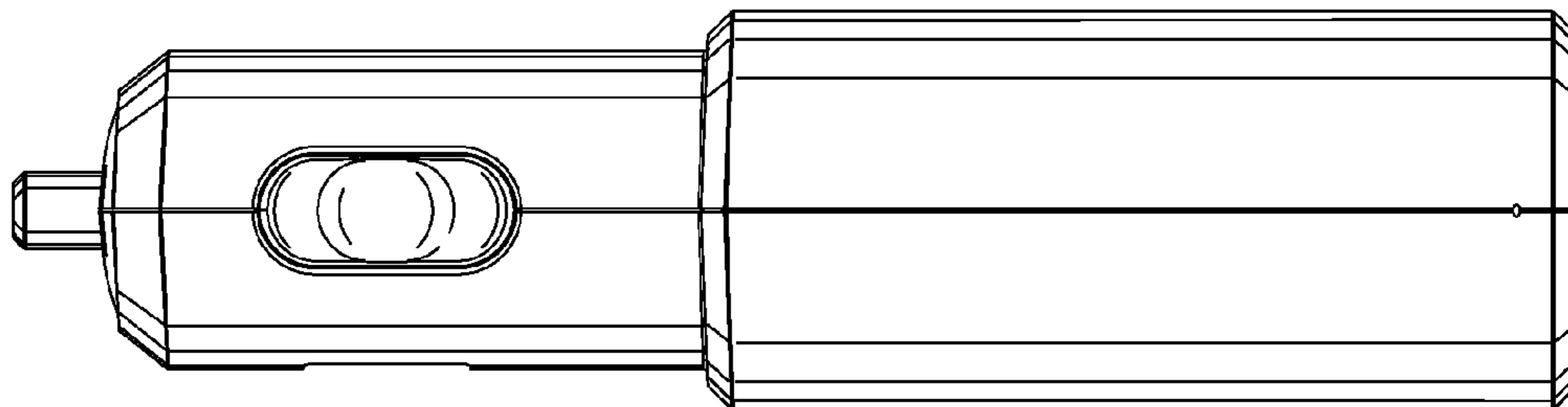


FIG. 14