



US00D632650S

(12) **United States Design Patent**  
**Rashid et al.**

(10) **Patent No.:** **US D632,650 S**

(45) **Date of Patent:** **\*\* Feb. 15, 2011**

(54) **POWER ADAPTOR**

(75) Inventors: **Osman Rashid**, Fremont, CA (US);  
**Babur Habib**, San Francisco, CA (US);  
**David M. Straus**, Los Altos, CA (US);  
**Philip J. Houdek, II**, San Jose, CA  
(US); **Michelle Yu**, Oakland, CA (US);  
**Gadi Amit**, San Mateo, CA (US);  
**Yoshikazu Hoshino**, San Francisco, CA  
(US); **Julien Rouillac**, San Francisco,  
CA (US); **Barbara A. Stettler**, Oakland,  
CA (US)

(73) Assignee: **Kno, Inc.**, Santa Clara, CA (US)

(\*\*) Term: **14 Years**

(21) Appl. No.: **29/362,893**

(22) Filed: **Jun. 1, 2010**

(51) **LOC (9) Cl.** ..... **13-02**

(52) **U.S. Cl.** ..... **D13/110**

(58) **Field of Classification Search** ..... D13/110,  
D13/108, 123, 133, 137.1, 199; 174/53,  
174/54, 57, 59, 61; 307/150, 151; 320/111,  
320/114; 439/105, 166, 171-173, 218, 518,  
439/692, 956

See application file for complete search history.

(56) **References Cited**

**U.S. PATENT DOCUMENTS**

D338,188 S \* 8/1993 Lee et al. .... D13/110

D363,269 S \* 10/1995 Riley et al. .... D13/133  
5,973,948 A \* 10/1999 Hahn et al. .... 363/146  
6,086,395 A \* 7/2000 Lloyd et al. .... 439/172  
D449,030 S \* 10/2001 Baxter et al. .... D13/110  
D456,008 S \* 4/2002 Kawanobe et al. .... D13/110  
D467,592 S \* 12/2002 Hussaini et al. .... D14/496  
D553,078 S \* 10/2007 So ..... D13/110  
D562,766 S \* 2/2008 Yang ..... D13/110

\* cited by examiner

*Primary Examiner*—Prabhakar Deshmukh

*Assistant Examiner*—Derrick Holland

(74) *Attorney, Agent, or Firm*—Cooley LLP

(57) **CLAIM**

The ornamental design for a power adaptor, as shown and described.

**DESCRIPTION**

FIG. 1 is a perspective view of a power adaptor showing our new design;

FIG. 2 is a front elevation view thereof;

FIG. 3 is a rear elevation view thereof;

FIG. 4 is a left side view thereof;

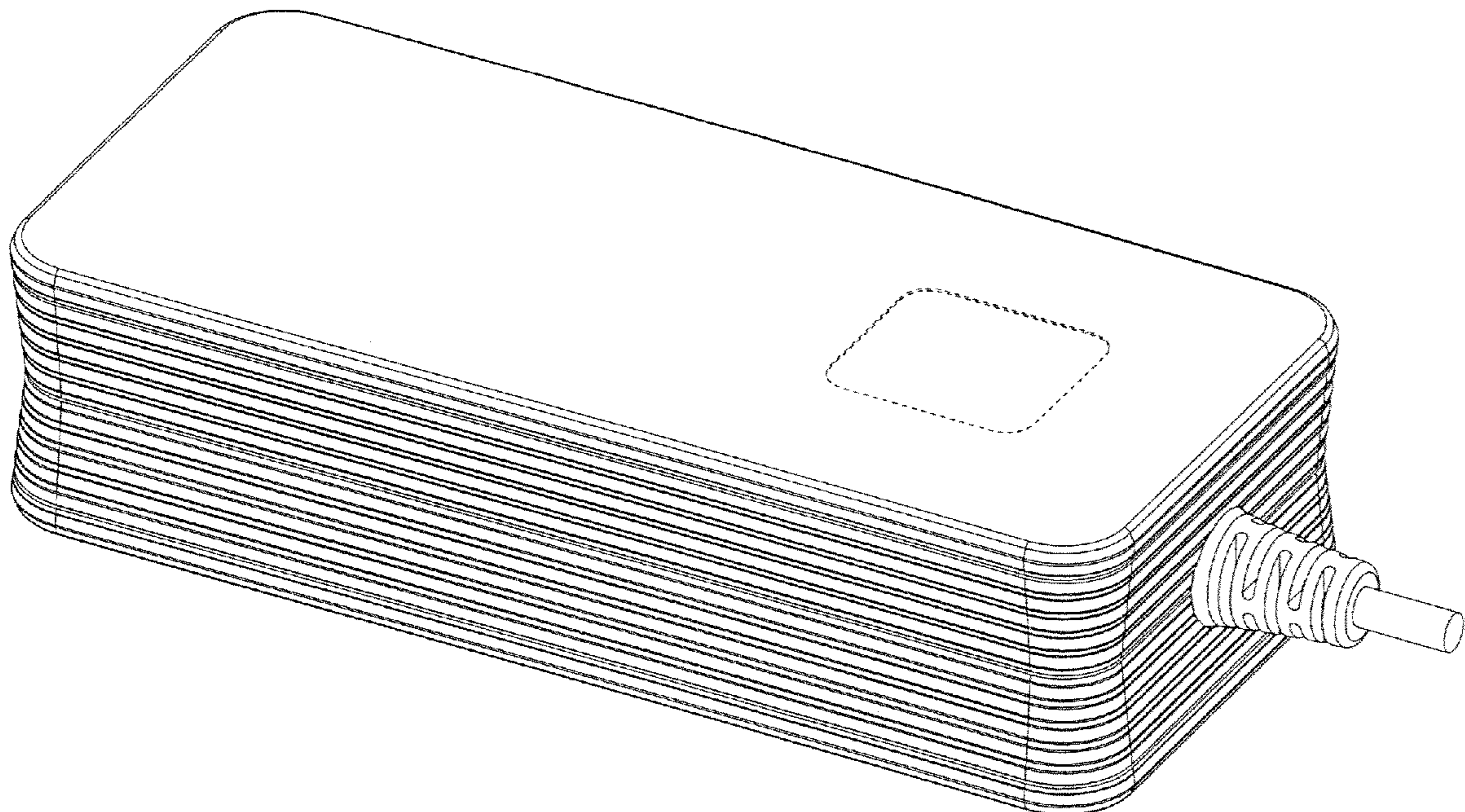
FIG. 5 is a top plan view thereof;

FIG. 6 is a bottom plan view thereof; and,

FIG. 7 is a right side view thereof.

The broken lines shown represent unclaimed subject matter and form no part of the claimed design.

**1 Claim, 7 Drawing Sheets**



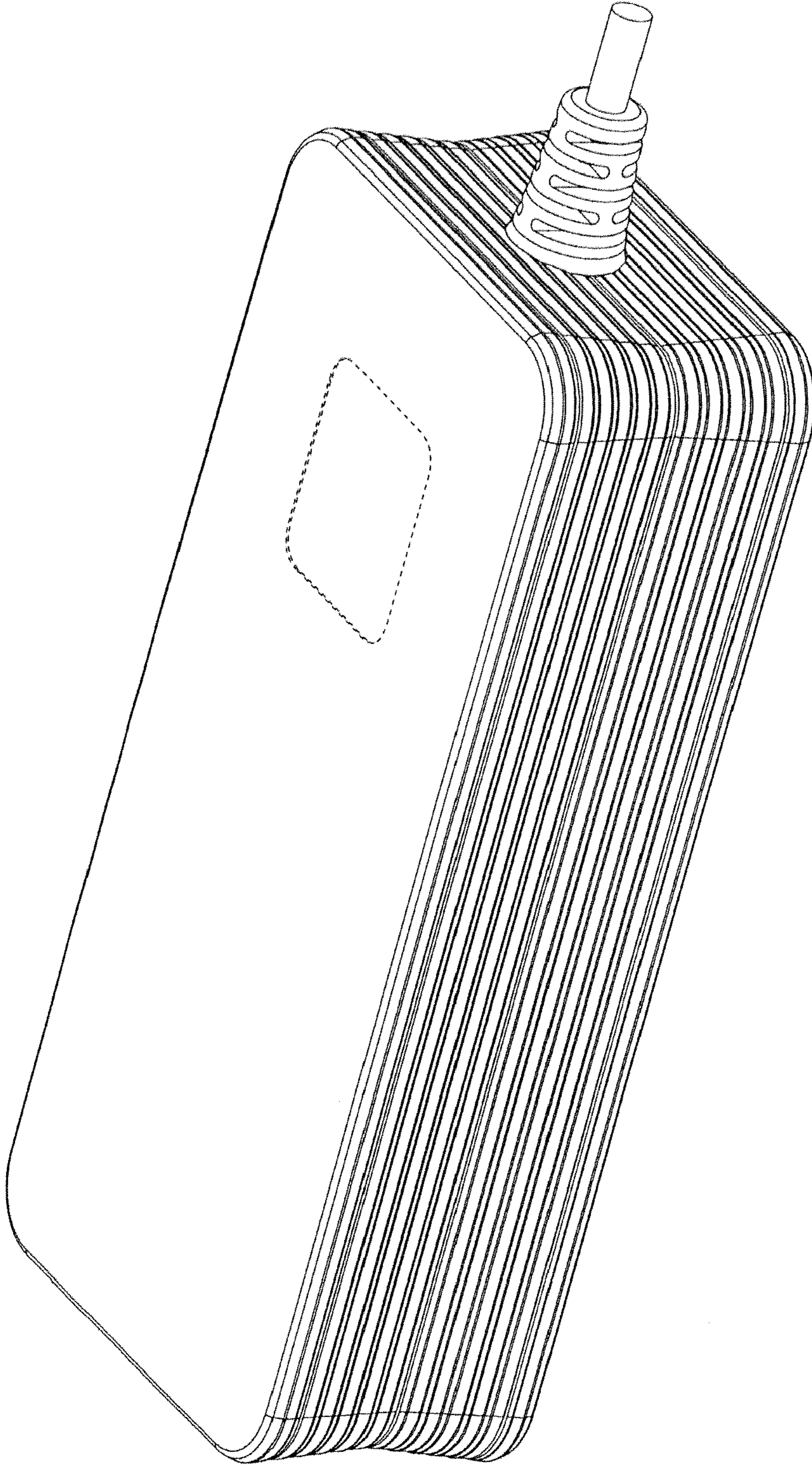


FIG. 1

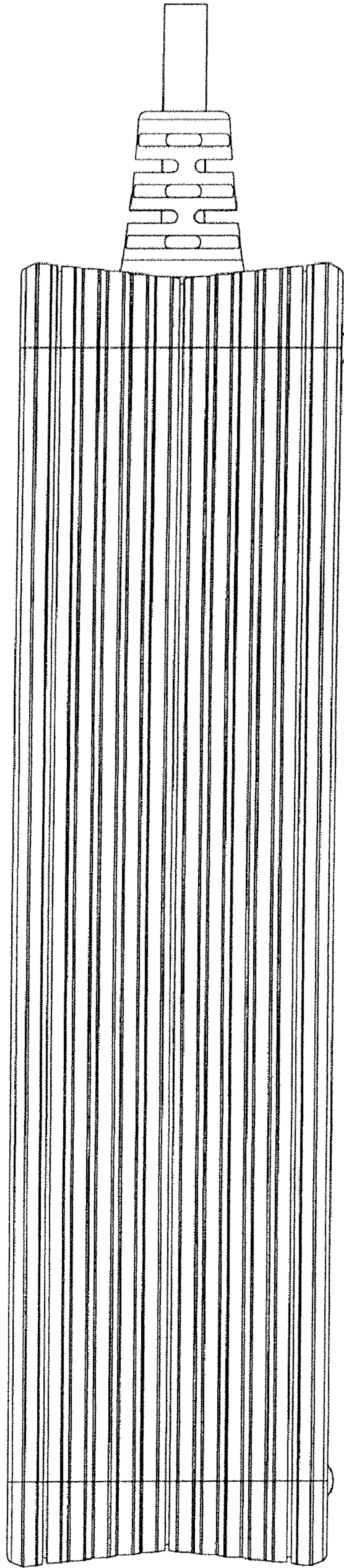


FIG. 2

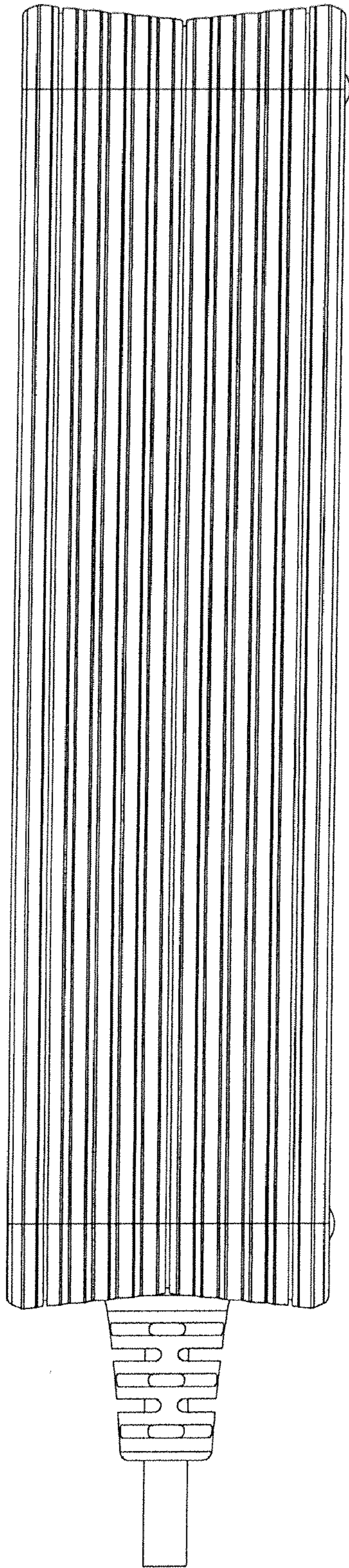


FIG. 3

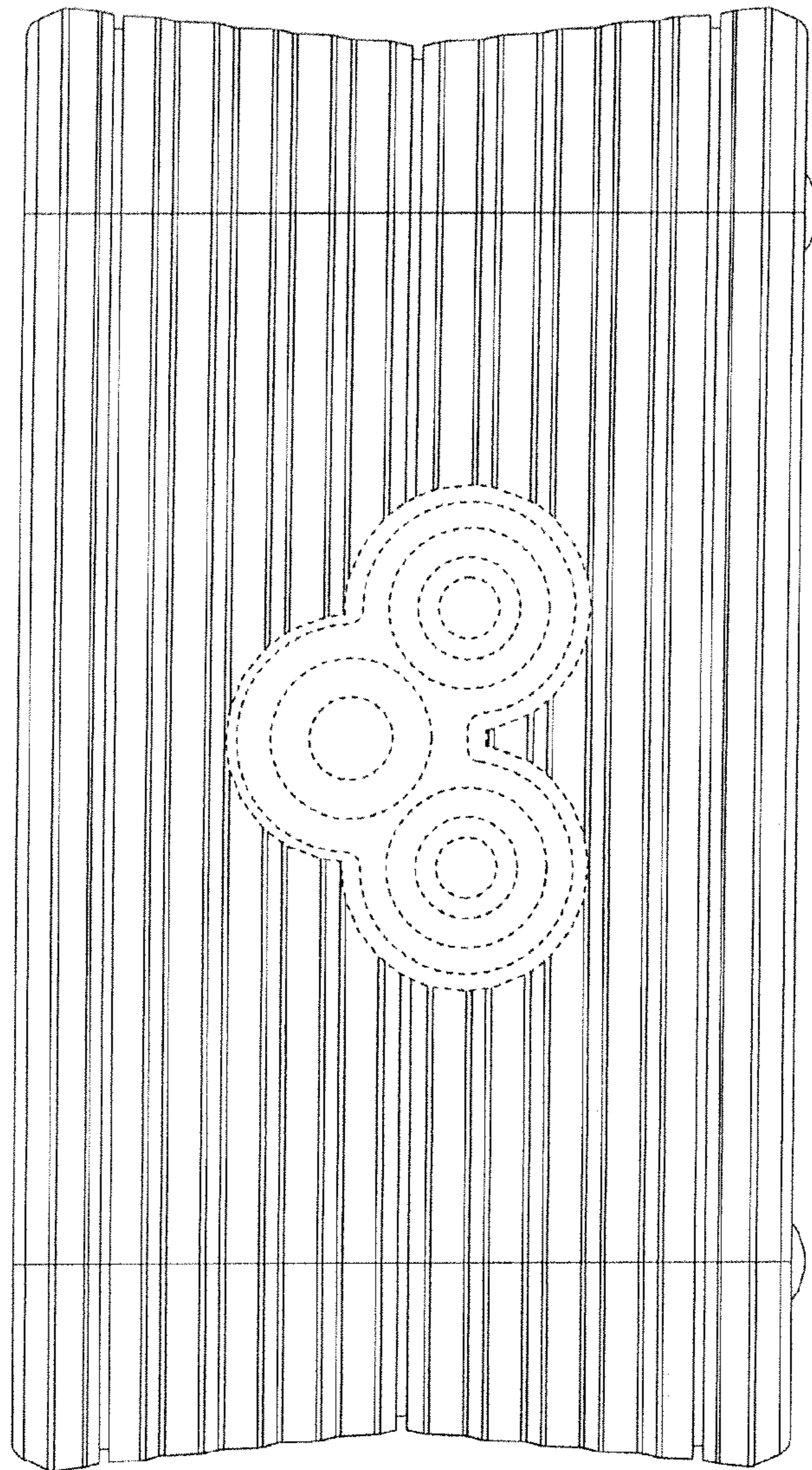


FIG. 4

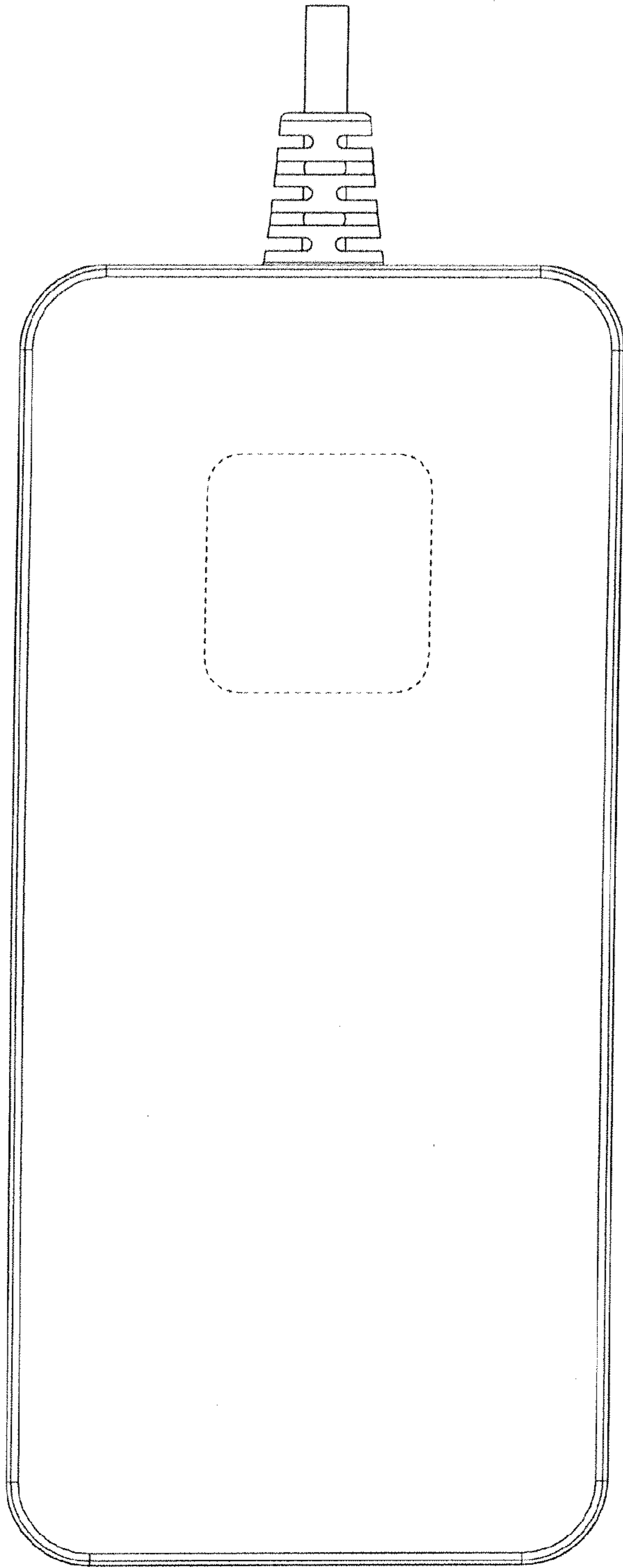


FIG. 5

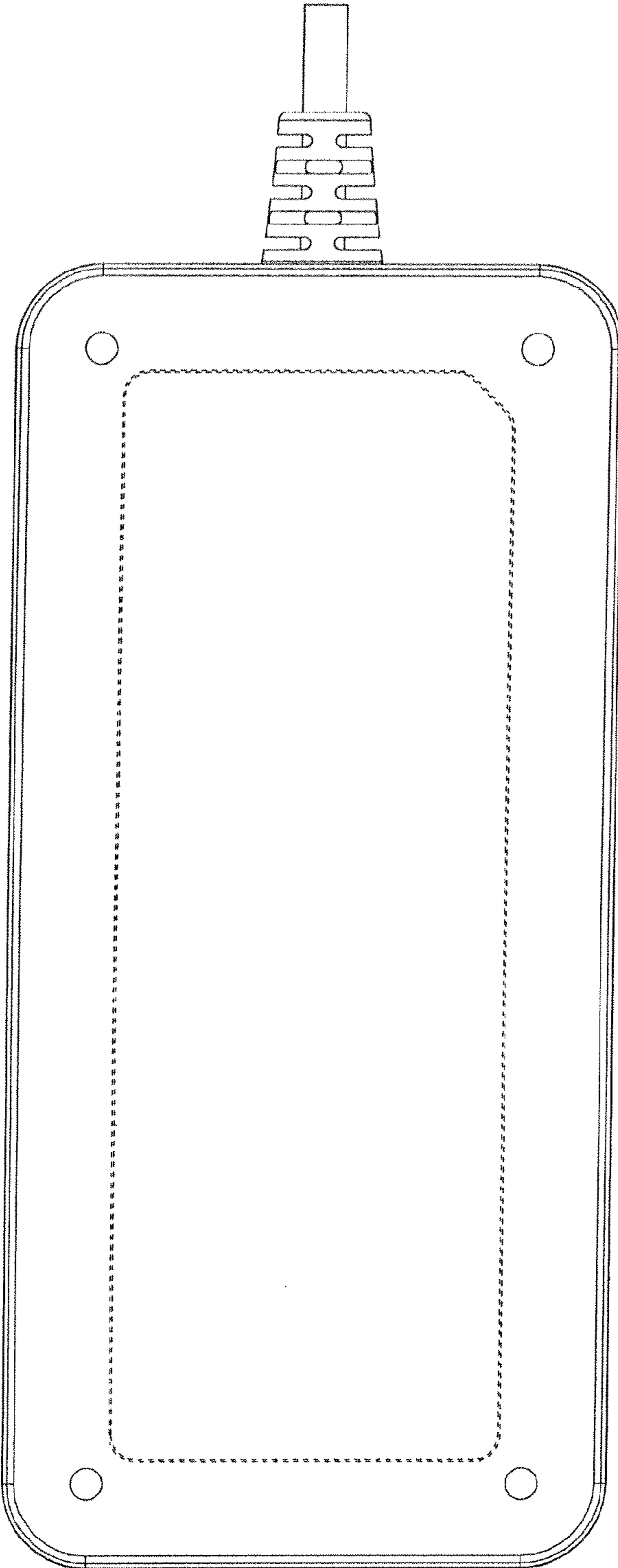


FIG. 6

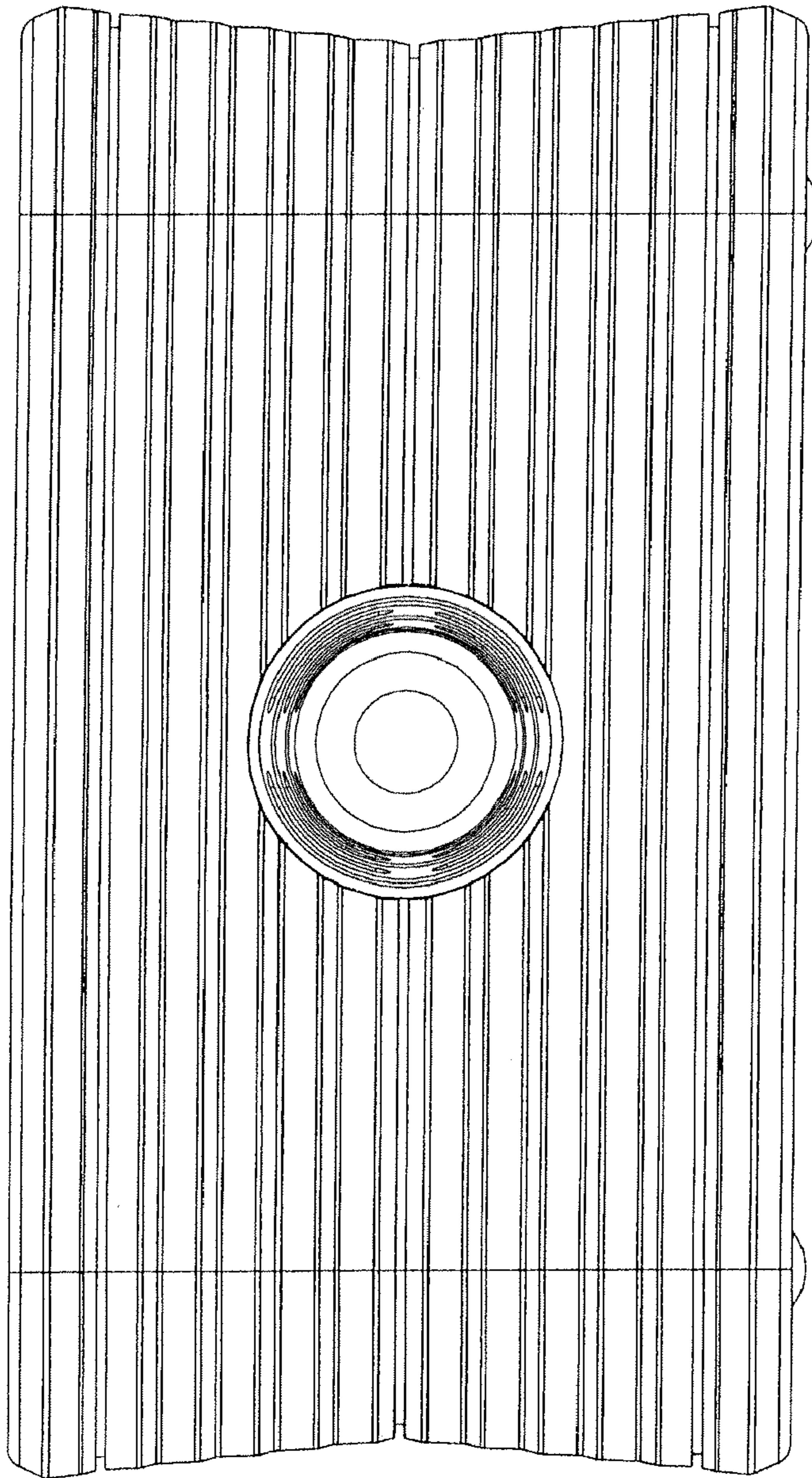


FIG. 7