



US00D632646S

(12) **United States Design Patent**
Fitch et al.

(10) **Patent No.:** **US D632,646 S**

(45) **Date of Patent:** **** Feb. 15, 2011**

(54) **CHARGER**

(75) Inventors: **Jonathan A Fitch**, Syracuse, NY (US);
Ronald J Kingston, Syracuse, NY (US)

(73) Assignee: **Eveready Battery Company, Inc.**, St.
Louis, MO (US)

(**) Term: **14 Years**

(21) Appl. No.: **29/368,020**

(22) Filed: **Aug. 17, 2010**

(51) **LOC (9) Cl.** **13-02**

(52) **U.S. Cl.** **D13/107**

(58) **Field of Classification Search** D13/107–110,
D13/118–119, 184, 199; D14/251, 253,
D14/432, 434; 320/107–115

See application file for complete search history.

(56) **References Cited**

U.S. PATENT DOCUMENTS

D357,224 S *	4/1995	Nagele et al.	D13/107
D456,004 S *	4/2002	Lie	D13/107
D463,360 S *	9/2002	Lie	D13/107
D465,452 S *	11/2002	Lie	D13/107
D466,075 S *	11/2002	Lie	D13/107
D515,501 S *	2/2006	Kawasaki	D13/107
D519,447 S *	4/2006	Lie	D13/107
D526,271 S *	8/2006	Lie	D13/107
D546,281 S *	7/2007	Bell	D13/107

D571,722 S *	6/2008	Kang et al.	D13/107
D573,088 S *	7/2008	Castellucci et al.	D13/107
D587,190 S *	2/2009	Hine et al.	D13/107
D598,845 S *	8/2009	Kingston et al.	D13/107
D599,287 S *	9/2009	Kingston et al.	D13/107
D623,129 S *	9/2010	Kawakami et al.	D13/107
D623,130 S *	9/2010	Kawakami et al.	D13/107

* cited by examiner

Primary Examiner—Rosemary K Tarcza

(74) *Attorney, Agent, or Firm*—Gregory J. Adams

(57) **CLAIM**

We claim the ornamental design for a charger, as shown and described.

DESCRIPTION

FIG. 1 is a front perspective view of the charger.

FIG. 2 is a bottom perspective view of the charger.

FIG. 3 is a top view of the charger.

FIG. 4 is a bottom view of the charger.

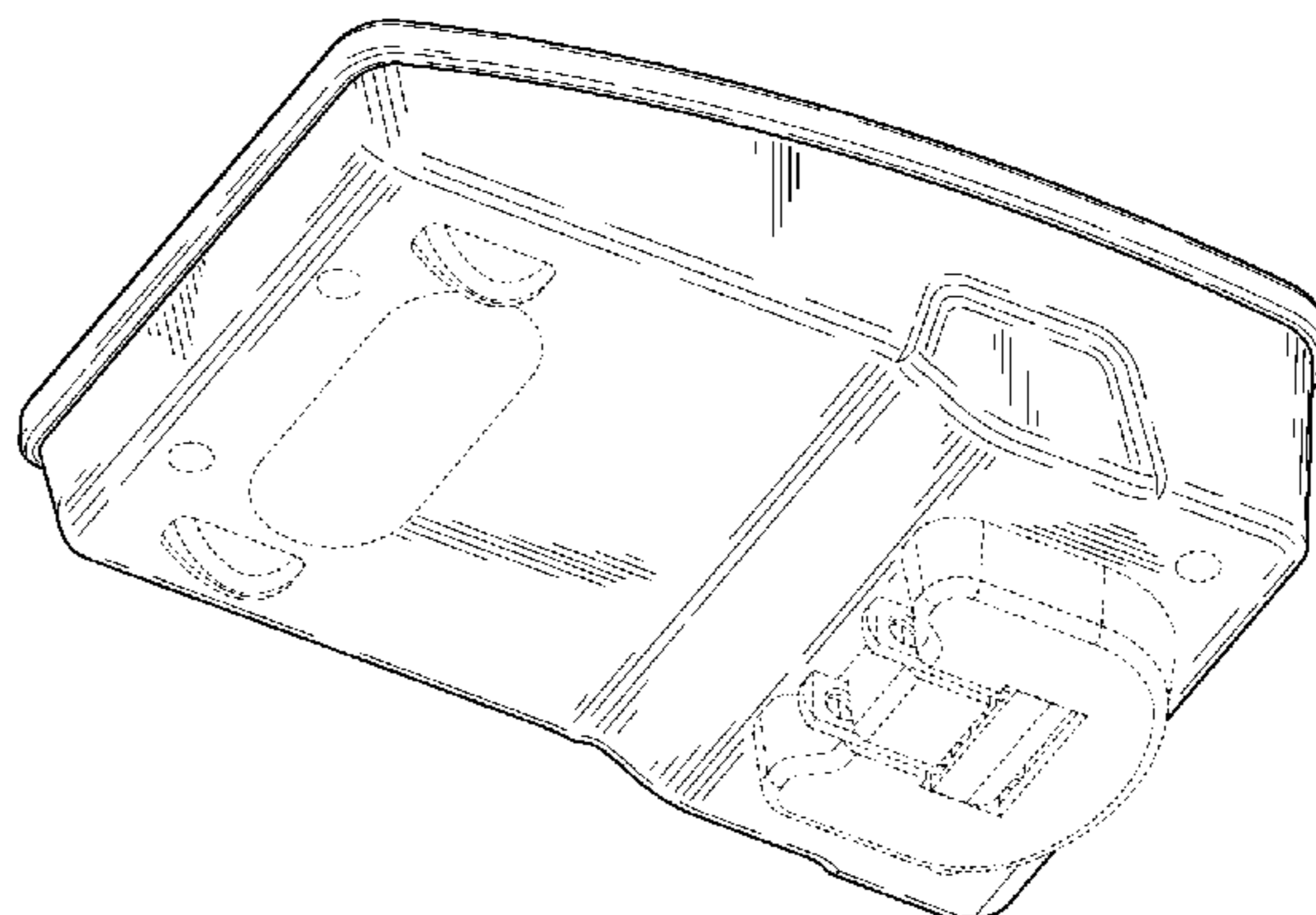
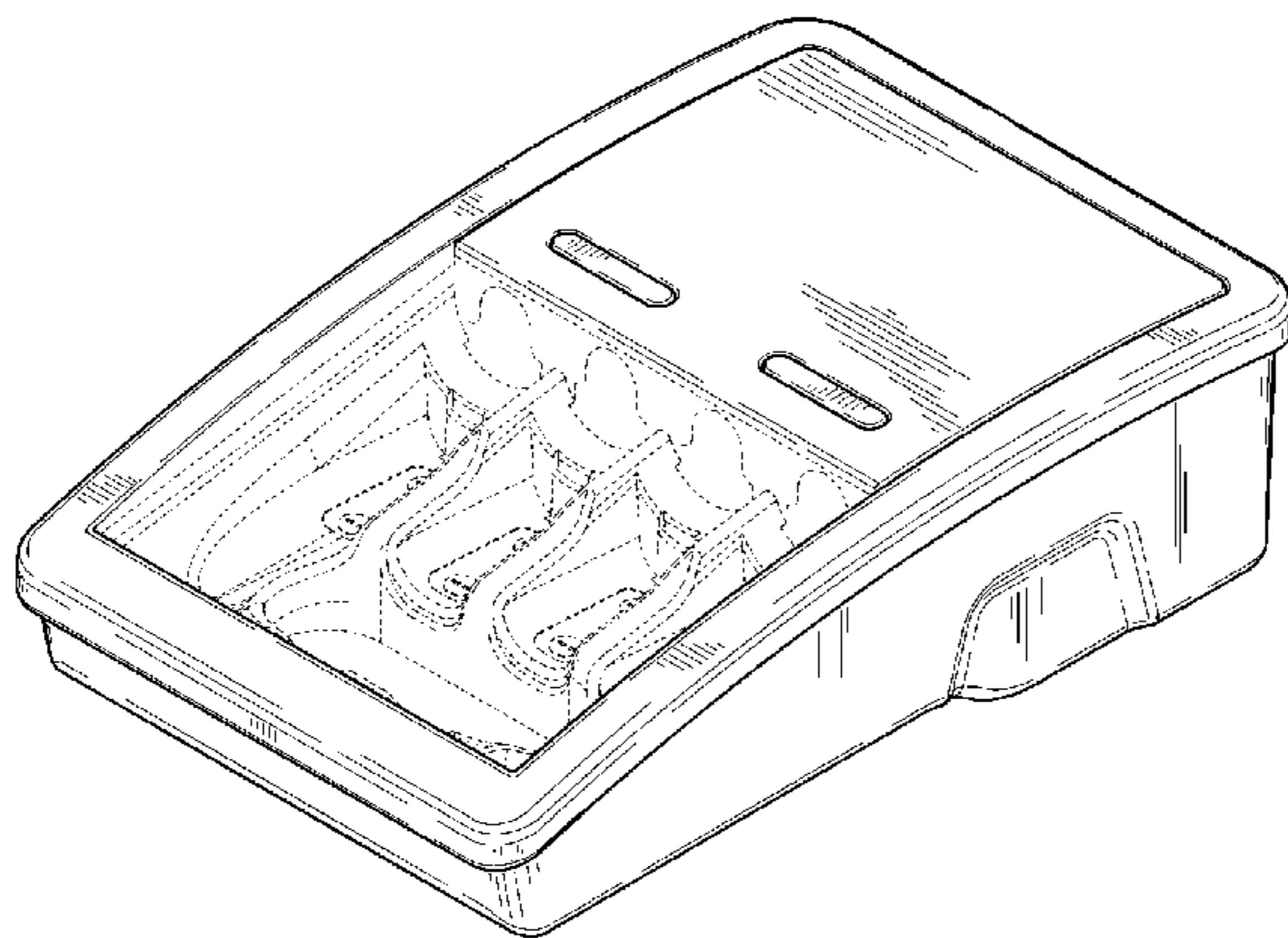
FIG. 5 is a front view of the charger.

FIG. 6 is a rear view of the charger; and,

FIG. 7 is a right side view of the charger. The right side view of the charger is a mirror image of the left side view.

Any broken line(s) shown are for illustrative purposes only and form no part of the claimed design.

1 Claim, 3 Drawing Sheets



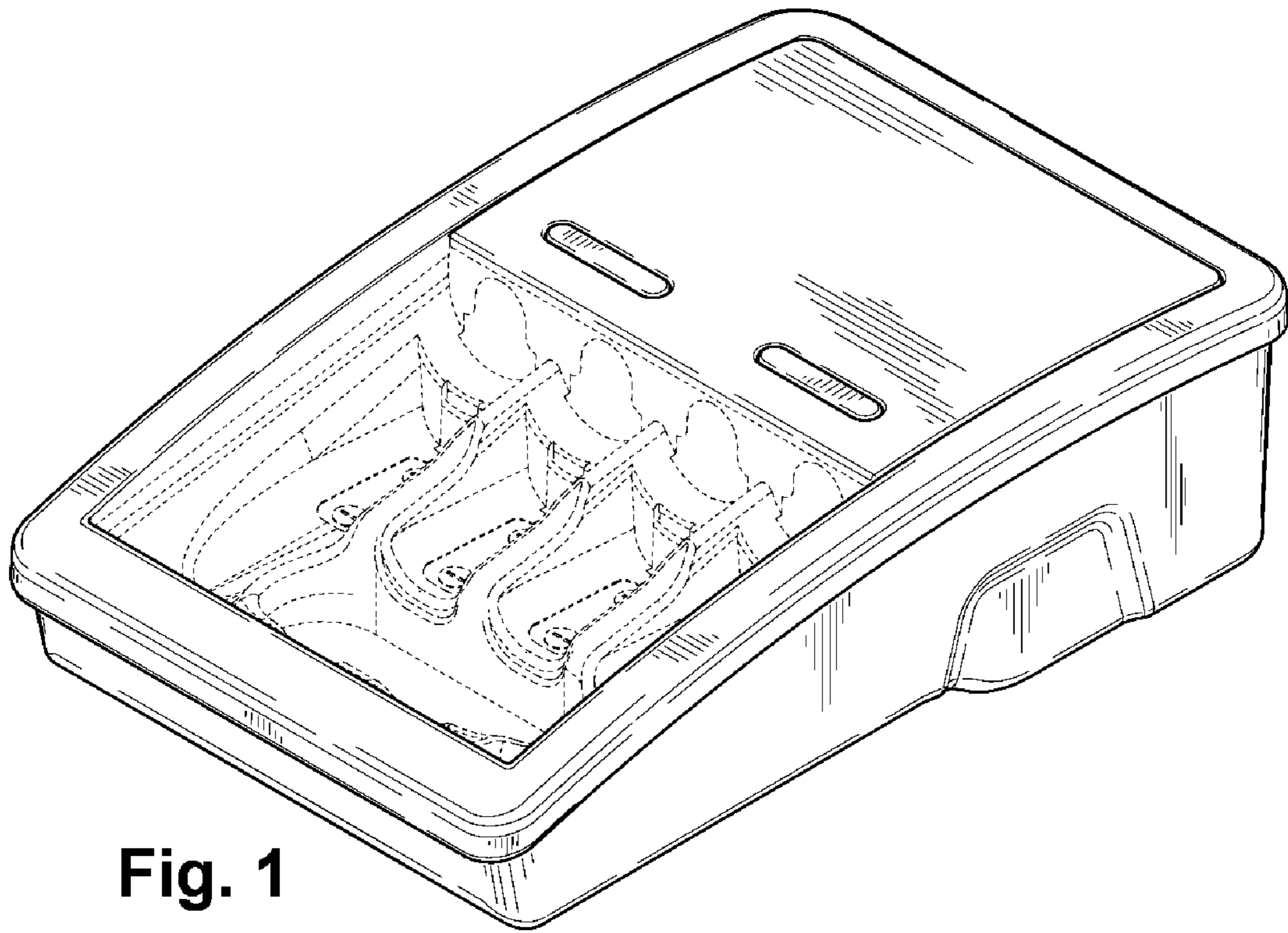


Fig. 1

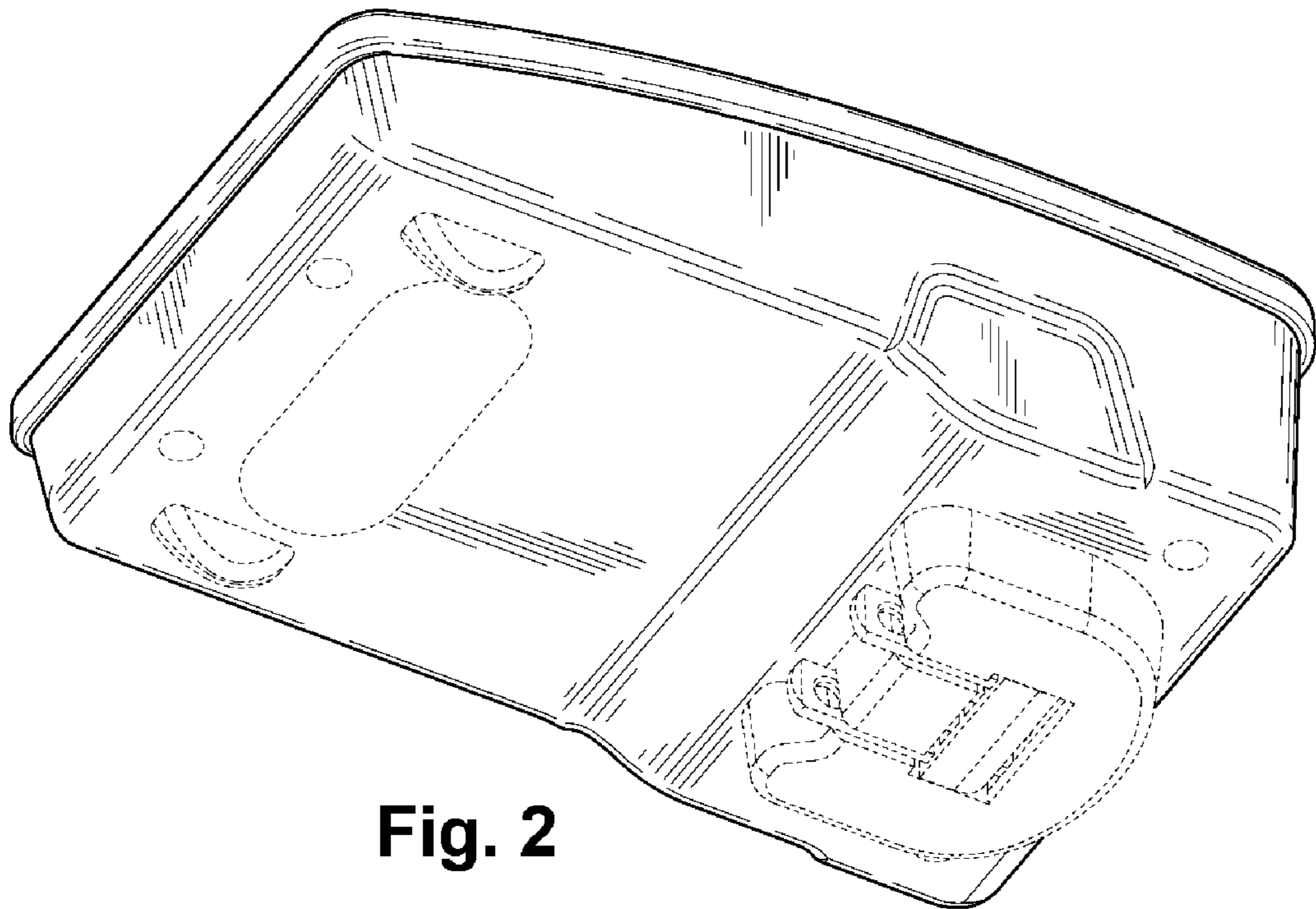


Fig. 2

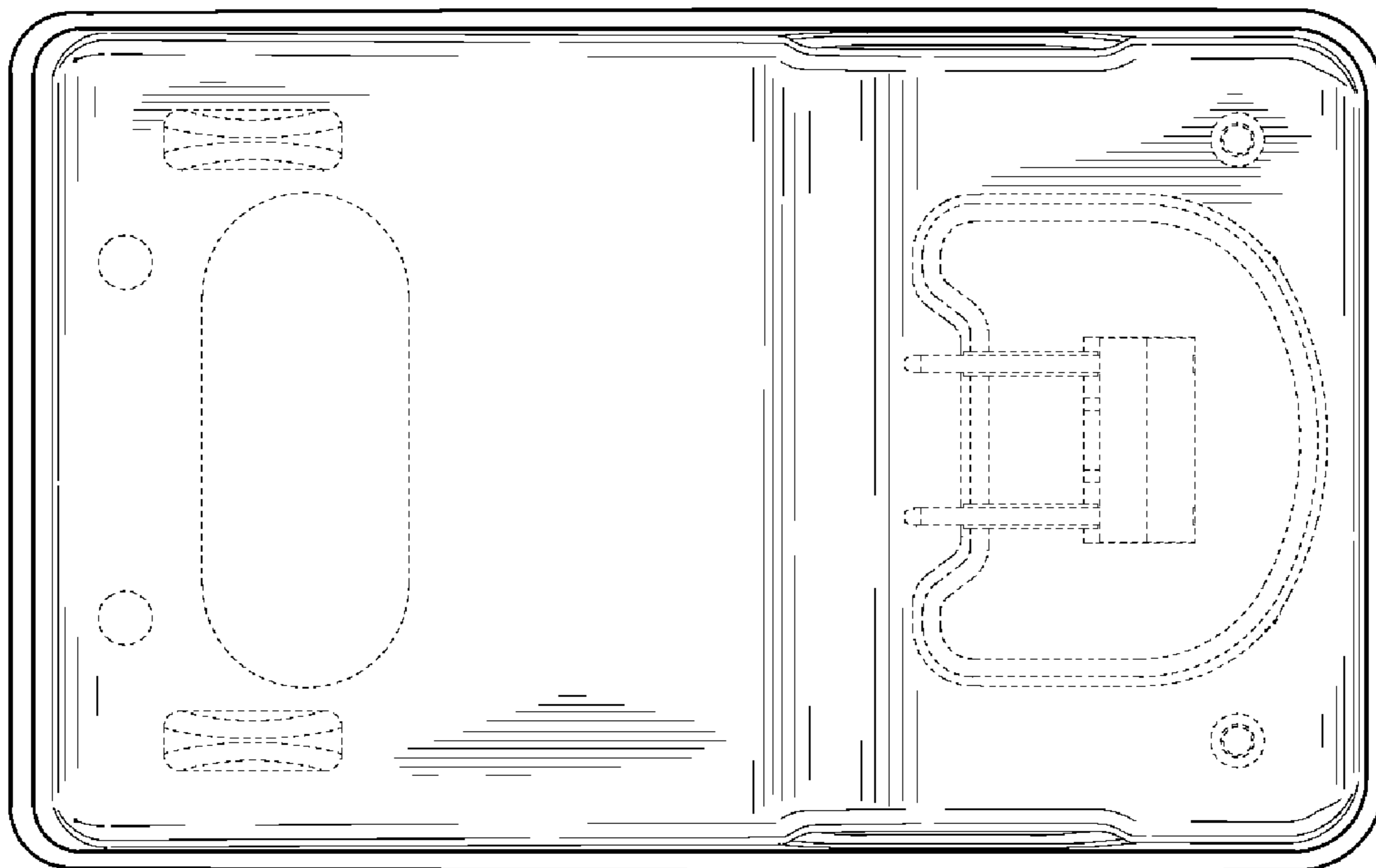


Fig. 4

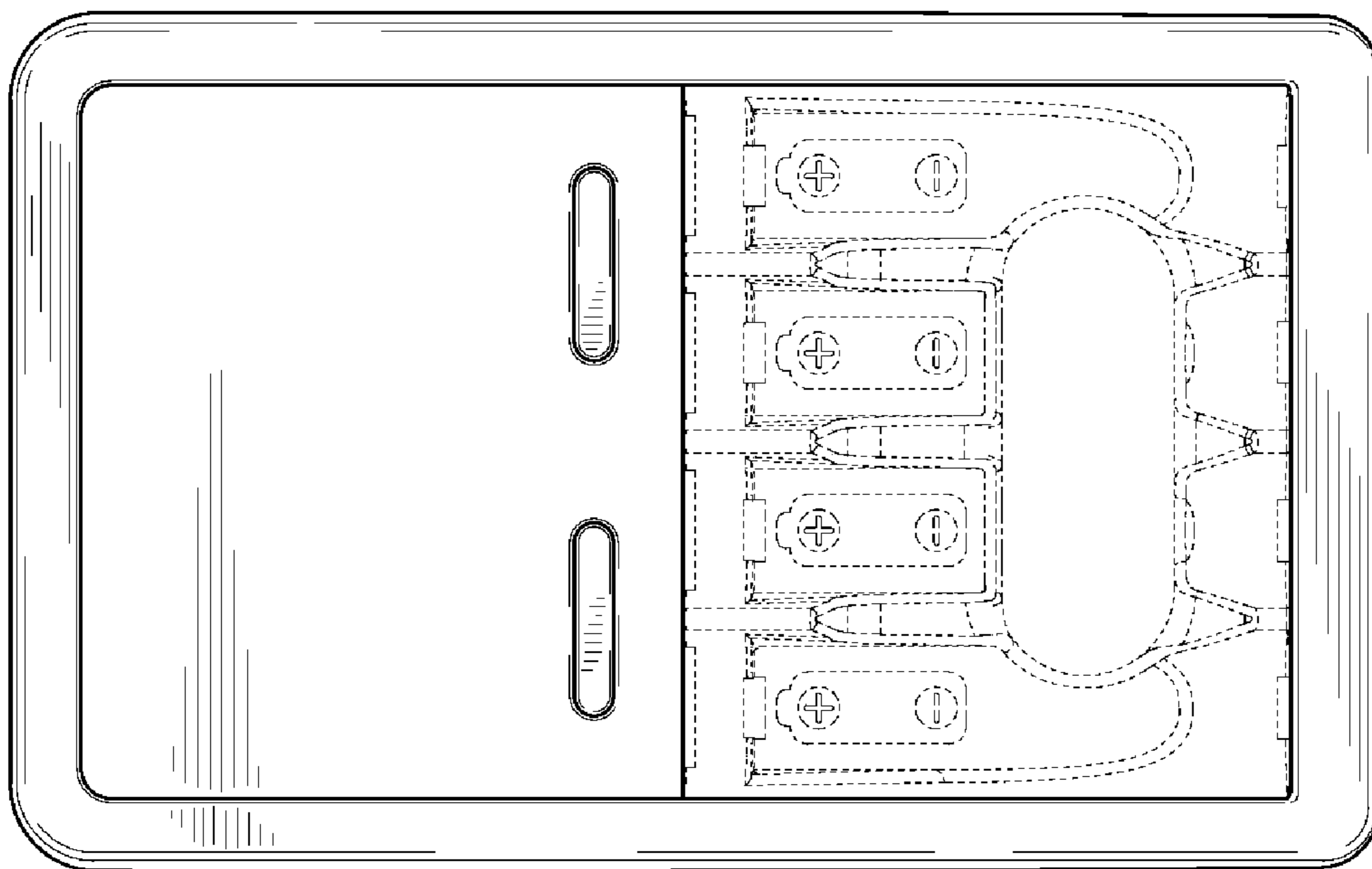


Fig. 3

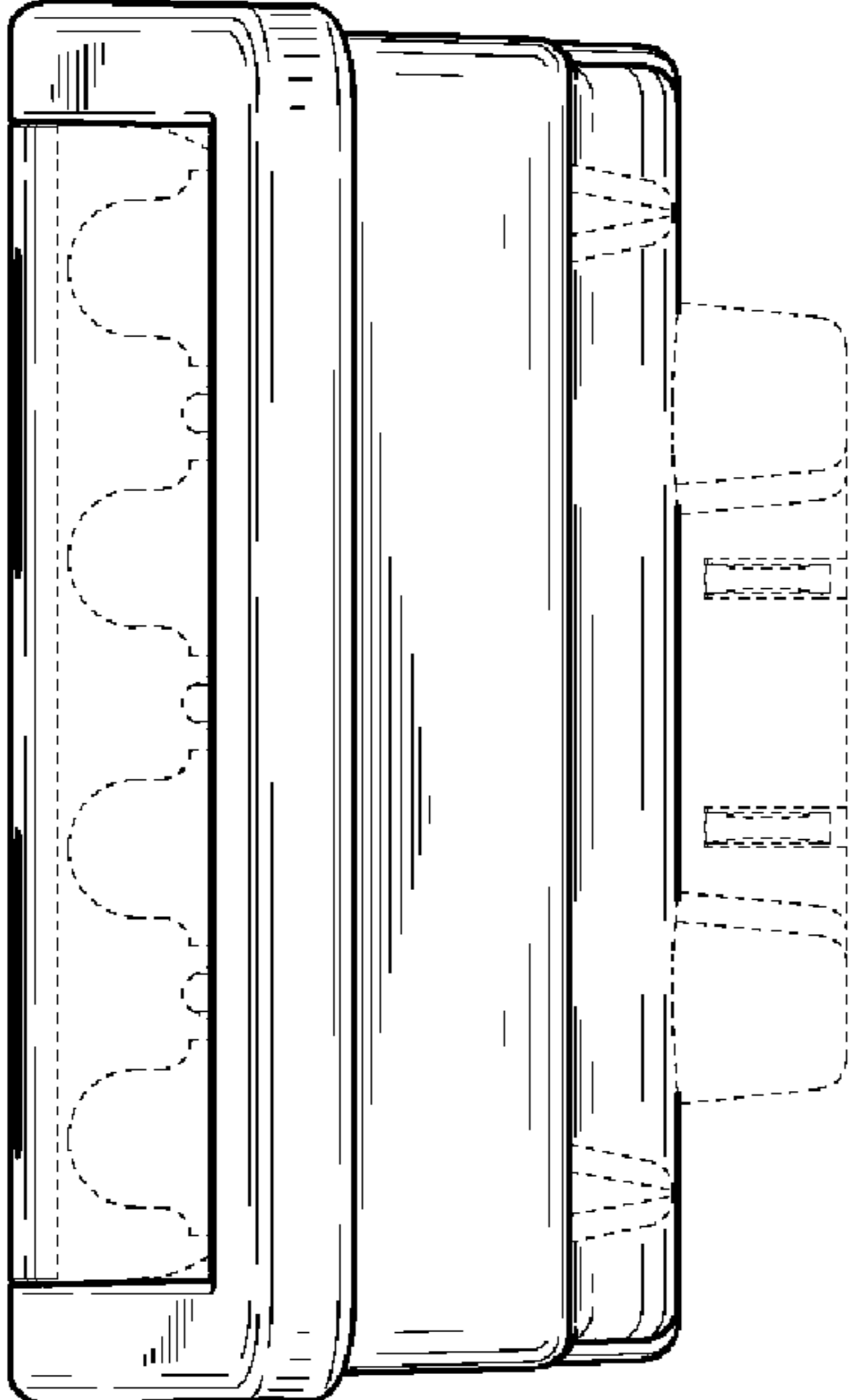


Fig. 5

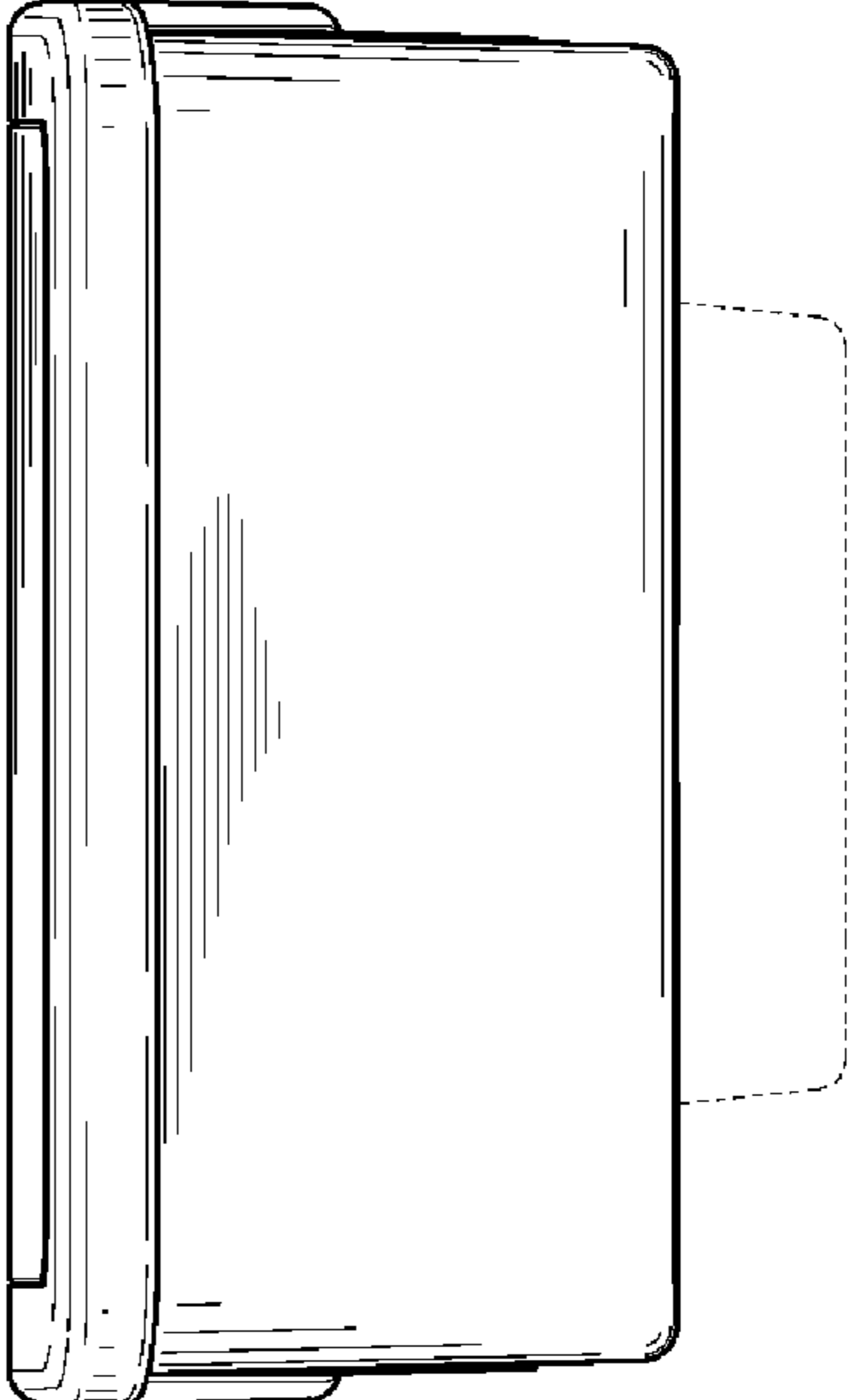


Fig. 6

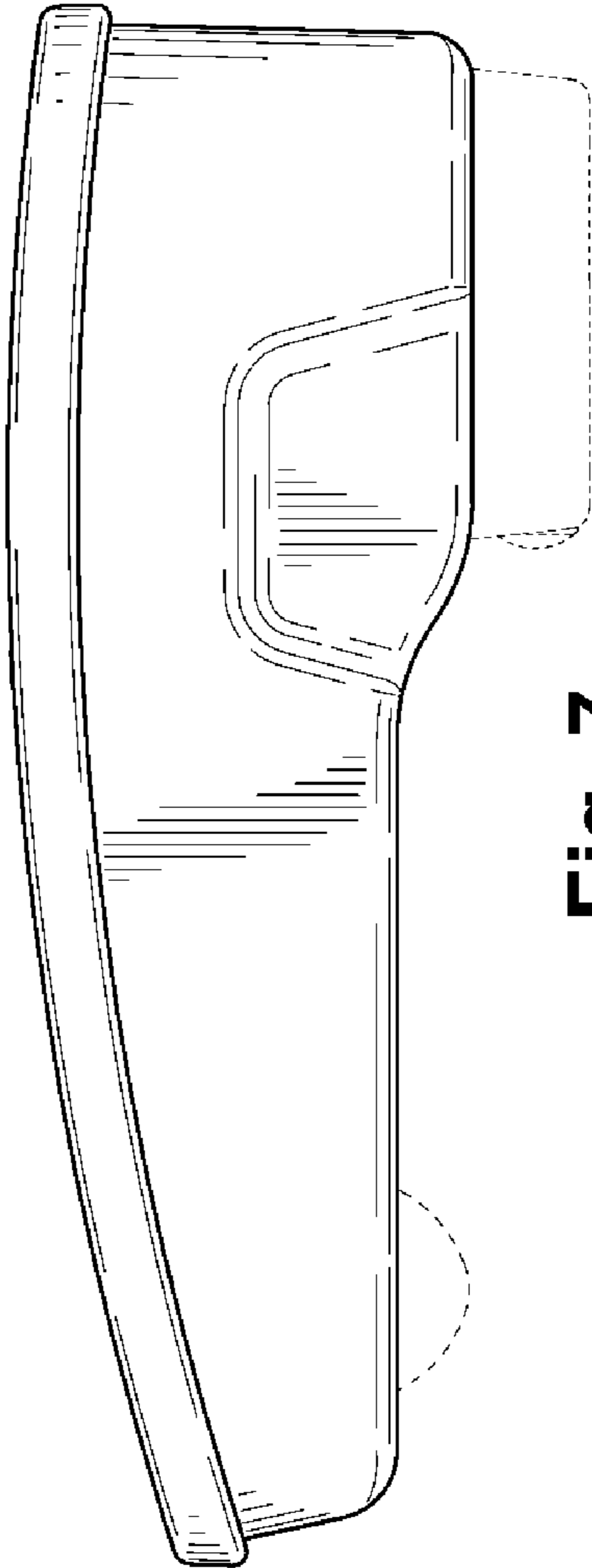


Fig. 7