



US00D632645S

(12) **United States Design Patent**  
**Blain**

(10) **Patent No.:** **US D632,645 S**

(45) **Date of Patent:** **\*\* Feb. 15, 2011**

(54) **VEHICLE RECHARGE STATION**

(76) Inventor: **James Blain**, 740 Lake Shore La.,  
Northville, MI (US) 48167

(\*\*) Term: **14 Years**

(21) Appl. No.: **29/364,650**

(22) Filed: **Jun. 25, 2010**

(51) **LOC (9) Cl.** ..... **13-02**

(52) **U.S. Cl.** ..... **D13/107**

(58) **Field of Classification Search** ..... D13/107-110,  
D13/118-119, 139.5, 184; D14/251, 253,  
D14/432, 434, 435.1; 320/107-115

See application file for complete search history.

(56) **References Cited**

**U.S. PATENT DOCUMENTS**

- 3,418,552 A 12/1968 Holmes
- D237,718 S \* 11/1975 Bozich ..... D13/139.5
- 4,158,102 A 6/1979 Bright
- D257,882 S \* 1/1981 Rawson et al. .... D24/186
- 4,289,226 A 9/1981 Wilkinson
- 4,309,644 A 1/1982 Reimers et al.
- D270,831 S \* 10/1983 Jensen ..... D13/139.5
- 4,532,418 A 7/1985 Meese et al.
- D290,599 S 6/1987 Wyatt
- D299,821 S \* 2/1989 Dively ..... D13/139.5
- 5,263,565 A 11/1993 Wilkinson
- 5,297,664 A 3/1994 Tseng et al.
- 5,327,066 A 7/1994 Smith
- D354,739 S 1/1995 Durham et al.
- 5,461,299 A 10/1995 Bruni
- 5,563,491 A 10/1996 Tseng
- 5,812,643 A 9/1998 Schelberg, Jr. et al.
- 6,114,833 A 9/2000 Langston et al.
- D434,001 S \* 11/2000 Sayger ..... D13/139.5
- 6,225,776 B1 5/2001 Chai
- 6,314,169 B1 11/2001 Schelberg, Jr. et al.
- 6,362,594 B2 \* 3/2002 Kajiura ..... 320/104
- 6,459,234 B2 \* 10/2002 Kajiura ..... 320/109
- 6,466,658 B2 10/2002 Schelberg, Jr. et al.
- 6,614,204 B2 9/2003 Pellegrino et al.
- 6,721,400 B2 4/2004 Schelberg, Jr. et al.

- 6,930,410 B2 8/2005 Ikeda et al.
- D517,011 S 3/2006 Burke
- 7,256,516 B2 8/2007 Buchanan et al.
- D597,937 S 8/2009 Haw et al.
- 7,582,979 B2 9/2009 Oyobe et al.
- D608,733 S \* 1/2010 Smith ..... D13/107
- D608,734 S \* 1/2010 Smith ..... D13/107
- 7,679,336 B2 3/2010 Gale et al.
- D613,683 S \* 4/2010 Baxter et al. .... D13/107

(Continued)

**FOREIGN PATENT DOCUMENTS**

WO WO2007141543 A2 12/2007

**OTHER PUBLICATIONS**

The chargepoint network info@gptechnology.com copyright 2009  
Green Power Technology, LLC, Aug. 31, 2009.

(Continued)

*Primary Examiner*—Rosemary K Tarcza  
(74) *Attorney, Agent, or Firm*—Young Basile

(57) **CLAIM**

The ornamental design for a vehicle recharge station, as shown and described.

**DESCRIPTION**

FIG. 1 is a perspective view embodying the ornamental design constituting my invention;

FIG. 2 is a front elevational view thereof;

FIG. 3 is a rear elevational view thereof;

FIG. 4 is a right side elevational view thereof;

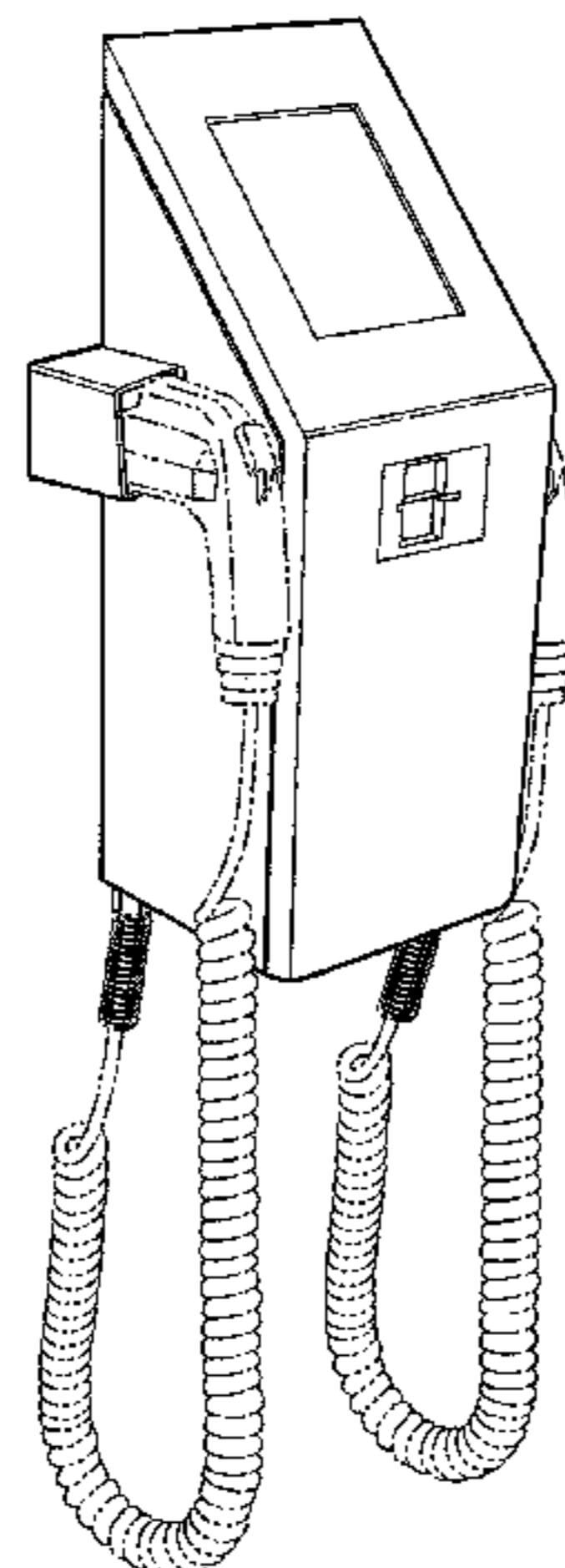
FIG. 5 is a left side elevational view thereof;

FIG. 6 is a top plan view thereof; and,

FIG. 7 is a bottom plan view thereof.

The broken lines shown in the drawings are included for the purpose of illustrating environmental structure and form no part of the claimed design.

**1 Claim, 4 Drawing Sheets**



U.S. PATENT DOCUMENTS

7,693,609 B2 4/2010 Kressner et al.  
 2001/0003416 A1\* 6/2001 Kajiura ..... 320/109  
 2003/0120442 A1 6/2003 Pellegrino et al.  
 2009/0021213 A1 1/2009 Johnson  
 2009/0030712 A1 1/2009 Bogolea et al.  
 2009/0062967 A1 3/2009 Kressner et al.  
 2009/0079389 A1 3/2009 Ohionio  
 2009/0091291 A1 4/2009 Woody et al.  
 2009/0174365 A1 7/2009 Lowenthal et al.  
 2009/0177580 A1 7/2009 Lowenthal et al.  
 2009/0177595 A1 7/2009 Dunlap et al.  
 2009/0224724 A1 9/2009 Ma et al.  
 2009/0302801 A1 12/2009 Katsunaga  
 2009/0313098 A1 12/2009 Hafner et al.  
 2009/0327165 A1 12/2009 Kaufman  
 2010/0001687 A1 1/2010 Watanabe  
 2010/0010698 A1 1/2010 Iwashita et al.  
 2010/0013433 A1 1/2010 Baxter et al.  
 2010/0013434 A1 1/2010 Taylor-Haw et al.  
 2010/0013435 A1 1/2010 Tu  
 2010/0013436 A1 1/2010 Lowenthal et al.  
 2010/0017249 A1 1/2010 Fineham et al.

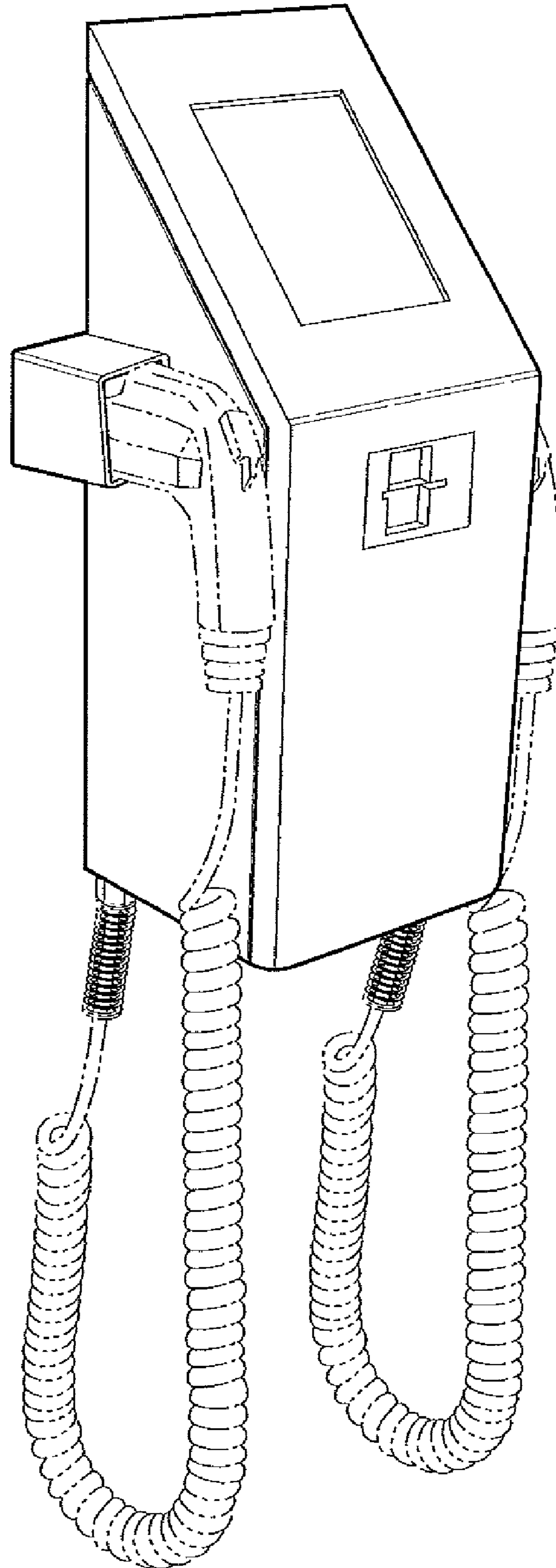
2010/0019722 A1 1/2010 Sanchez  
 2010/0019723 A1 1/2010 Ichikawa  
 2010/0026237 A1 2/2010 Ichikawa et al.  
 2010/0039062 A1 2/2010 Gu et al.  
 2010/0039067 A1 2/2010 Hill et al.  
 2010/0045232 A1 2/2010 Chen et al.  
 2010/0060016 A1 3/2010 Hunter  
 2010/0065627 A1 3/2010 Outwater  
 2010/0076636 A1 3/2010 Ichikawa  
 2010/0079105 A1 4/2010 Iwanaga et al.  
 2010/0102775 A1 4/2010 Chander et al.  
 2010/0102776 A1 4/2010 Uchida  
 2010/0106631 A1 4/2010 Kurayama et al.  
 2010/0109603 A1 5/2010 Hargott  
 2010/0109604 A1 5/2010 Boys et al.

OTHER PUBLICATIONS

RFID Journal, RFID Is The Key to Electric Vehicle Recharging Stations, Aug. 31, 2009.  
 Coulomb's Electric Vehicle Charging Stations Are Live in San Jose, Posted Jan. 6, 2009 at 7:46 am.

\* cited by examiner

**FIG. 1**



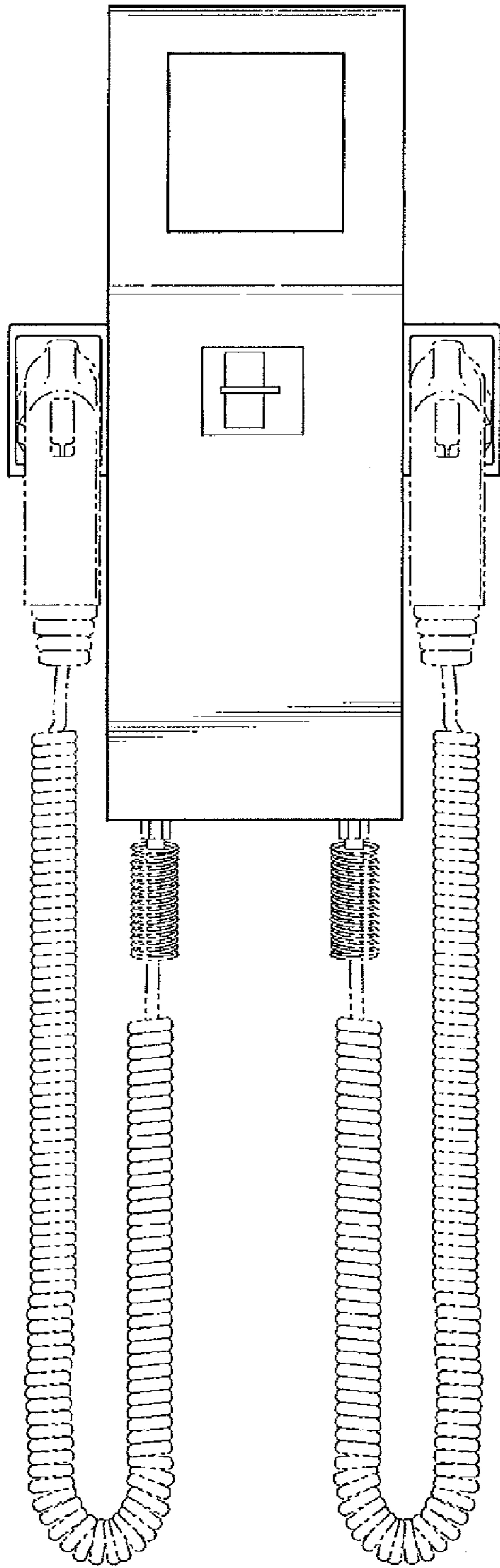


FIG. 2

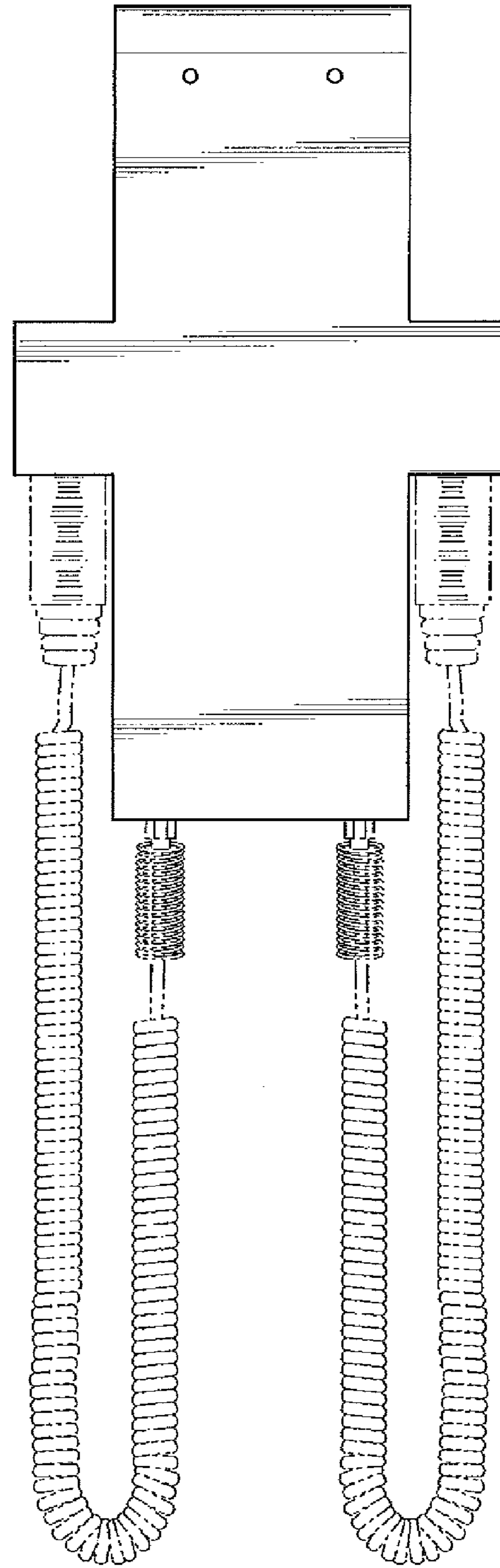


FIG. 3

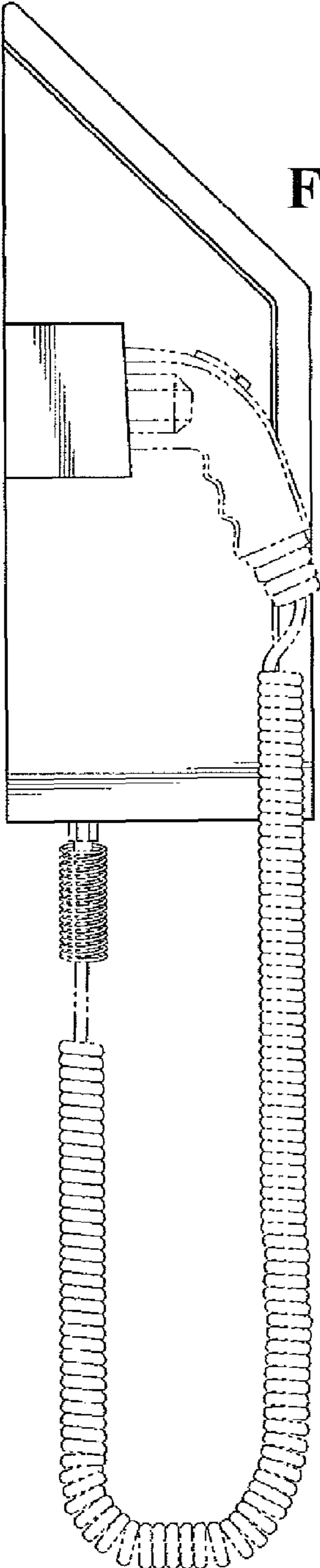


FIG. 4

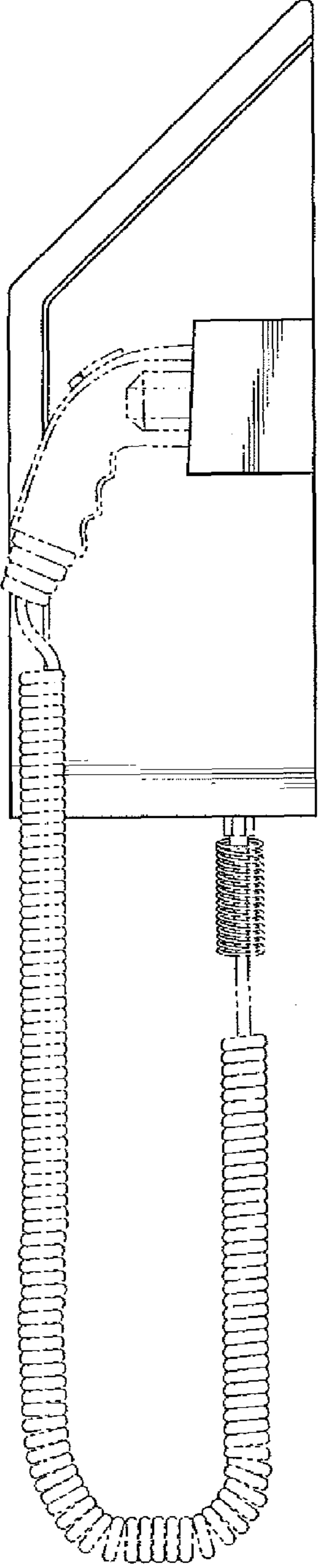
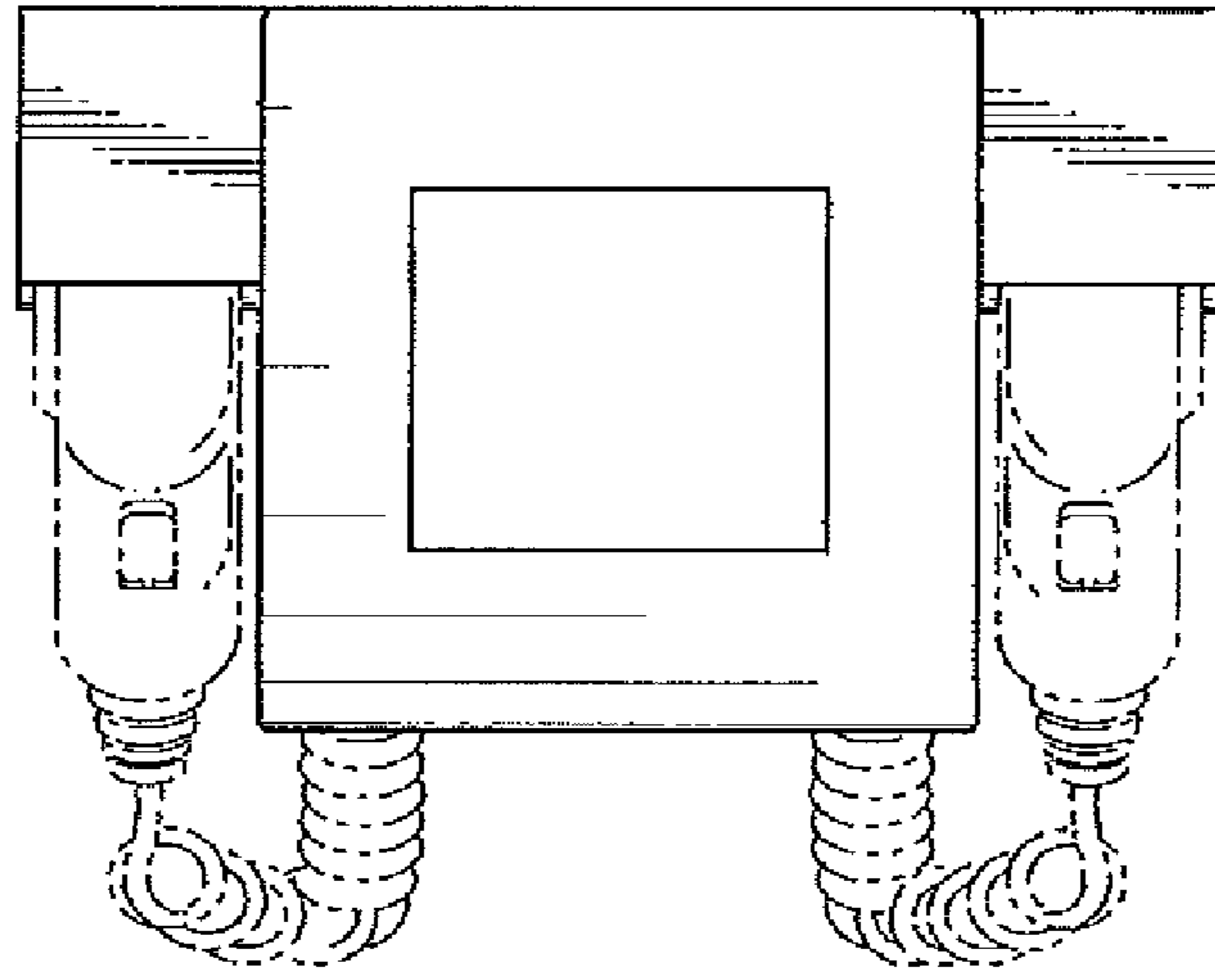
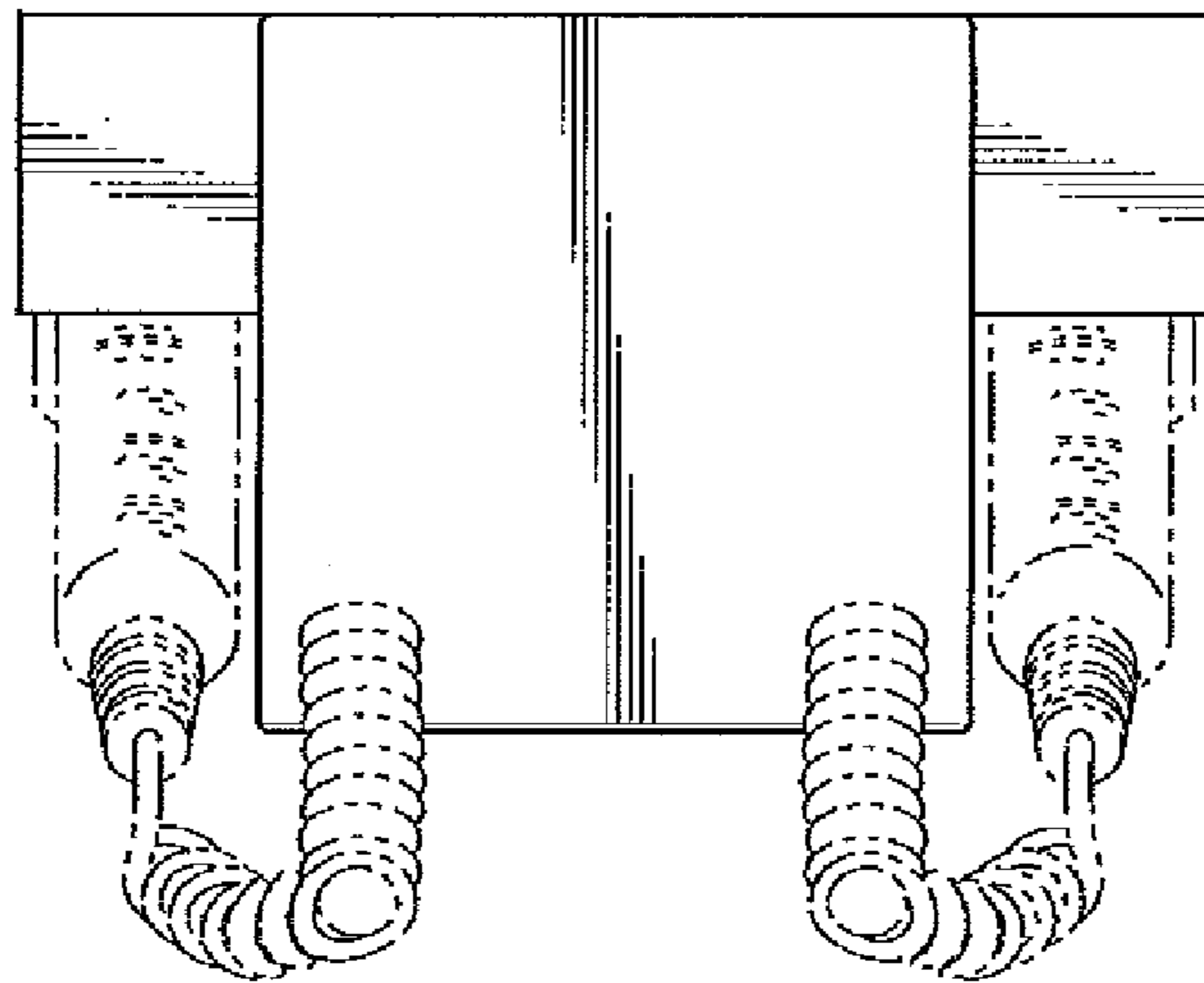


FIG. 5



**FIG. 6**



**FIG. 7**