



US00D632644S

(12) **United States Design Patent**  
**Yokozeki**

(10) **Patent No.:** **US D632,644 S**

(45) **Date of Patent:** **\*\* Feb. 15, 2011**

(54) **BATTERY CHARGER**

(75) Inventor: **Ryota Yokozeki**, Tokyo (JP)

(73) Assignee: **Sony Corporation**, Tokyo (JP)

(\*\*) Term: **14 Years**

(21) Appl. No.: **29/356,566**

(22) Filed: **Feb. 26, 2010**

(30) **Foreign Application Priority Data**

Jan. 5, 2010 (JP) ..... D2010-000121

(51) **LOC (9) Cl.** ..... **13-02**

(52) **U.S. Cl.** ..... **D13/107**

(58) **Field of Classification Search** ..... D13/107-110,  
D13/118-119, 184; D14/251, 253, 432,  
D14/434, 435.1; 320/107-115  
See application file for complete search history.

(56) **References Cited**

**U.S. PATENT DOCUMENTS**

D327,248 S *	6/1992	Hotsumi et al.	.....	D13/108
D350,528 S *	9/1994	Bent et al.	.....	D13/108
D410,431 S	6/1999	Sasago et al.		
D411,824 S *	7/1999	Wilson et al.	.....	D13/108
D420,323 S	2/2000	Nakamura		
6,130,521 A *	10/2000	Collins et al.	.....	320/115
D440,977 S *	4/2001	Weisz et al.	.....	D14/434
D441,713 S *	5/2001	Gartrell	.....	D13/108
D442,141 S	5/2001	Ikengawa et al.		

D444,472 S *	7/2001	Russell et al.	.....	D14/434
D468,685 S *	1/2003	Jacobs et al.	.....	D13/107
D475,011 S	5/2003	Kataoka		
D507,526 S *	7/2005	Ohta	.....	D13/108
D509,790 S *	9/2005	Sakai	.....	D13/108
D520,013 S *	5/2006	Yang	.....	D14/434
D520,943 S *	5/2006	Imai	.....	D13/108
D535,941 S *	1/2007	Miyashita	.....	D13/107

\* cited by examiner

*Primary Examiner*—Rosemary K Tarcza

(74) *Attorney, Agent, or Firm*—Rader, Fishman & Grauer PLLC

(57) **CLAIM**

The ornamental design for a battery charger, as shown and described.

**DESCRIPTION**

FIG. 1 is a perspective view of a battery charger showing my new design;

FIG. 2 is a front elevational view thereof;

FIG. 3 is a left side elevational view thereof;

FIG. 4 is a right side elevational view thereof;

FIG. 5 is a top plan view thereof; and,

FIG. 6 is a bottom plan view thereof.

The broken lines shown in the drawings are included for the purpose of illustrating unclaimed portions of the battery charger and form no part of the claimed design.

**1 Claim, 4 Drawing Sheets**

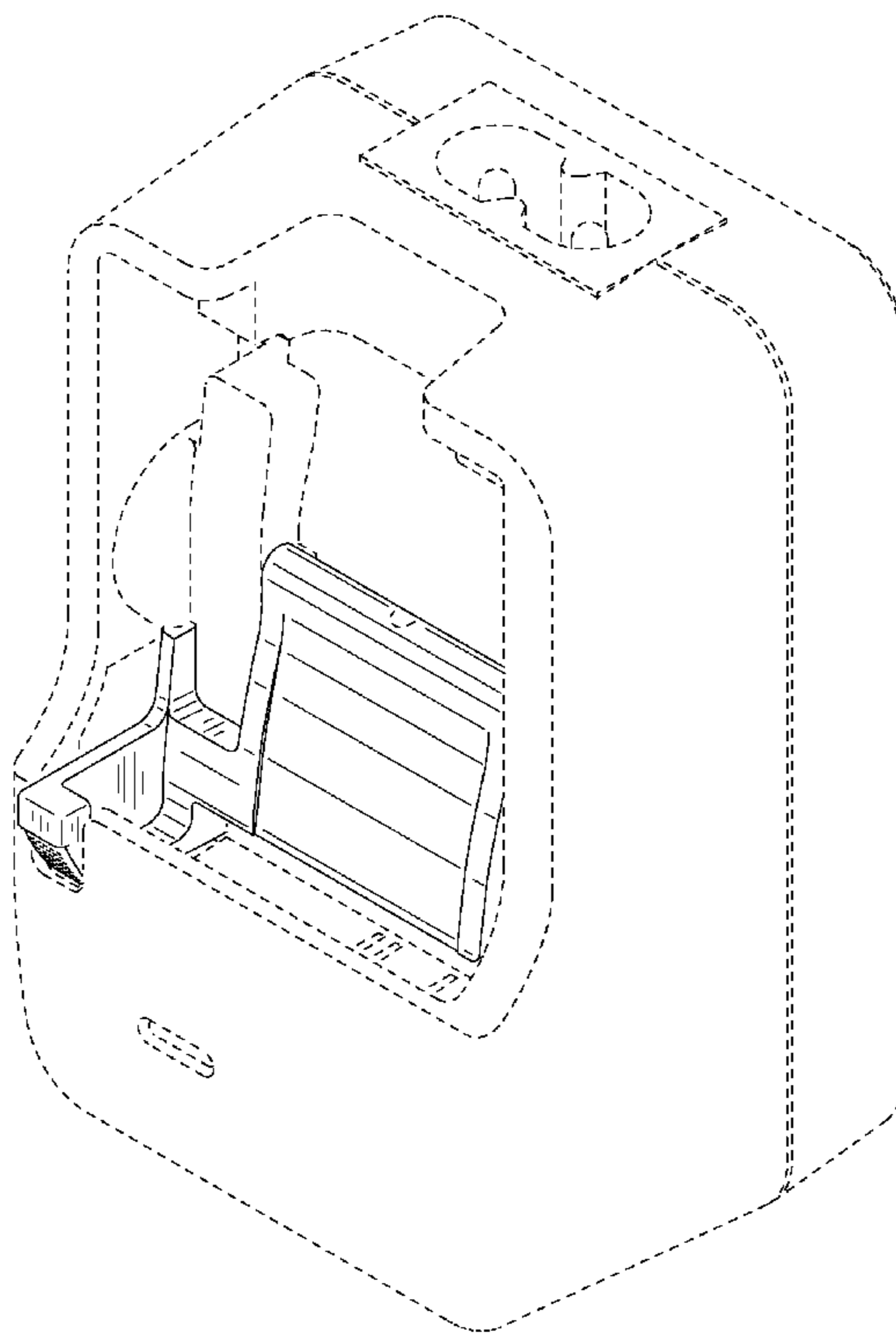


FIG.1

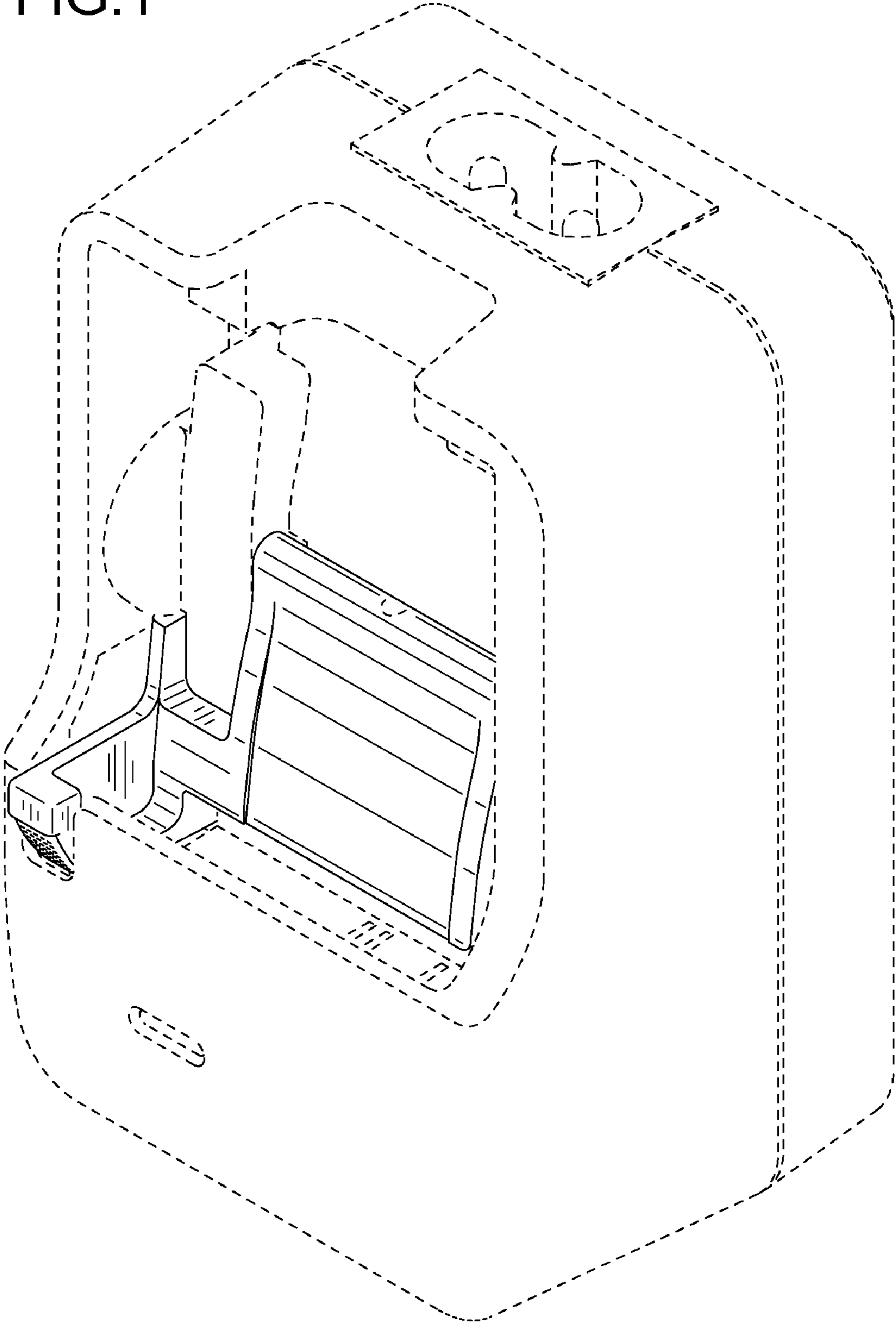
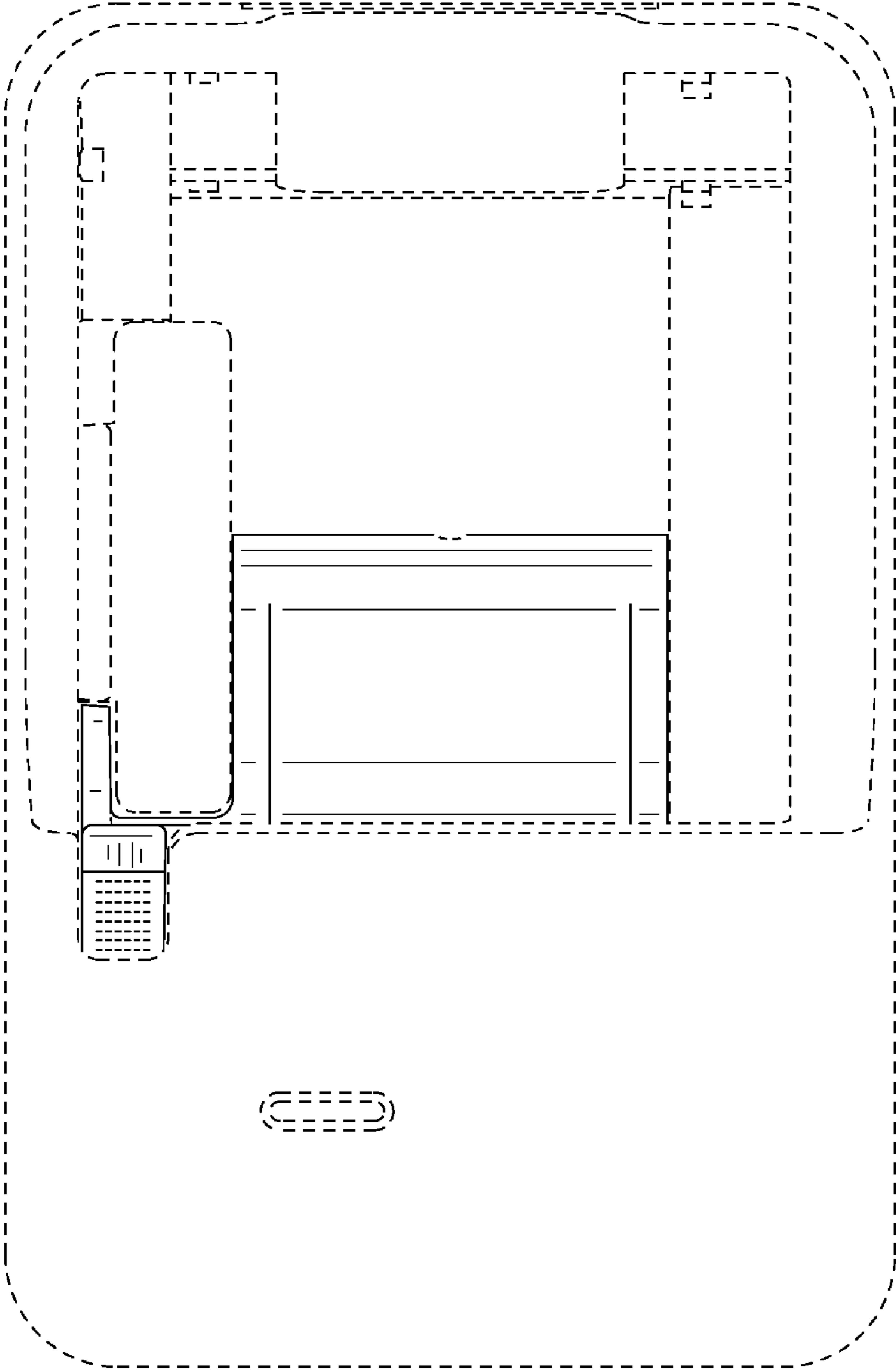


FIG.2



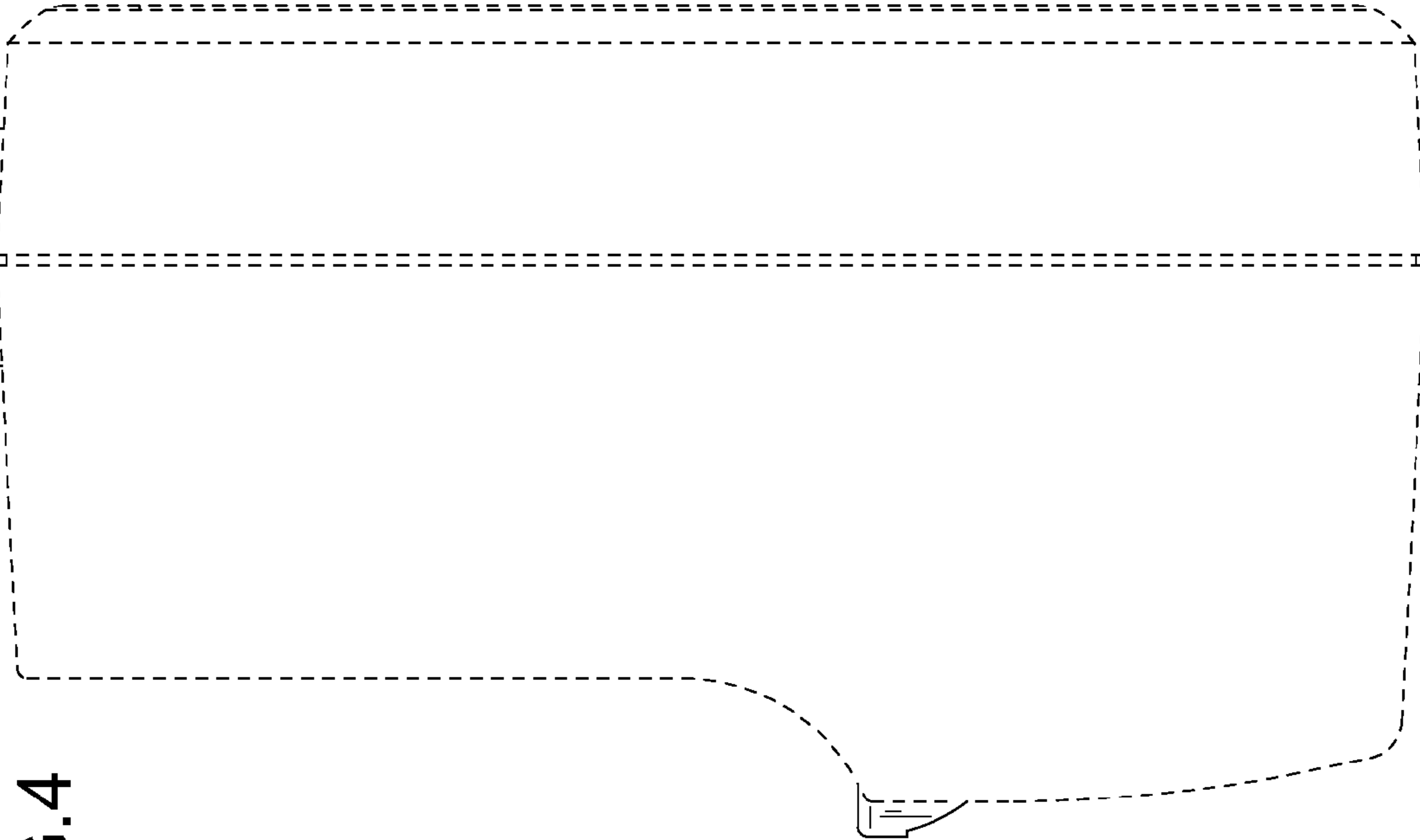


FIG. 4

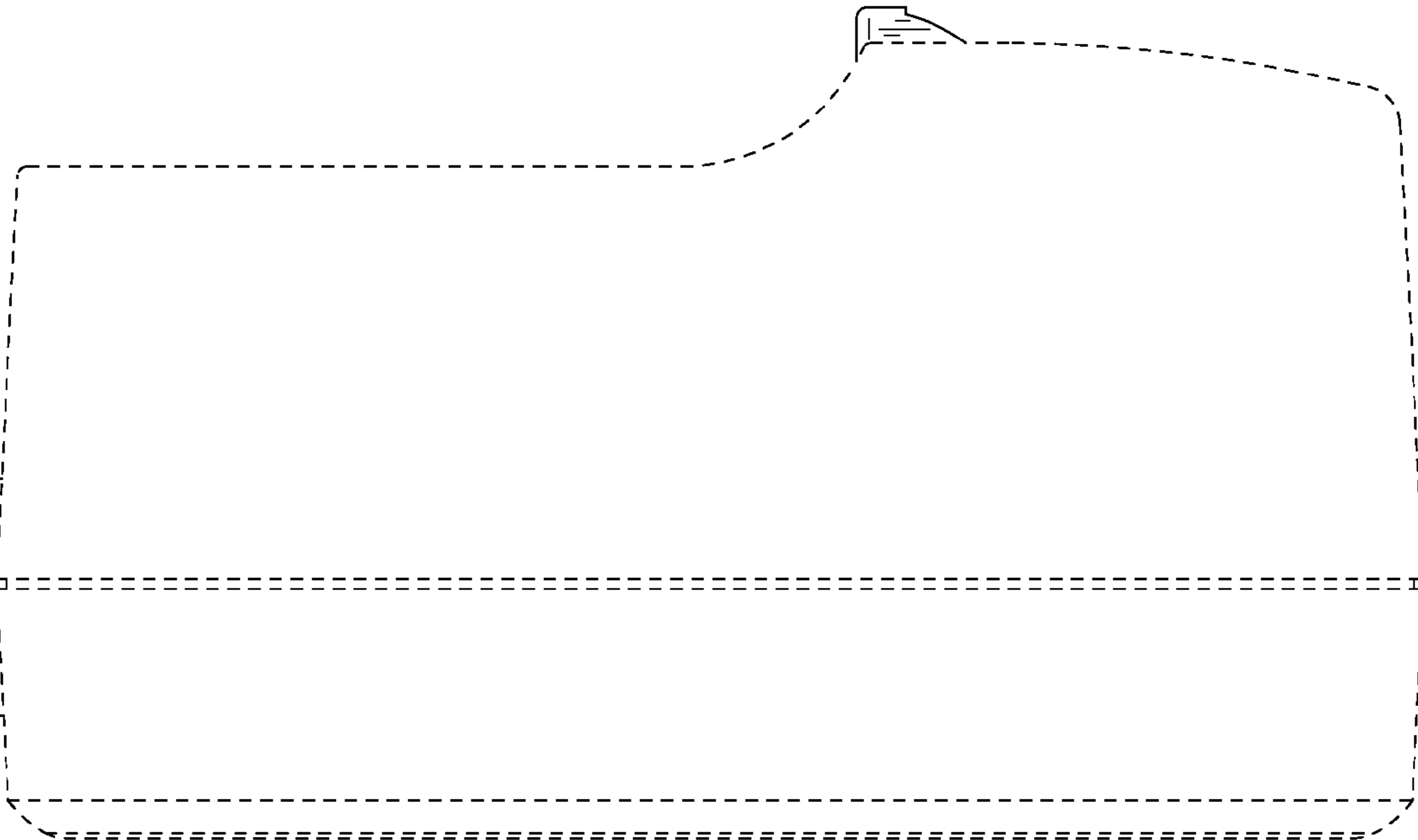


FIG. 3

FIG.5

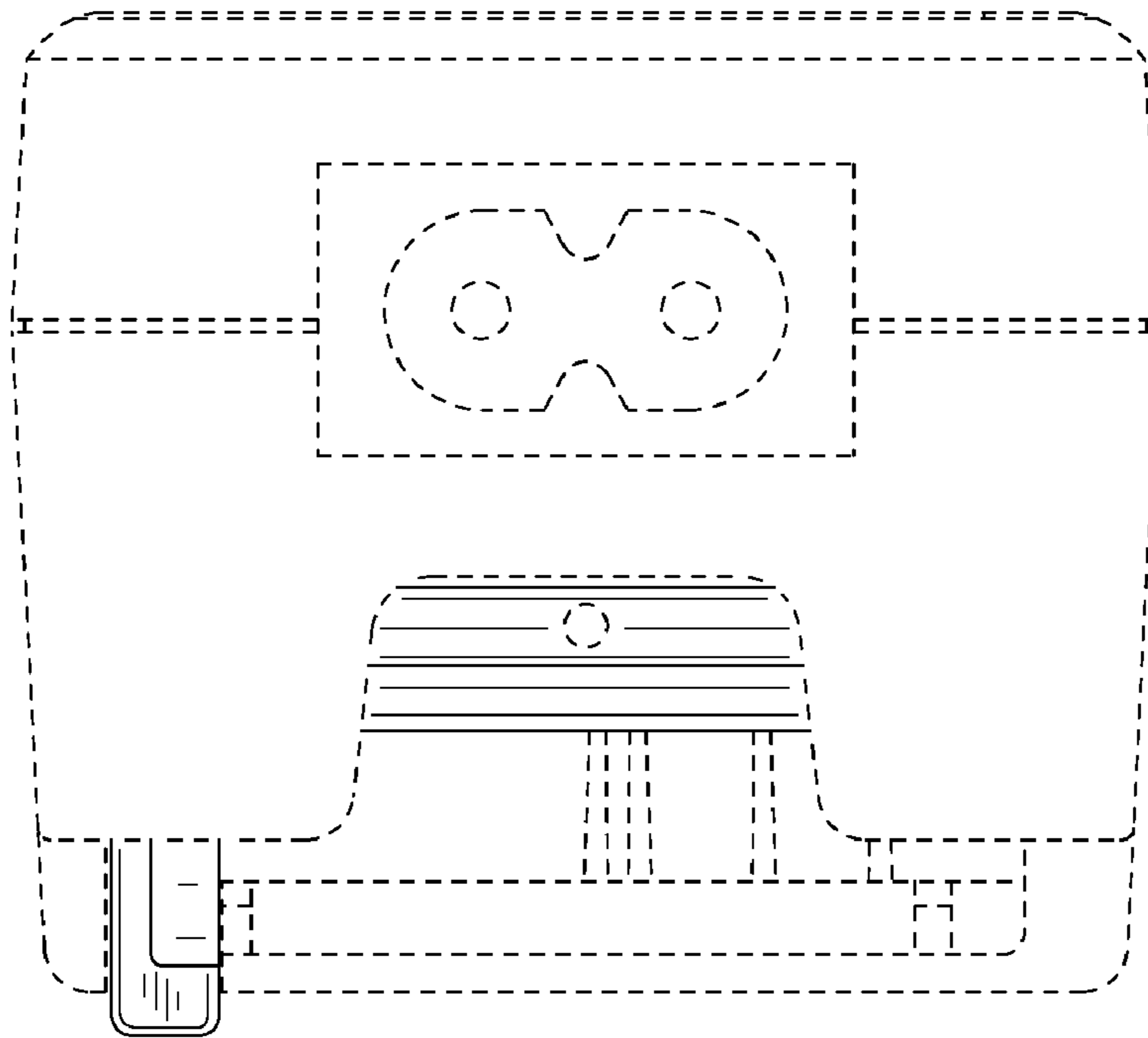


FIG.6

