



US00D632643S

(12) **United States Design Patent**
Tanaka et al.

(10) **Patent No.:** **US D632,643 S**
(45) **Date of Patent:** **** Feb. 15, 2011**

(54) **BATTERY FOR AN ELECTRIC BICYCLE**

D570,772 S * 6/2008 Mahaffey et al. D13/110
D584,252 S * 1/2009 Lewis et al. D13/184
D585,852 S * 2/2009 Chen D13/184

(75) Inventors: **Yosuke Tanaka**, Kobe (JP); **Katsuyuki Tomonaga**, Osaka (JP)

* cited by examiner

(73) Assignees: **Sanyo Electric Co., Ltd.**, Moriguchi-shi (JP); **Sanyo Consumer Electronics Co., Ltd.**, Tottori (JP)

Primary Examiner—Rosemary K Tarcza
(74) *Attorney, Agent, or Firm*—Westerman, Hattori, Daniels & Adrian, LLP

(**) Term: **14 Years**

(21) Appl. No.: **29/364,930**

(57) **CLAIM**

(22) Filed: **Jun. 30, 2010**

The ornamental design for a battery for an electric bicycle, as shown and described.

(30) **Foreign Application Priority Data**

DESCRIPTION

Jan. 29, 2010 (JP) 2010-002070

FIG. 1 is a left front perspective view of a battery for an electric bicycle showing our new design;

(51) **LOC (9) Cl.** **13-02**

FIG. 2 is a top plan view thereof;

(52) **U.S. Cl.** **D13/103**

FIG. 3 is a bottom plan view thereof;

(58) **Field of Classification Search** D13/102–106,
D13/110, 118–121, 184, 199; 429/96–100,
429/163, 176, 187

FIG. 4 is a front elevational view thereof;

FIG. 5 is a rear elevational view thereof;

See application file for complete search history.

FIG. 6 is a right side elevational view thereof;

FIG. 7 is a left side elevational view thereof; and,

(56) **References Cited**

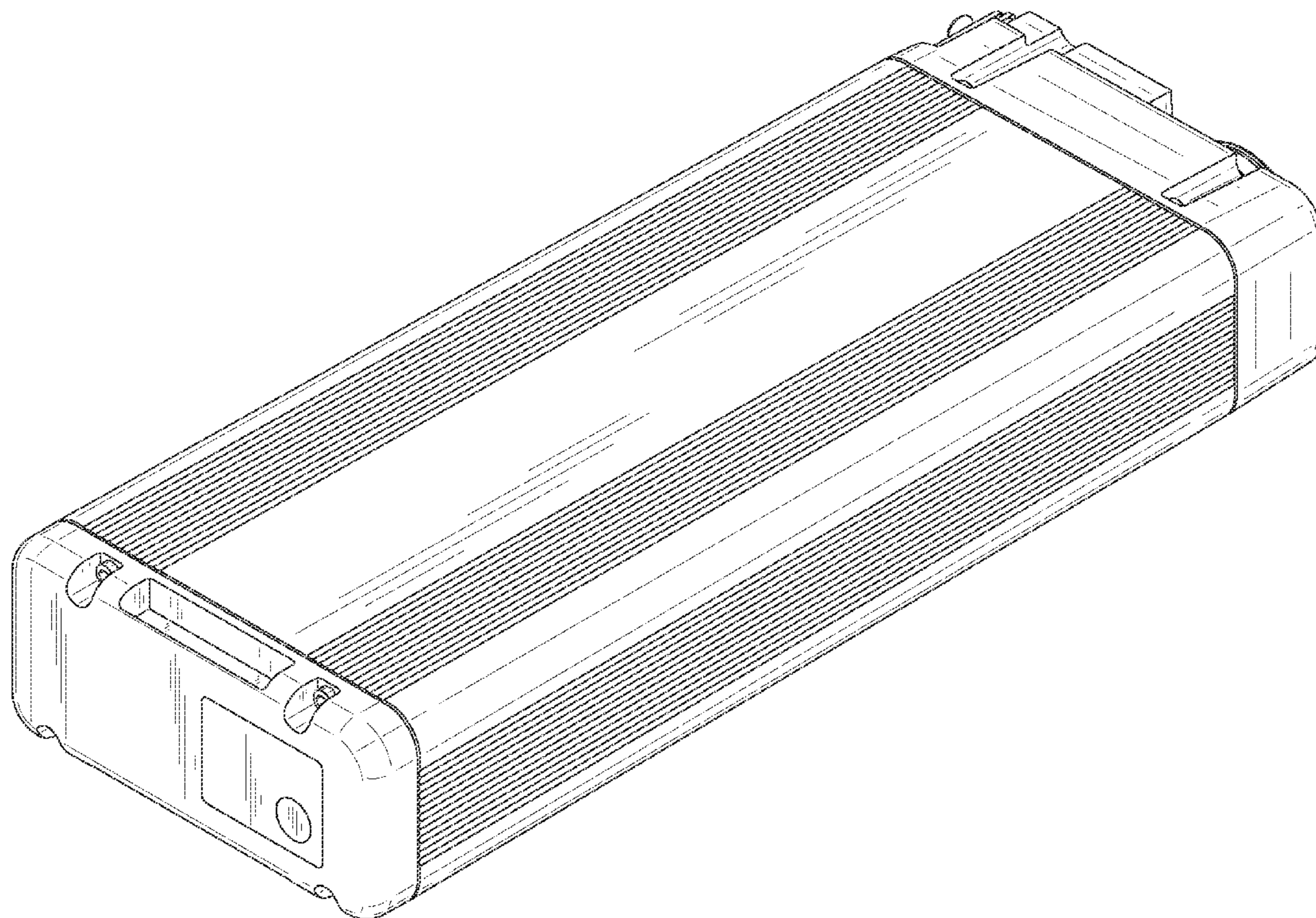
U.S. PATENT DOCUMENTS

D264,583 S * 5/1982 Kessler D13/184
D271,970 S * 12/1983 Velsher et al. D14/140.5
D310,665 S * 9/1990 Fortune et al. D14/140
D483,725 S * 12/2003 Thompson et al. D13/184
D566,650 S * 4/2008 McGowan D13/110

FIG. 8 is a cross-sectional view thereof taken along line 8—8 of FIG. 7.

The elements in broken lines show environmental structure and form no part of the claimed design.

1 Claim, 6 Drawing Sheets



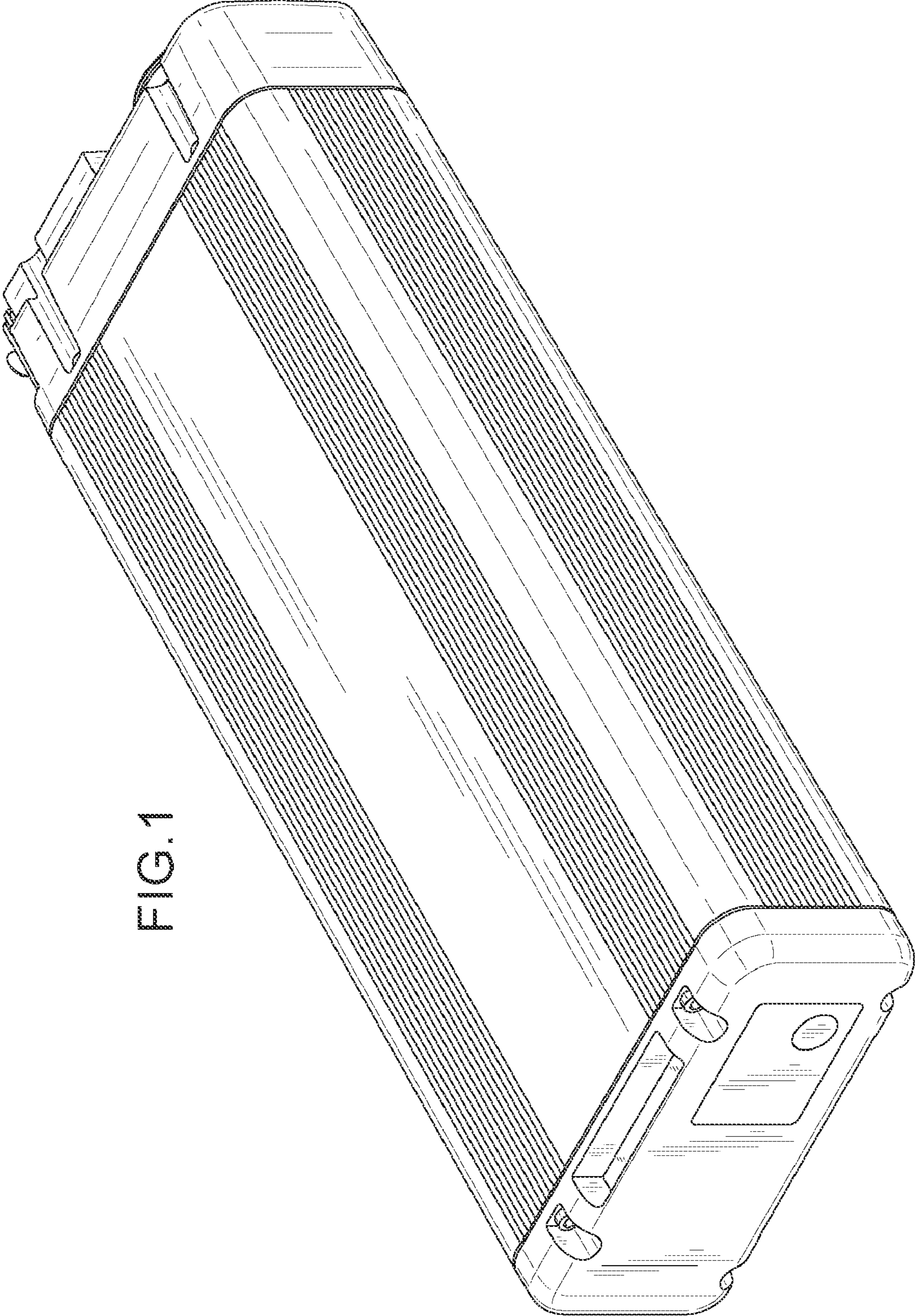


FIG. 1

FIG. 2

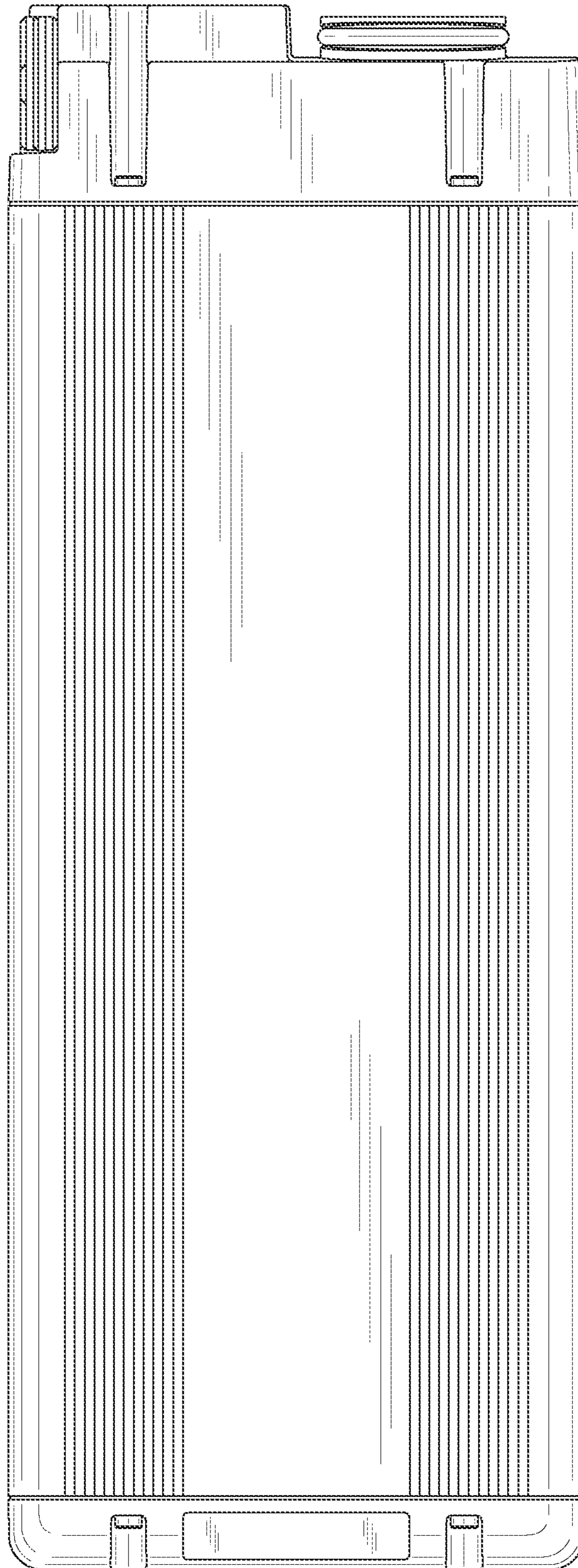


FIG. 3

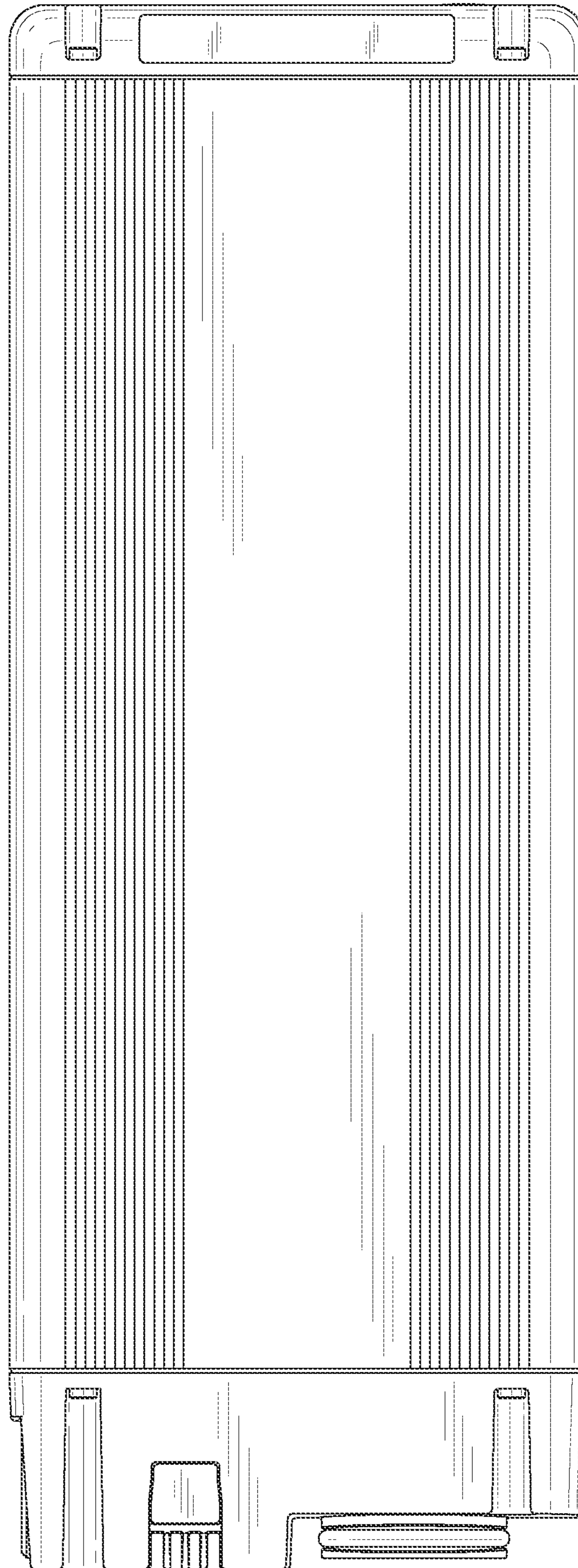


FIG.4

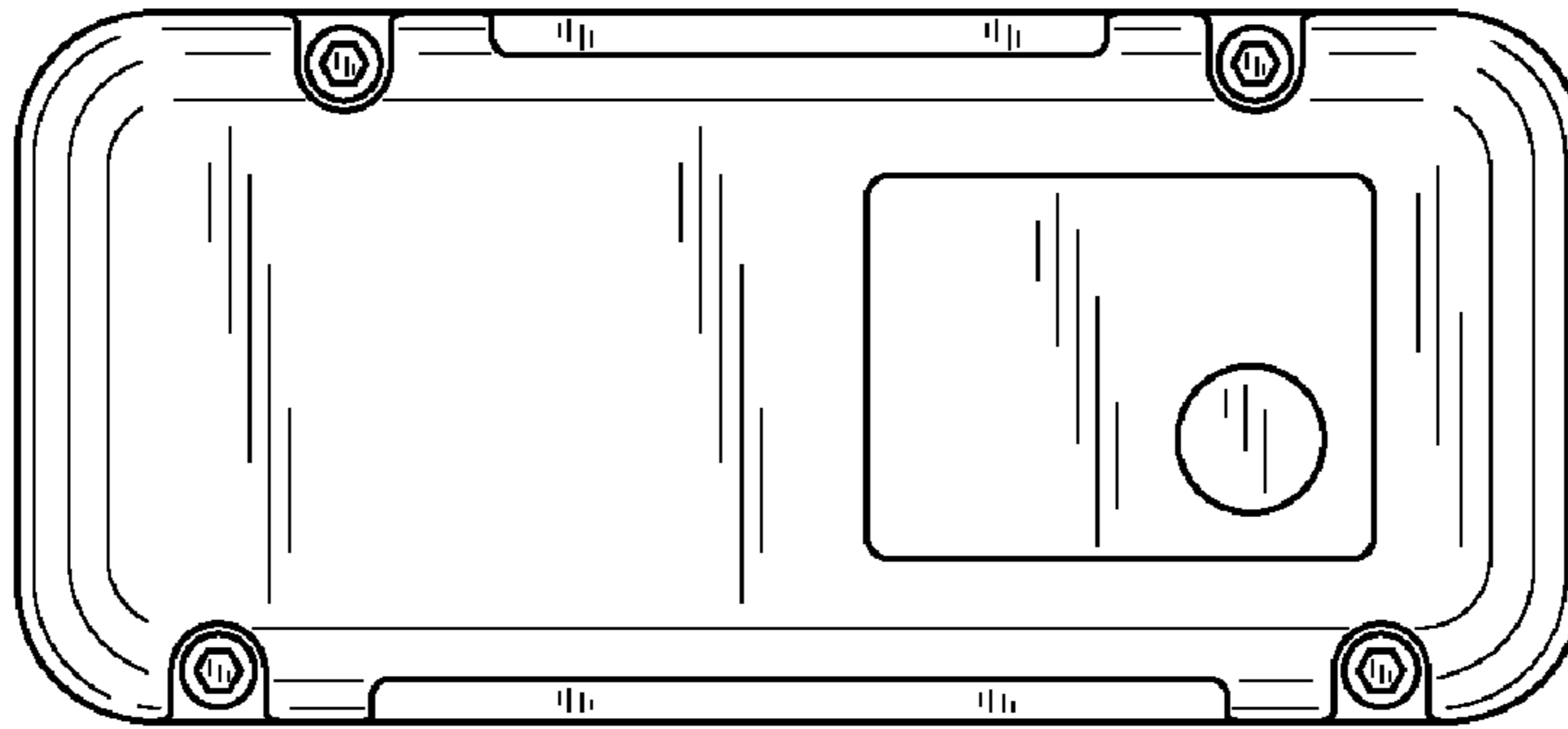


FIG.5

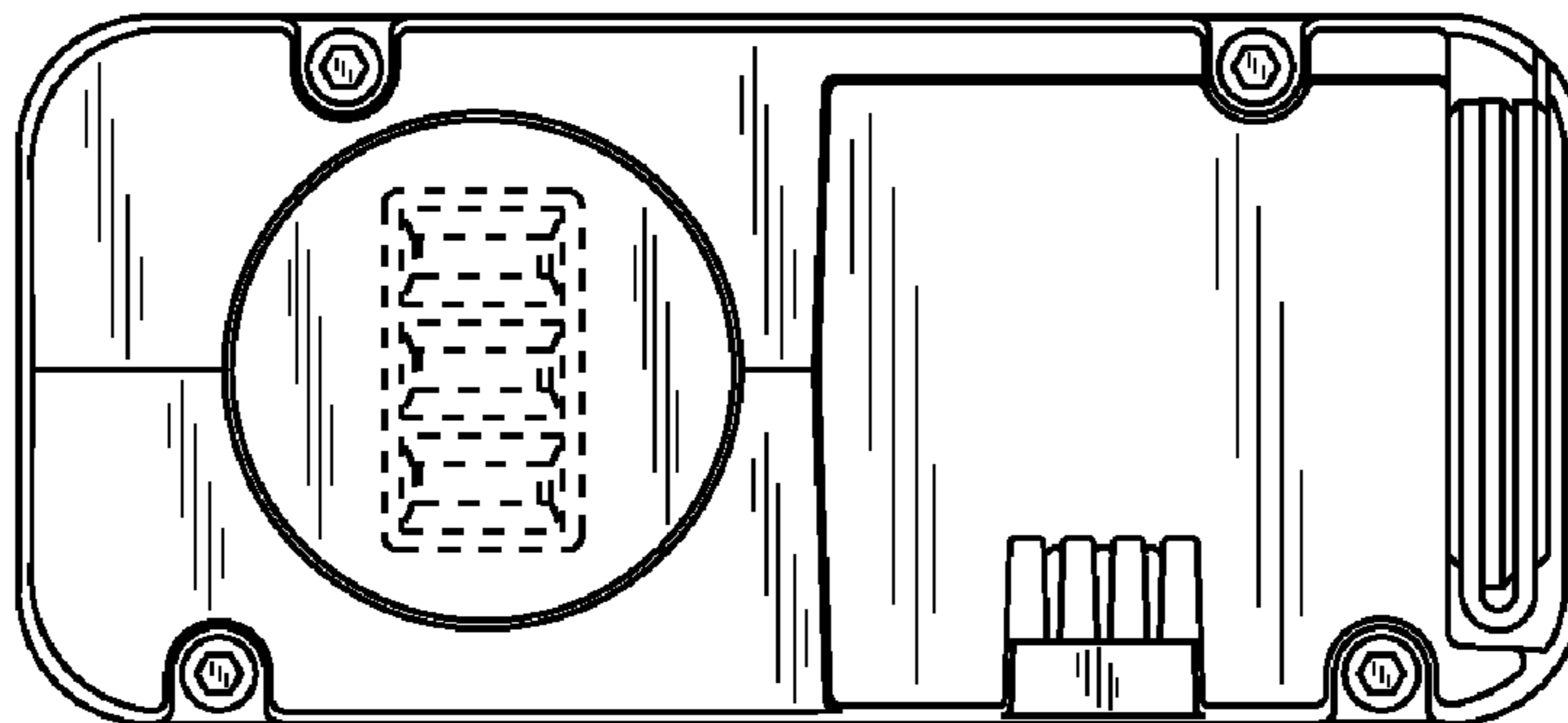


FIG.6

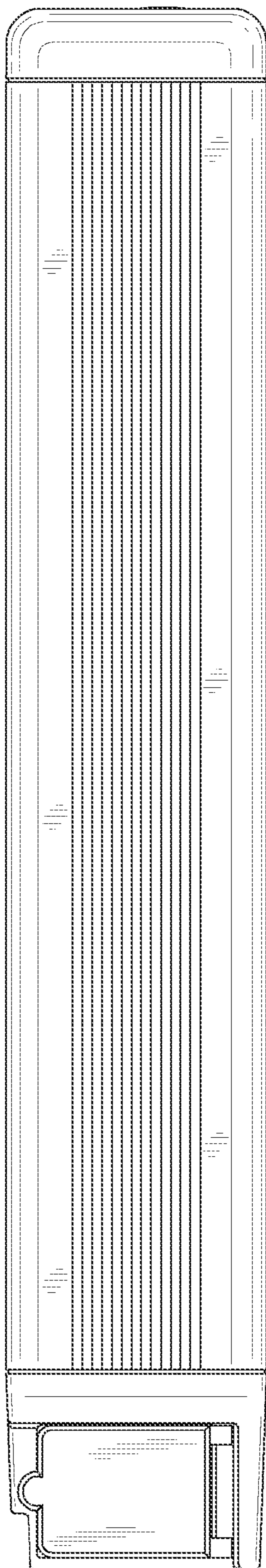


FIG.7

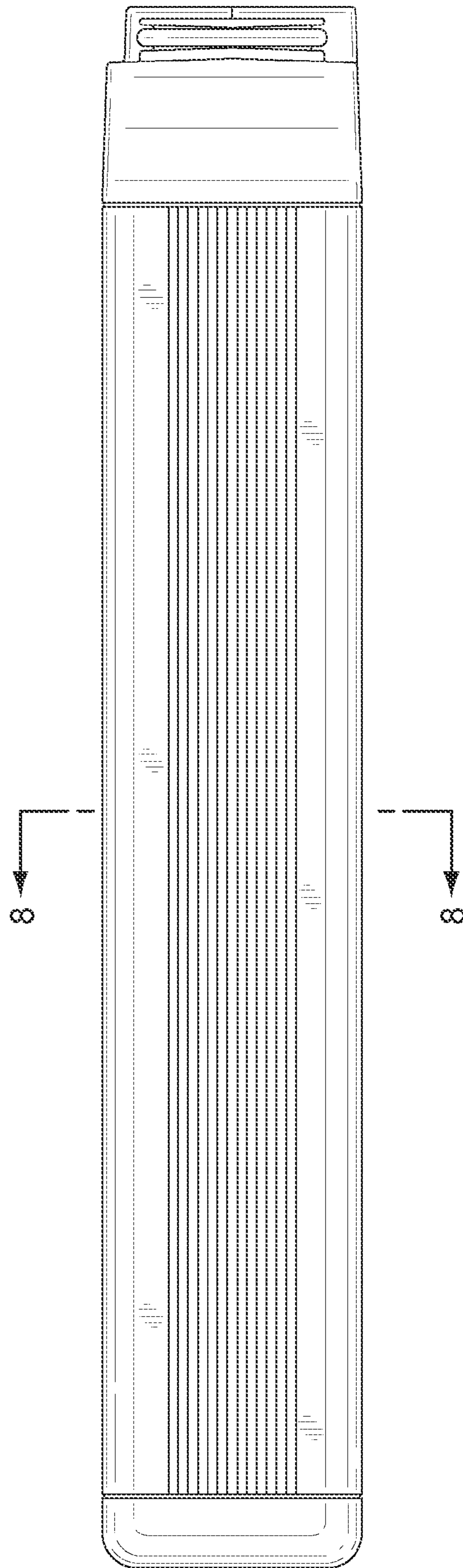


FIG. 8

