



US00D632639S

(12) **United States Design Patent**  
**Rosenbohm**

(10) **Patent No.:** **US D632,639 S**

(45) **Date of Patent:** **\*\* Feb. 15, 2011**

(54) **CENTER CONSOLE**

(75) Inventor: **Oliver Rosenbohm**, Stuttgart (DE)

(73) Assignee: **Dr. Ing. h.c. F. Porsche**, Stuttgart (DE)

(\*\*) Term: **14 Years**

(21) Appl. No.: **29/319,342**

(22) Filed: **Jun. 6, 2008**

(30) **Foreign Application Priority Data**

Dec. 7, 2007 (DE) ..... 4 07 06 050

(51) **LOC (9) Cl.** ..... **12-16**

(52) **U.S. Cl.** ..... **D12/415**

(58) **Field of Classification Search** ..... D12/415-419,  
D12/420; D3/294-295; 296/37.1, 36; D9/423;  
224/404; 22/539

See application file for complete search history.

(56) **References Cited**

**U.S. PATENT DOCUMENTS**

D459,288 S \* 6/2002 Tsay ..... D12/415  
D513,491 S \* 1/2006 Yamazaki et al. .... D12/419  
D522,957 S \* 6/2006 Miyashita ..... D12/424  
D530,660 S \* 10/2006 Norman et al. .... D12/415  
D573,529 S \* 7/2008 Ozeki et al. .... D12/419

D592,126 S \* 5/2009 da Silveira et al. .... D12/415  
D598,362 S \* 8/2009 Tan et al. .... D12/415  
D615,023 S \* 5/2010 Moburg et al. .... D12/415  
D615,478 S \* 5/2010 Hynes ..... D12/415

\* cited by examiner

*Primary Examiner*—Caron Veynar  
*Assistant Examiner*—Katrina A Kile

(57) **CLAIM**

The ornamental design for a center console, as shown and described.

**DESCRIPTION**

FIG. 1 is a top and side, perspective view of the center console showing my new design;

FIG. 2 is a top and front, perspective view thereof;

FIG. 3 is a right-side view thereof;

FIG. 4 is left-side view thereof;

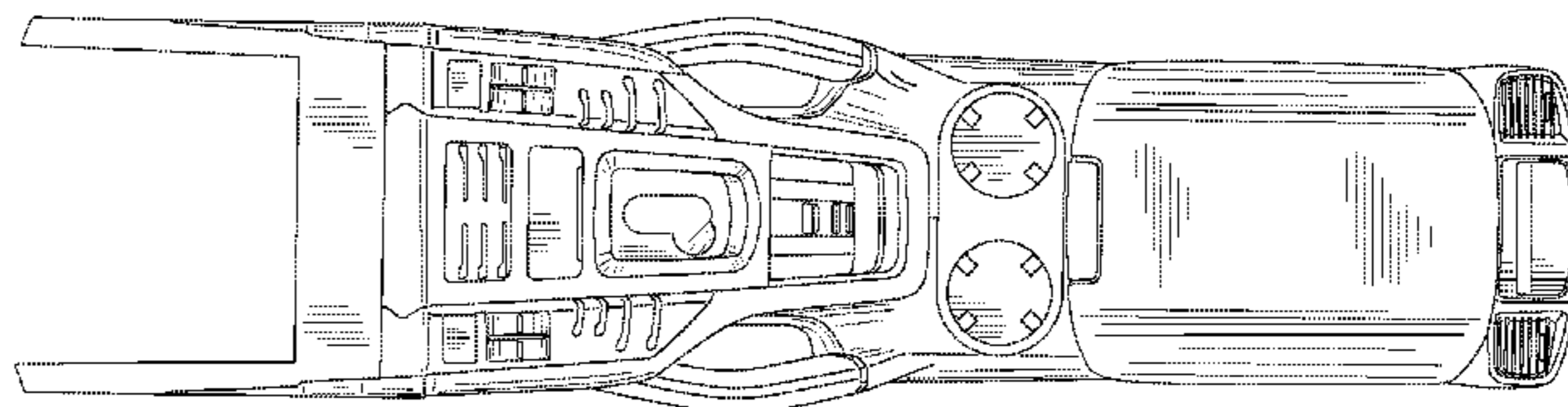
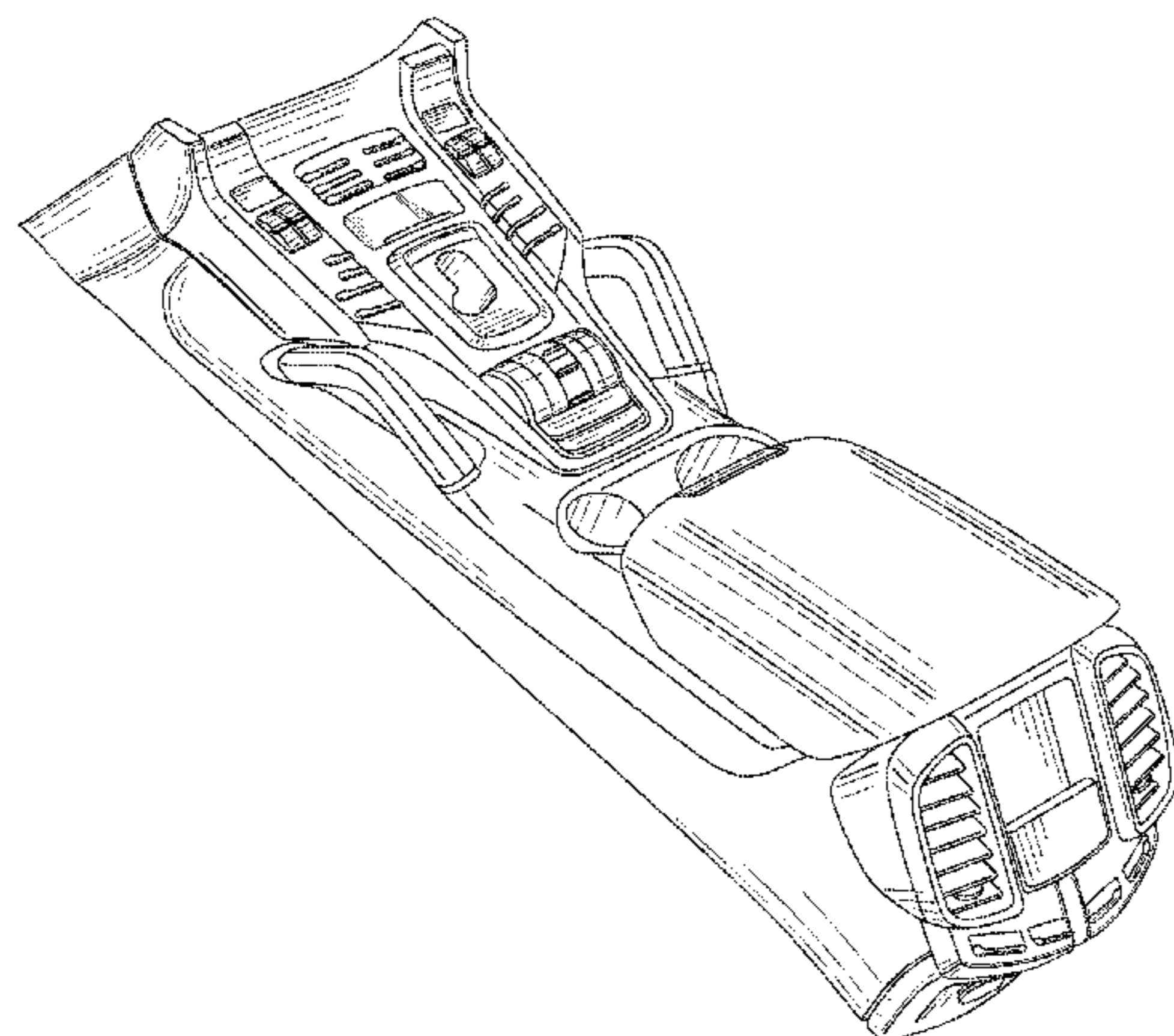
FIG. 5 is a top, plan view thereof;

FIG. 6 is a front, plan view thereof; and,

FIG. 7 is a rear view thereof.

In the drawings, the broken lines show details that form no part of the claim.

**1 Claim, 7 Drawing Sheets**



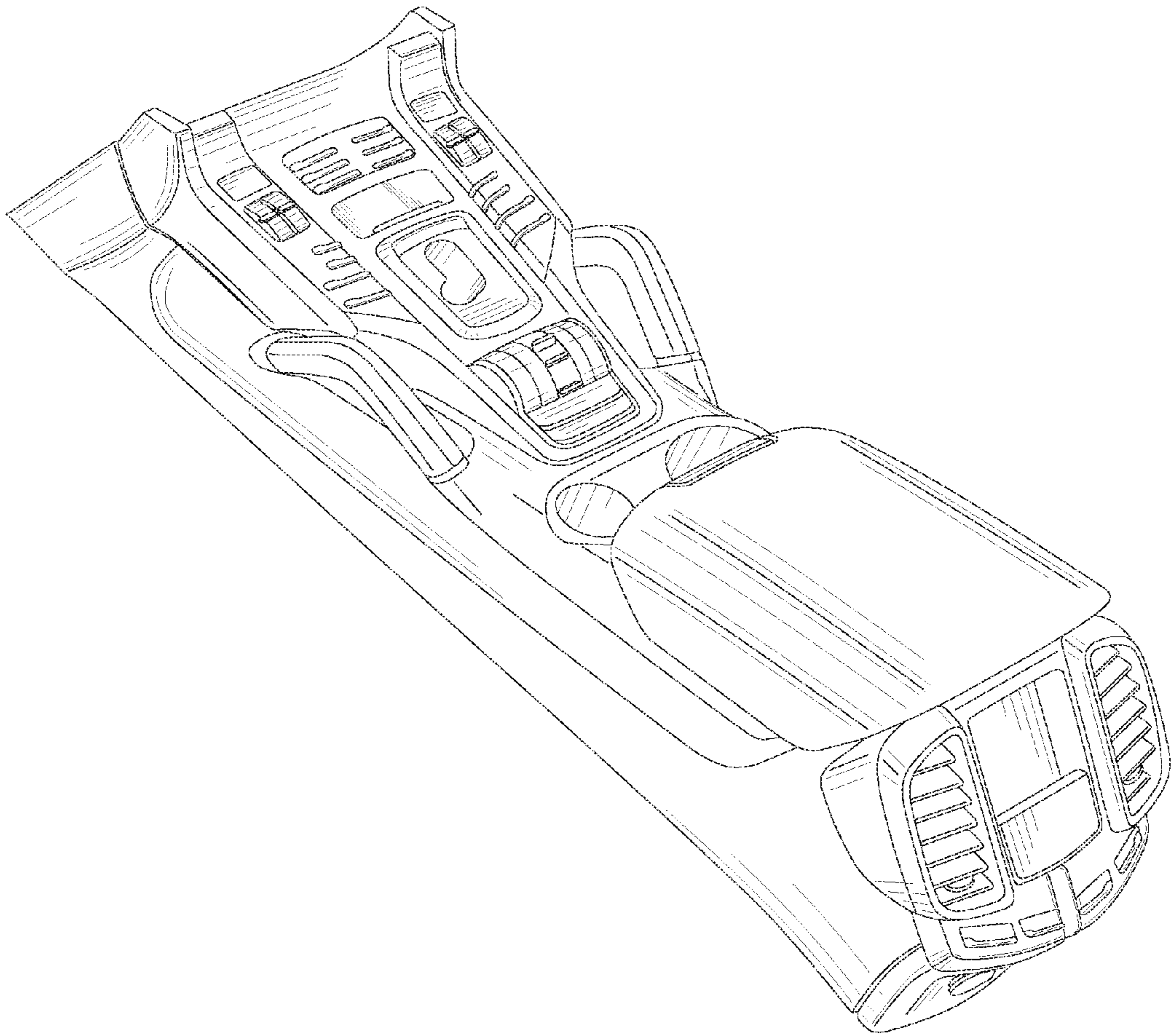


FIG. 1

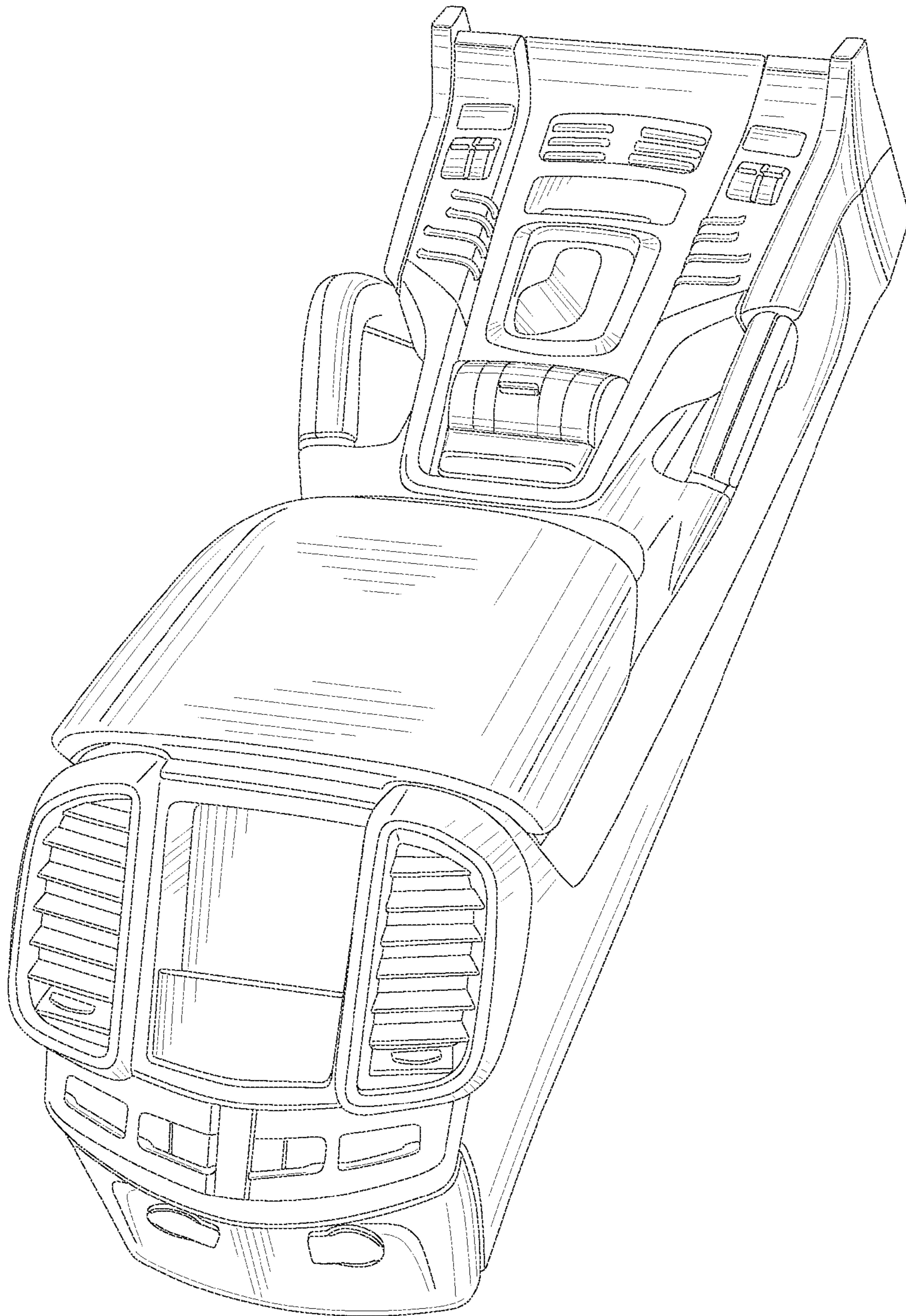


FIG. 2

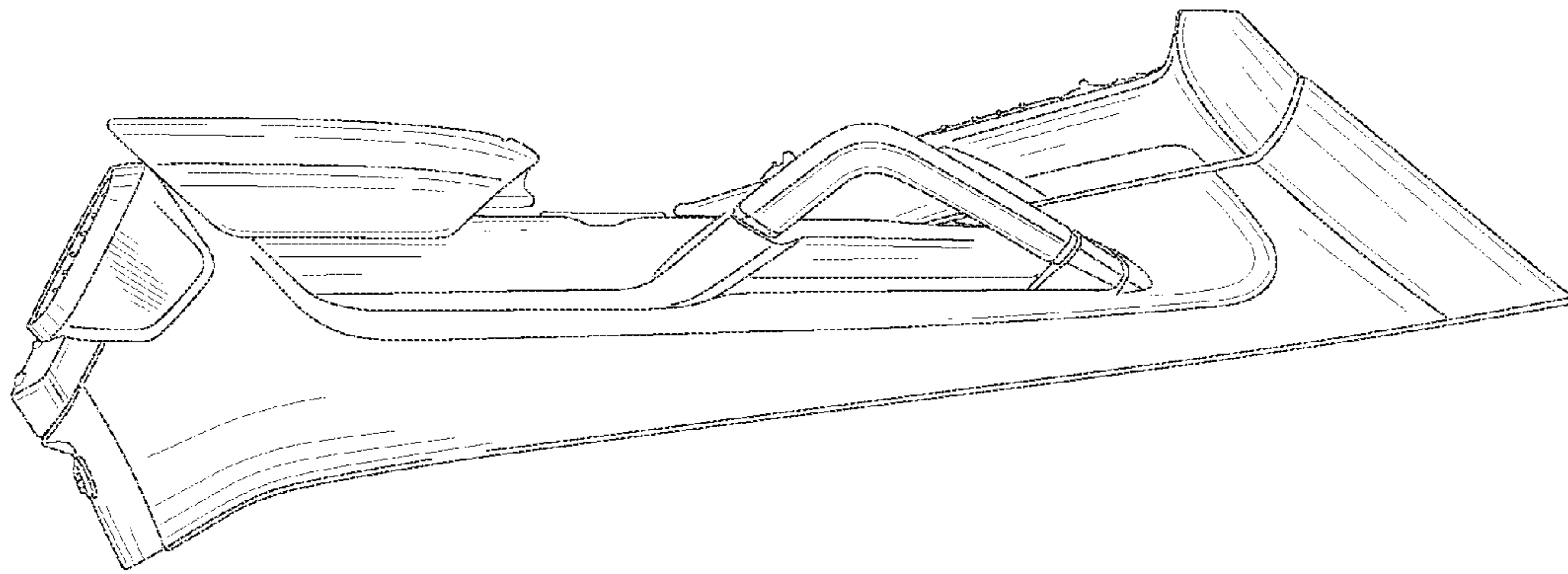


FIG. 3

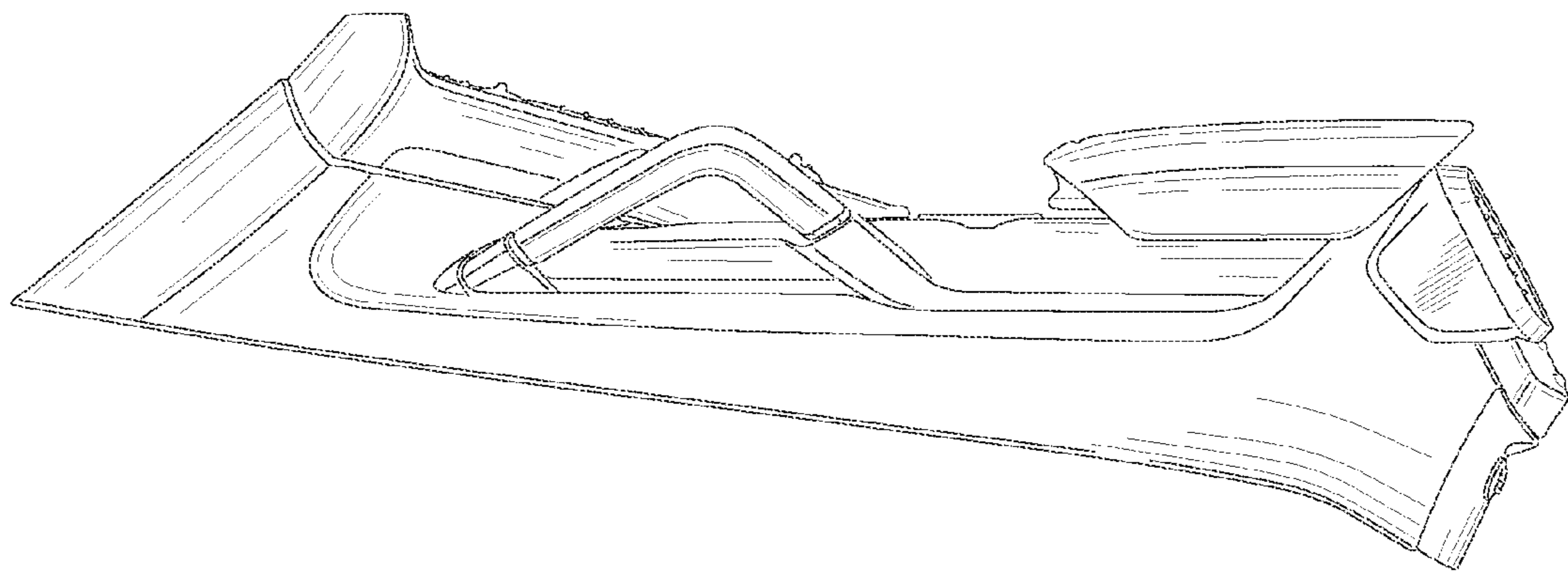


FIG. 4

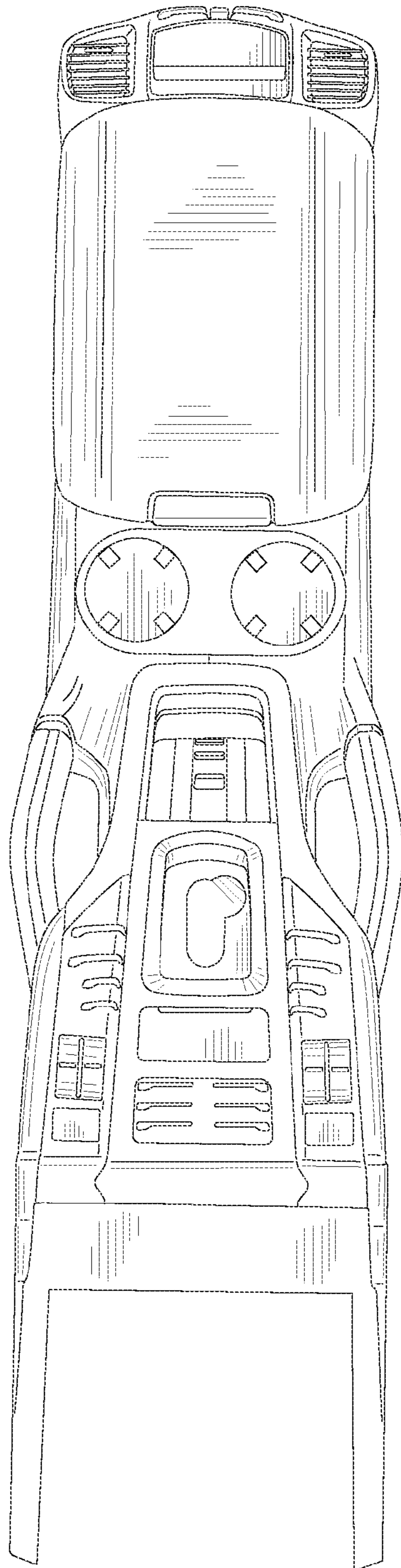


FIG. 5

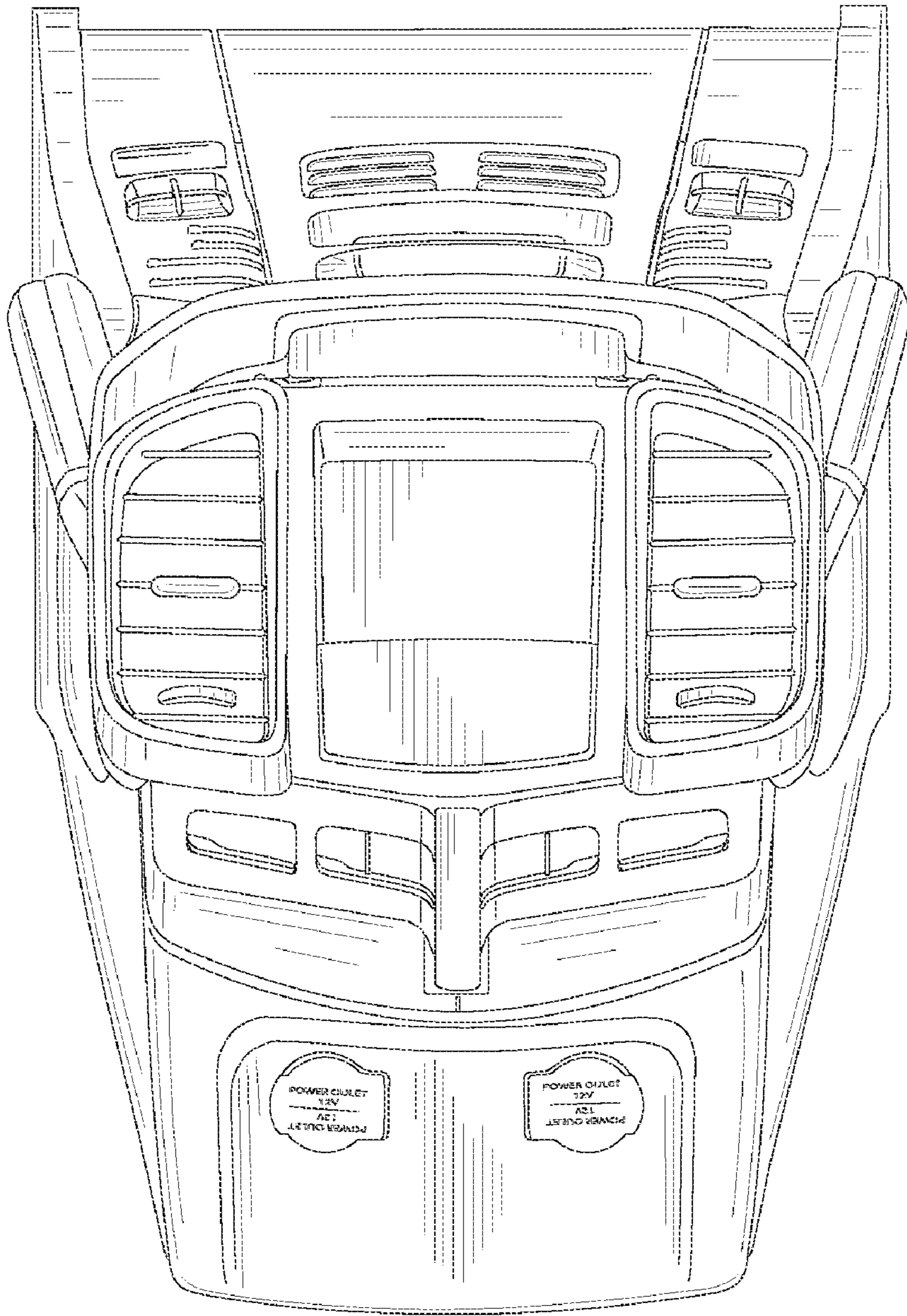


FIG. 6

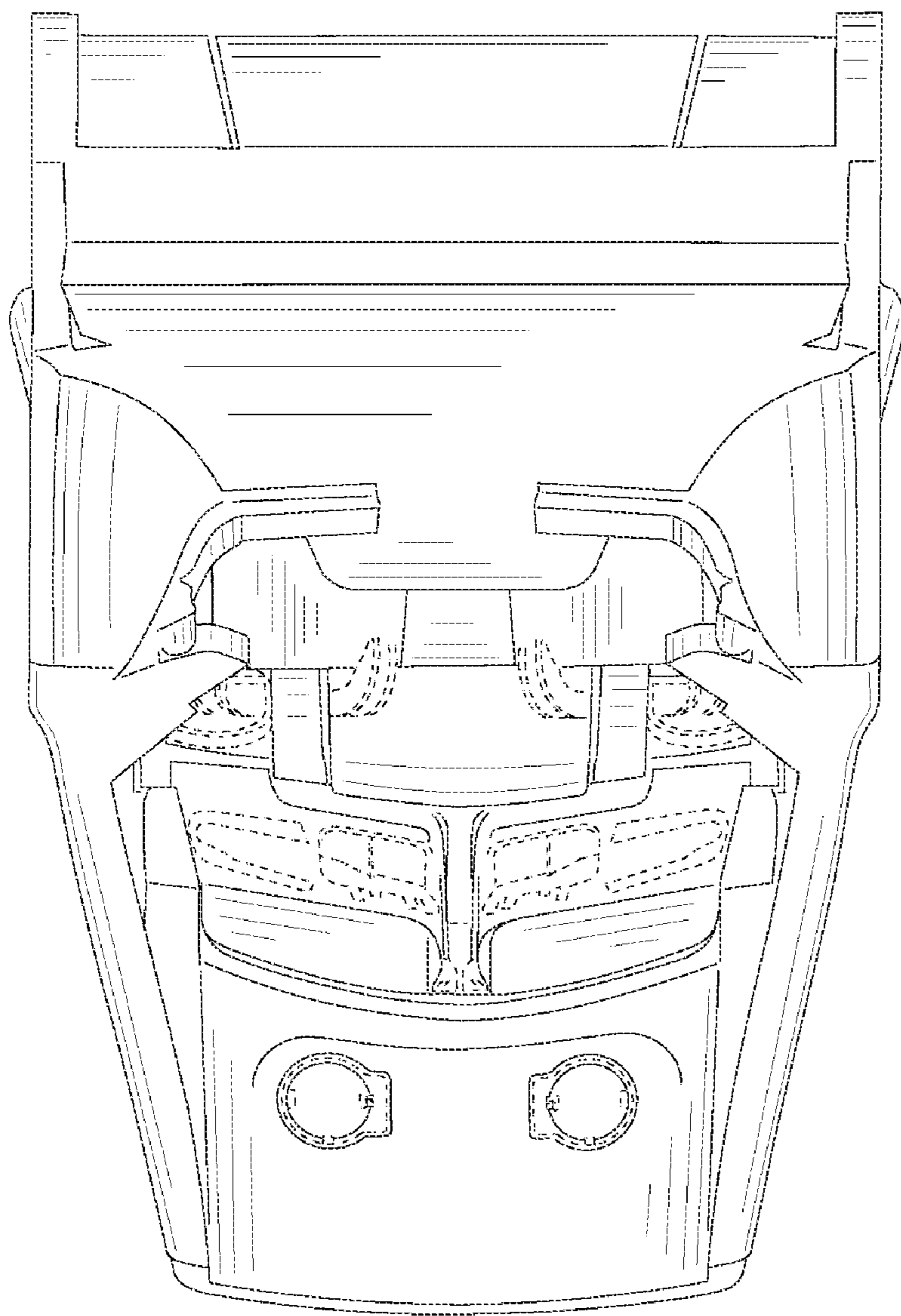


FIG. 7