



US00D632633S

(12) **United States Design Patent**
Masson

(10) **Patent No.:** **US D632,633 S**

(45) **Date of Patent:** **** Feb. 15, 2011**

(54) **PART OF LANDING GEAR**

(75) Inventor: **Richard Masson**, Buc (FR)

(73) Assignee: **Messier-Dowty SA**, Villacoublay (FR)

(**) Term: **14 Years**

(21) Appl. No.: **29/376,624**

(22) Filed: **Oct. 8, 2010**

(30) **Foreign Application Priority Data**

Sep. 4, 2010 (EM) 001692690-0001

(51) **LOC (9) Cl.** **12-07**

(52) **U.S. Cl.** **D12/345**

(58) **Field of Classification Search** D12/345;
244/100 R, 100 A, 102 A, 102 R, 102 SL,
244/102 SS, 104 FP, 17.17

See application file for complete search history.

(56) **References Cited**

U.S. PATENT DOCUMENTS

2,560,030 A * 7/1951 Allen 305/125
2,650,048 A * 8/1953 Woychik 244/108
D270,152 S * 8/1983 Dale D12/345
4,568,045 A * 2/1986 Mayer 244/102 R
4,770,372 A * 9/1988 Ralph 244/102 R

5,062,587 A * 11/1991 Wernicke 244/7 B

5,337,976 A * 8/1994 Derrien 244/102 A

6,824,100 B1 * 11/2004 Cheetham 244/102 R

7,810,755 B2 * 10/2010 Reynes 244/104 FP

* cited by examiner

Primary Examiner—Cathron C. Brooks

Assistant Examiner—Maurice Stevens

(74) *Attorney, Agent, or Firm*—Muncy, Geissler, Olds & Lowe, PLLC

(57) **CLAIM**

The ornamental design for a part of landing gear, as shown and described.

DESCRIPTION

FIG. 1 is a front, right perspective view of a part of landing gear showing my new design;

FIG. 2 is a front elevational view of the part of landing gear;

FIG. 3 is a rear elevational view of the part of landing gear;

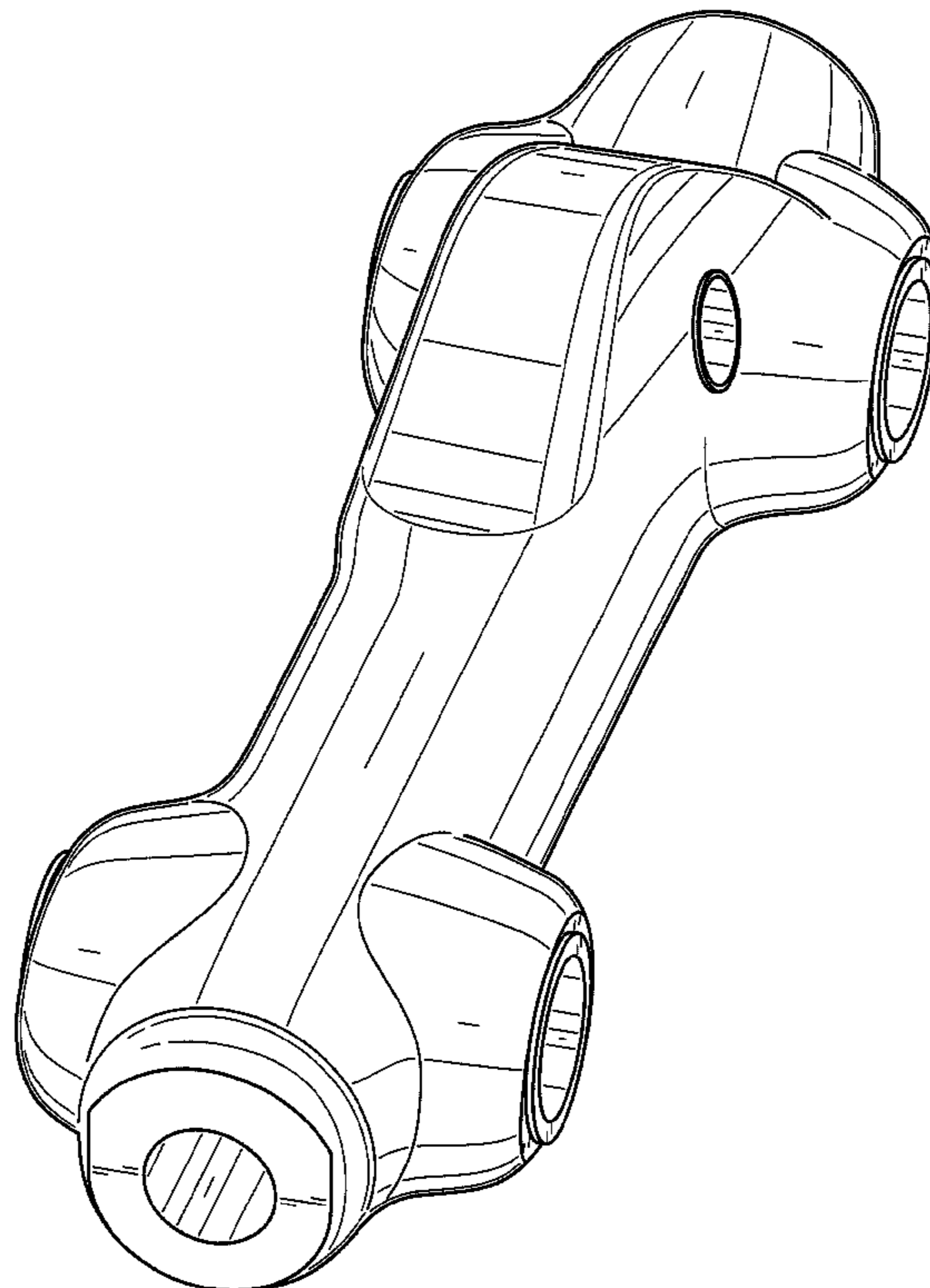
FIG. 4 is a left side view of the part of landing gear;

FIG. 5 is a right side view of the part of landing gear;

FIG. 6 is a top, plan view of the part of landing gear; and,

FIG. 7 is a bottom, plan view of the part of landing gear.

1 Claim, 5 Drawing Sheets



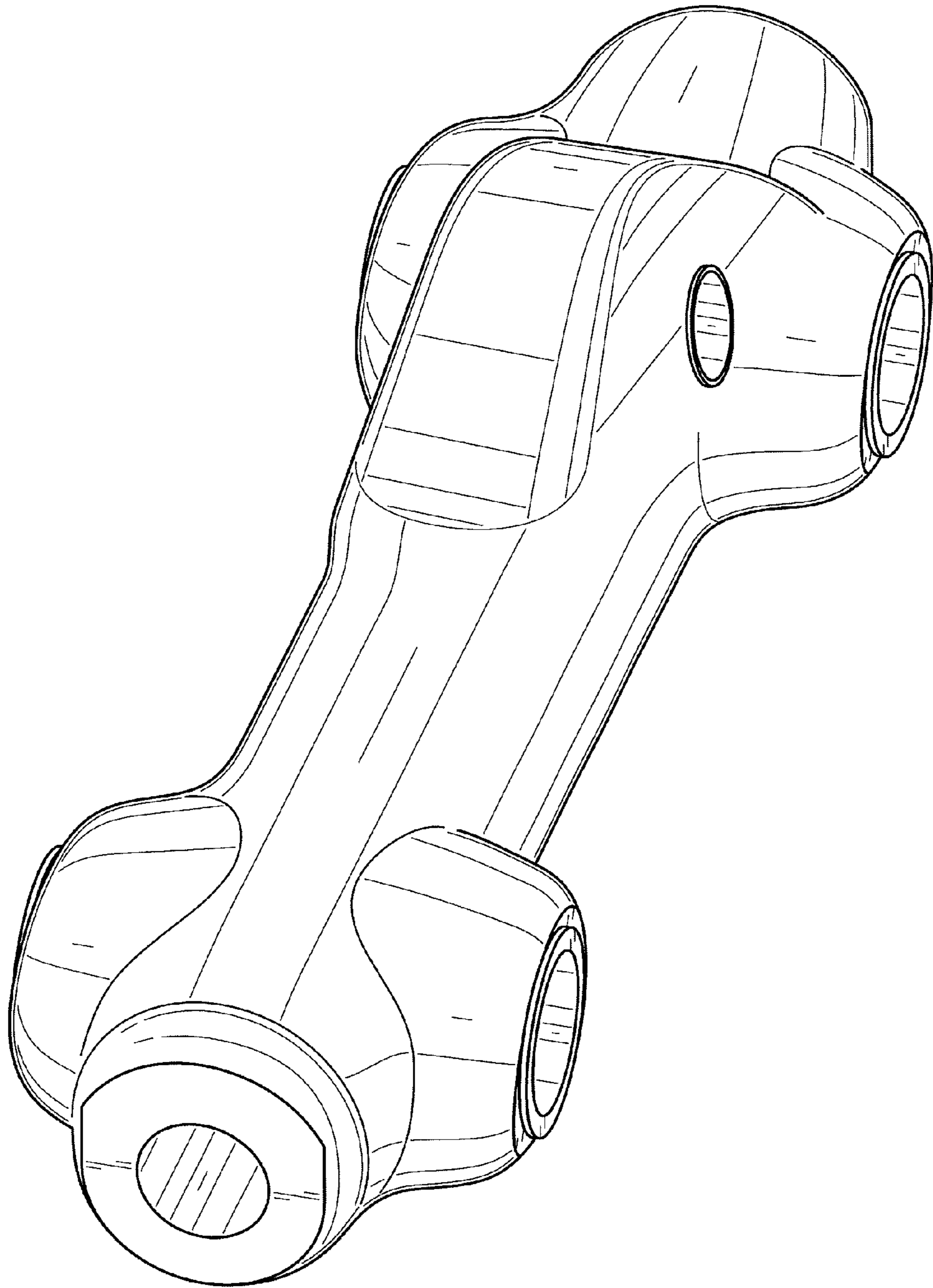


FIG. 1

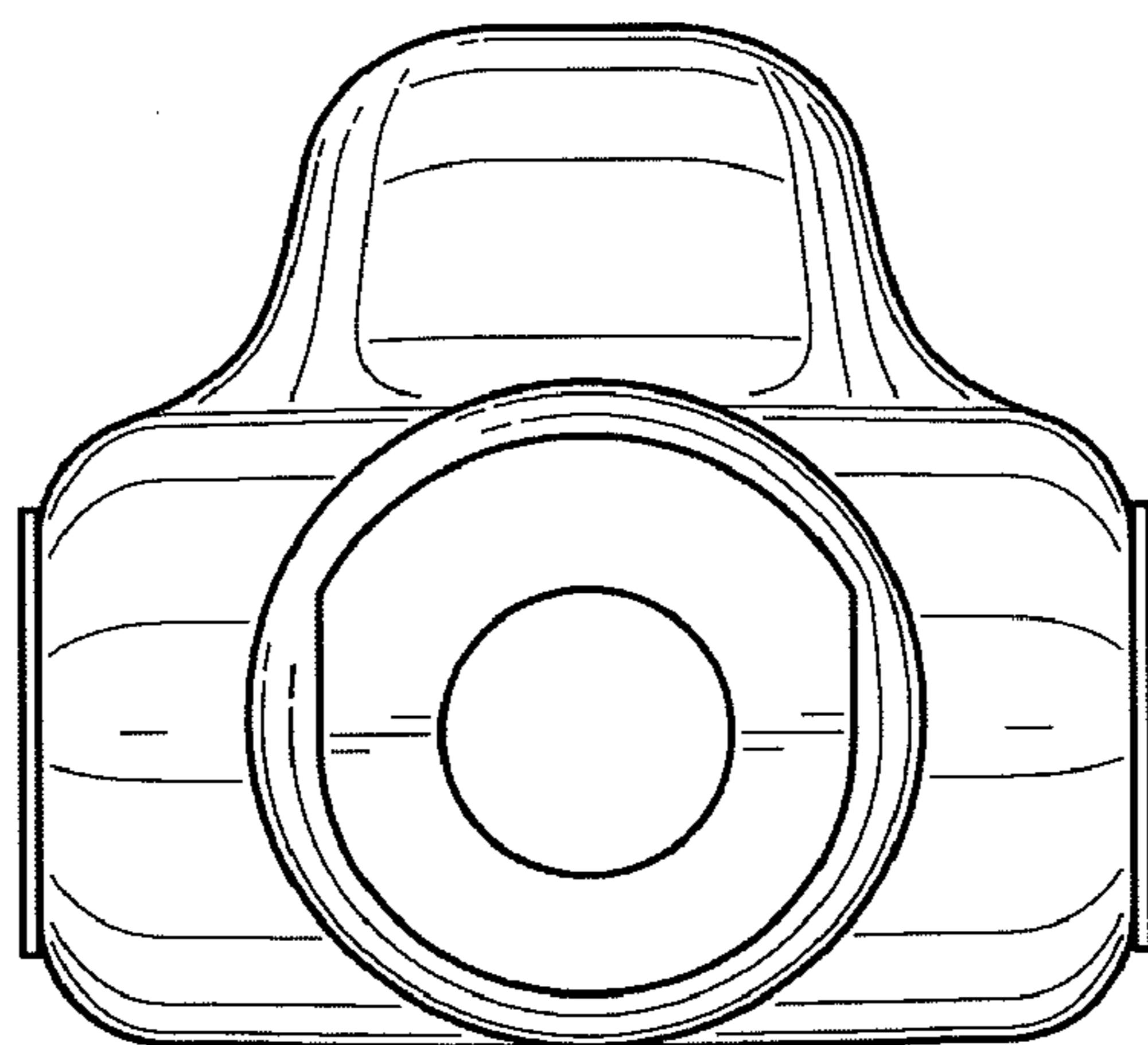


FIG. 2

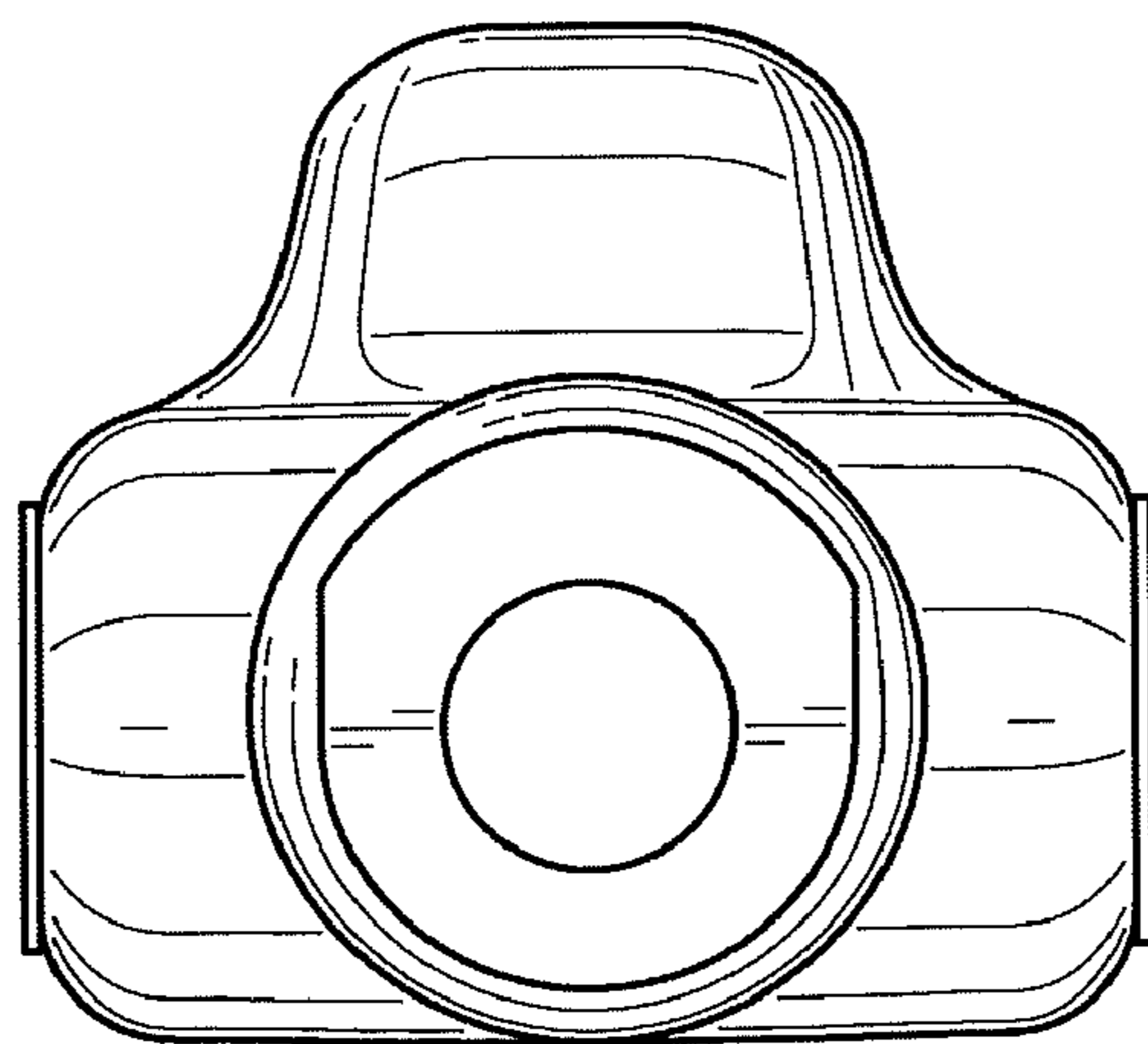


FIG. 3

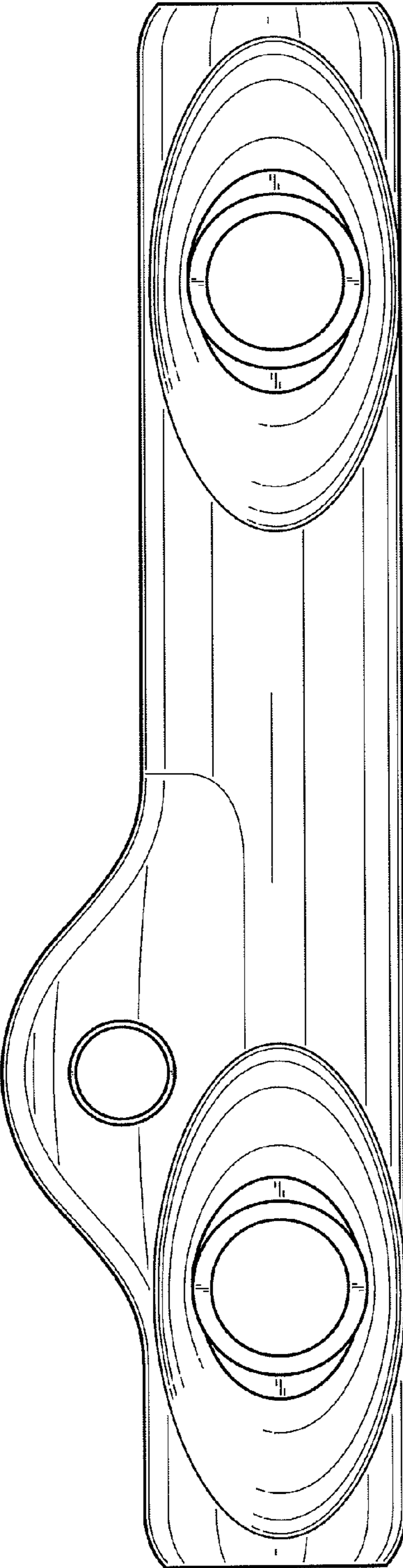


FIG. 4

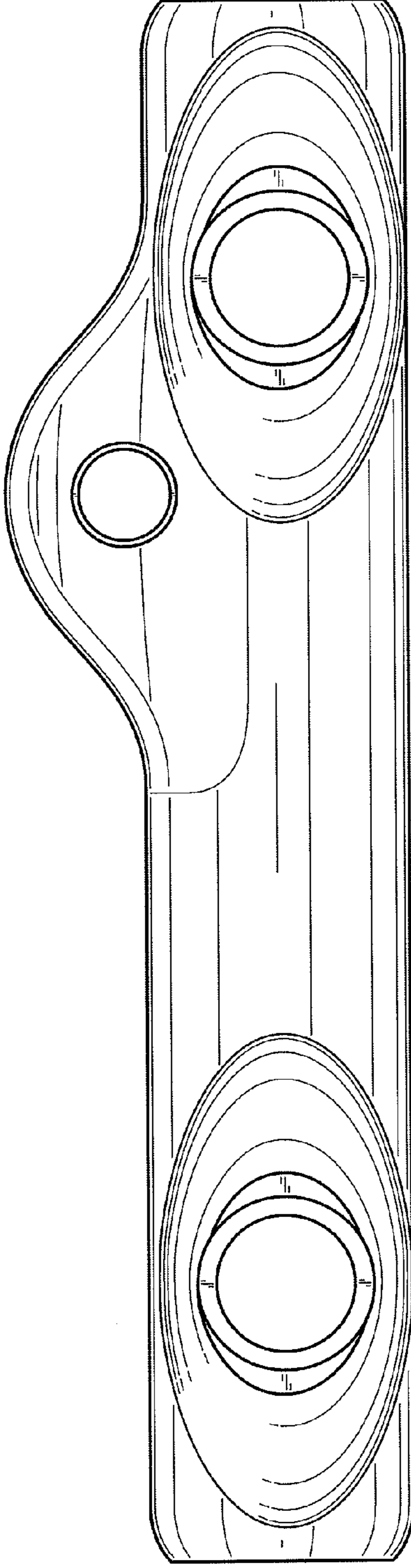


FIG. 5

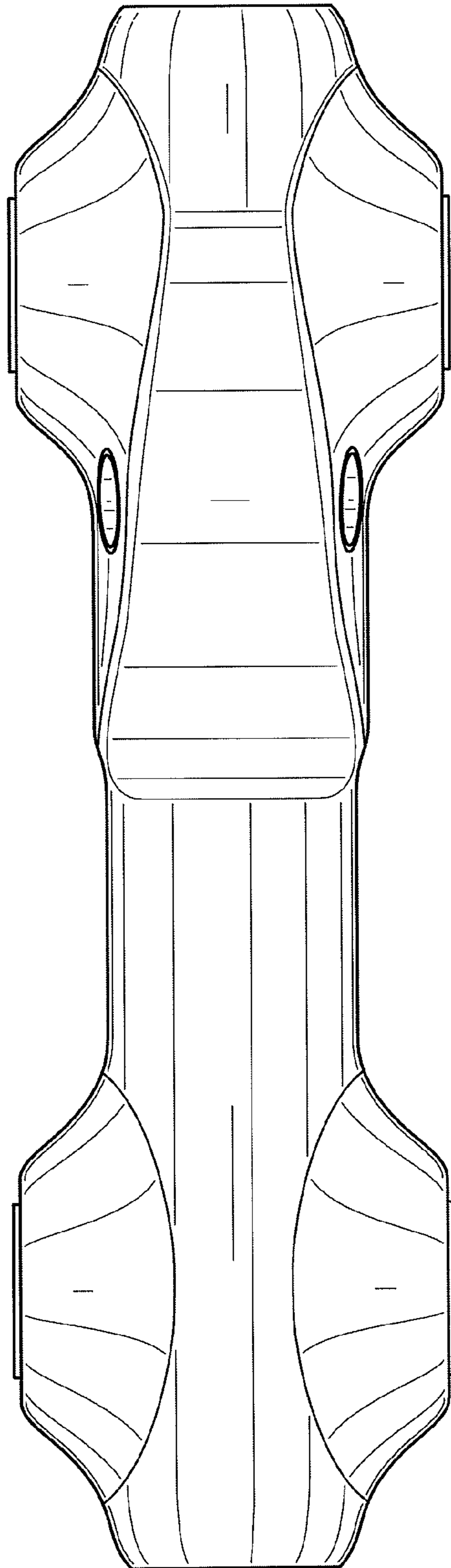


FIG. 6

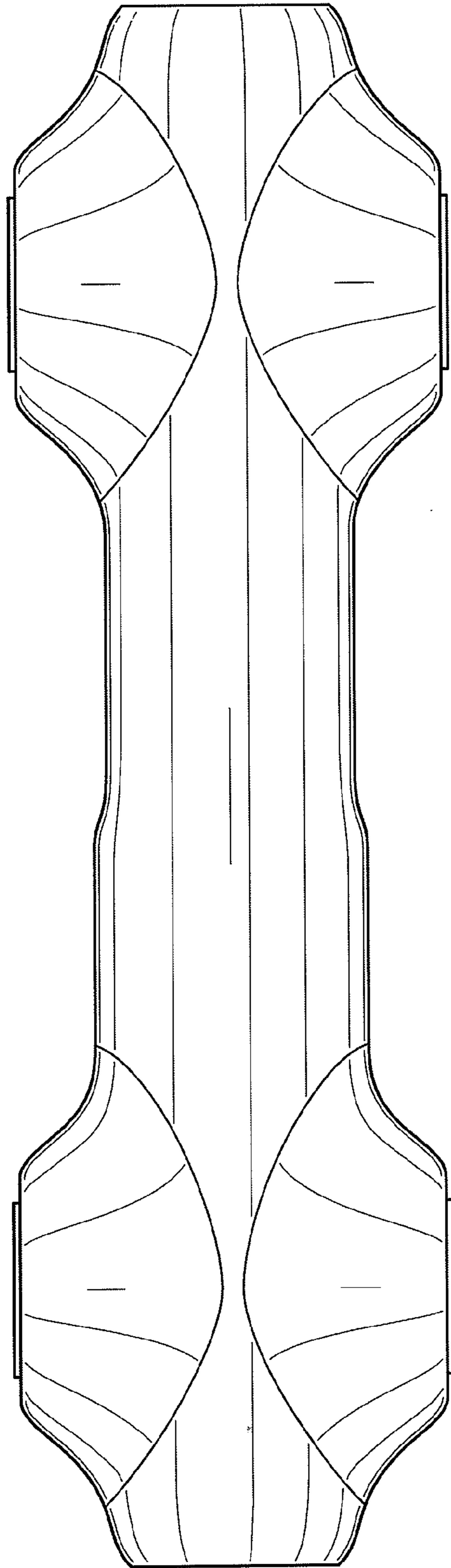


FIG. 7