



US00D632631S

(12) **United States Design Patent**
Quirin et al.

(10) **Patent No.:** **US D632,631 S**

(45) **Date of Patent:** **** Feb. 15, 2011**

(54) **WATERCRAFT**

(75) Inventors: **Luc Quirin**, Bolton (CA); **Jacques Mayrand**, Sherbrooke (CA); **Alexandre Curthelet**, Granby (CA)

(73) Assignee: **BRP US Inc.**, Sturtevant, WI (US)

(**) Term: **14 Years**

(21) Appl. No.: **29/352,562**

(22) Filed: **Dec. 22, 2009**

(51) **LOC (9) Cl.** **12-06**

(52) **U.S. Cl.** **D12/300; D12/317**

(58) **Field of Classification Search** D12/300,
D12/302, 303, 304, 307, 310–314, 316, 317;
114/39.11–39.15, 39.21–39.32, 61.1, 61.2,
114/61.32, 61.33, 62, 355–358, 249, 271,
114/273, 283, 288–291, 292, 343, 363, 364;
D21/542–544, 547

See application file for complete search history.

(56) **References Cited**

U.S. PATENT DOCUMENTS

D375,479 S *	11/1996	Lapointe et al.	D12/307
D390,184 S *	2/1998	Van Skyhawk et al.	D12/300
D400,844 S *	11/1998	Lapointe et al.	D12/307
D409,555 S *	5/1999	Lapointe et al.	D12/300
D459,693 S *	7/2002	Aube et al.	D12/300
D482,648 S *	11/2003	Eck et al.	D12/300
D487,883 S *	3/2004	Bills et al.	D12/317
D509,469 S *	9/2005	Longpre et al.	D12/300
D523,388 S *	6/2006	Plumb	D12/300
D524,224 S *	7/2006	Guay et al.	D12/300

* cited by examiner

Primary Examiner—Cynthia M Chin

(74) *Attorney, Agent, or Firm*—Osler, Hoskin & Harcourt LLP

(57) **CLAIM**

The ornamental design for a watercraft, as shown and described.

DESCRIPTION

FIG. 1 is a front, top, right perspective view showing a watercraft according to our design;

FIG. 2 is a front, right perspective view thereof;

FIG. 3 is a rear, left perspective view thereof;

FIG. 4 is a front elevation view thereof;

FIG. 5 is a rear elevation view thereof;

FIG. 6 is a right side elevation view thereof;

FIG. 7 is a left side elevation view thereof;

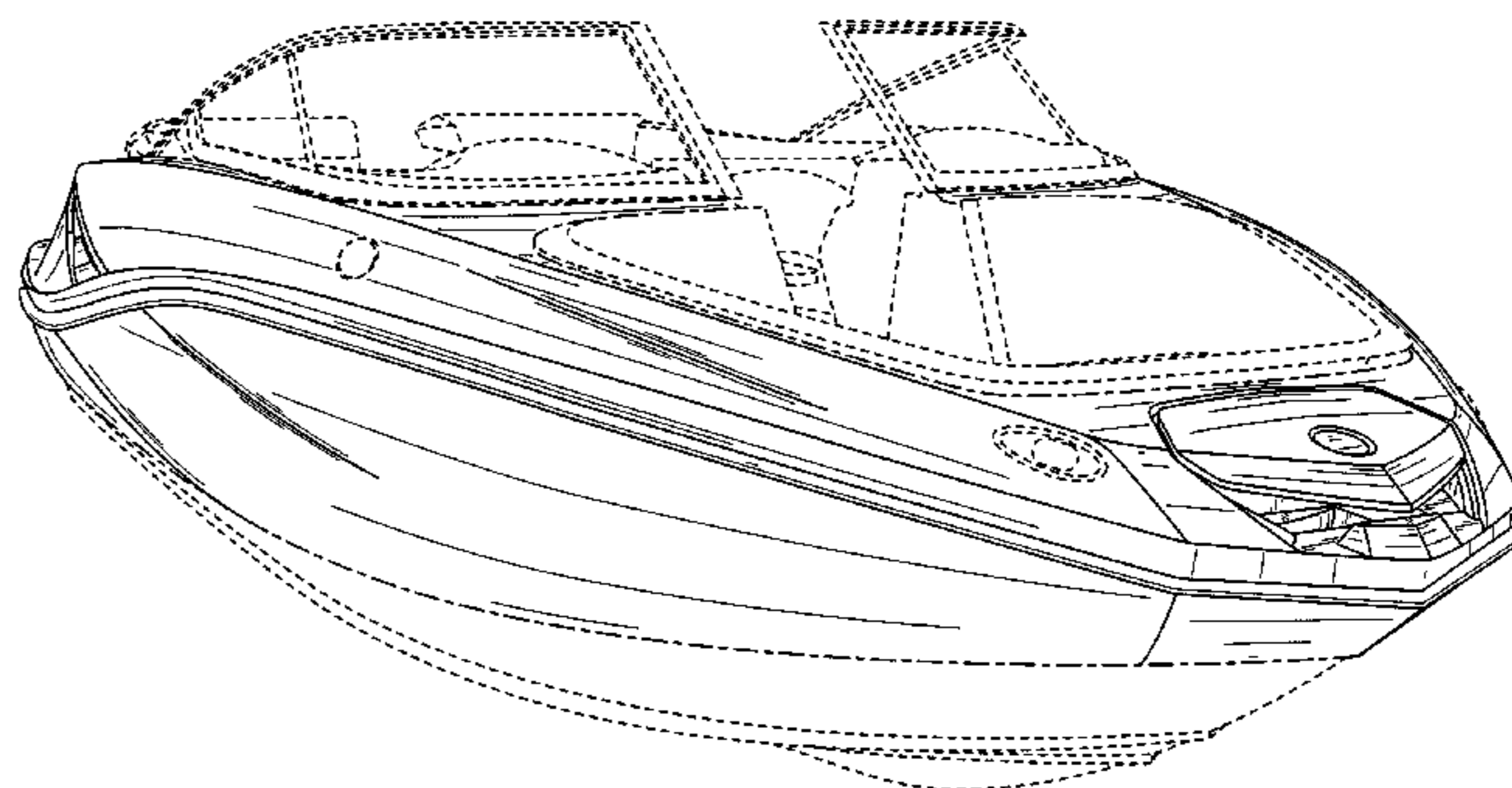
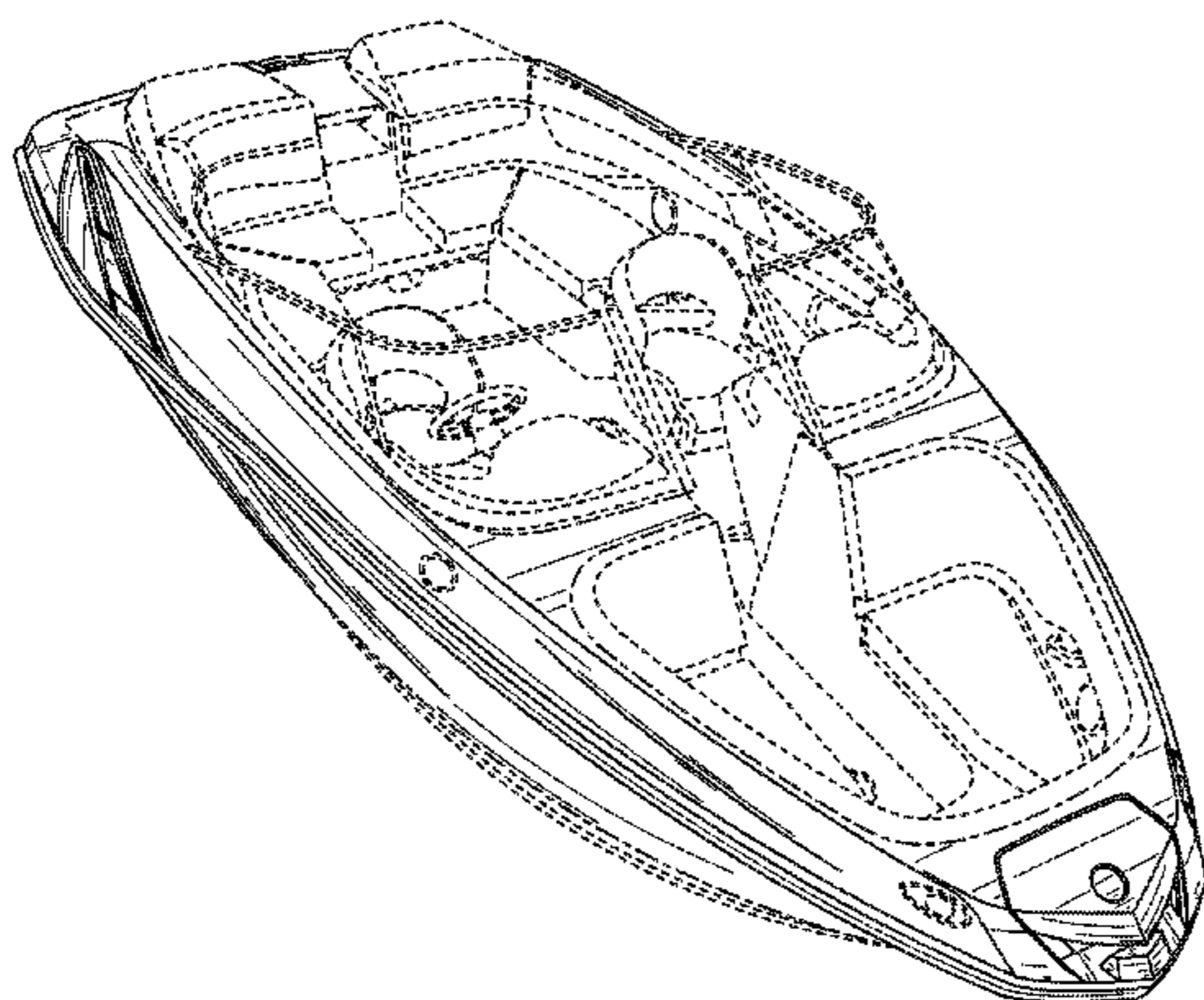
FIG. 8 is a top plan view thereof;

FIG. 9 is a bottom plan view thereof; and,

FIG. 10 is a top, right perspective view thereof.

Throughout the Figures, where shown, the dotted lines showing additional structure of the watercraft are for illustrative purposes only and form no part of the claimed design. In FIGS. 1 to 10, the dotted/dashed lines adjacent shaded surfaces or immediately adjacent solid lines represent unclaimed boundaries of the claimed design and as such, the configuration of the unshaded surfaces defined in whole or in part by those dotted/dashed and/or by dotted lines form no part of the claimed design.

1 Claim, 9 Drawing Sheets



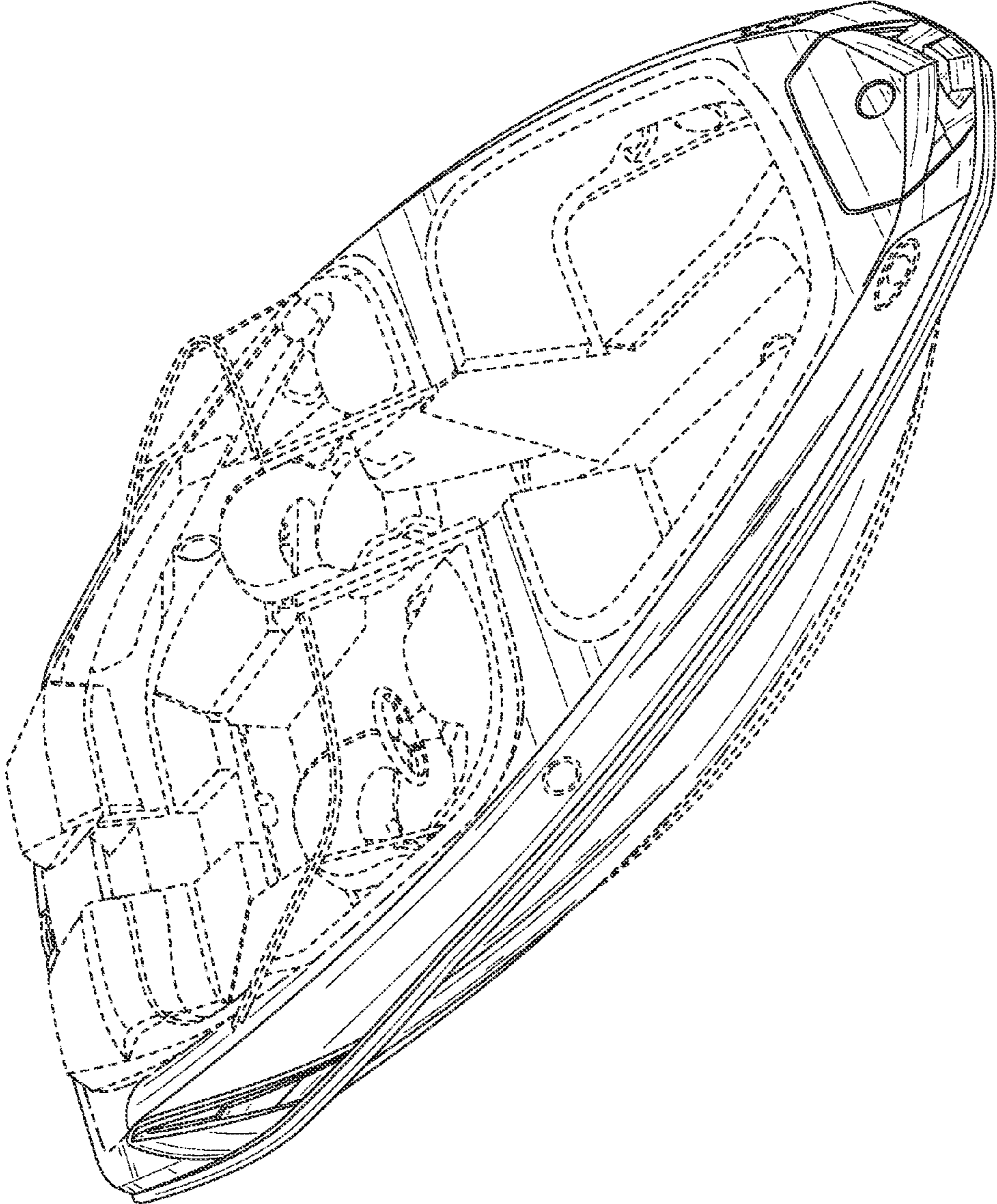


FIG. 1

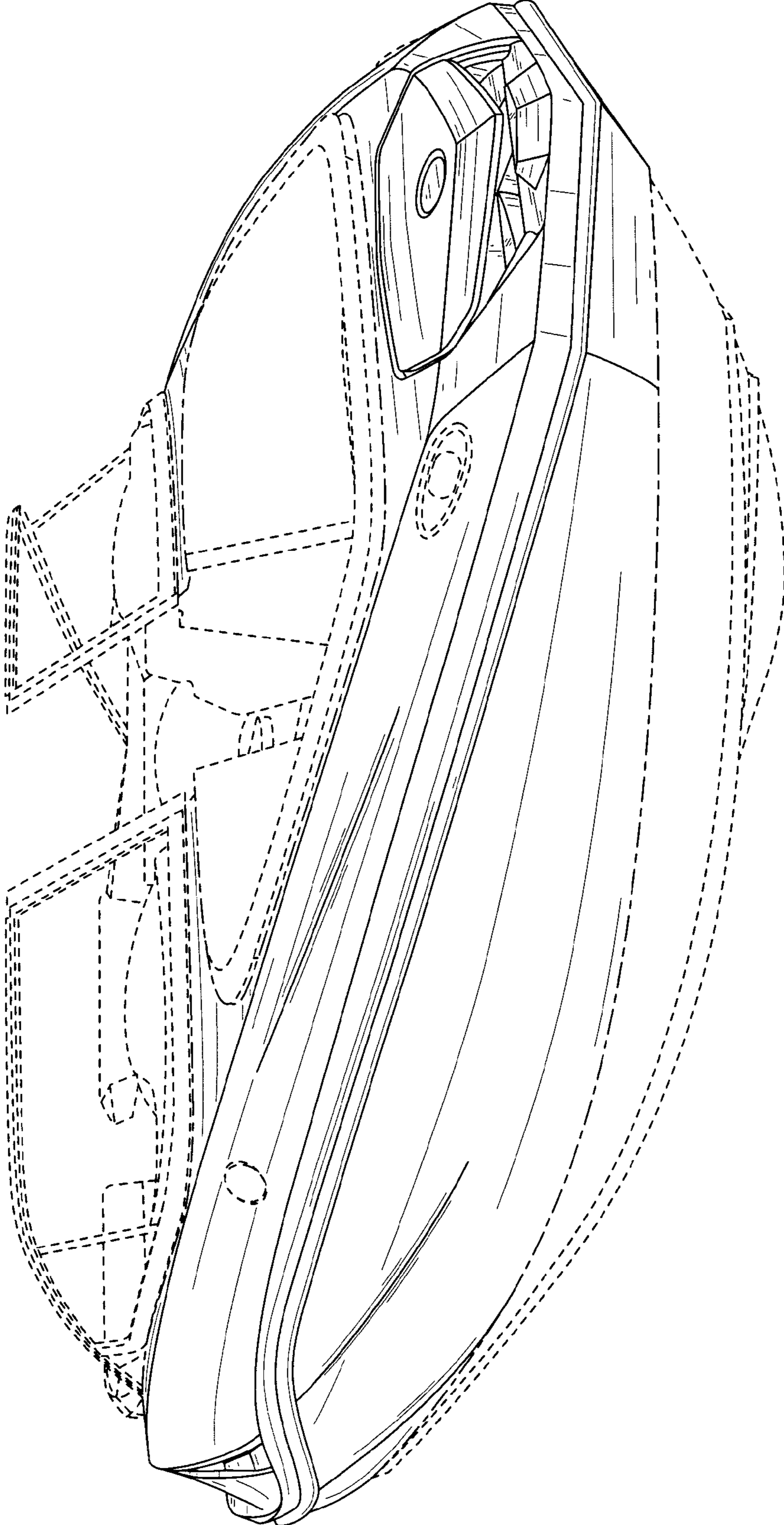


FIG. 2

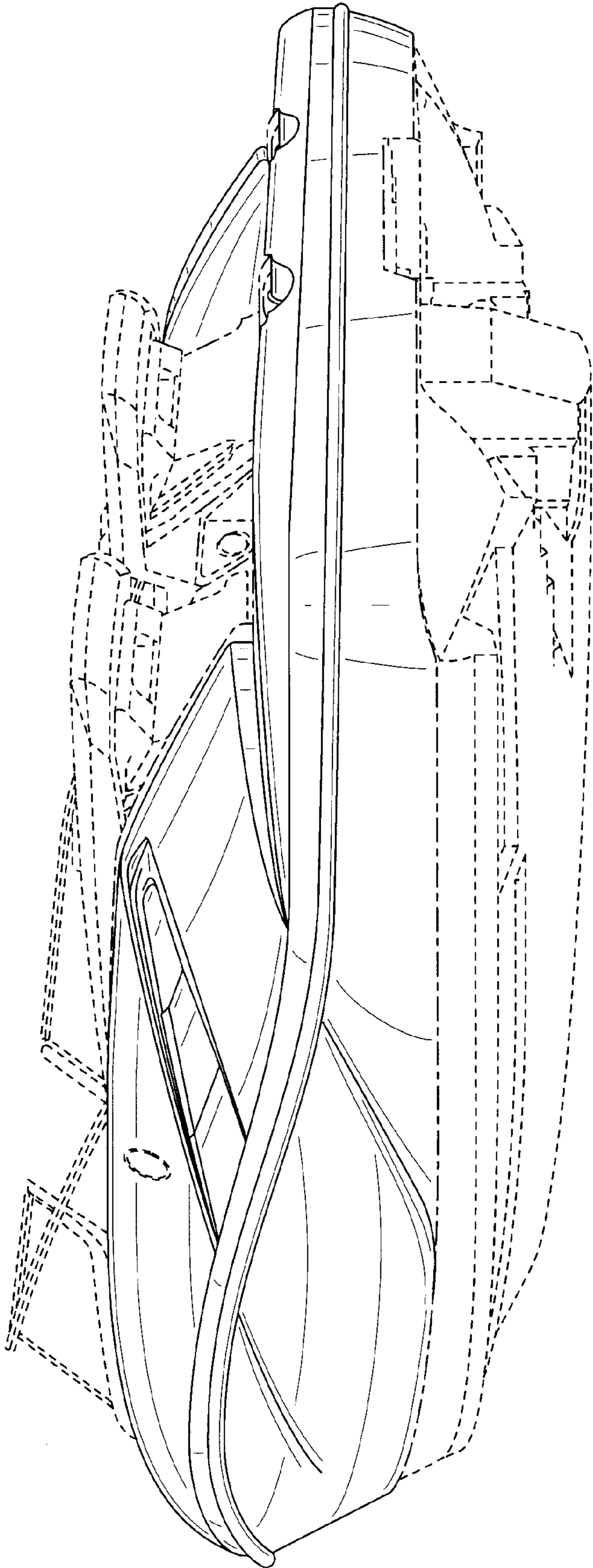


FIG. 3

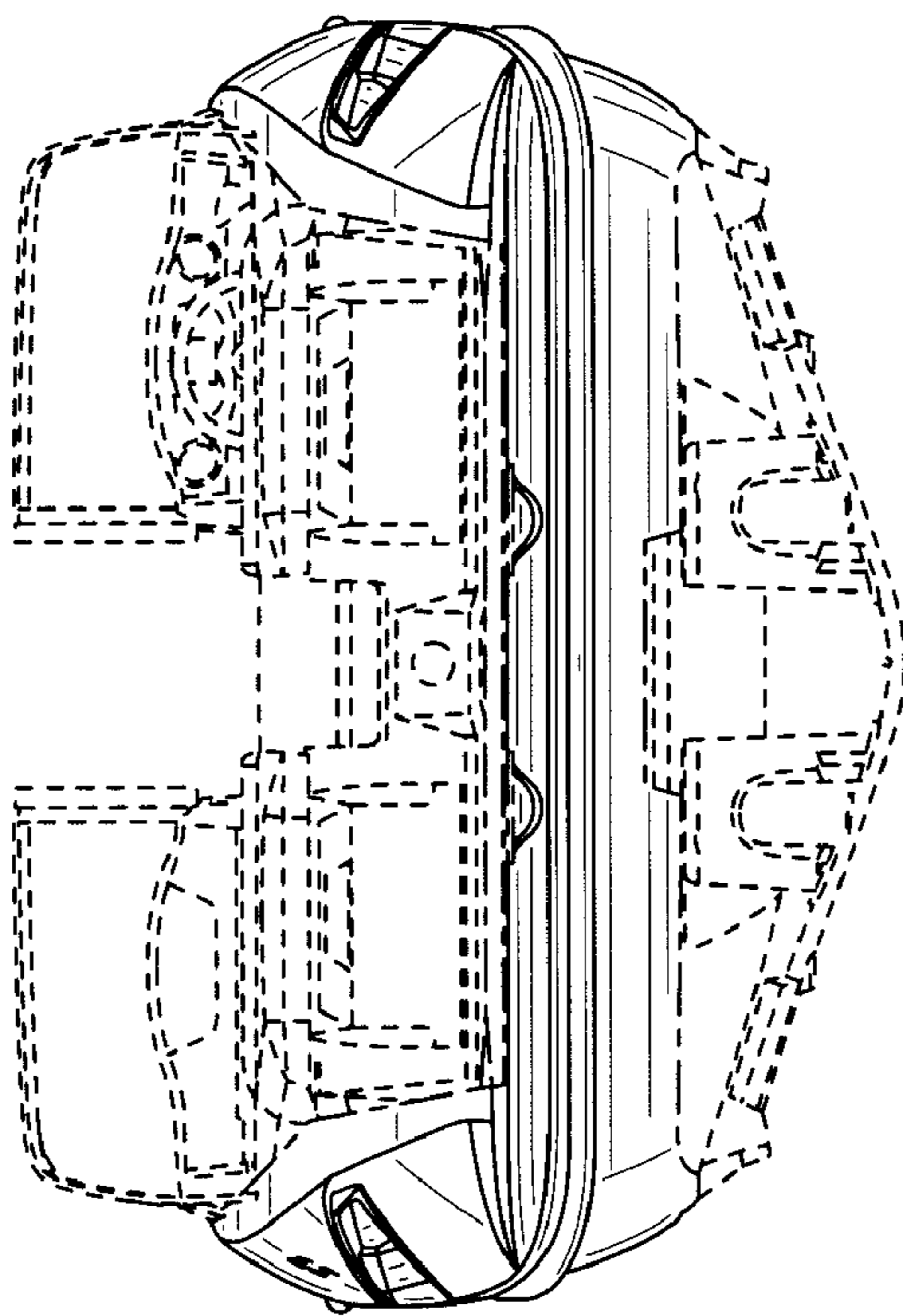


FIG. 5

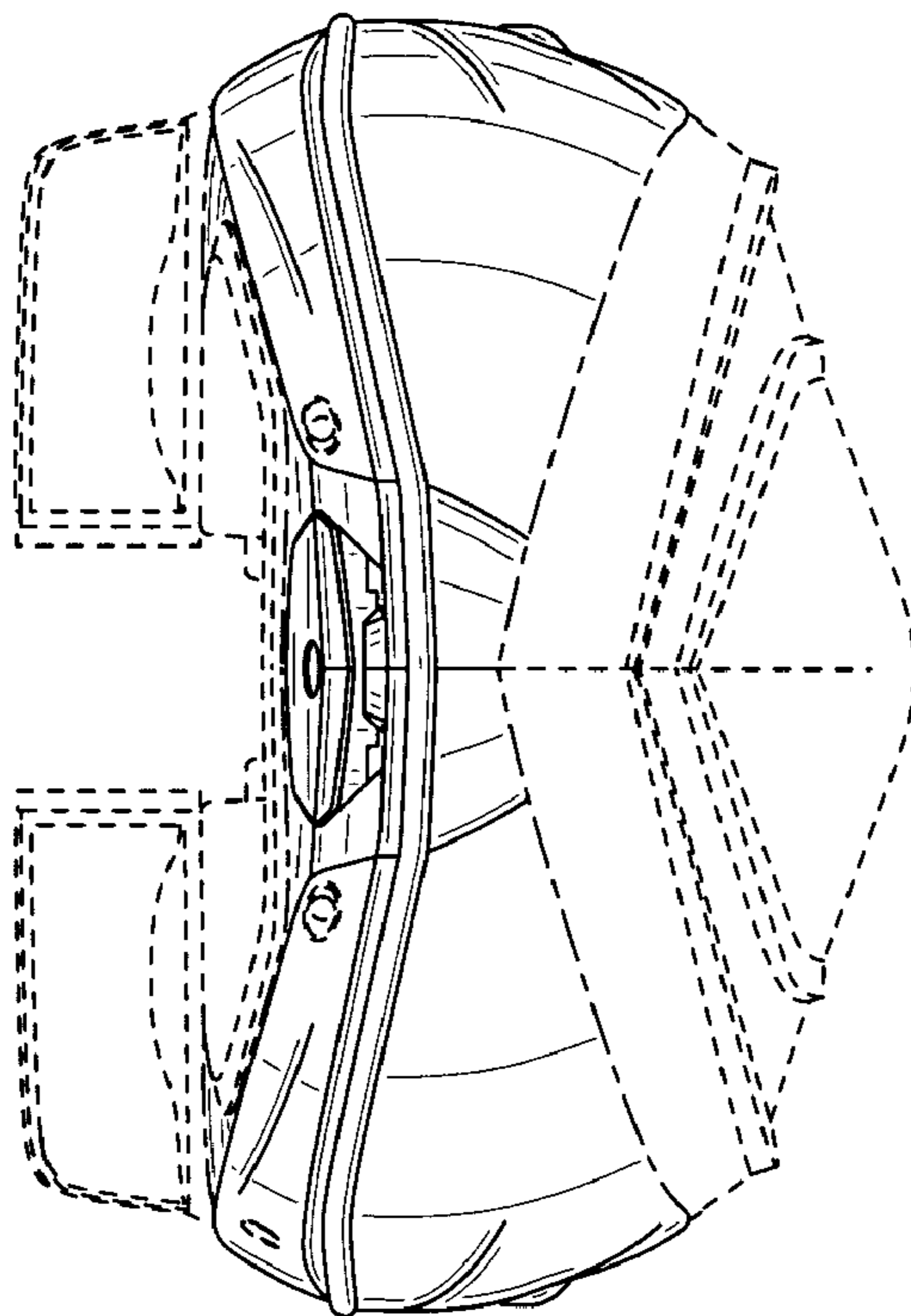


FIG. 4

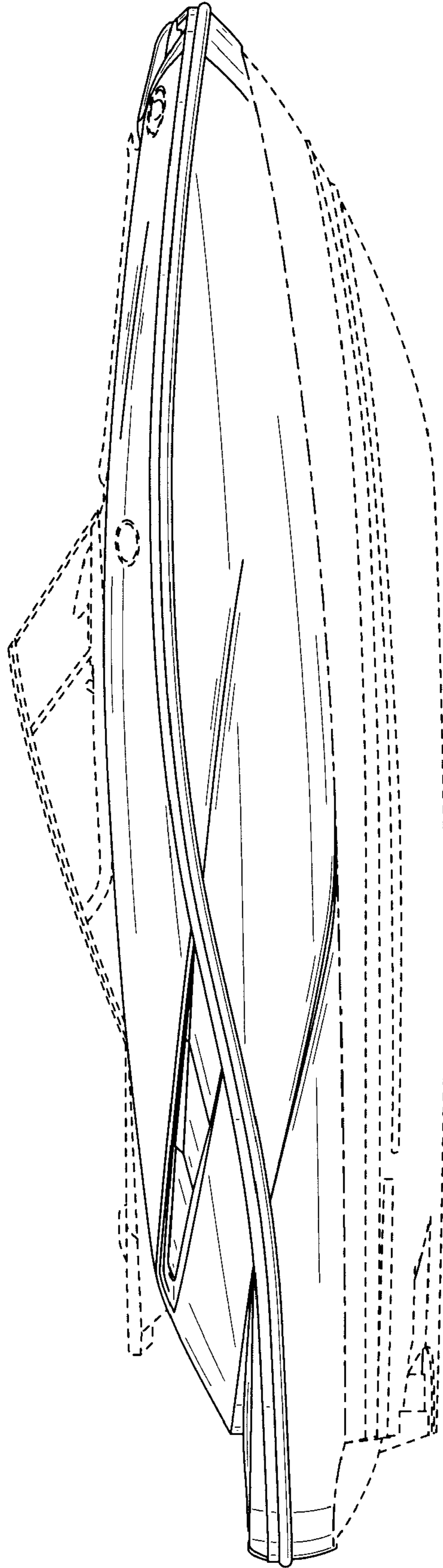


FIG. 6

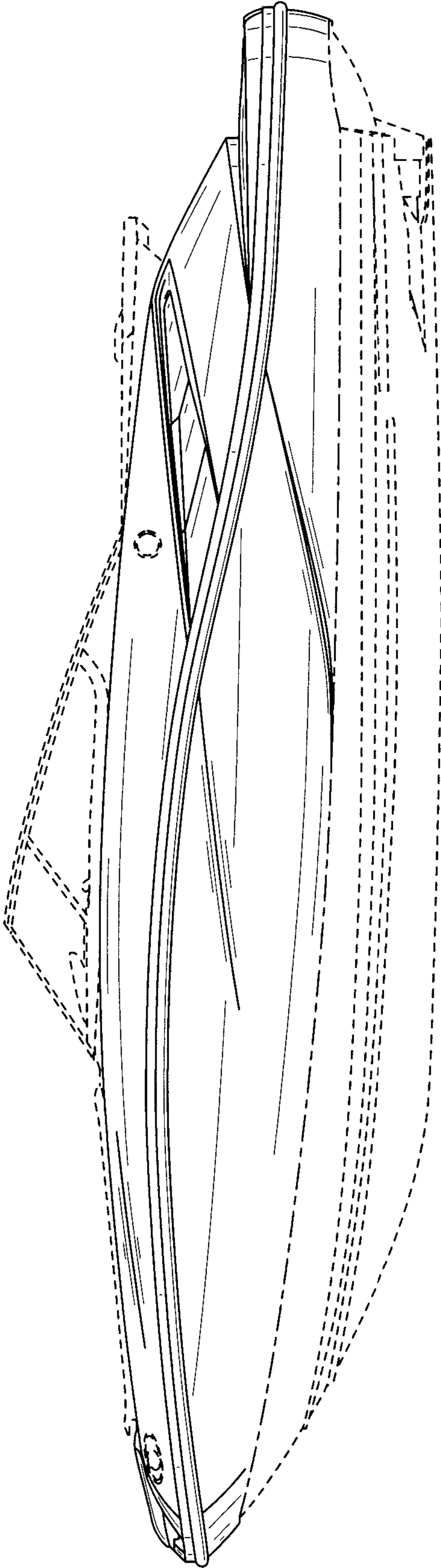


FIG. 7

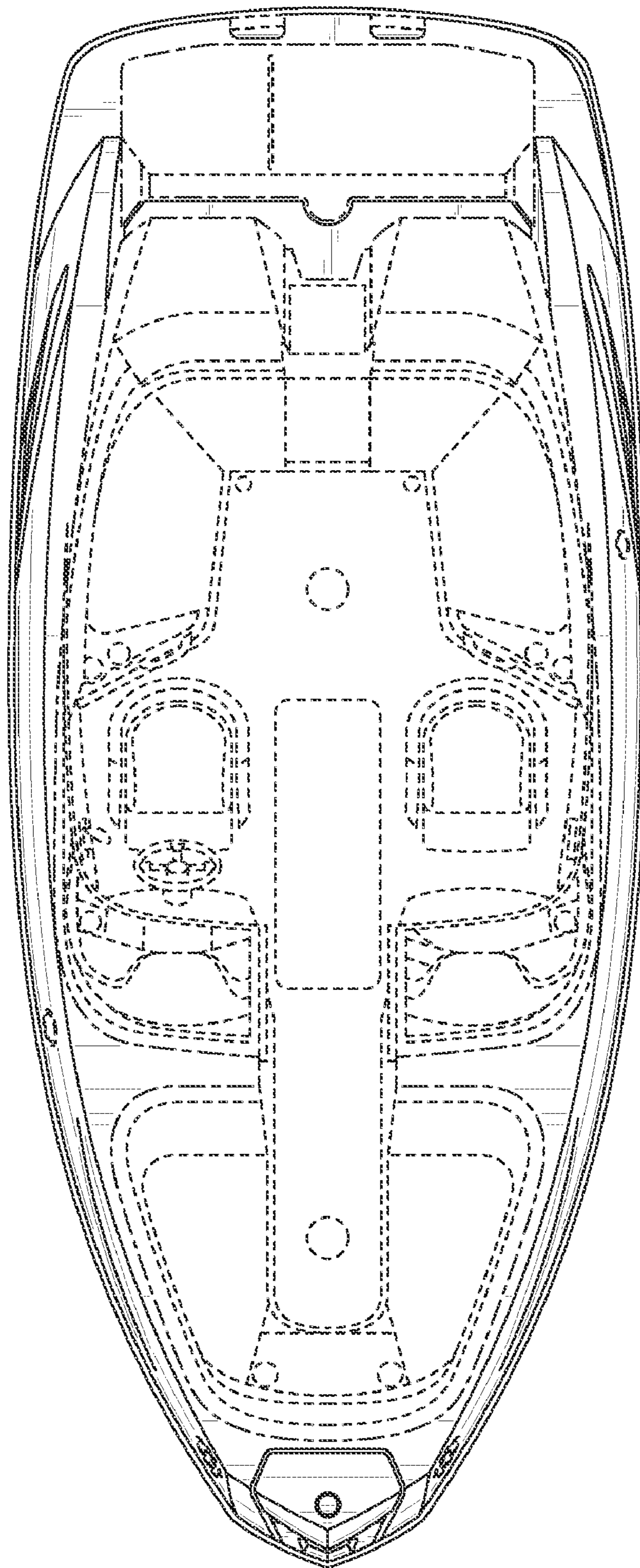


FIG. 8

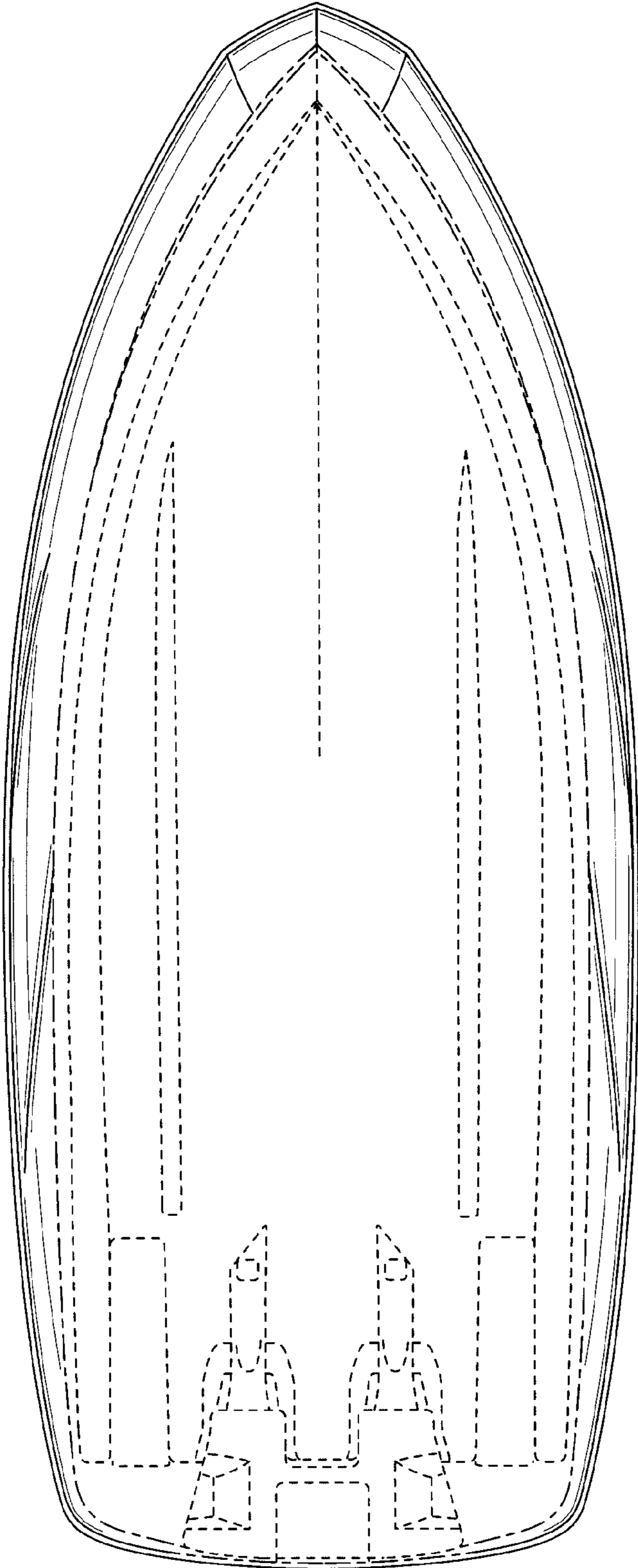


FIG. 9

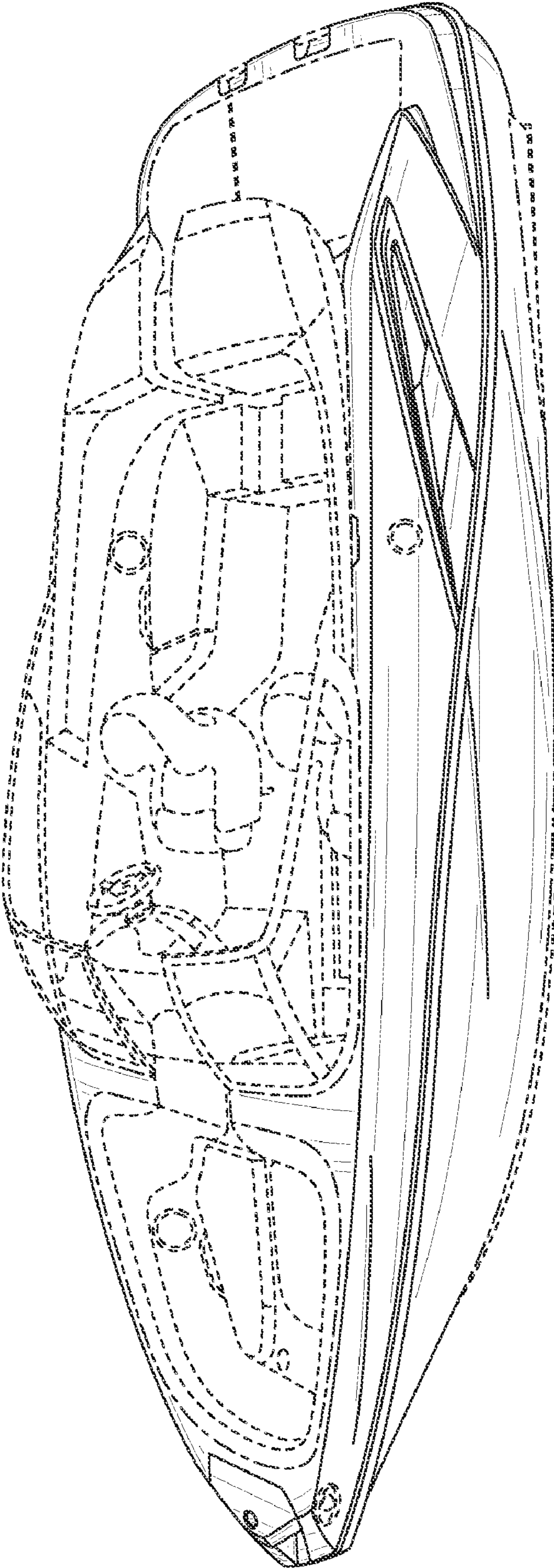


FIG. 10

UNITED STATES PATENT AND TRADEMARK OFFICE
CERTIFICATE OF CORRECTION

PATENT NO. : D632,631 S
APPLICATION NO. : 29/352562
DATED : February 15, 2011
INVENTOR(S) : Quirin et al.

Page 1 of 11

It is certified that error appears in the above-identified patent and that said Letters Patent is hereby corrected as shown below:

The title page showing the illustrative figures should be deleted to be replaced with the attached title page.

In the drawing sheets, consisting of Figs. 1 - 10, should be deleted to be replaced with the drawing sheets, consisting of Figs. 1 - 10, as shown on the attached pages.

Signed and Sealed this
Ninth Day of August, 2011

A handwritten signature in black ink that reads "David J. Kappos". The signature is written in a cursive, slightly slanted style.

David J. Kappos
Director of the United States Patent and Trademark Office

(12) **United States Design Patent**
Quirin et al.

(10) **Patent No.:** **US D632,631 S**
(45) **Date of Patent:** **** Feb. 15, 2011**

(54) **WATERCRAFT**

(75) Inventors: **Luc Quirin**, Bolton (CA); **Jacques Mayrand**, Sherbrooke (CA); **Alexandre Curthelet**, Granby (CA)

(73) Assignee: **BRP US Inc.**, Sturtevant, WI (US)

(**) Term: **14 Years**

(21) Appl. No.: **29/352,562**

(22) Filed: **Dec. 22, 2009**

(51) **LOC (9) Cl.** **12-06**

(52) **U.S. Cl.** **D12/300; D12/317**

(58) **Field of Classification Search** **D12/300,**
D12/302, 303, 304, 307, 310-314, 316, 317;
114/39.11-39.15, 39.21-39.32, 61.1, 61.2,
114/61.32, 61.33, 62, 355-358, 249, 271,
114/273, 283, 288-291, 292, 343, 363, 364;
D21/542-544, 547

See application file for complete search history.

(56) **References Cited**

U.S. PATENT DOCUMENTS

D375,479 S *	11/1996	Lapointe et al.	D12/307
D390,184 S *	2/1998	Van Skyhawk et al.	D12/300
D400,844 S *	11/1998	Lapointe et al.	D12/307
D409,555 S *	5/1999	Lapointe et al.	D12/300
D459,693 S *	7/2002	Aube et al.	D12/300
D482,648 S *	11/2003	Eck et al.	D12/300
D487,883 S *	3/2004	Bills et al.	D12/317
D509,469 S *	9/2005	Longpre et al.	D12/300
D523,388 S *	6/2006	Plumb	D12/300
D524,224 S *	7/2006	Guay et al.	D12/300

* cited by examiner

Primary Examiner—Cynthia M Chin
(74) *Attorney, Agent, or Firm—Osler, Hoskin & Harcourt LLP*

(57) **CLAIM**

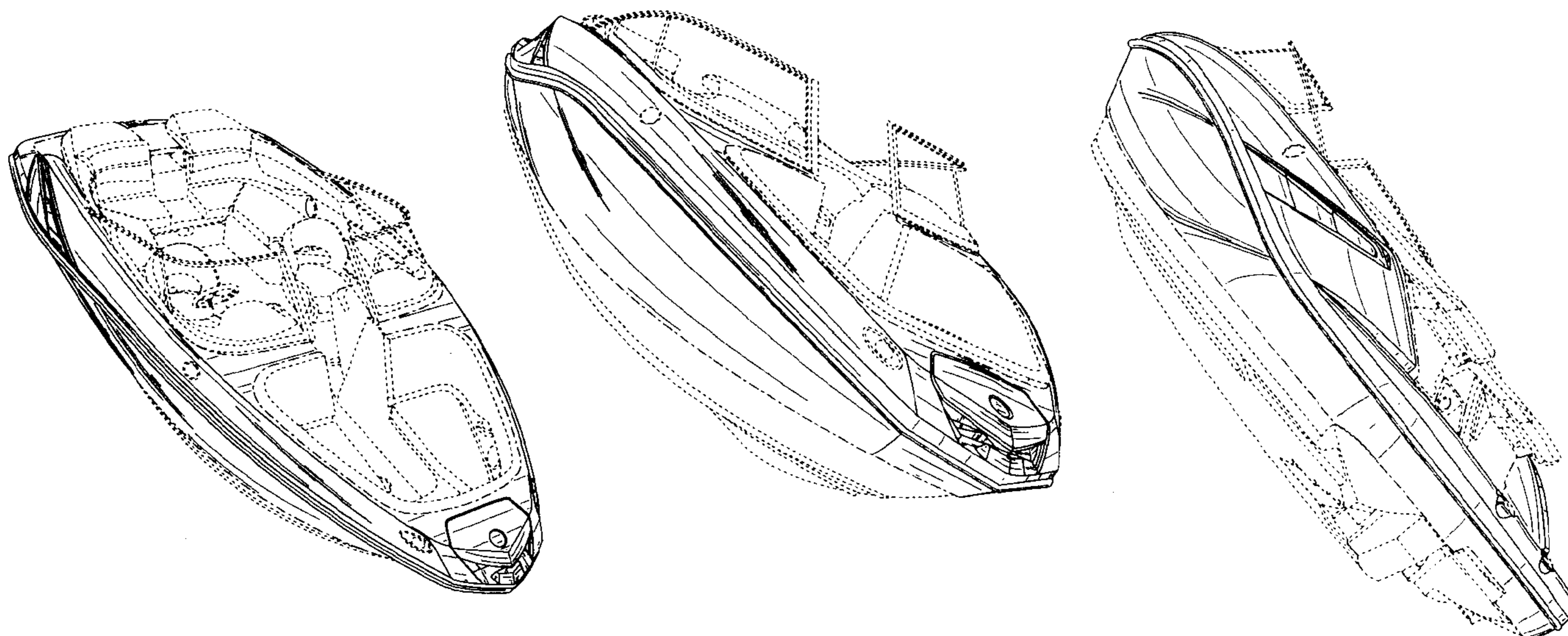
The ornamental design for a watercraft, as shown and described.

DESCRIPTION

FIG. 1 is a front, top, right perspective view showing a watercraft according to our design;
FIG. 2 is a front, right perspective view thereof;
FIG. 3 is a rear, left perspective view thereof;
FIG. 4 is a front elevation view thereof;
FIG. 5 is a rear elevation view thereof;
FIG. 6 is a right side elevation view thereof;
FIG. 7 is a left side elevation view thereof;
FIG. 8 is a top plan view thereof;
FIG. 9 is a bottom plan view thereof; and,
FIG. 10 is a top, right perspective view thereof.

Throughout the Figures, where shown, the dotted lines showing additional structure of the watercraft are for illustrative purposes only and form no part of the claimed design. In FIGS. 1 to 10, the dotted/dashed lines adjacent shaded surfaces or immediately adjacent solid lines represent unclaimed boundaries of the claimed design and as such, the configuration of the unshaded surfaces defined in whole or in part by those dotted/dashed and/or by dotted lines form no part of the claimed design.

1 Claim, 9 Drawing Sheets



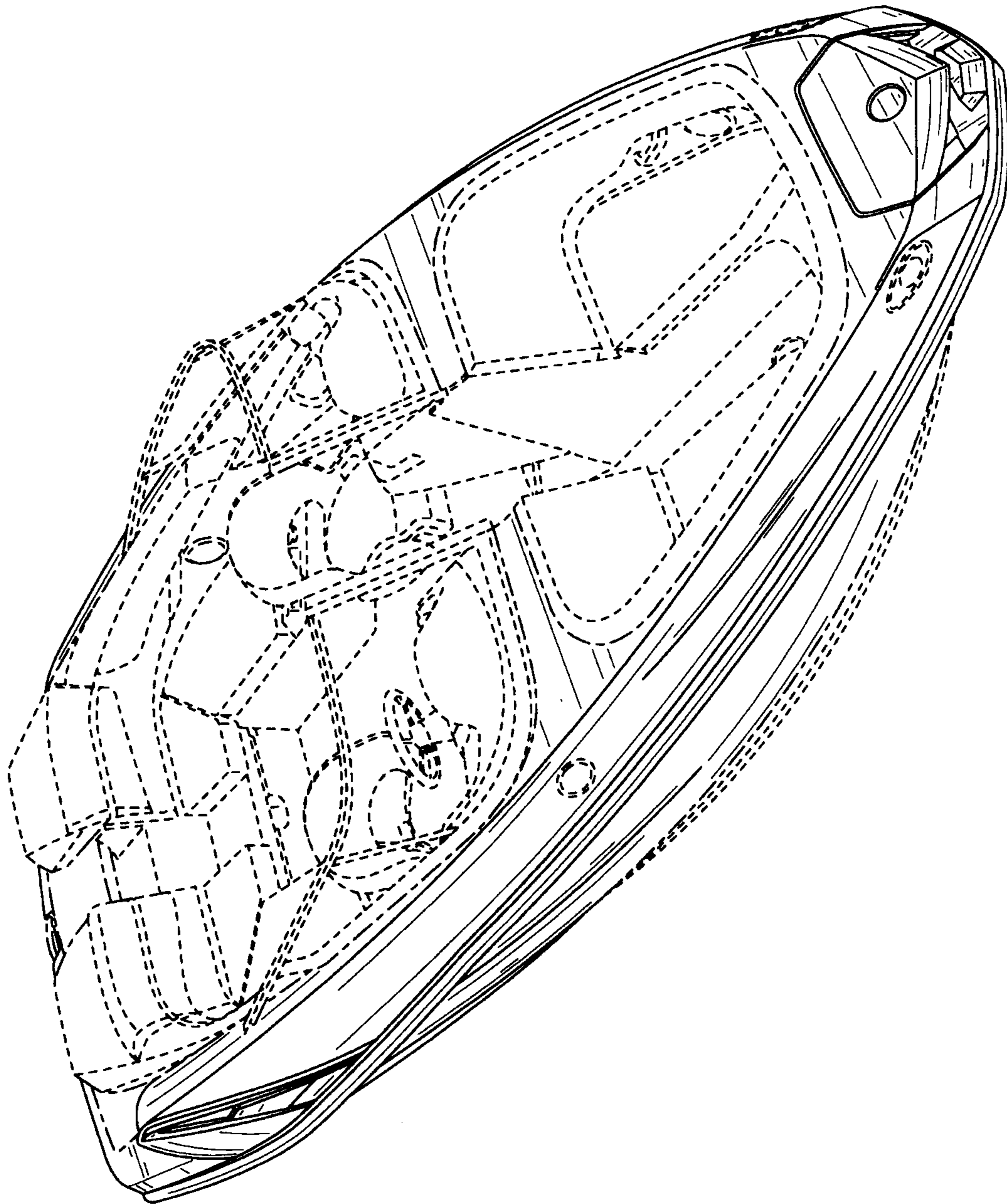


FIG. 1

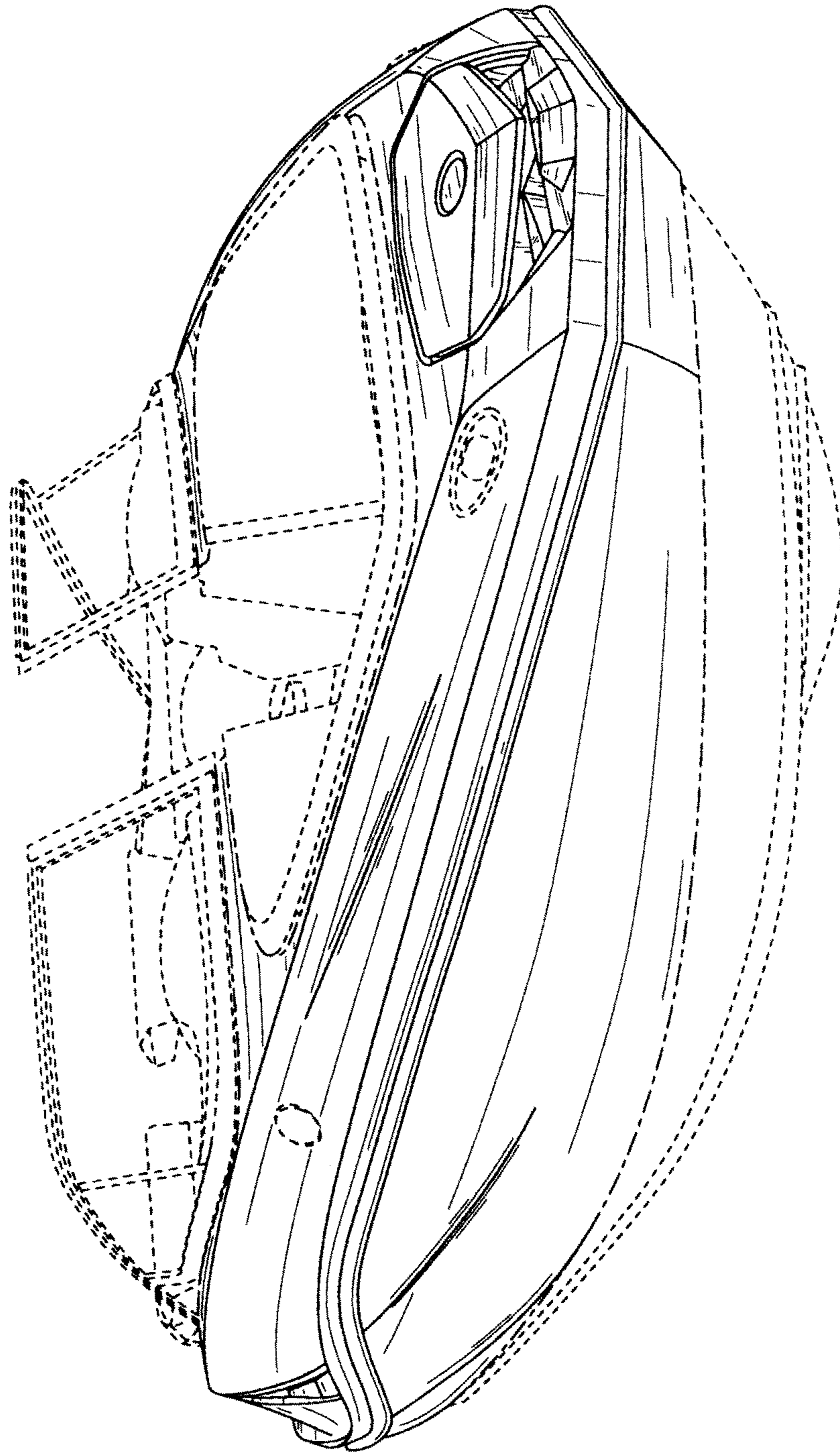


FIG. 2

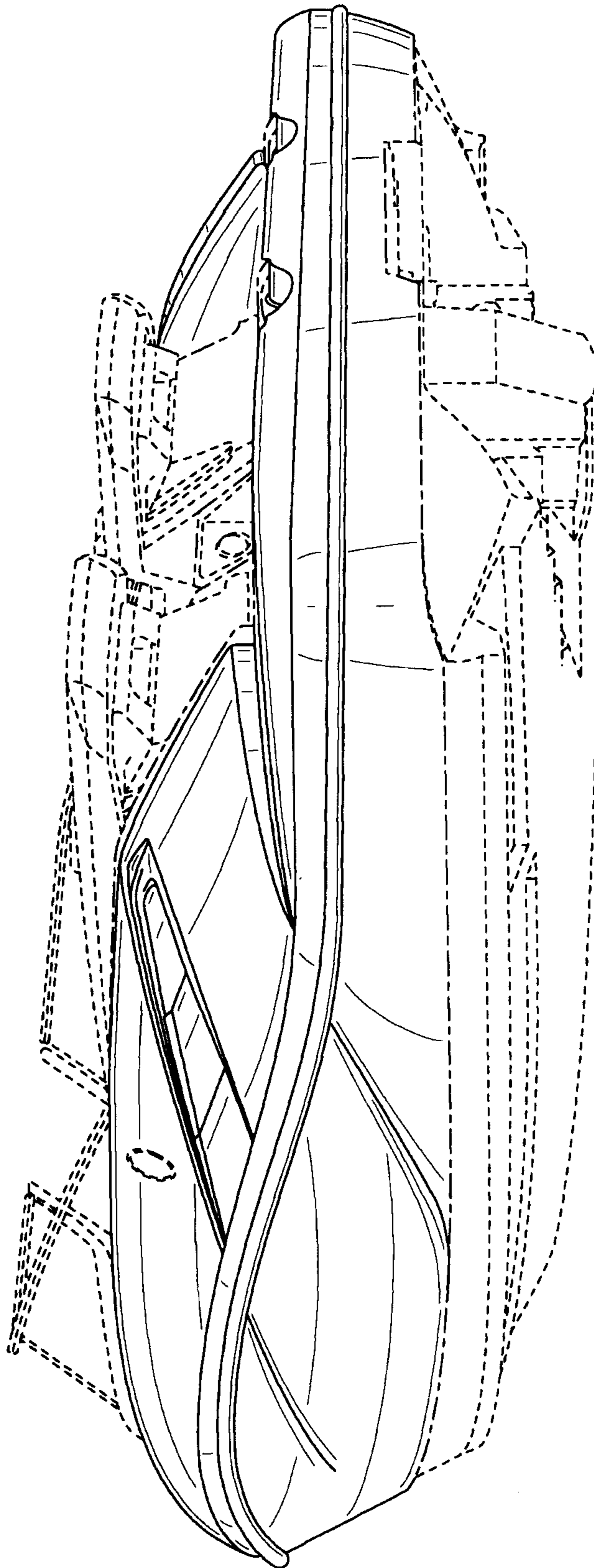


FIG. 3

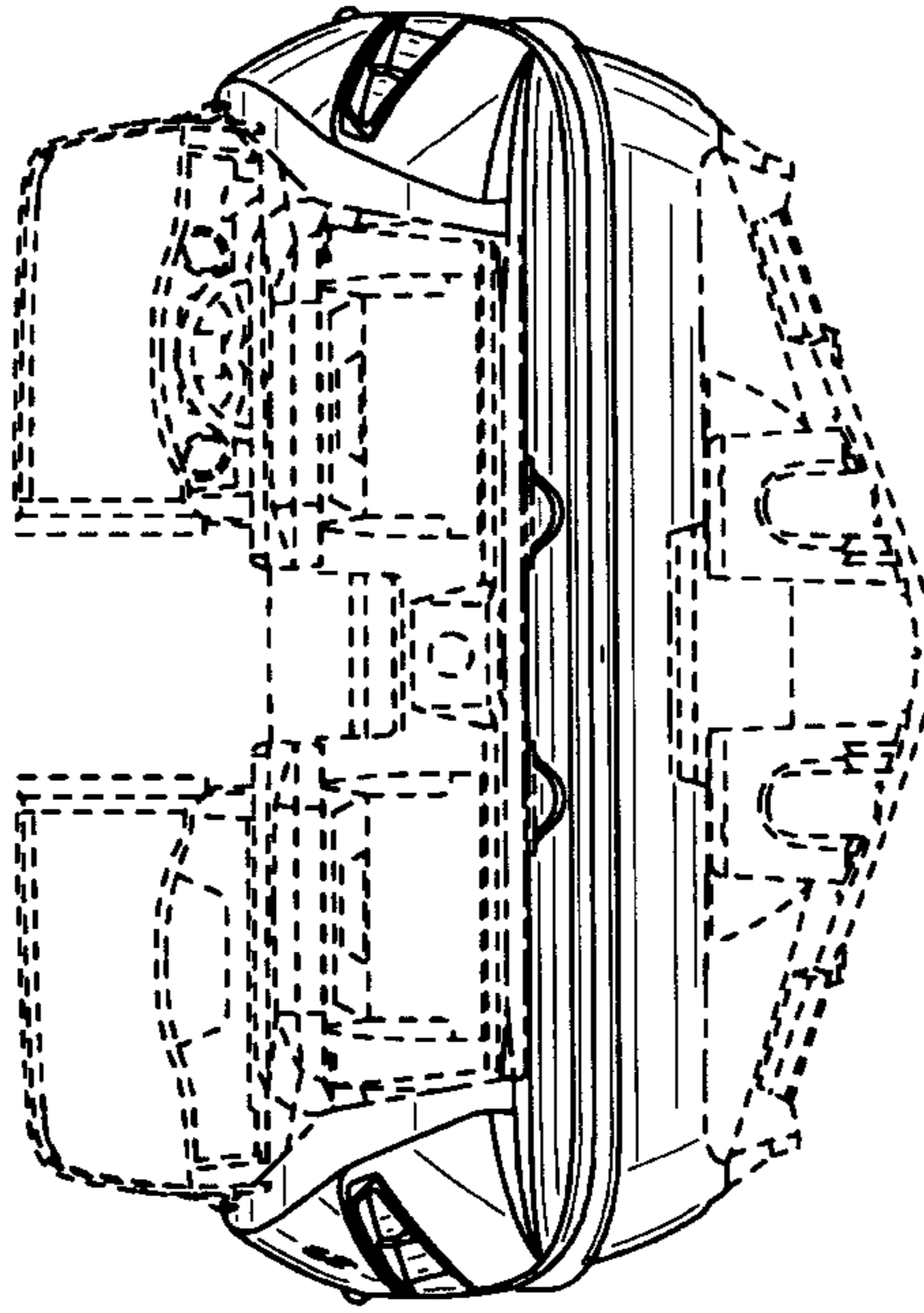


FIG. 5

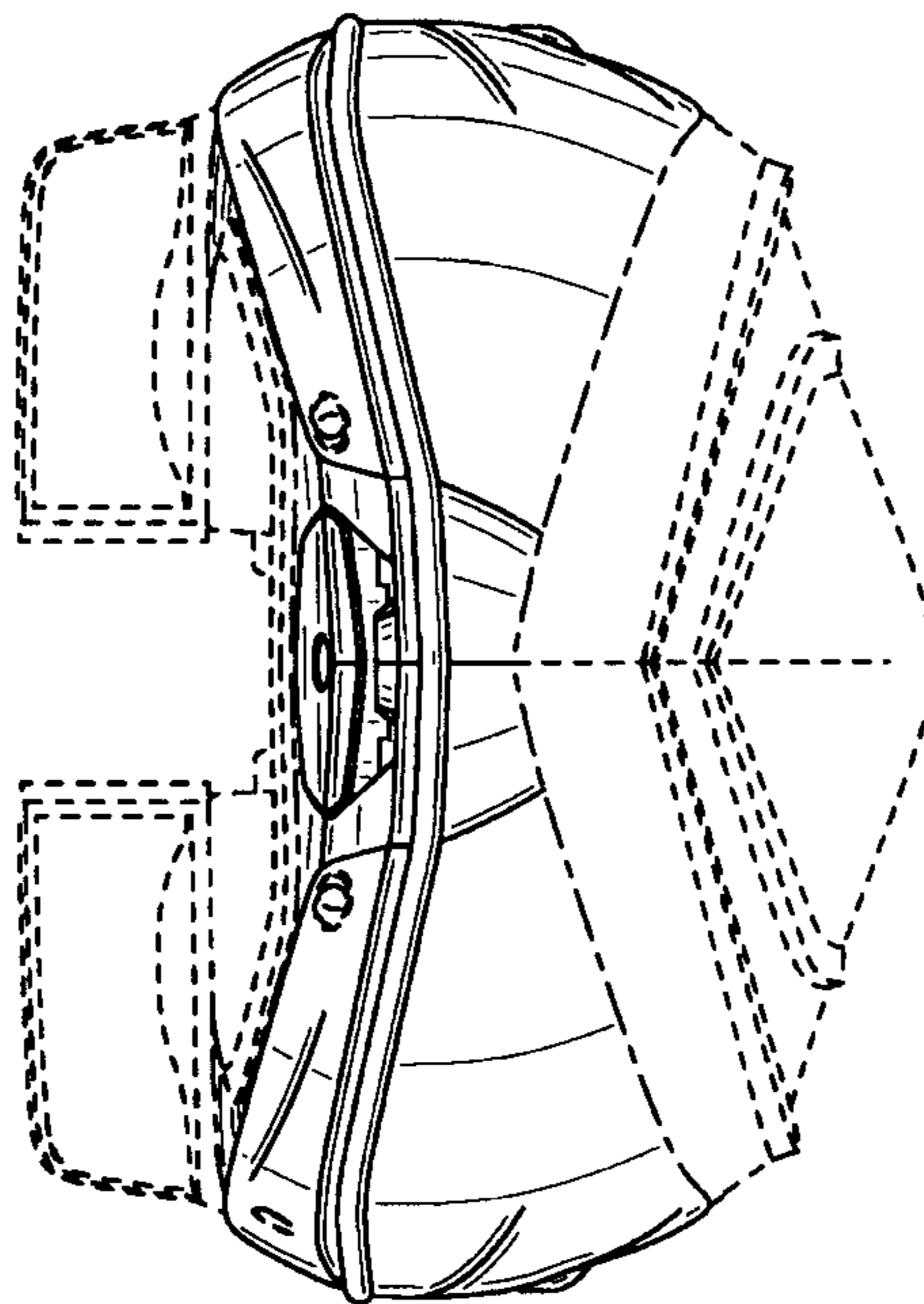


FIG. 4

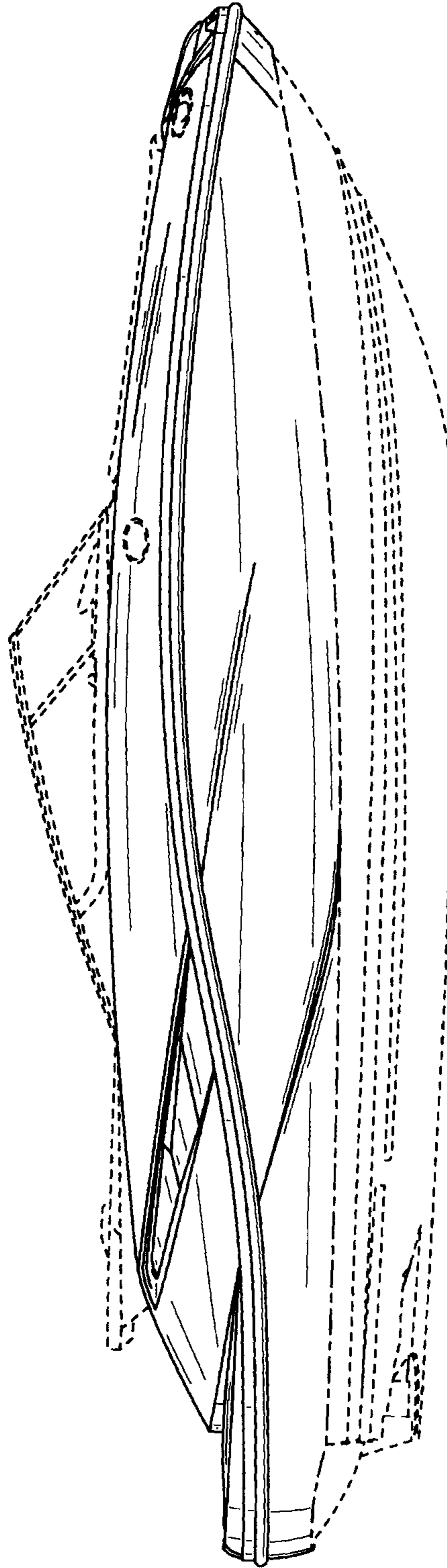


FIG. 6

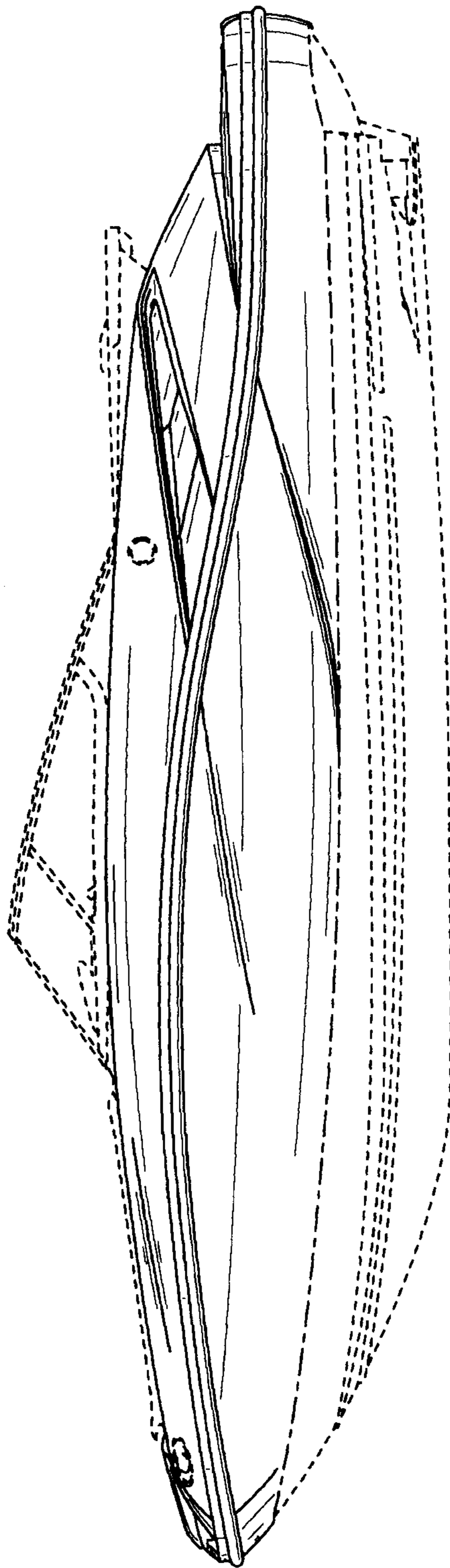


FIG. 7

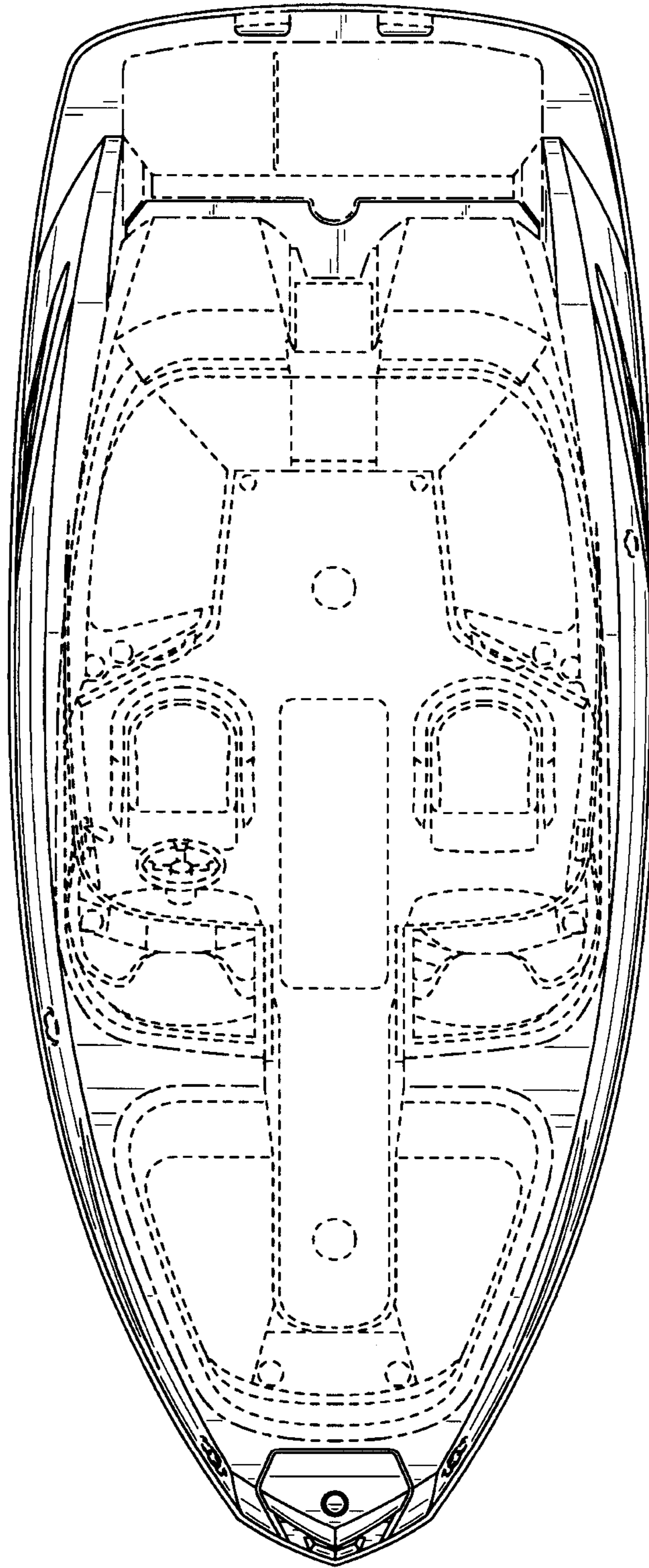


FIG. 8

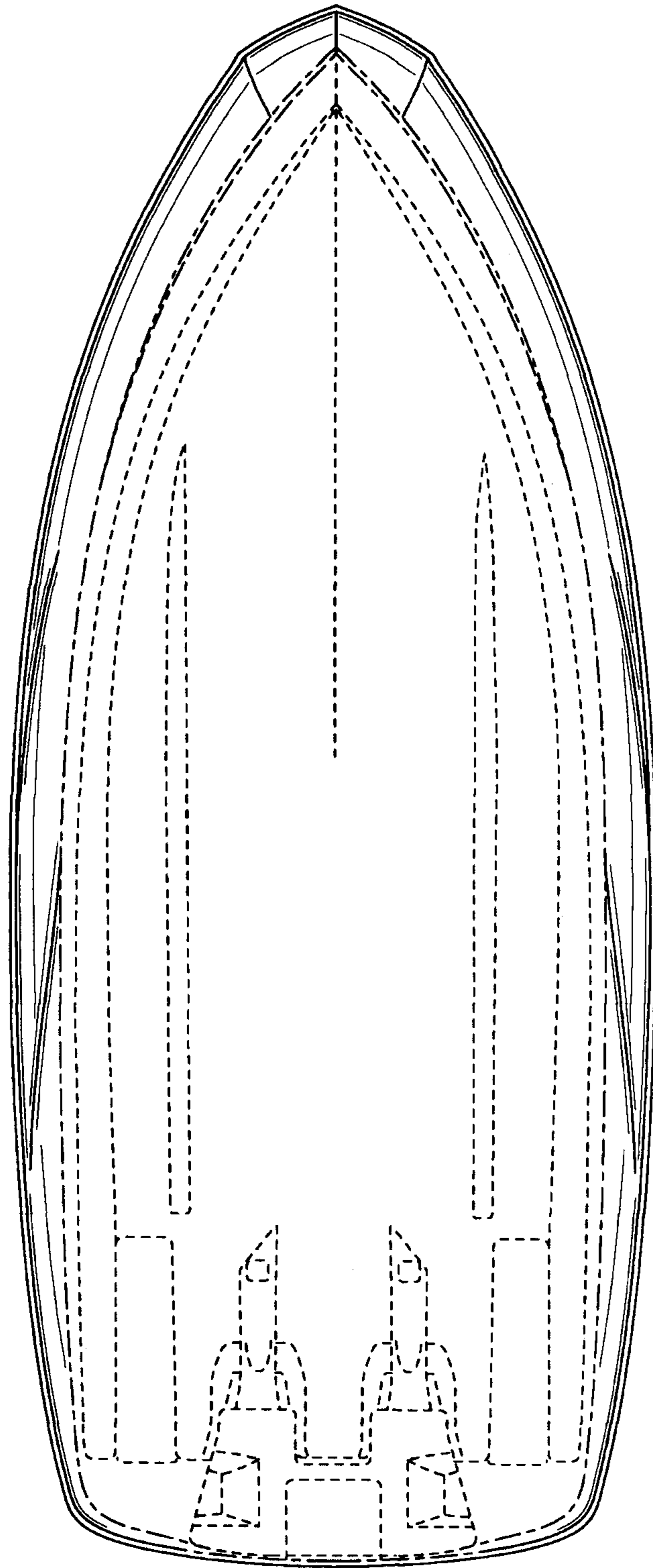


FIG. 9

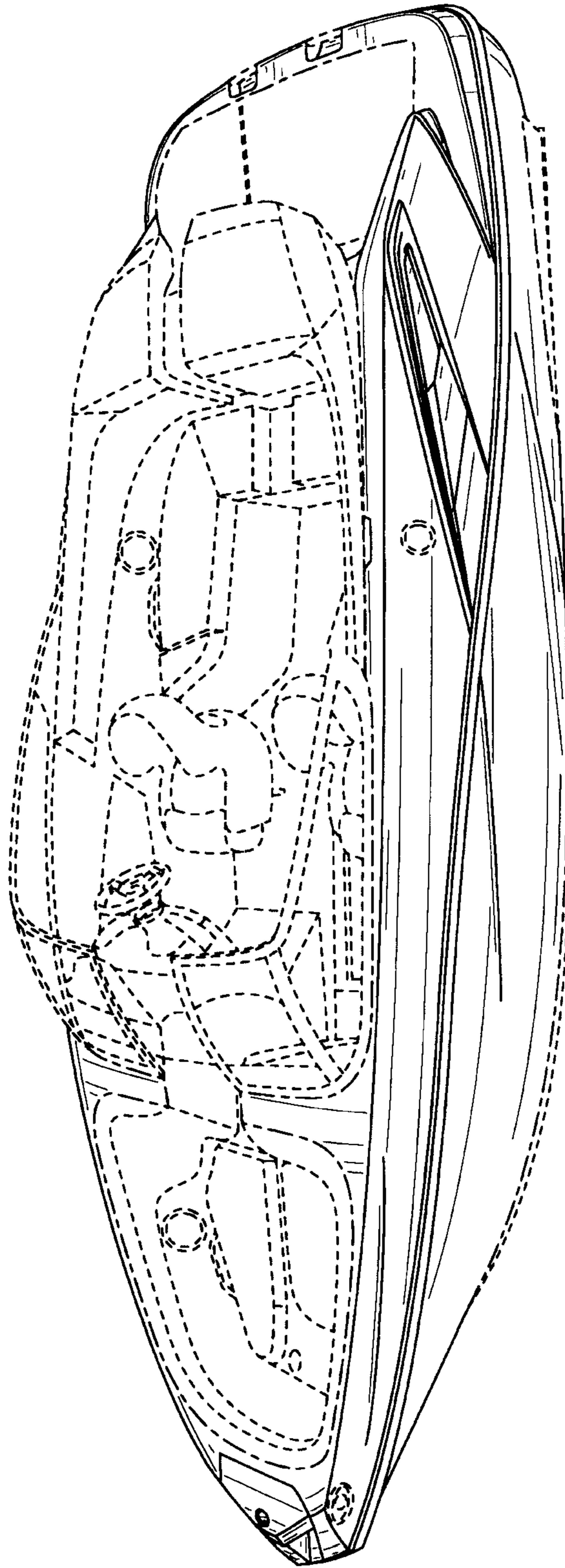


FIG. 10