



US00D632630S

(12) **United States Design Patent**  
**Watson**

(10) **Patent No.:** **US D632,630 S**  
(45) **Date of Patent:** **\*\* Feb. 15, 2011**

(54) **ADAPTER PLATE WITH EXTENSION FOR FUEL TANK**

(76) Inventor: **Kenneth A. Watson**, 10240 SE. Mather Rd., Clackamas, OR (US) 97015

(\*\*) Term: **14 Years**

(21) Appl. No.: **29/370,426**

(22) Filed: **Jul. 15, 2010**

**Related U.S. Application Data**

(62) Division of application No. 29/316,994, filed on Nov. 16, 2009, now Pat. No. Des. 626,055.

(51) **LOC (9) Cl.** ..... **12-11**

(52) **U.S. Cl.** ..... **D12/218**

(58) **Field of Classification Search** ..... D12/218, D12/110, 14, 82, 93-100, 114, 197; D23/240-265; 280/833-835, 288.4; 180/69.4, 219, 225; 220/86.2; 285/12, 80, 92, 148.18-148.25, 285/355, 390, 392; 141/383

See application file for complete search history.

(56) **References Cited**

**U.S. PATENT DOCUMENTS**

1,866,644	A *	7/1932	Greer	.....	285/238
D262,956	S *	2/1982	McNab et al.	.....	D12/218
D275,984	S *	10/1984	Shaw	.....	D23/260
D301,447	S *	6/1989	Snyder	.....	D12/223
D301,448	S *	6/1989	Snyder	.....	D12/223
5,195,785	A *	3/1993	Jellison	.....	285/80

5,327,946	A *	7/1994	Perkins	.....	141/59
5,516,120	A *	5/1996	Damusis	.....	277/591
D458,354	S *	6/2002	Watson	.....	D23/266
D466,468	S *	12/2002	Watson	.....	D12/218
D592,580	S *	5/2009	Watson	.....	D12/218
7,551,404	B1 *	6/2009	Phu et al.	.....	360/266
D611,577	S *	3/2010	Waymire	.....	D23/266
2004/0201180	A1 *	10/2004	Shah et al.	.....	277/592
2008/0185491	A1 *	8/2008	Bosch et al.	.....	248/346.5

\* cited by examiner

*Primary Examiner*—Susan M Lee

*Assistant Examiner*—Linda G. Brooks

(74) *Attorney, Agent, or Firm*—Ingrid McTaggart

(57) **CLAIM**

I claim the ornamental design for an adapter plate with extension for fuel tank, as shown and described.

**DESCRIPTION**

FIG. 1 is a top plan view of the adapter plate with extension for fuel tank;

FIG. 2 is a bottom plan view thereof;

FIG. 3 is a left side elevational view thereof;

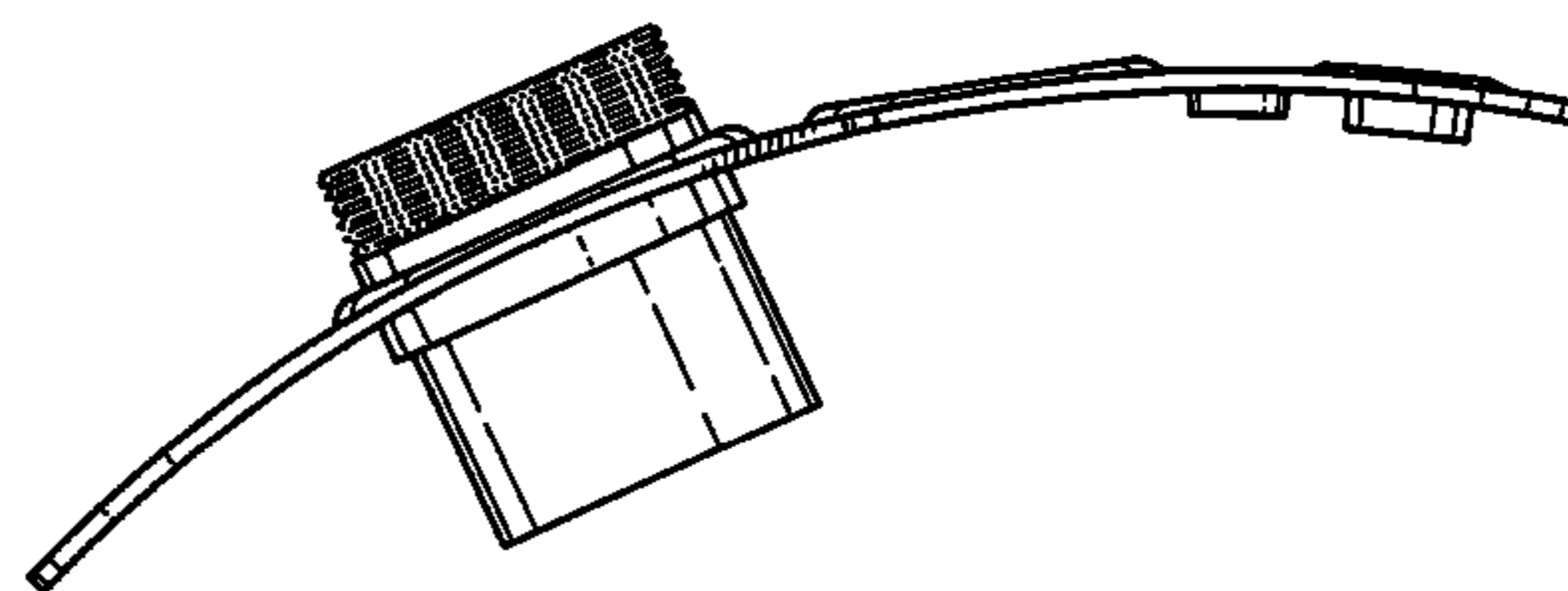
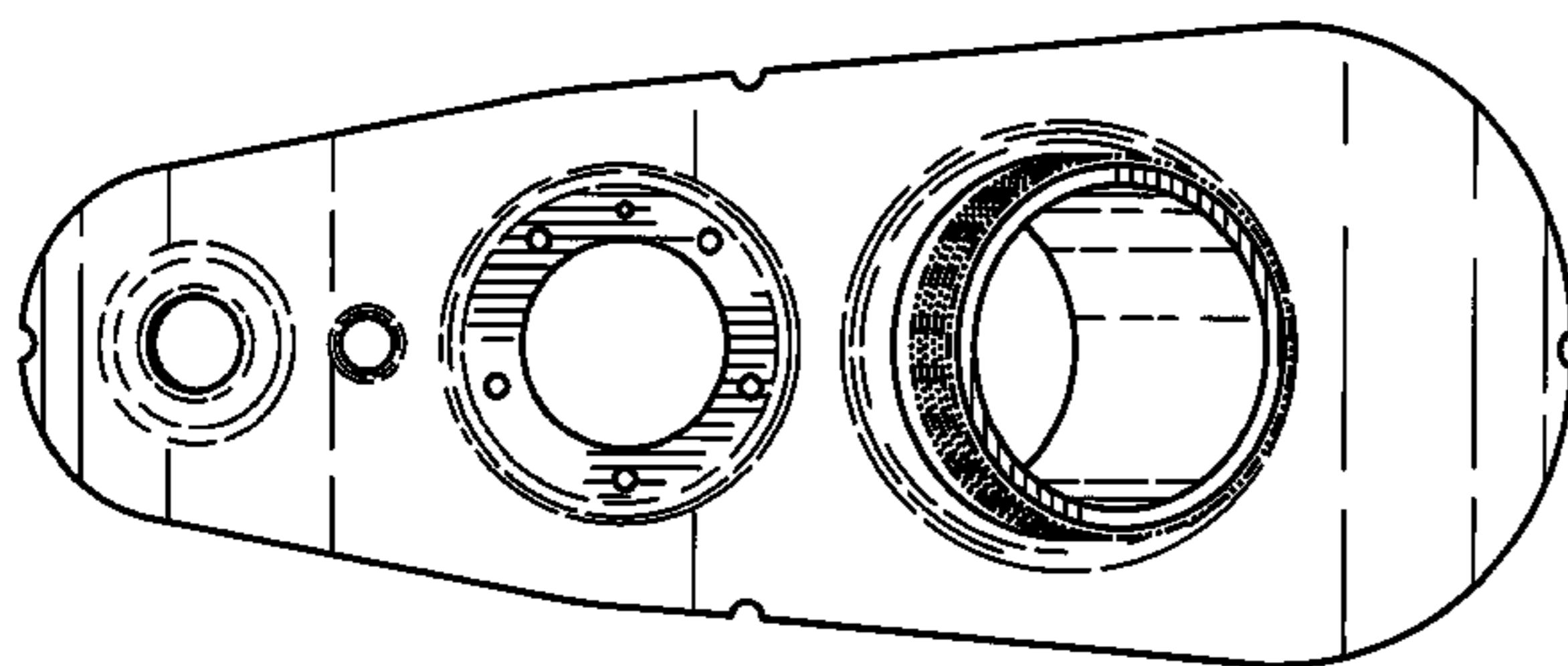
FIG. 4 is a right side elevational view thereof;

FIG. 5 is a rear elevational view thereof; and,

FIG. 6 is a front elevational view thereof.

Dash lines represent the environment of the design and form no part of the claimed design.

**1 Claim, 2 Drawing Sheets**



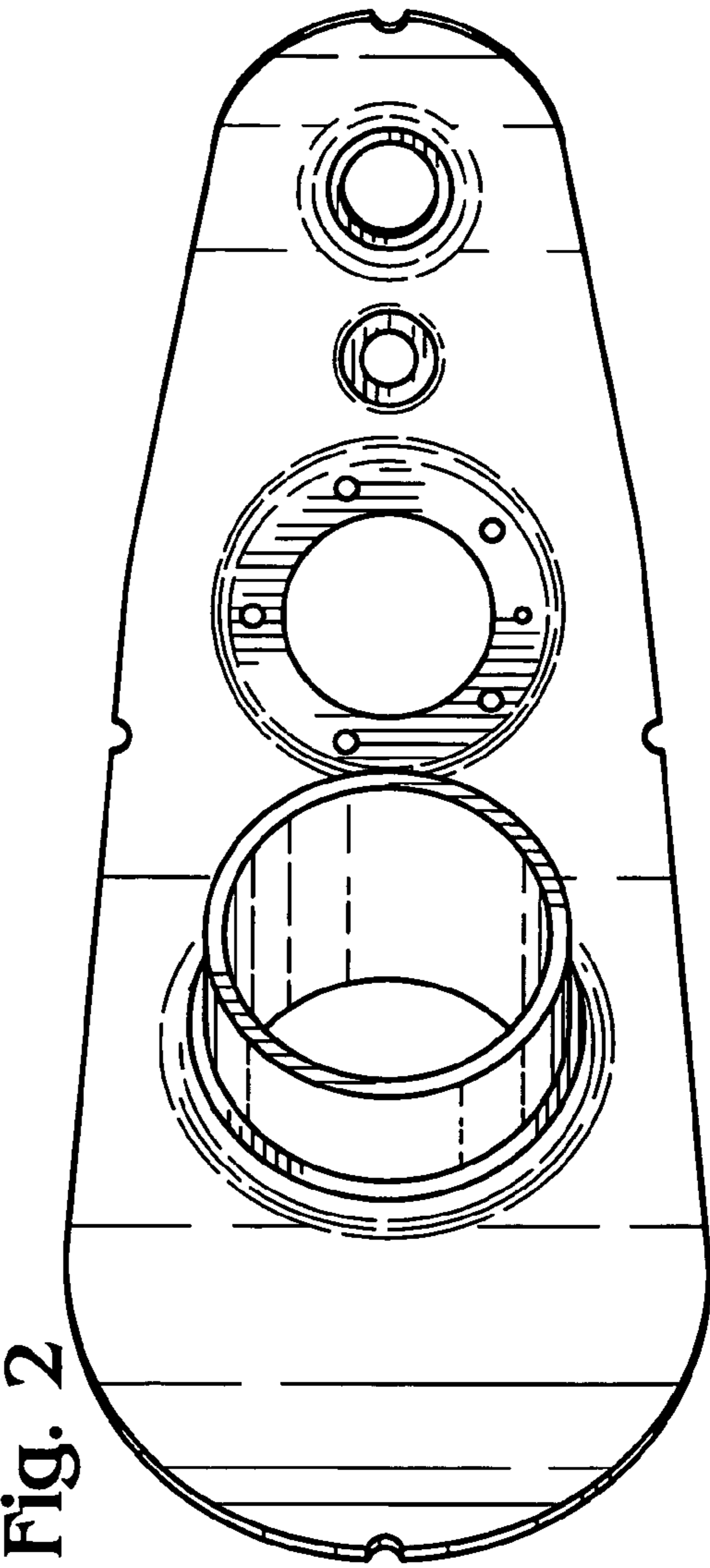
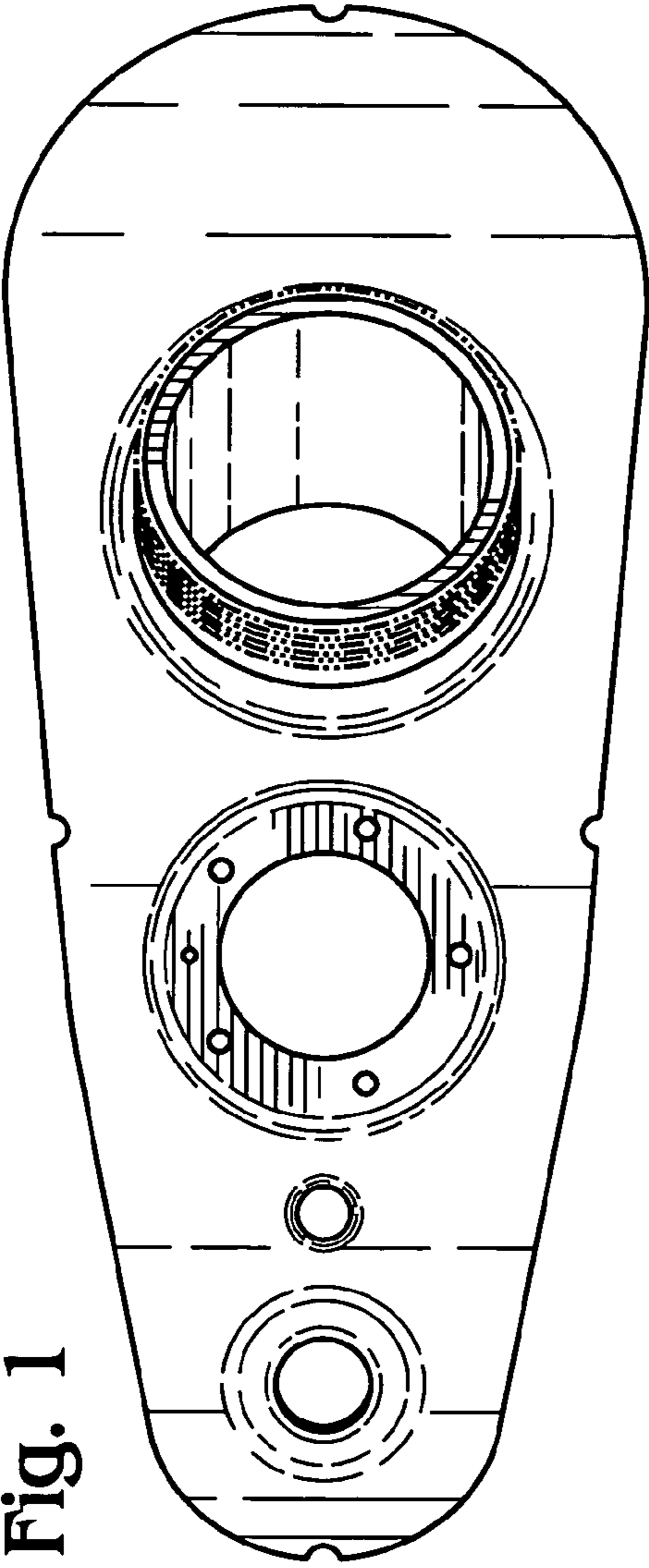


Fig. 3

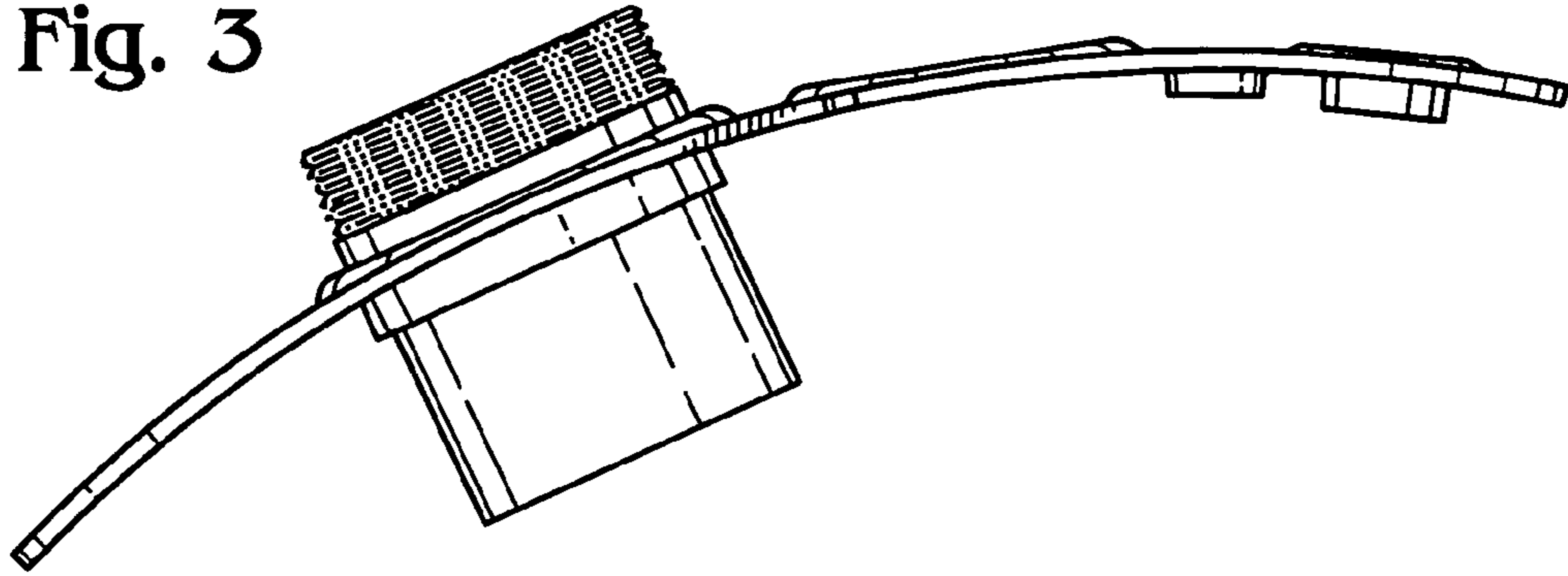


Fig. 4

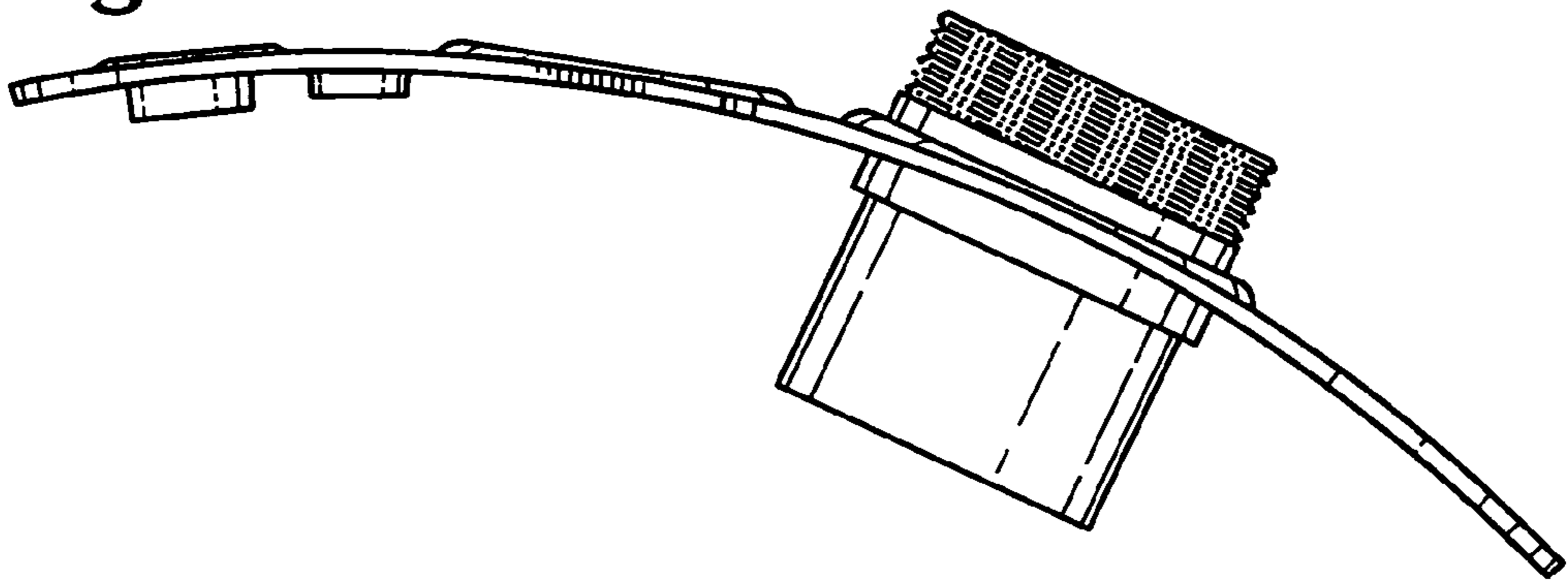


Fig. 5

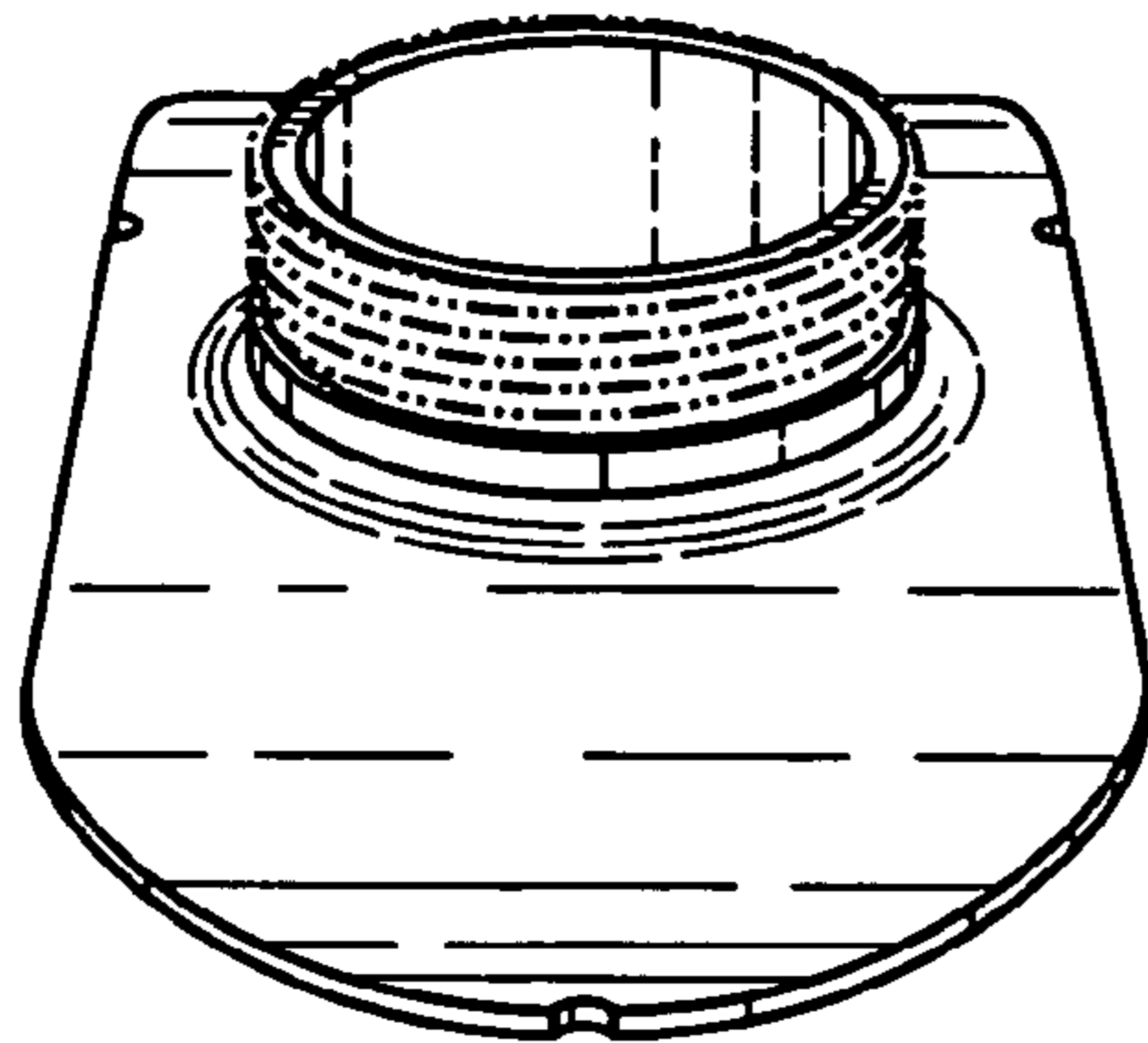


Fig. 6

