



US00D632628S

(12) **United States Design Patent**
Mitchell, Jr.

(10) **Patent No.:** **US D632,628 S**

(45) **Date of Patent:** **** Feb. 15, 2011**

(54) **WHEEL SPRAY COVER**

(76) Inventor: **John E. Mitchell, Jr.**, 600 E. Cuyahoga Falls Ave., Akron, OH (US) 44310

(**) Term: **14 Years**

(21) Appl. No.: **29/344,978**

(22) Filed: **Oct. 7, 2009**

(51) **LOC (9) Cl.** **12-16**

(52) **U.S. Cl.** **D12/213**

(58) **Field of Classification Search** D12/213,
D12/400; 40/587; 294/131; 301/108.1–108.5,
301/37.101–104, 37.21, 37.39, 37.41, 37.42,
301/37.109, 37.31; 118/504–505
See application file for complete search history.

D438,835 S	3/2001	Maschino	
D446,763 S *	8/2001	Denison et al.	D12/213
6,309,027 B1	10/2001	Smith	
6,412,878 B1	7/2002	Bell et al.	
D477,802 S	7/2003	Williams	
6,598,942 B1	7/2003	Williams	
D479,179 S *	9/2003	Lian	D12/213
D480,039 S	9/2003	Williams	
D491,874 S	6/2004	Cook	
6,871,914 B2	3/2005	Stewart, Jr.	
D504,652 S *	5/2005	Woodberry	D12/213
D516,494 S	3/2006	Apodaca et al.	
D528,963 S *	9/2006	Horn	D12/213
D534,853 S *	1/2007	Apodaca	D12/213
D537,401 S	2/2007	Jones	
D540,242 S *	4/2007	Holguin	D12/213
D560,153 S *	1/2008	Zane	D12/213
D565,491 S *	4/2008	Scott	D12/213
D569,324 S *	5/2008	Gosnell et al.	D12/213
D596,554 S *	7/2009	Thompson	D12/213

(56) **References Cited**

U.S. PATENT DOCUMENTS

1,424,199 A	8/1922	Humelbau	
4,792,191 A	12/1988	Farmer	
4,811,991 A	3/1989	Moreno et al.	
D305,635 S *	1/1990	Pope	D12/213
4,955,670 A	9/1990	Koller	
D337,090 S	7/1993	Wilfong, III	
D338,185 S	8/1993	Dowd	
D343,379 S	1/1994	Dockins	
5,435,630 A	7/1995	Tucker	
5,524,972 A	6/1996	Cailor et al.	
D377,332 S *	1/1997	Cruz, III	D12/213
D378,364 S	3/1997	Clifton	
D379,171 S	5/1997	Hope et al.	
D379,172 S	5/1997	Hale	
D387,725 S	12/1997	Cochran et al.	
D390,181 S	2/1998	Morrison	
D402,614 S	12/1998	Martinez	
D418,102 S	12/1999	Schehr	
6,030,050 A	2/2000	Ichikawa et al.	
6,068,345 A	5/2000	Bressie	
D434,714 S *	12/2000	White	D12/213
6,179,387 B1	1/2001	Nasset, Sr. et al.	

* cited by examiner

Primary Examiner—Stacia Cadmus

(74) *Attorney, Agent, or Firm*—Robert J. Herberger

(57) **CLAIM**

The ornamental design for a wheel spray cover, as shown and described.

DESCRIPTION

FIG. 1 is a perspective view of a wheel spray cover invention showing my new design;

FIG. 2 is a rear plan view thereof;

FIG. 3 is a top plan view thereof;

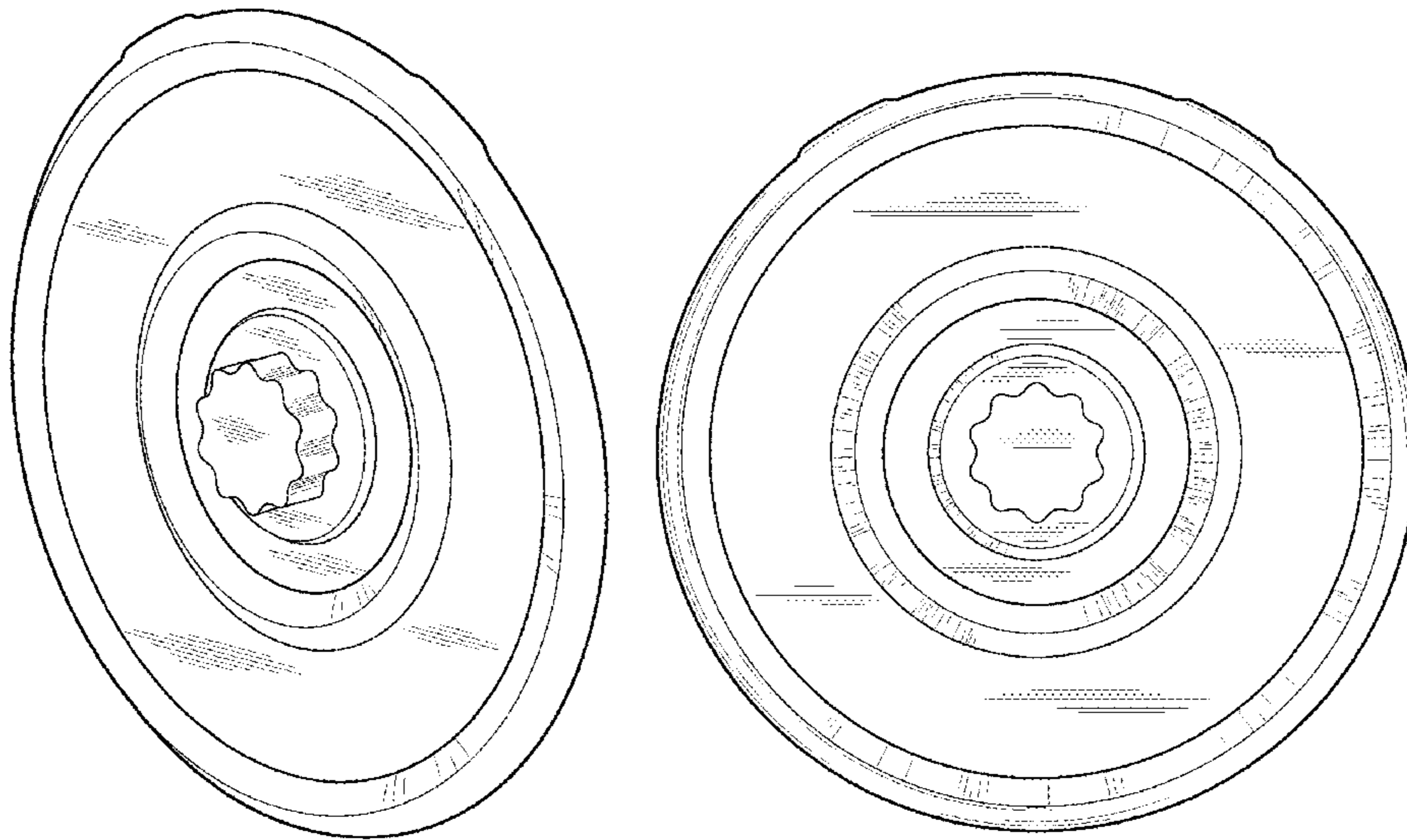
FIG. 4 is a left side elevational view thereof;

FIG. 5 is a right side elevational view thereof;

FIG. 6 is a top side elevational view thereof; and,

FIG. 7 is a bottom side elevational view thereof.

1 Claim, 2 Drawing Sheets



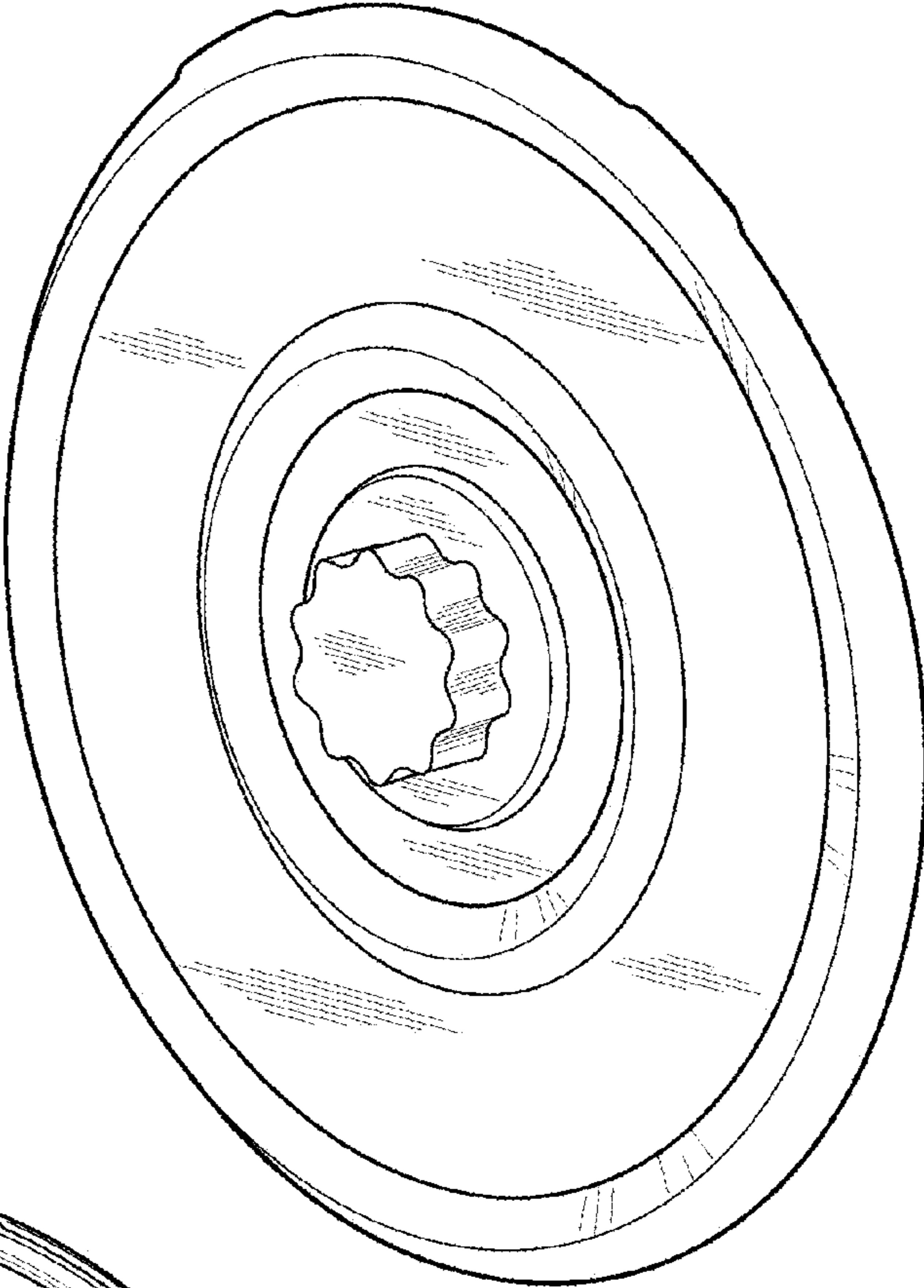


FIG. 1

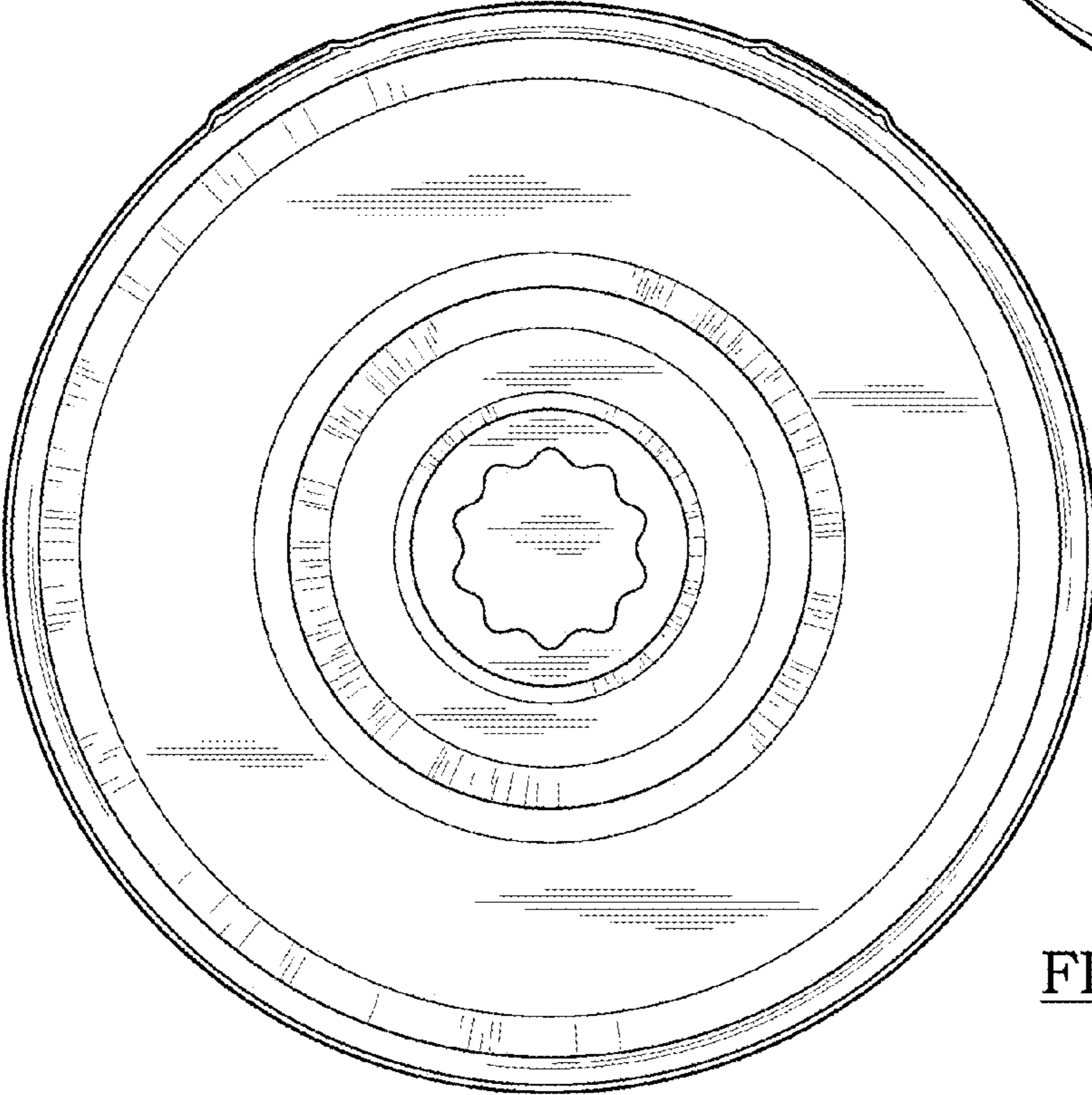


FIG. 2

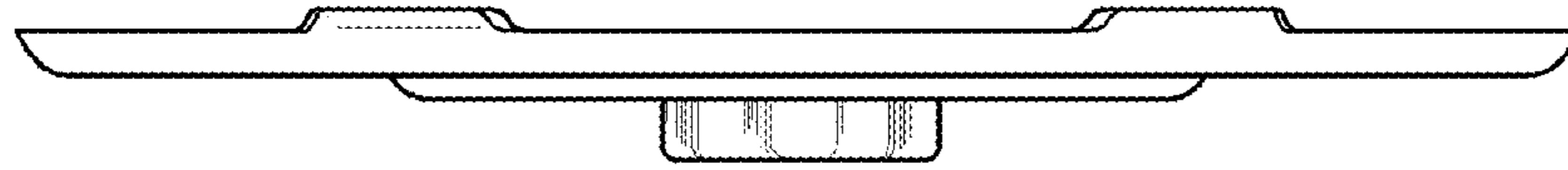


FIG. 6

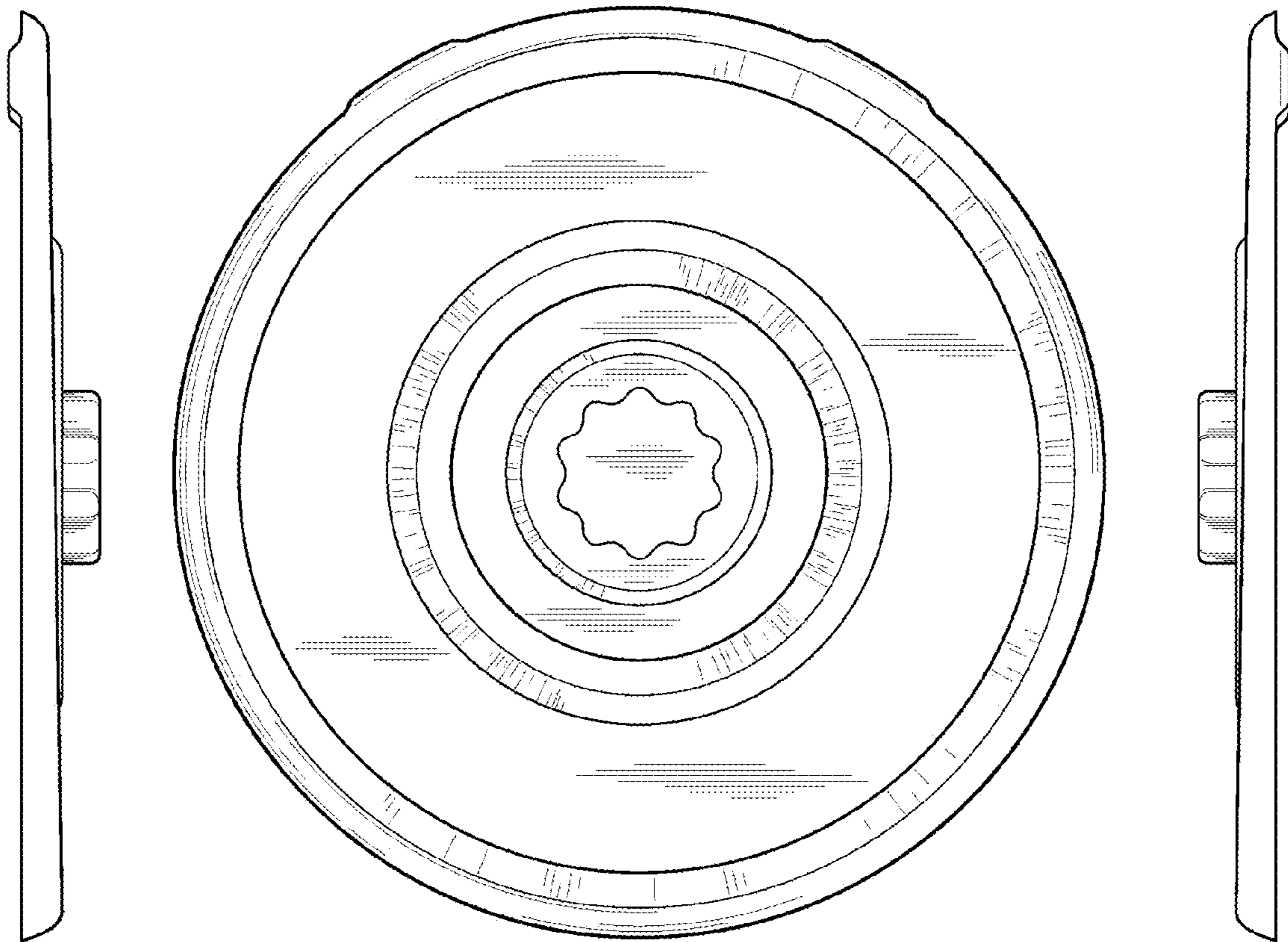


FIG. 4

FIG. 3

FIG. 5

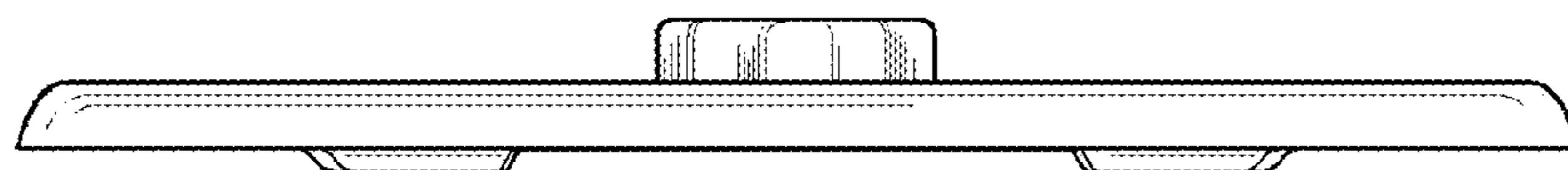


FIG. 7