



US00D632624S

(12) **United States Design Patent**
Tezak et al.

(10) **Patent No.:** **US D632,624 S**
(45) **Date of Patent:** **** Feb. 15, 2011**

(54) **LEVER**

(75) Inventors: **Robert J. Tezak**, Carol Stream, IL (US);
James E. Brown, Naperville, IL (US);
Nicholas J. Scholtes, Shorewood, IL (US)

(73) Assignee: **Control Solutions LLC**, Aurora, IL (US)

(**) Term: **14 Years**

(21) Appl. No.: **29/351,642**

(22) Filed: **Dec. 9, 2009**

(51) **LOC (9) Cl.** **12-16**

(52) **U.S. Cl.** **D12/195**

(58) **Field of Classification Search** D12/195,
D12/400, 401, 404, 406, 412, 414, 222, 223,
D12/86, 93, 101; 224/923, 924; 211/100,
211/124, 2, 4, 85.7; D6/552

See application file for complete search history.

(56) **References Cited**

U.S. PATENT DOCUMENTS

D383,952 S *	9/1997	Williams	D8/31
D386,131 S *	11/1997	Gogan et al.	D12/114
D401,496 S *	11/1998	Lambert et al.	D8/354
D482,312 S *	11/2003	McCoy et al.	D12/223
D482,313 S *	11/2003	McCoy et al.	D12/223
D493,134 S *	7/2004	McCoy et al.	D12/223

D509,468 S *	9/2005	Viger	D12/223
D561,544 S *	2/2008	Hume	D8/14
D585,356 S *	1/2009	Gillan et al.	D12/223
D585,809 S *	2/2009	Hughes et al.	D12/223
D615,387 S *	5/2010	Prichard	D8/354
D615,470 S *	5/2010	Wiora et al.	D12/195
D615,847 S *	5/2010	Tezak et al.	D8/349

* cited by examiner

Primary Examiner—Caron Veynar

Assistant Examiner—Katrina A Kile

(74) *Attorney, Agent, or Firm*—The Eclipse Group LLC

(57) **CLAIM**

We claim the ornamental design for a lever, as shown and described.

DESCRIPTION

FIG. 1 is an enlarged perspective view of the lever;

FIG. 2 is a top view thereof;

FIG. 3 is a left side view thereof;

FIG. 4 is a front view thereof;

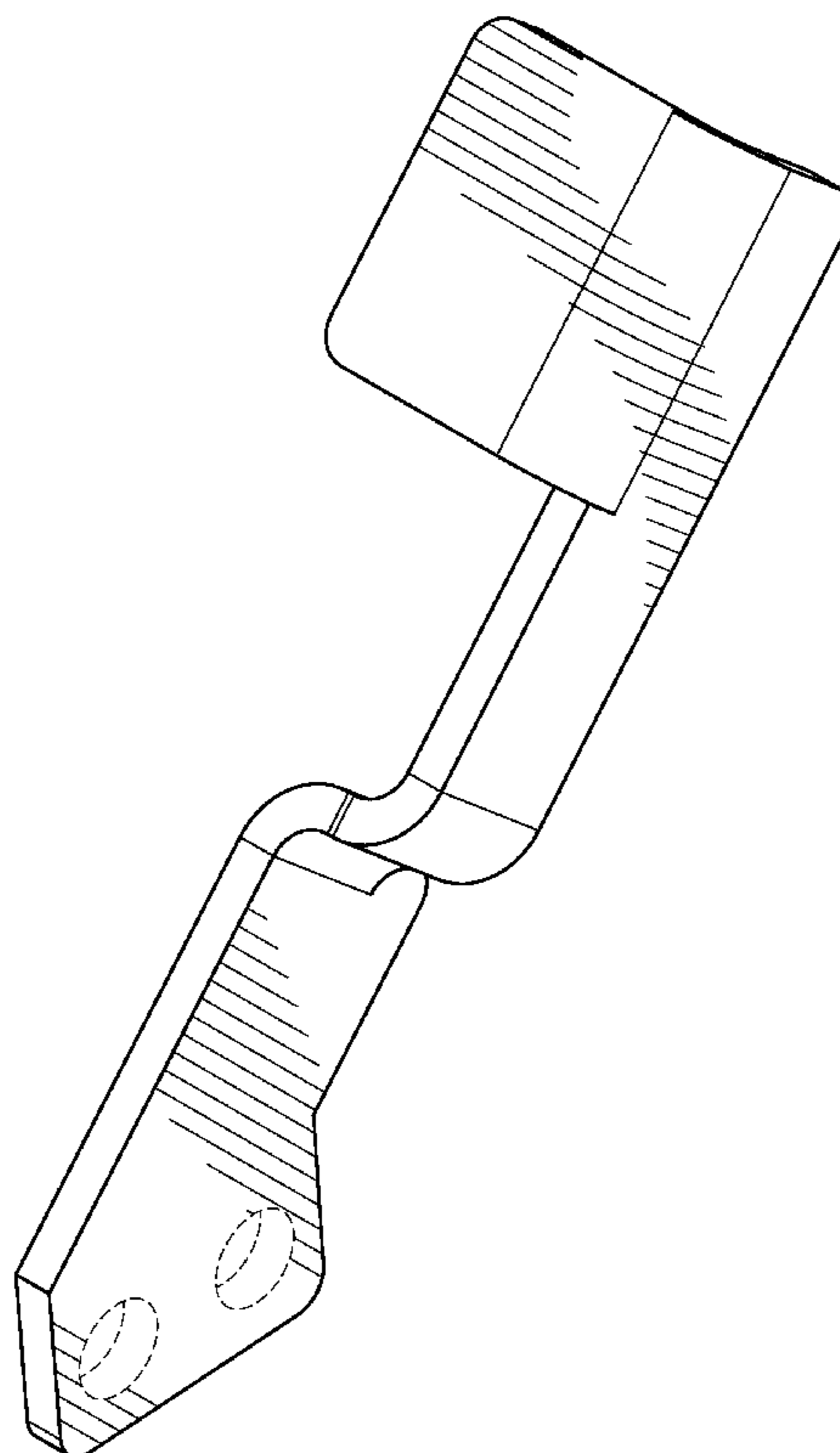
FIG. 5 is a right side view thereof;

FIG. 6 is a rear view thereof; and,

FIG. 7 is a bottom view thereof.

The dashed lines in various figures are for illustrative purposes only and form no part of the claimed design.

1 Claim, 2 Drawing Sheets



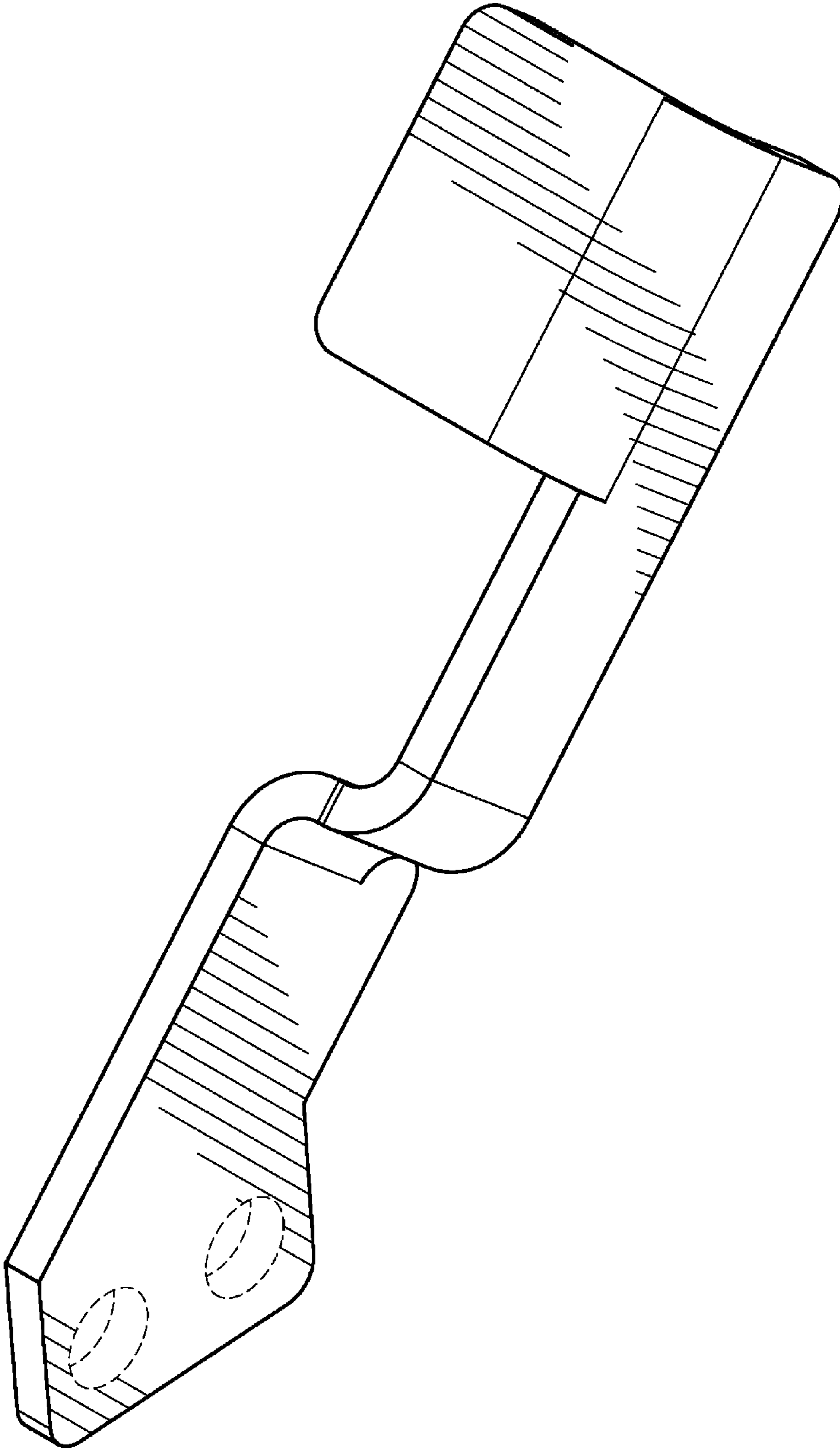


FIG. 1

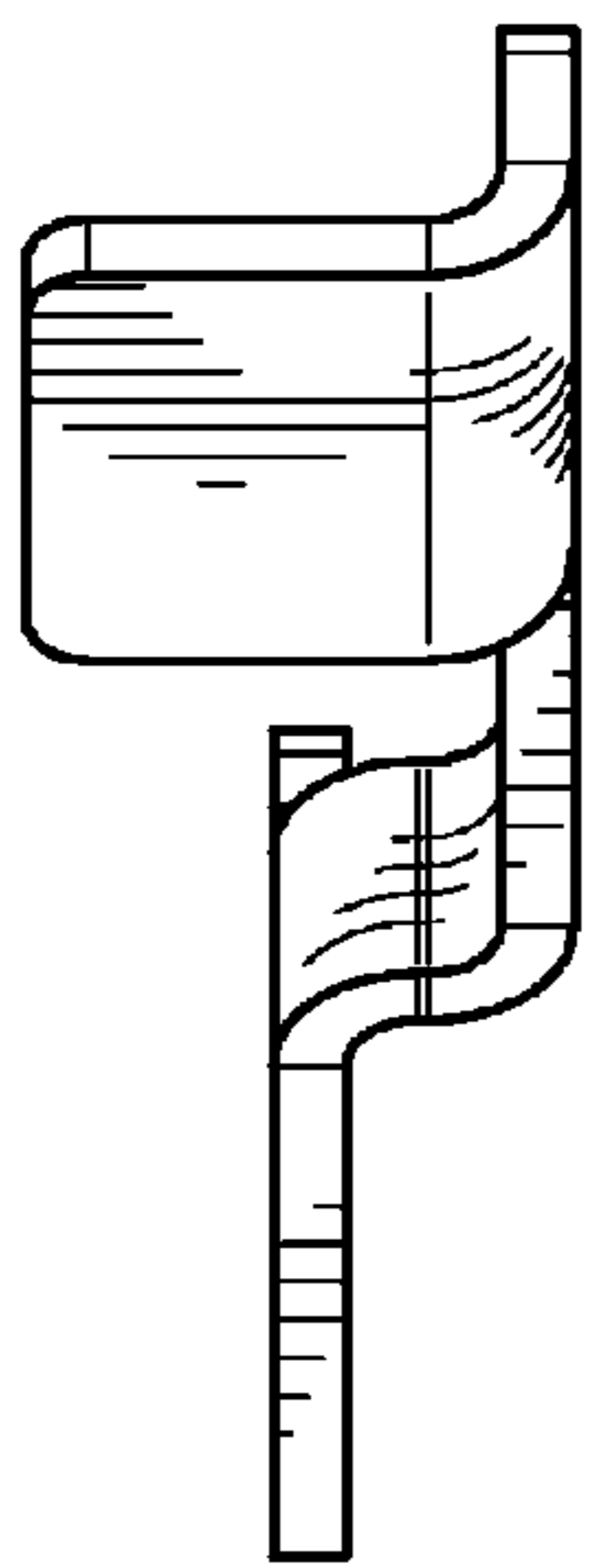


FIG. 2

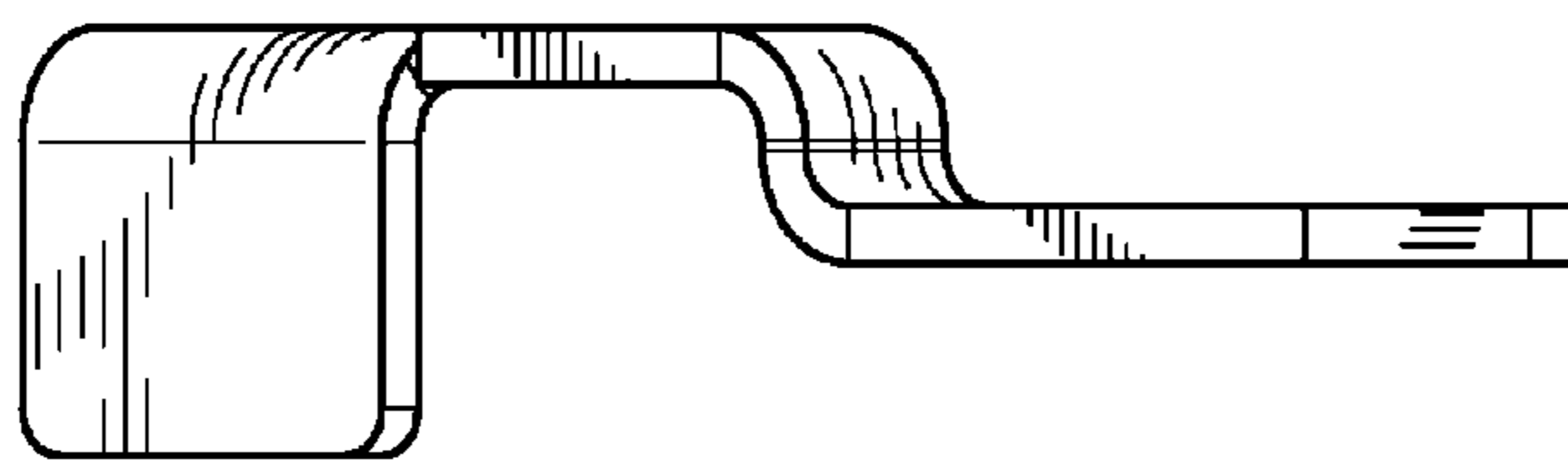


FIG. 3

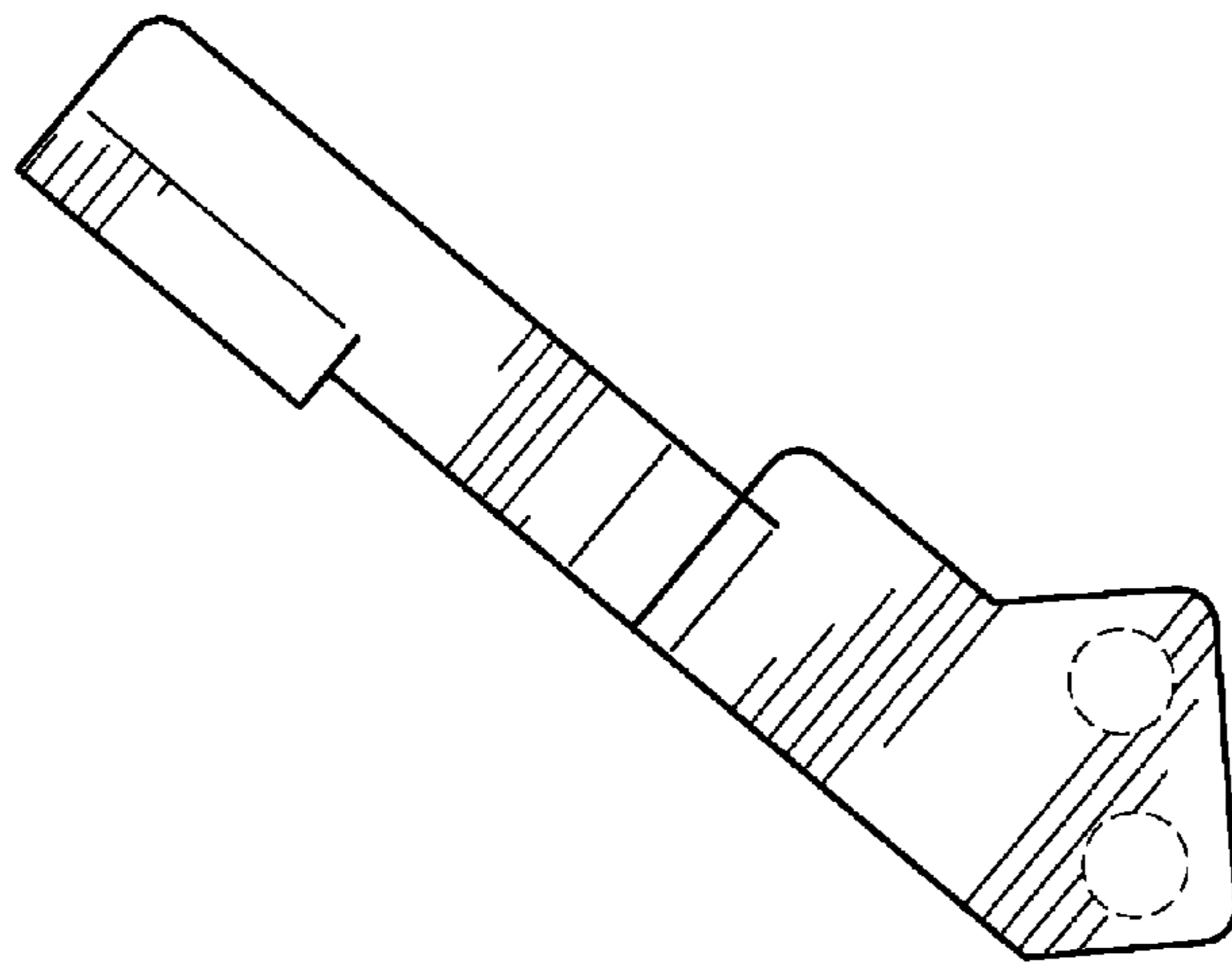


FIG. 4

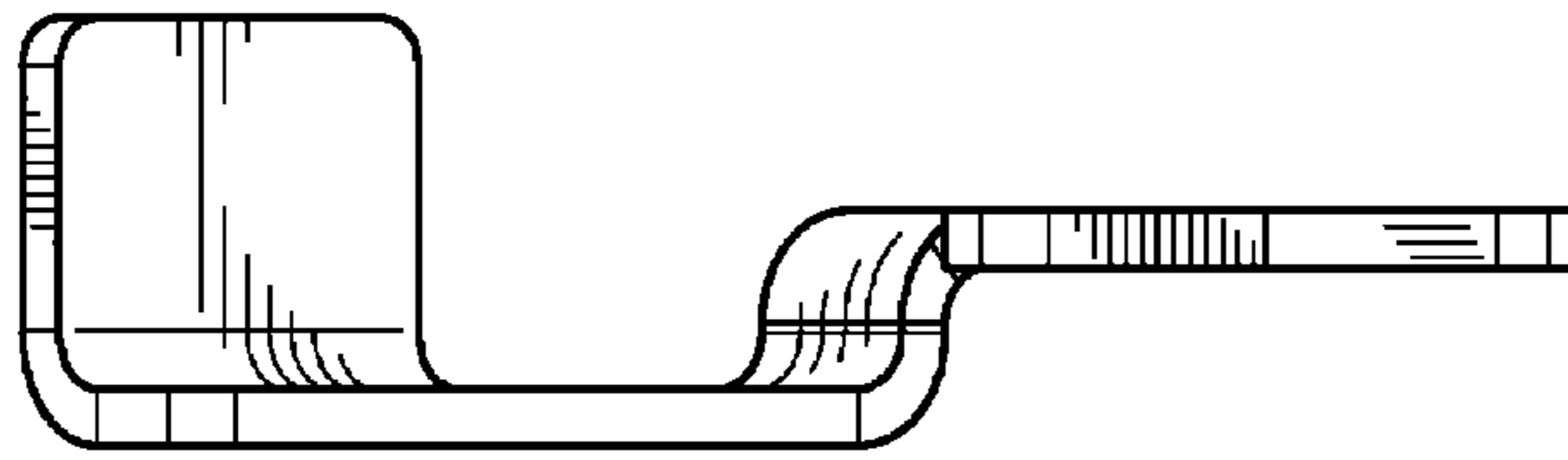


FIG. 5

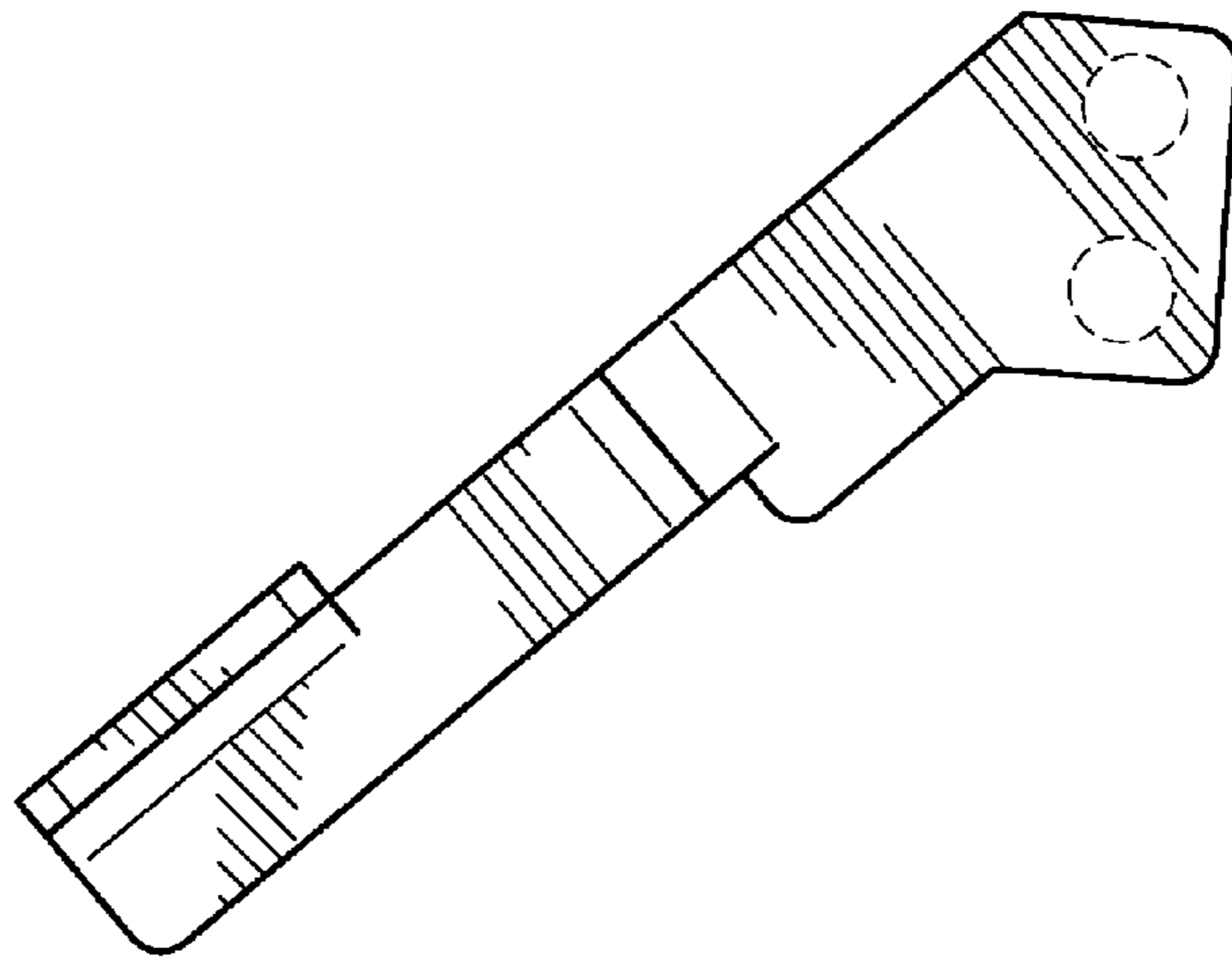


FIG. 6

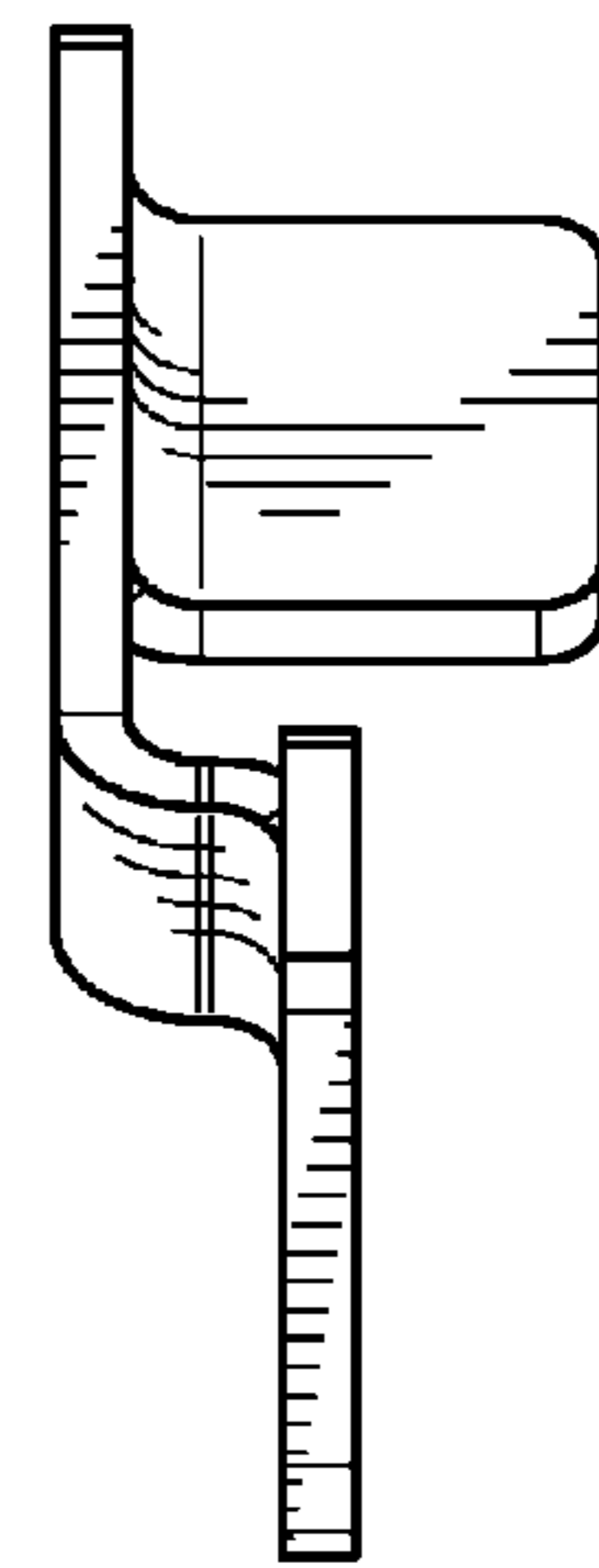


FIG. 7