



US00D632623S

(12) **United States Design Patent**
Nishimura

(10) **Patent No.:** **US D632,623 S**

(45) **Date of Patent:** **** Feb. 15, 2011**

(54) **INSTRUMENT PANEL FOR A TRUCK**

(75) Inventor: **Toshihiro Nishimura, Kitamoto (JP)**

(73) Assignee: **UD Trucks Corporation, Ageo-shi, Saitama (JP)**

(**) Term: **14 Years**

(21) Appl. No.: **29/367,634**

(22) Filed: **Aug. 10, 2010**

(30) **Foreign Application Priority Data**

Apr. 8, 2010 (JP) 2010-008907

(51) **LOC (9) Cl.** **12-16**

(52) **U.S. Cl.** **D12/192**

(58) **Field of Classification Search** D12/192,
D12/415, 110, 114; 180/90; 280/750-752;
296/190.01-190.09, 191, 70; D15/17, 28;
D10/46, 98, 102-103, 122-127

See application file for complete search history.

(56) **References Cited**

U.S. PATENT DOCUMENTS

D419,936 S *	2/2000	Sacco et al.	D12/192
D470,809 S *	2/2003	Asahi et al.	D12/192
D489,660 S *	5/2004	Okumura et al.	D12/192
D493,756 S *	8/2004	Yamamoto et al.	D12/192
D558,656 S *	1/2008	Tanaka et al.	D12/192
D560,150 S *	1/2008	Honma et al.	D12/192
D570,756 S *	6/2008	Nakajima	D12/192
D593,470 S *	6/2009	Duan et al.	D12/192
D598,353 S *	8/2009	Dai et al.	D12/192

D616,346 S *	5/2010	Jimenez	D12/192
2009/0108617 A1 *	4/2009	Songwe, Jr.	296/70
2009/0174214 A1 *	7/2009	Sato	296/70
2009/0179411 A1 *	7/2009	Miki	280/752
2009/0261612 A1 *	10/2009	Takayama et al.	296/70
2009/0261613 A1 *	10/2009	Johnson et al.	296/72
2009/0266635 A1 *	10/2009	Sato	180/90
2009/0284038 A1 *	11/2009	Sato	296/72
2010/0032986 A1 *	2/2010	Wolbert et al.	296/191
2010/0084842 A1 *	4/2010	Kong	280/752

* cited by examiner

Primary Examiner—Caron Veynar

Assistant Examiner—Katrina A Kile

(74) *Attorney, Agent, or Firm*—Smith Patent Office

(57) **CLAIM**

The ornamental design for an instrument panel for a truck, as shown and described.

DESCRIPTION

FIG. 1 is a perspective view of an instrument panel for a truck showing my new design;

FIG. 2 is a top plan view thereof;

FIG. 3 is a front elevation view thereof;

FIG. 4 is a left side view thereof;

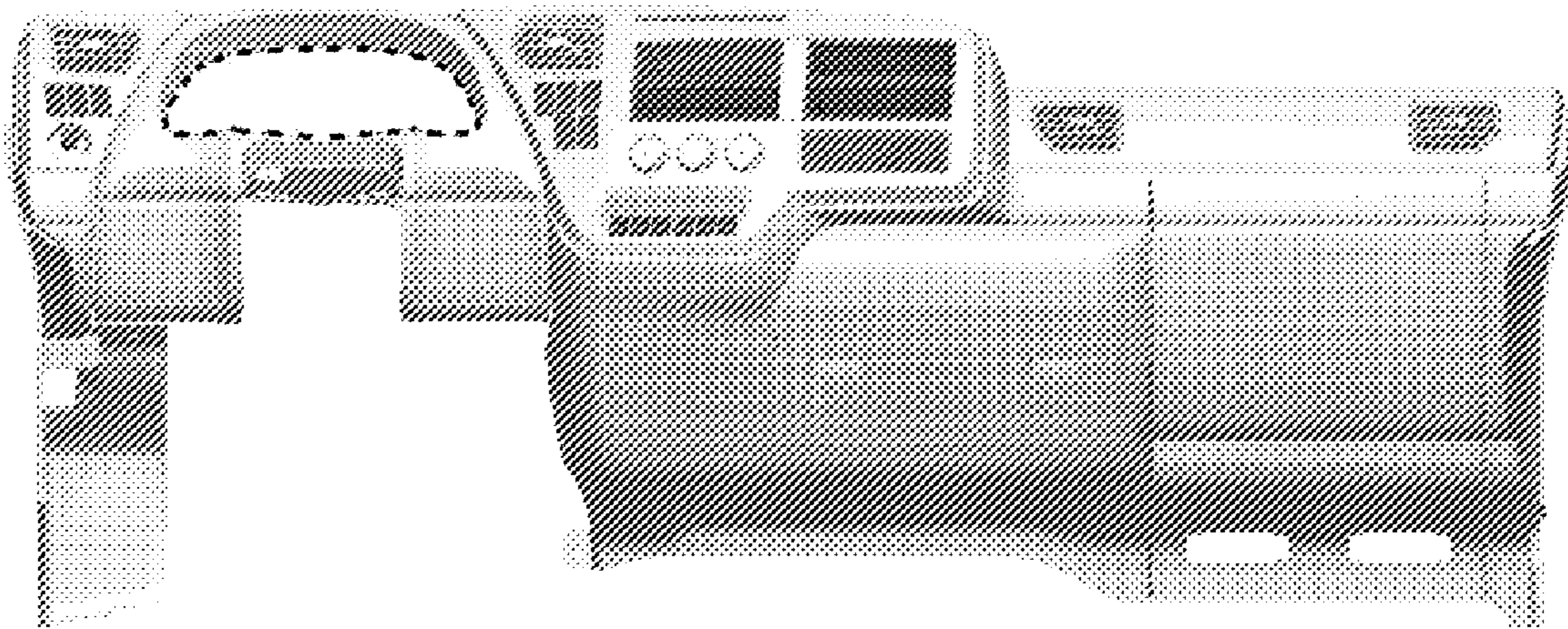
FIG. 5 is a right side view thereof;

FIG. 6 is a bottom plan view thereof; and,

FIG. 7 is a rear elevation view thereof.

In the drawings, the broken lines in FIGS. 1, 2 and 3 show the boundary and forms no part of the claimed design.

1 Claim, 3 Drawing Sheets



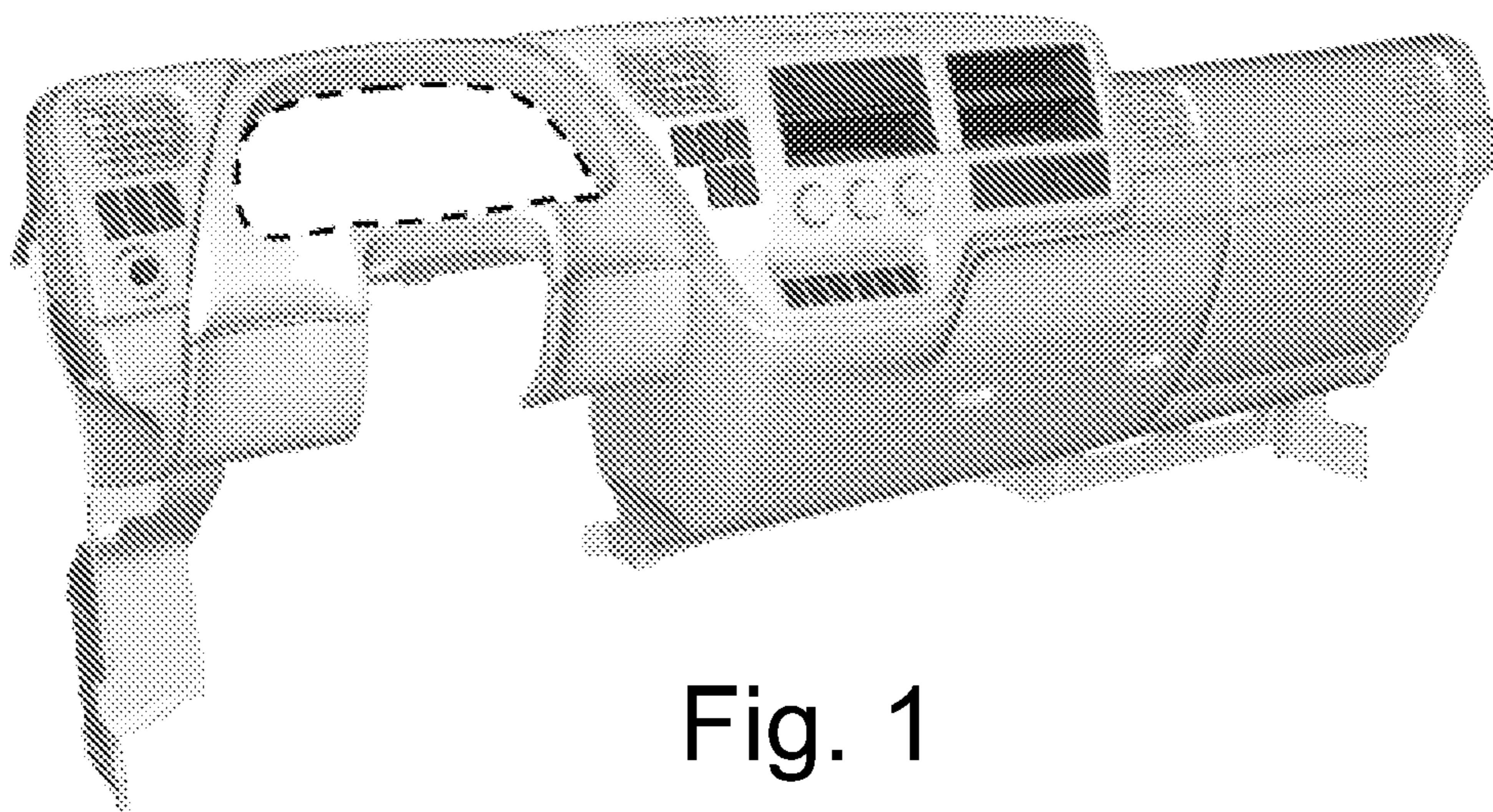


Fig. 1

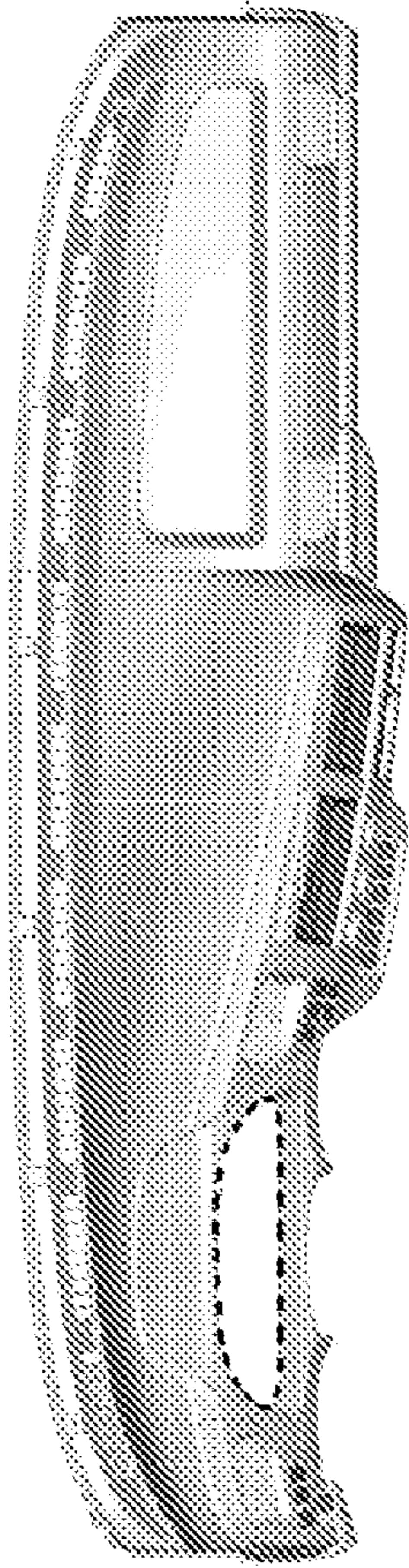


Fig.2

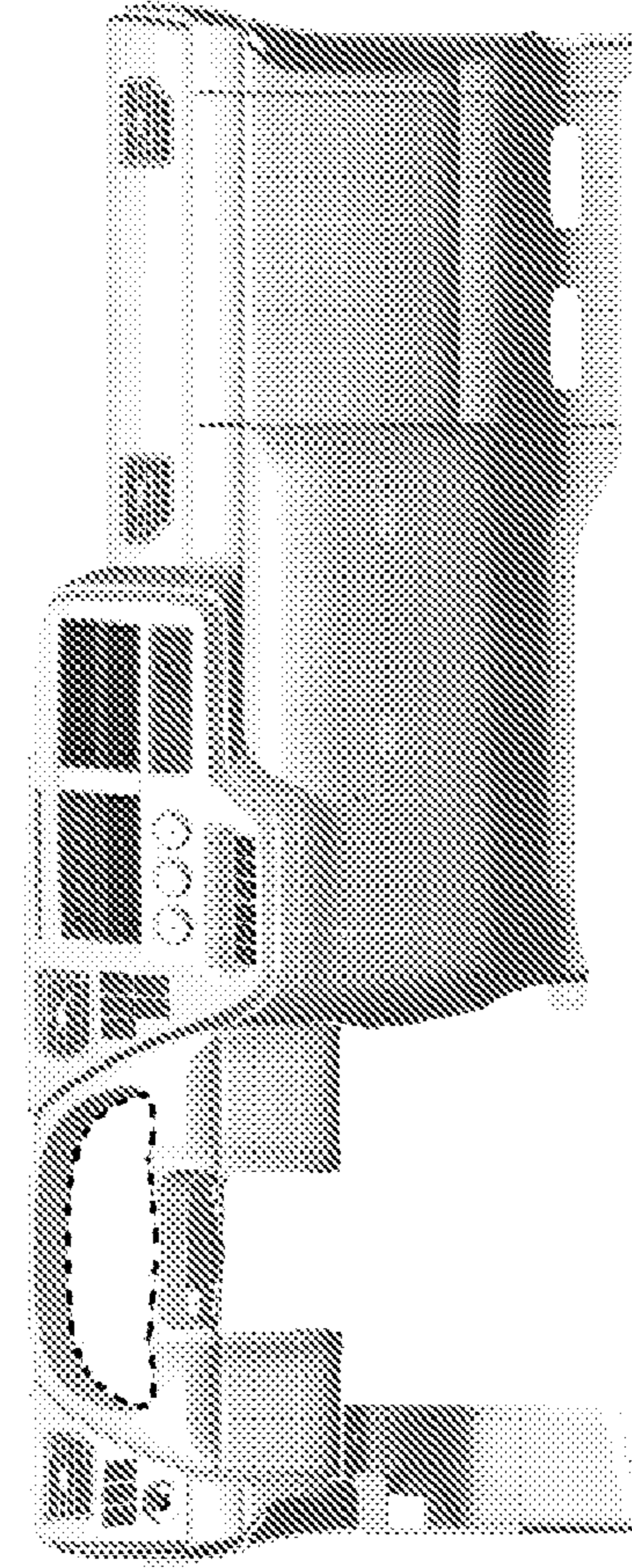


Fig.3



Fig.4

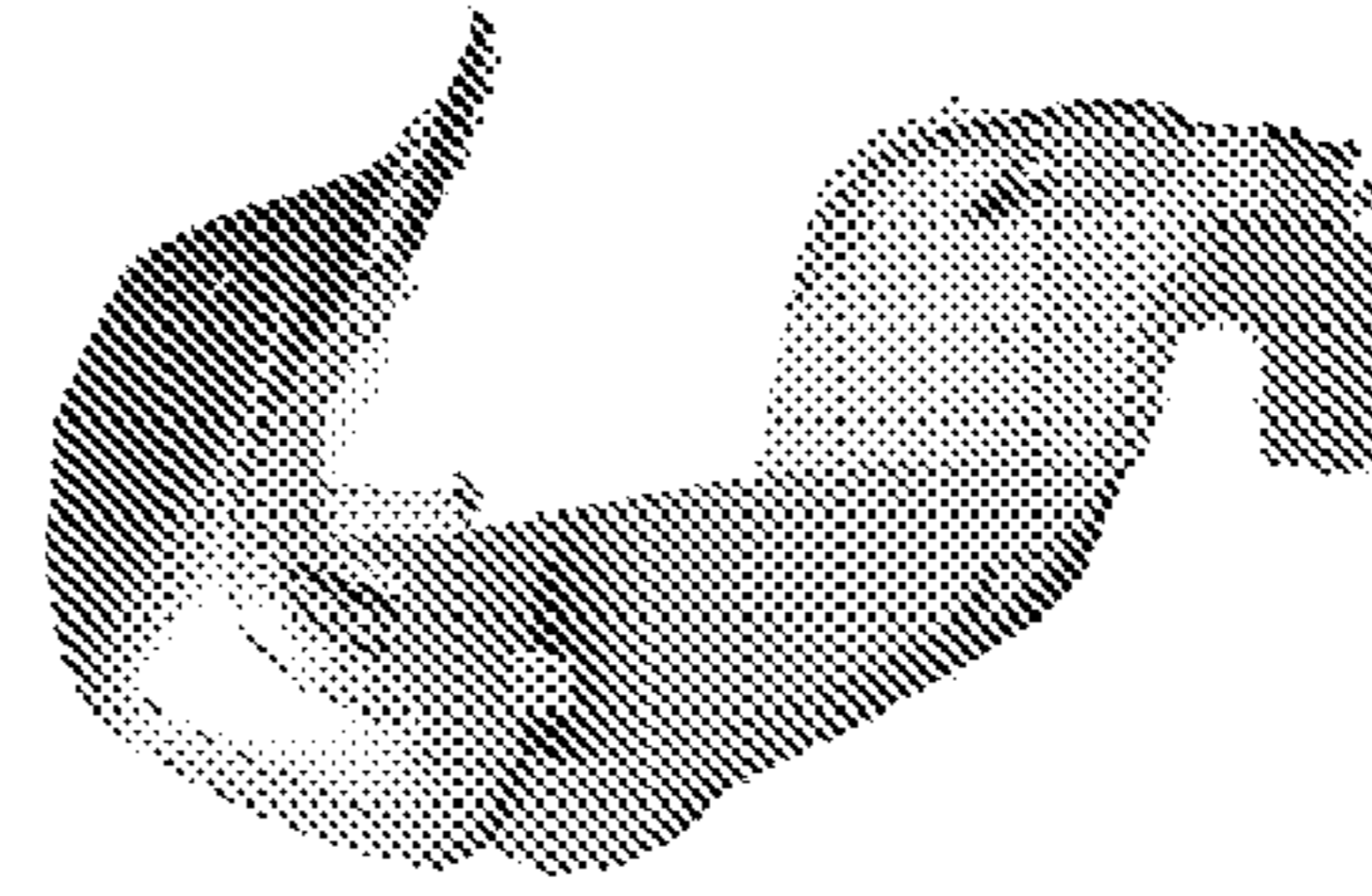


Fig.5

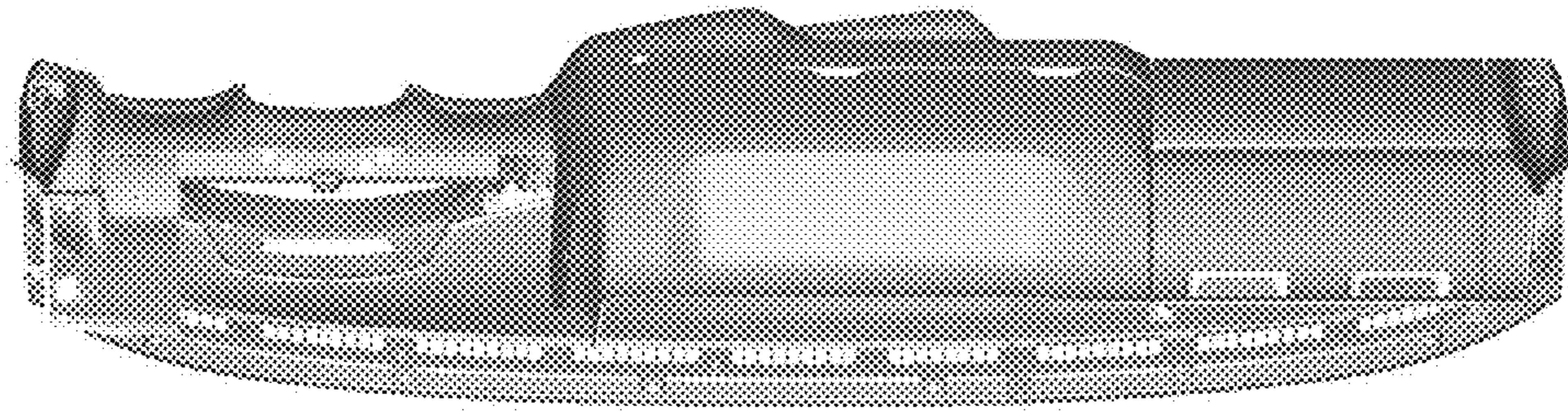


Fig. 6

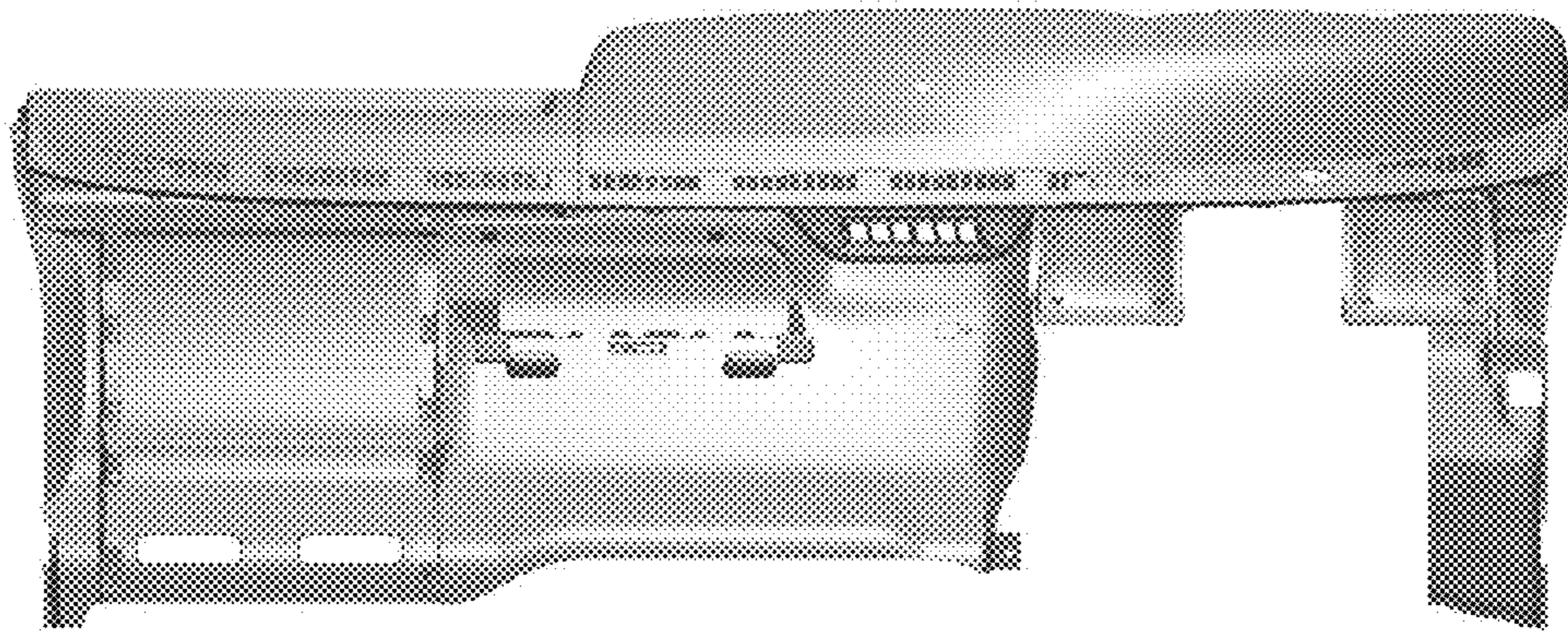


Fig. 7