



US00D632621S

(12) **United States Design Patent**
Dollery

(10) **Patent No.:** **US D632,621 S**

(45) **Date of Patent:** **** Feb. 15, 2011**

(54) **GAUGE POD**

D603,782 S * 11/2009 Wilhelm D12/415
D608,432 S * 1/2010 Aruga et al. D23/358

(75) Inventor: **Christopher Dollery**, Abington, PA
(US)

* cited by examiner

(73) Assignee: **Secor Limited**, Willow Grove, PA (US)

Primary Examiner—Caron Veynar

Assistant Examiner—Katrina A Kile

(**) Term: **14 Years**

(74) *Attorney, Agent, or Firm*—Carl H. Pierce; Reed Smith
LLP

(21) Appl. No.: **29/348,441**

(57) **CLAIM**

(22) Filed: **Jan. 5, 2010**

The ornamental design for a gauge pod, as shown and
described.

(51) **LOC (9) Cl.** **12-16**

(52) **U.S. Cl.** **D12/192**

(58) **Field of Classification Search** D12/192,
D12/415, 110, 114; 180/90; 280/750–752;
296/190.01–190.09, 191, 70; D15/17, 28;
D10/46, 98, 102–103, 122–127

DESCRIPTION

See application file for complete search history.

FIG. 1 is a top view of a gauge pod, in accordance with the
present invention;

FIG. 2 is a bottom view of the gauge pod shown in FIG. 1;

FIG. 3 is a front view of the gauge pod shown in FIG. 1;

FIG. 4 is a rear view of the gauge pod shown in FIG. 1;

FIG. 5 is a right view of the gauge pod shown in FIG. 1;

FIG. 6 is a left side view of the gauge pod shown in FIG. 1; and

FIG. 7 is a perspective view of the plug shown in FIG. 1,
viewed from above and to the right front of the gauge pod;
and,

FIG. 8 is a perspective view of the plug shown in FIG. 1,
viewed from below and to the left rear of the gauge pod.

(56) **References Cited**

U.S. PATENT DOCUMENTS

D308,570 S *	6/1990	Twito	D23/354
D370,723 S *	6/1996	Nishizawa	D23/387
D382,279 S *	8/1997	Goebert et al.	D15/31
D417,267 S *	11/1999	Sacco et al.	D23/327
D485,899 S *	1/2004	Marshall	D23/411
D508,122 S *	8/2005	Murphy	D23/387
D535,732 S *	1/2007	Klopp, III	D23/327
D542,898 S *	5/2007	Juraschek	D23/327
D578,454 S *	10/2008	Wyszogrod et al.	D12/192

1 Claim, 4 Drawing Sheets

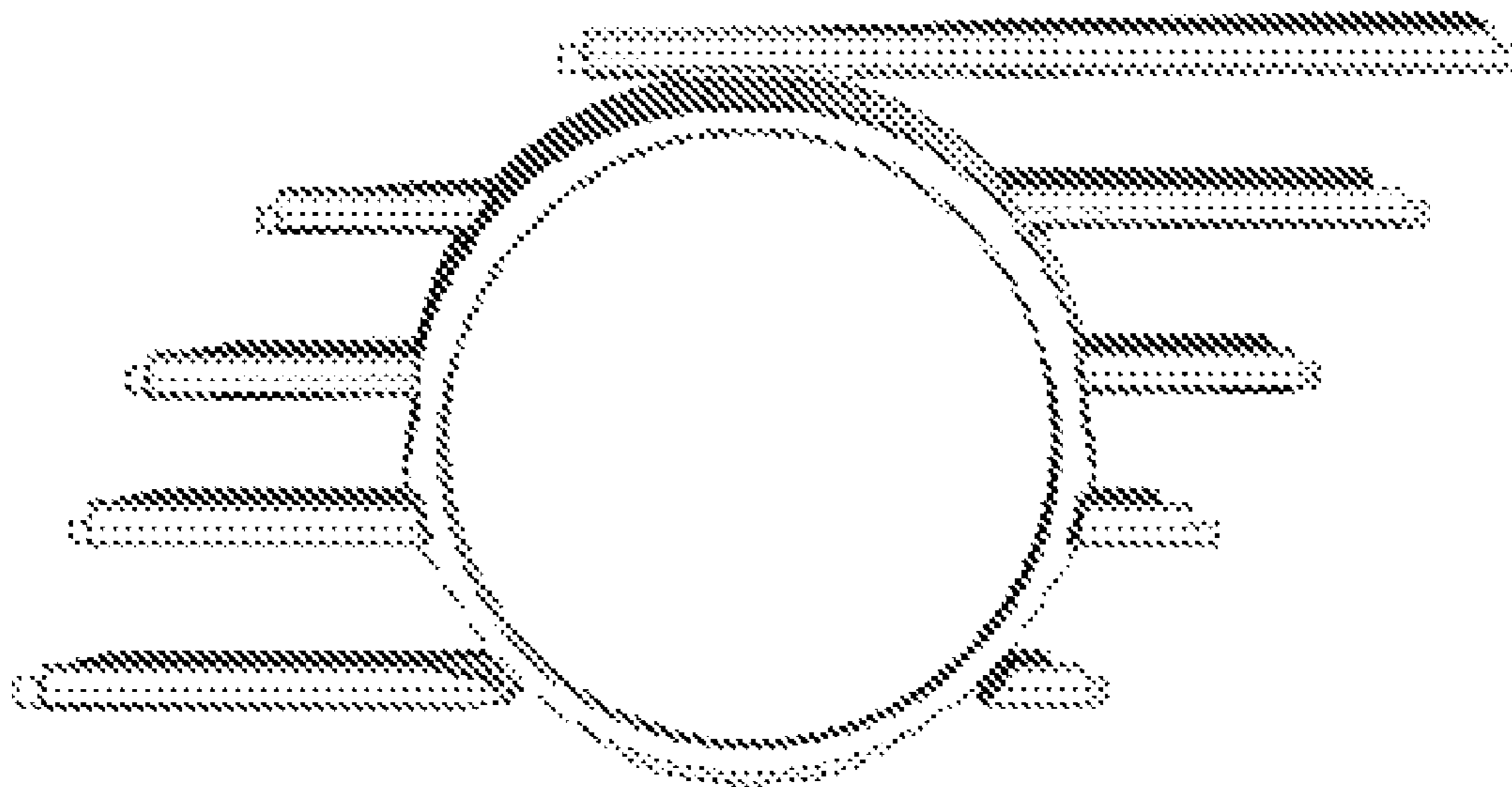


FIG. 1

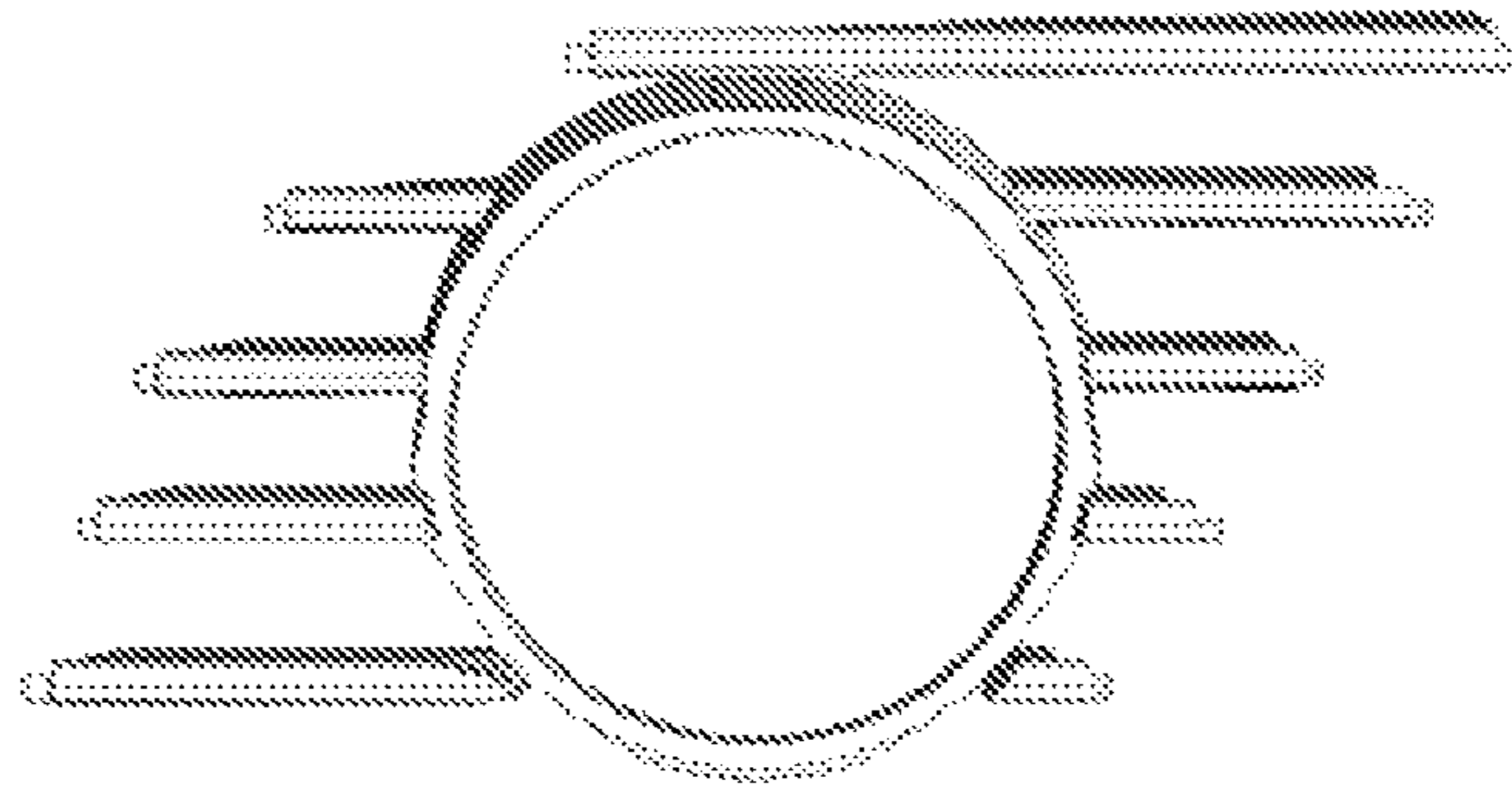


FIG. 2

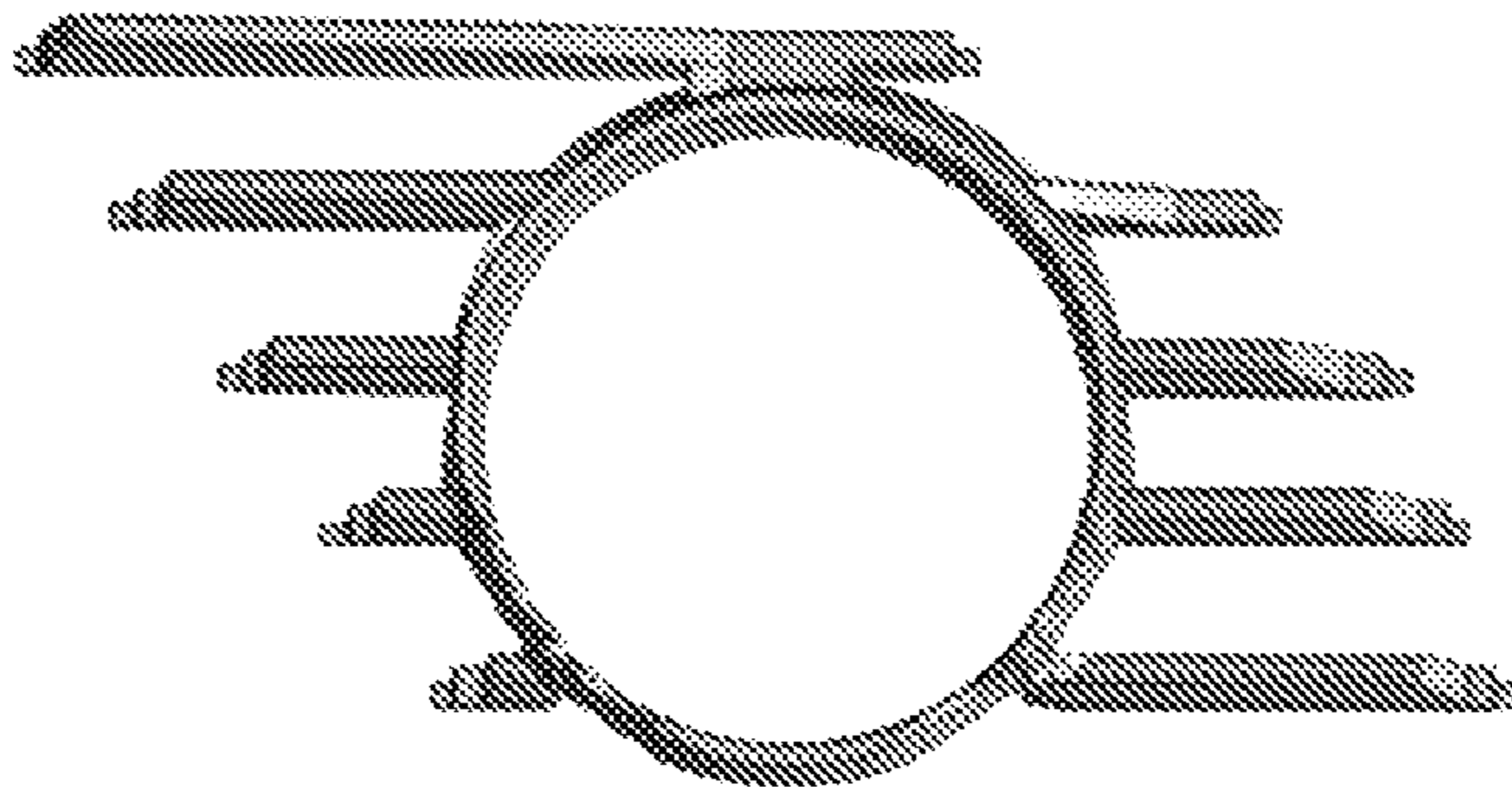


FIG. 3

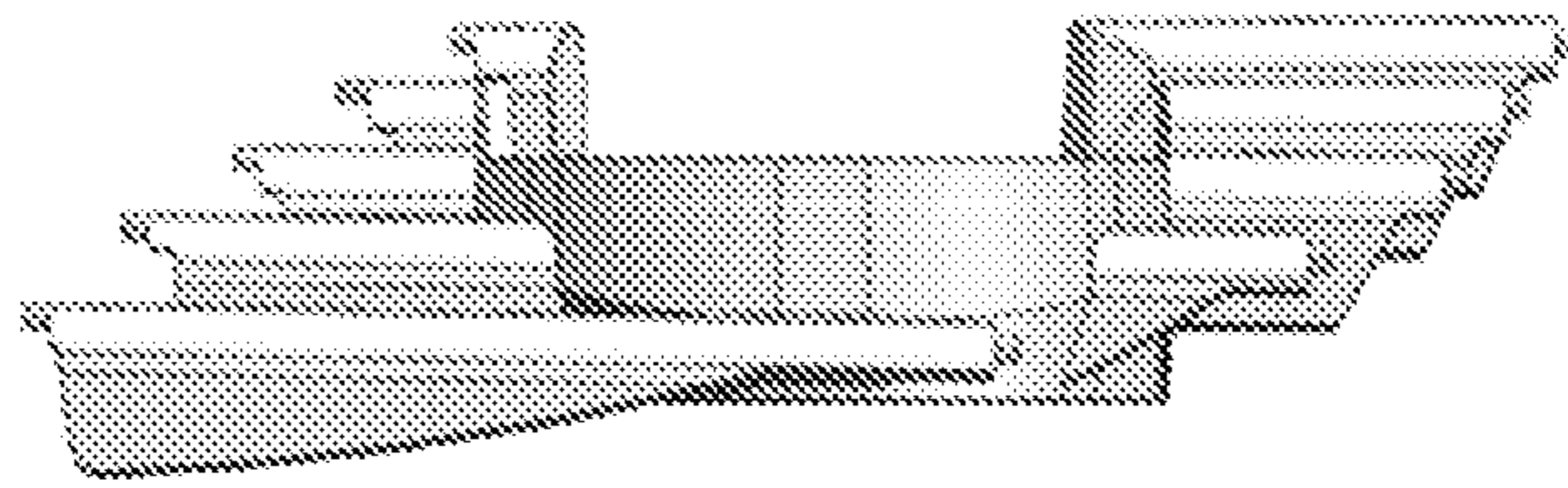


FIG. 4

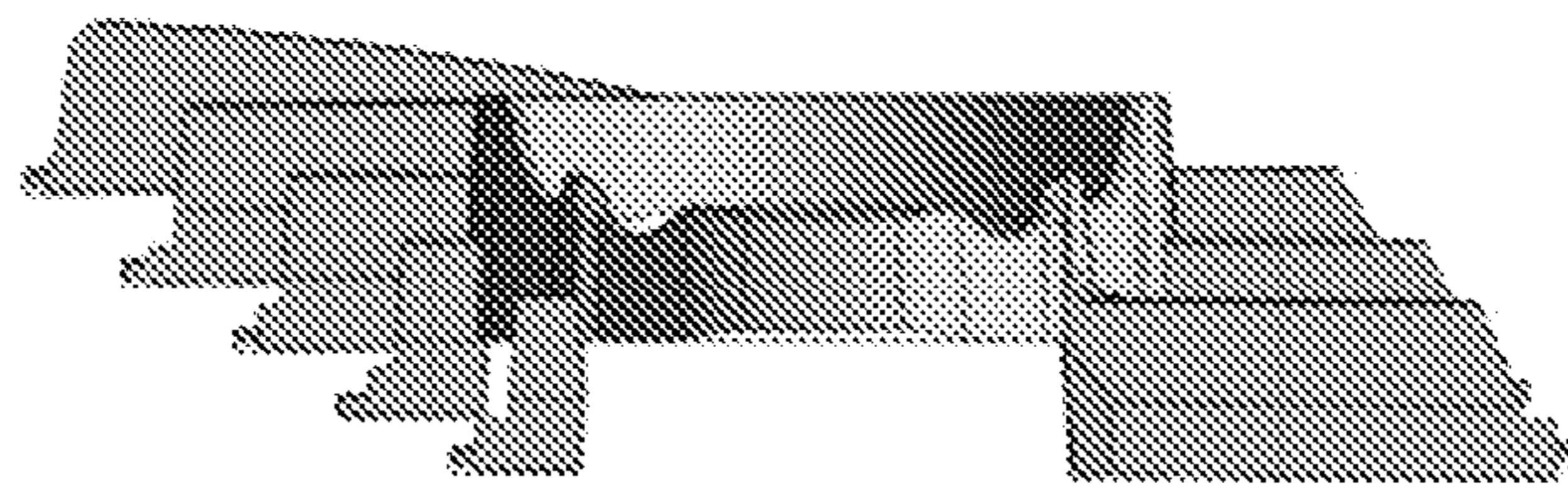


FIG. 5

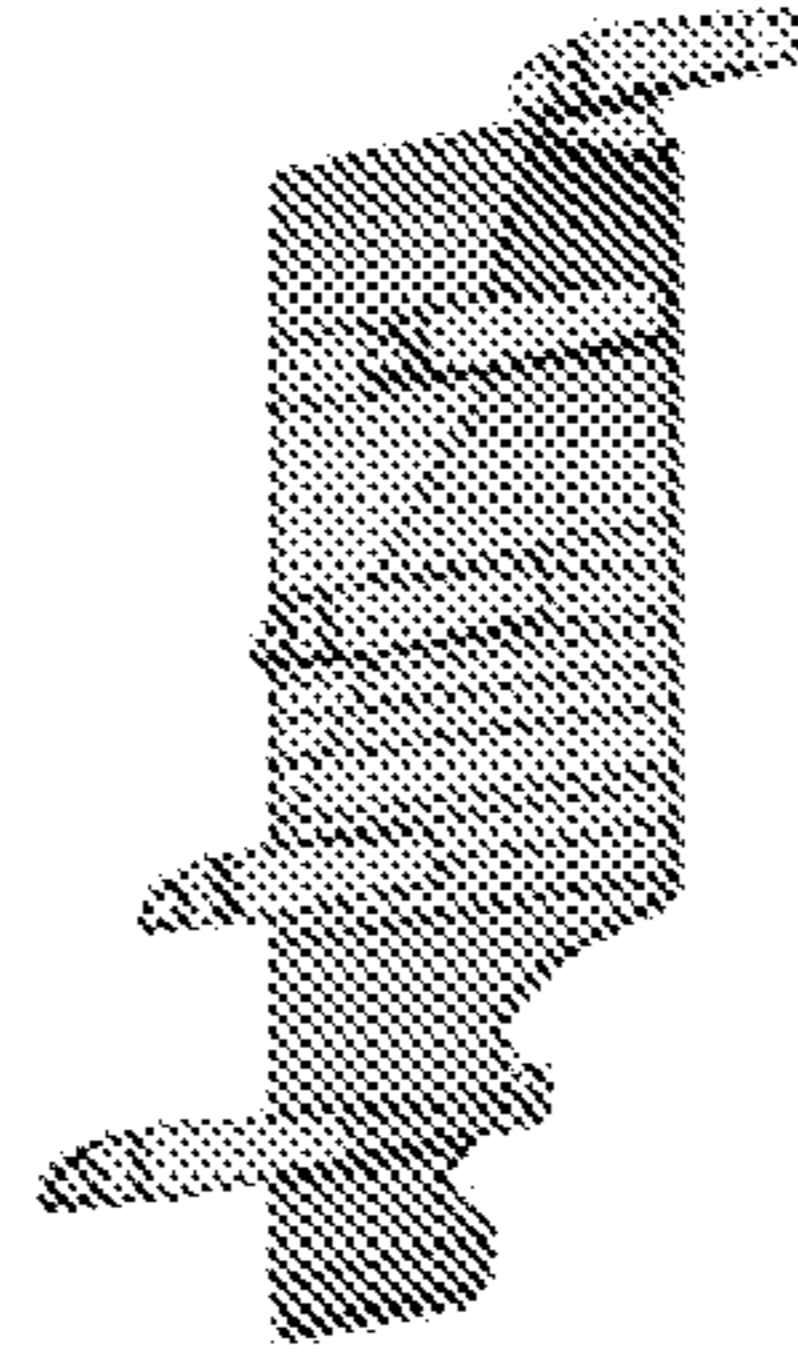


FIG. 6

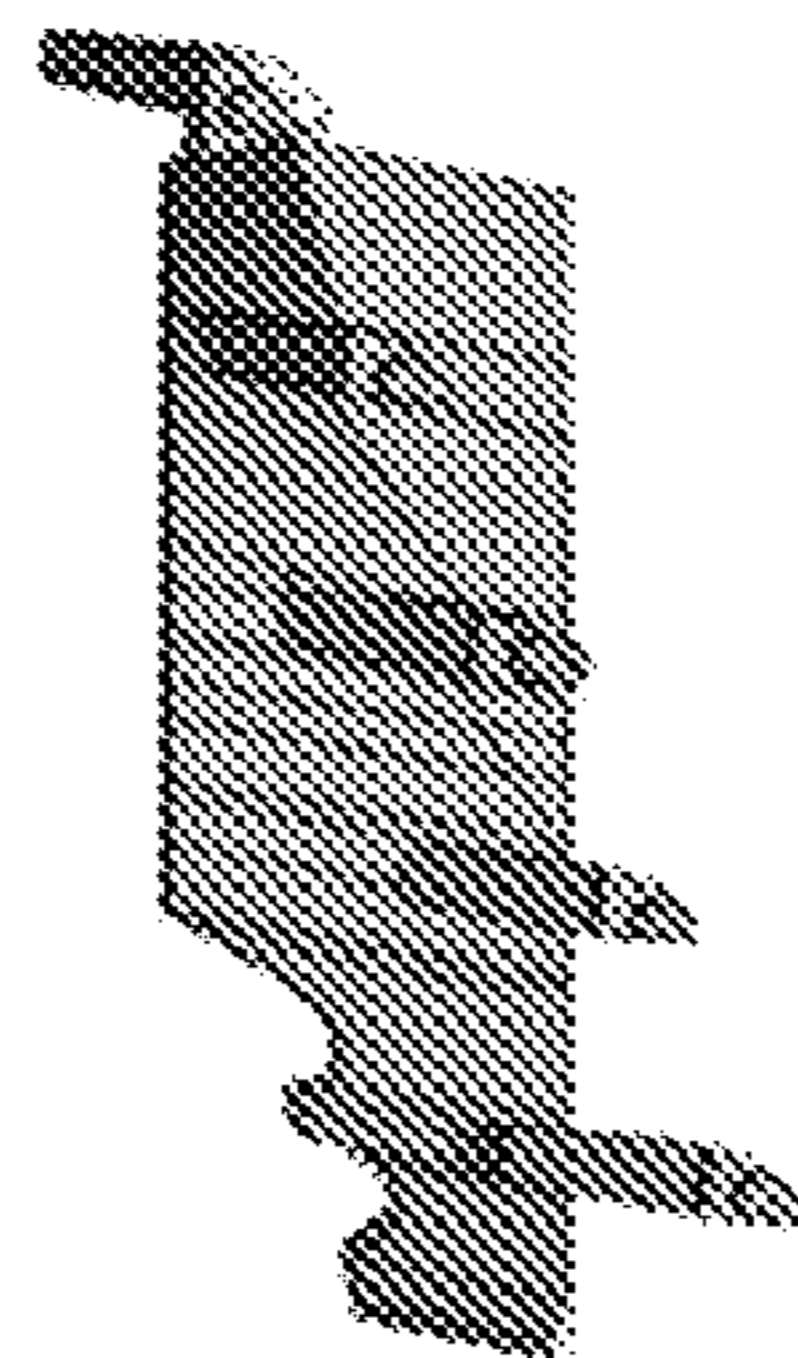


FIG. 7

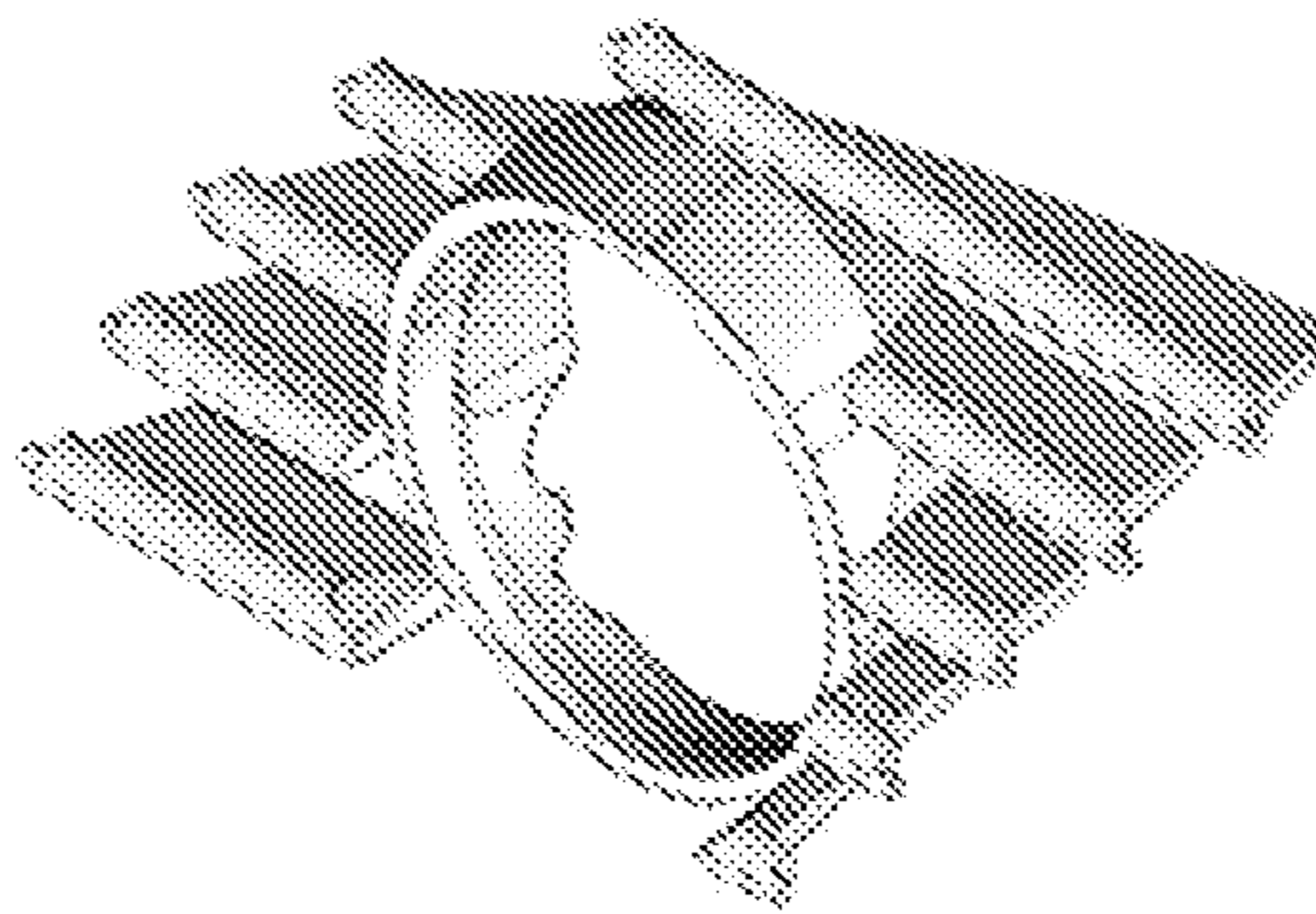


FIG. 8

