



US00D632618S

(12) **United States Design Patent**
Zimmer

(10) **Patent No.:** **US D632,618 S**

(45) **Date of Patent:** **** Feb. 15, 2011**

(54) **SUSPENSION CONTROL ARM FOR A MOTOR COACH**

D555,548 S * 11/2007 Nelson et al. D12/159
7,481,441 B2 * 1/2009 Kirkham 280/93.512
7,722,064 B2 * 5/2010 Stuart et al. 280/124.128

(75) Inventor: **Scott Zimmer**, Elmira, OR (US)

(73) Assignee: **Source Manufacturing, LLC**, Elmira, OR (US)

(**) Term: **14 Years**

(21) Appl. No.: **29/348,524**

(22) Filed: **Jan. 14, 2010**

(51) **LOC (9) Cl.** **12-16**

(52) **U.S. Cl.** **D12/159**

(58) **Field of Classification Search** D12/159,
D12/400, 340, 161, 120, 118, 114, 160; 280/124.128,
280/124.13, 124.134, 124.35, 124.153, 124.106,
280/124.135, 124.149, 124.137

See application file for complete search history.

(56) **References Cited**

U.S. PATENT DOCUMENTS

D197,709 S * 3/1964 Silver et al. D12/162
3,625,545 A * 12/1971 Somers et al. 280/170
3,788,629 A * 1/1974 Johnson 267/66
RE30,308 E * 6/1980 Masser 280/86.75
5,326,128 A * 7/1994 Cromley, Jr. 280/656
D369,333 S * 4/1996 Juarez D12/159
D385,836 S * 11/1997 Stoltzfus D12/159
6,416,136 B1 * 7/2002 Smith 301/128
6,447,073 B1 * 9/2002 Goettker 301/127
6,814,188 B1 * 11/2004 Heckert 187/269
7,178,817 B1 2/2007 Welles et al.

OTHER PUBLICATIONS

Photo of a pair (left and right) of suspension control arms for a Monaco Coach motorhome, 2002-2009. Note that one of the two arms is broken.

* cited by examiner

Primary Examiner—Celia A Murphy
Assistant Examiner—John Windmuller

(74) *Attorney, Agent, or Firm*—Portland Intellectual Property, LLC

(57) **CLAIM**

The ornamental design for a suspension control arm for a motor coach, substantially as shown and described.

DESCRIPTION

FIG. 1 is a front, left side isometric view of a suspension control arm for a motor coach showing our new design.

FIG. 2 is a front view thereof.

FIG. 3 is back view thereof.

FIG. 4 is a left side view thereof.

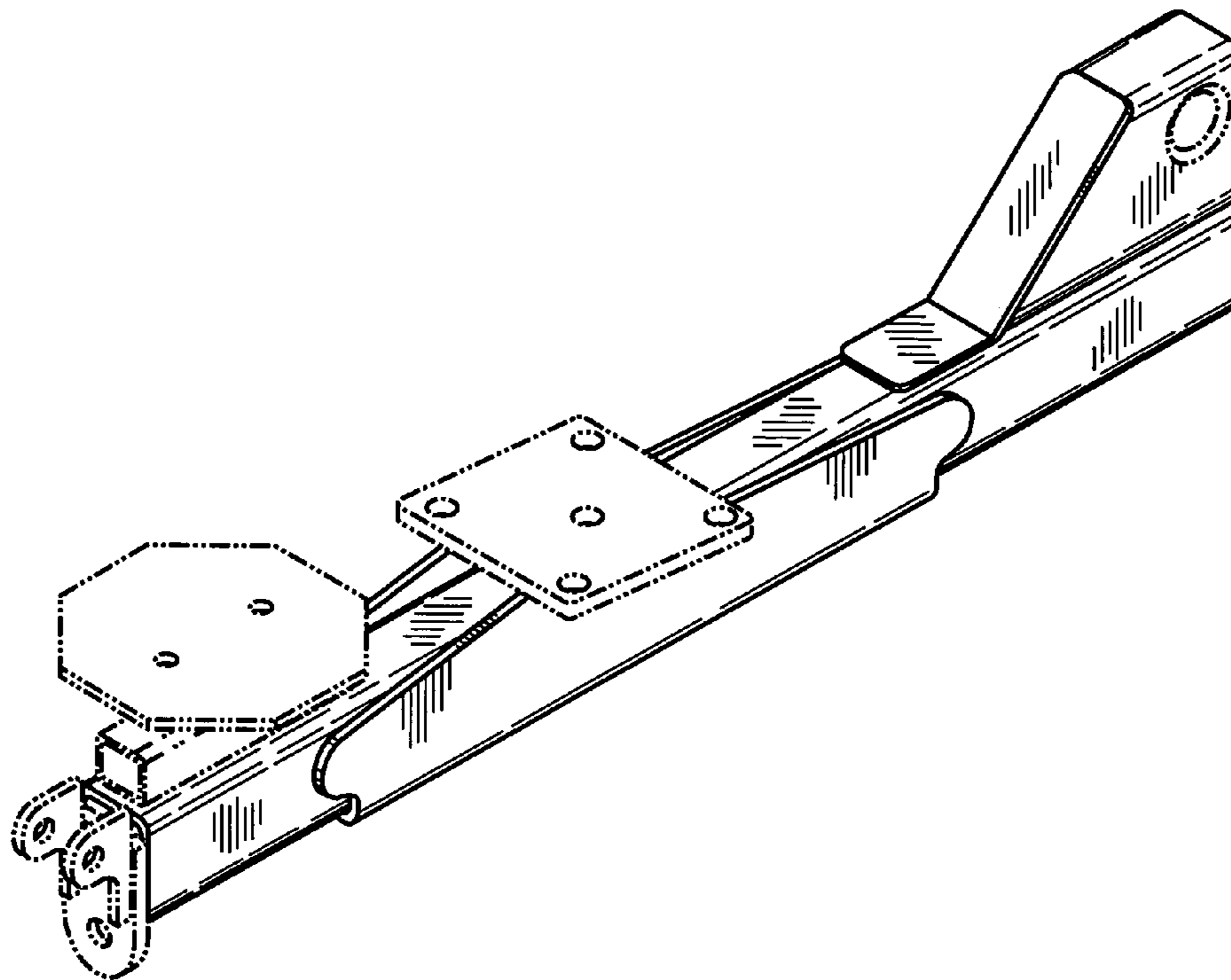
FIG. 5 is a right side view thereof.

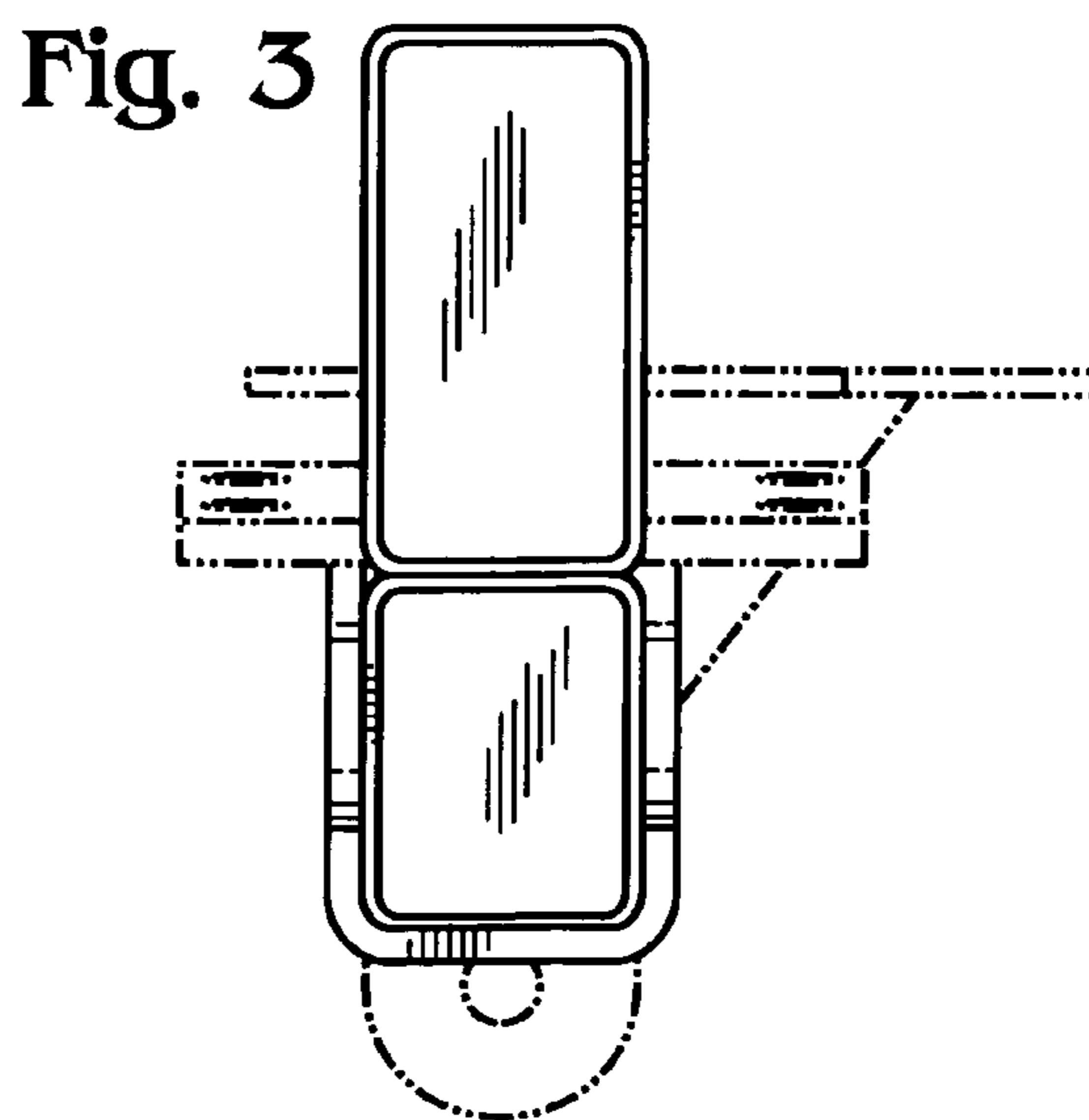
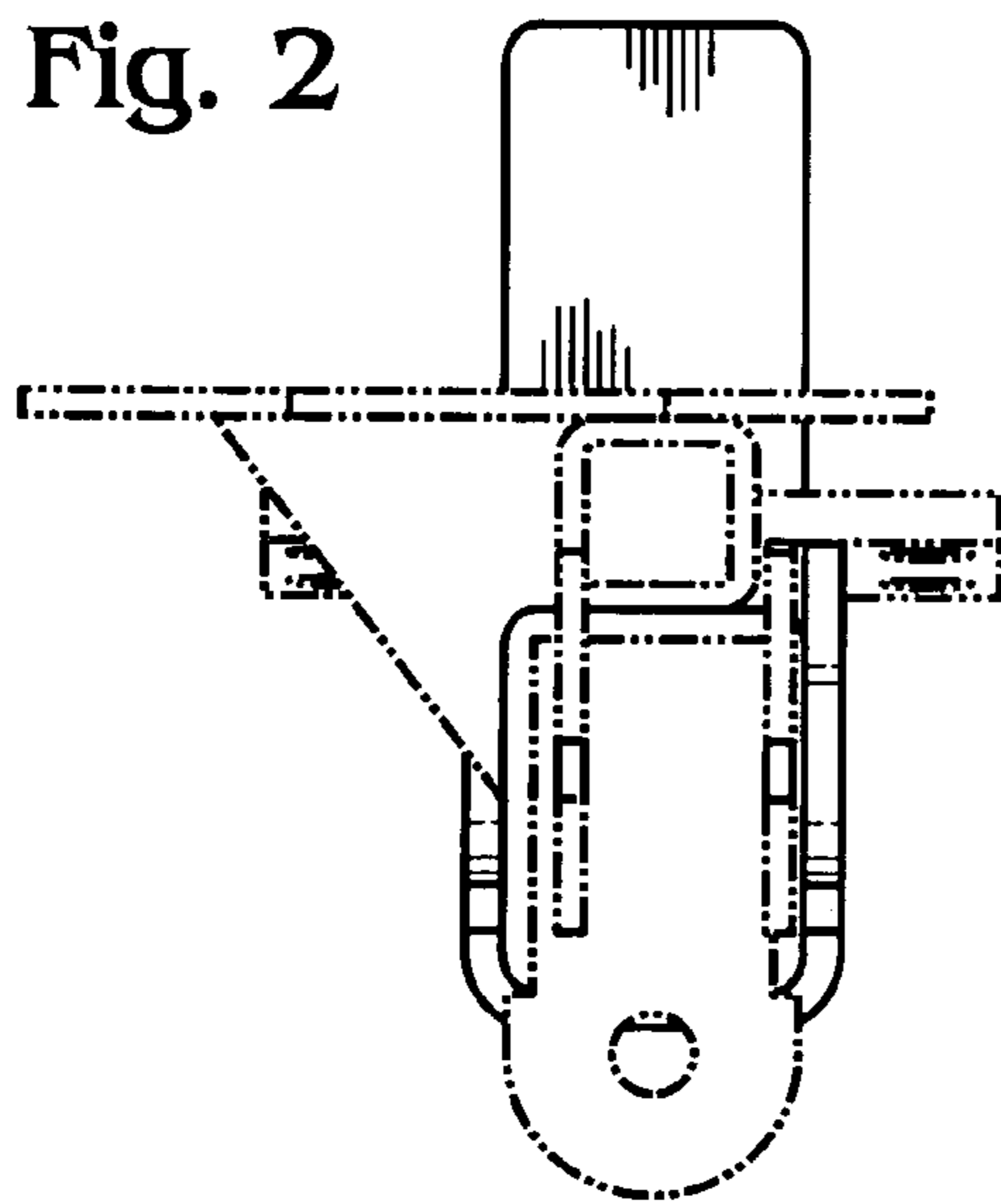
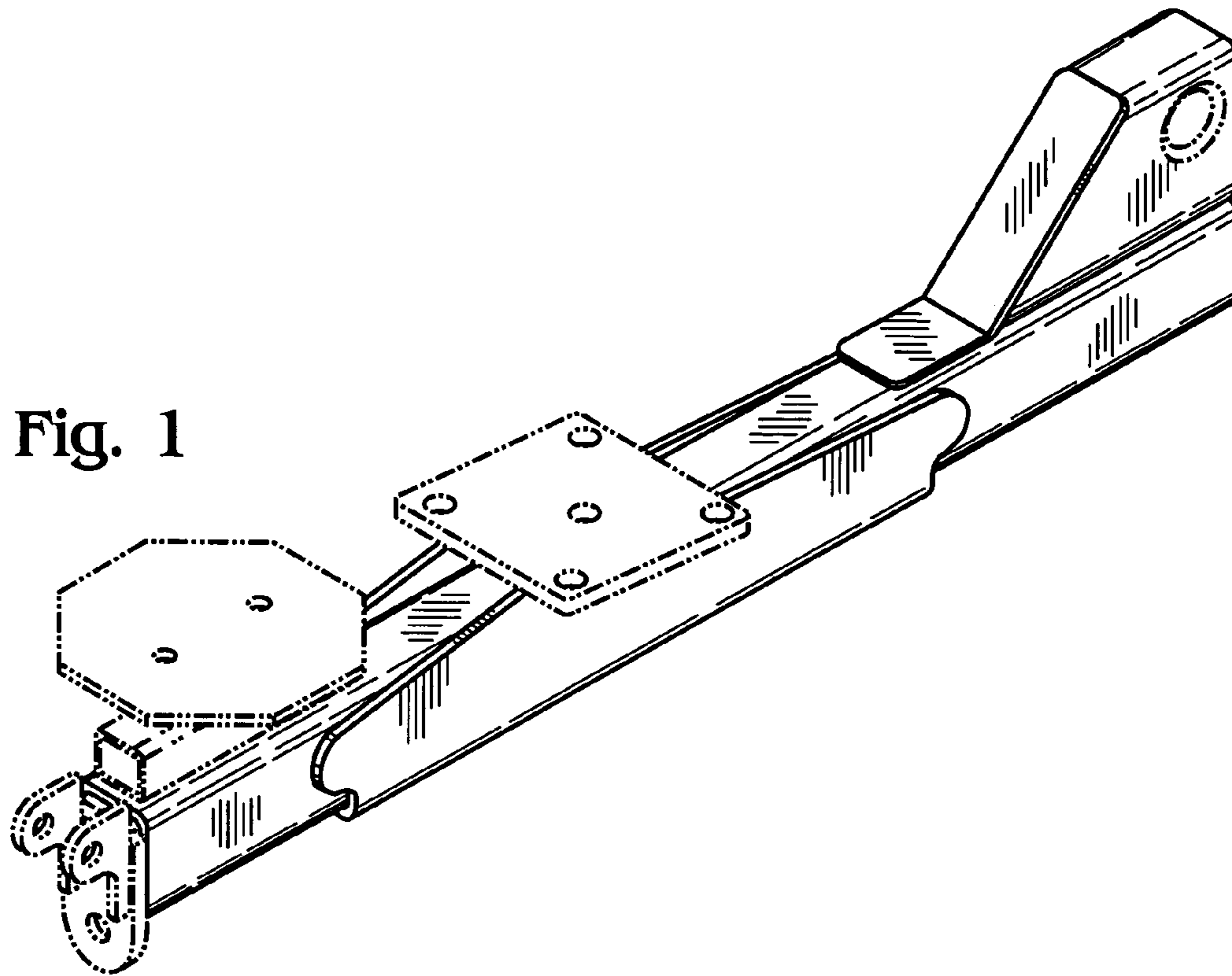
FIG. 6 is a bottom view thereof; and,

FIG. 7 is a top view thereof.

The broken lines in the figures depict portions of the suspension control arm that form no part of the claimed design.

1 Claim, 3 Drawing Sheets





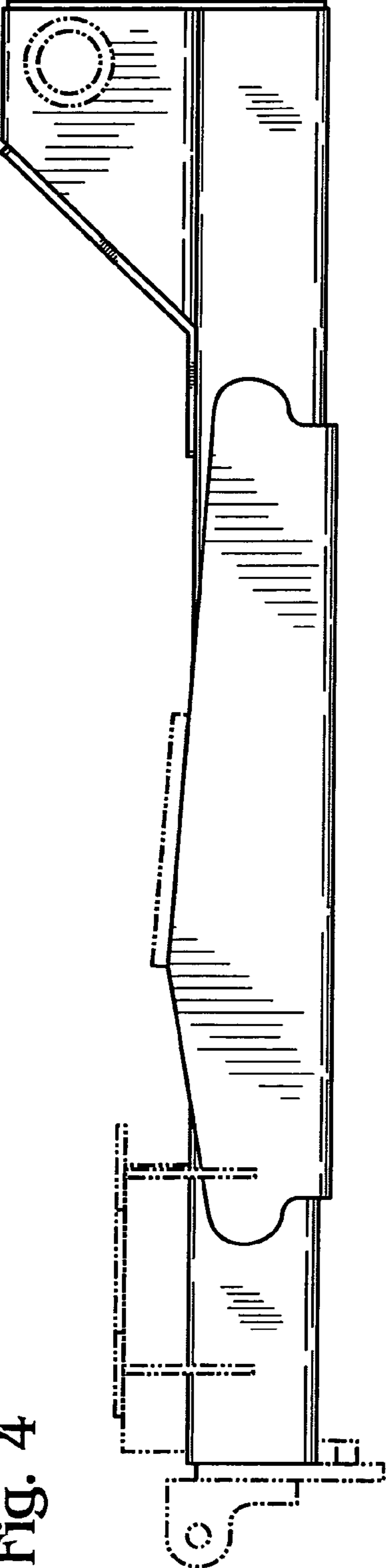


Fig. 4

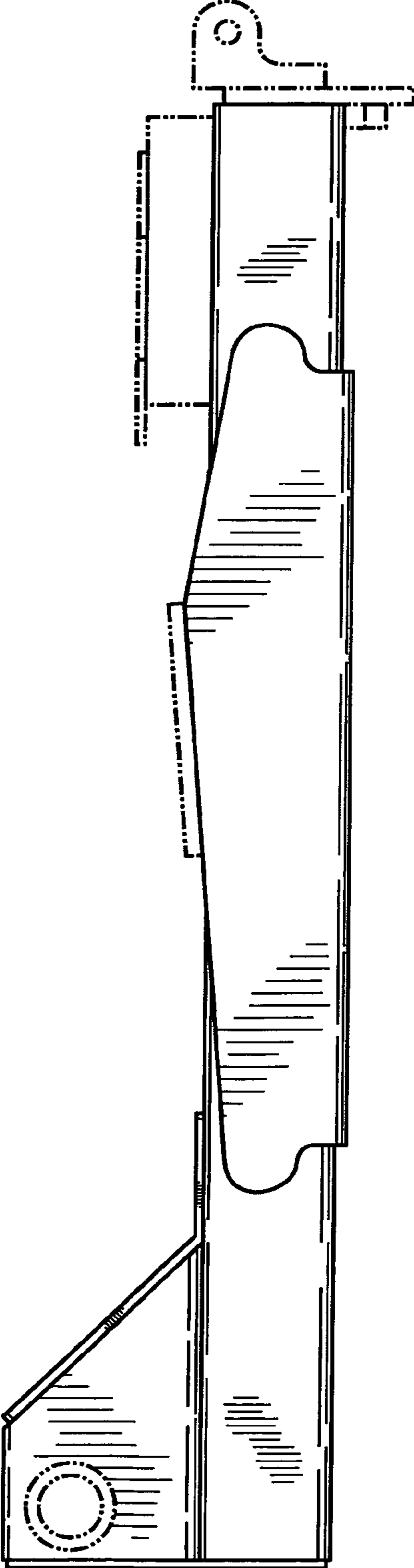


Fig. 5

