



US00D632615S

(12) **United States Design Patent**
Uimonen

(10) **Patent No.:** **US D632,615 S**
(45) **Date of Patent:** **** Feb. 15, 2011**

(54) **FOLDING BICYCLE FRAME**

(75) Inventor: **Joakim Uimonen**, Sanchong (TW)

(73) Assignee: **Dahon and Hon Industrial Labs., Ltd.**,
Sanchong (TW)

(**) Term: **14 Years**

(21) Appl. No.: **29/366,638**

(22) Filed: **Jul. 28, 2010**

Related U.S. Application Data

(62) Division of application No. 29/311,981, filed on Aug. 12, 2009, now Pat. No. Des. 622,638.

(51) **LOC (9) Cl.** **12-11**

(52) **U.S. Cl.** **D12/111**

(58) **Field of Classification Search** D12/111,
D12/117; 280/274, 281.1, 275-280, 288.1-288.4,
280/259, 260, 265, 267, 283-288

See application file for complete search history.

(56) **References Cited**

U.S. PATENT DOCUMENTS

3,722,913 A 3/1973 Housayama
D273,484 S 4/1984 Herbert
4,460,192 A 7/1984 Takamiya et al.

6,032,971 A 3/2000 Herder
D487,234 S 3/2004 Chen et al.
7,393,125 B1 7/2008 Lai
7,591,473 B2 9/2009 Tak-Wei Hon et al.

Primary Examiner—Philip S Hyder
Assistant Examiner—Linda G. Brooks
(74) *Attorney, Agent, or Firm*—Bacon & Thomas, PLLC

(57) **CLAIM**

The ornamental design for a folding bicycle frame, as shown and described.

DESCRIPTION

FIG. 1 is a perspective view of a folding bicycle frame in accordance with my design;

FIG. 2 is a front view of FIG. 1;

FIG. 3 is a rear view of FIG. 1;

FIG. 4 is a left view of FIG. 1;

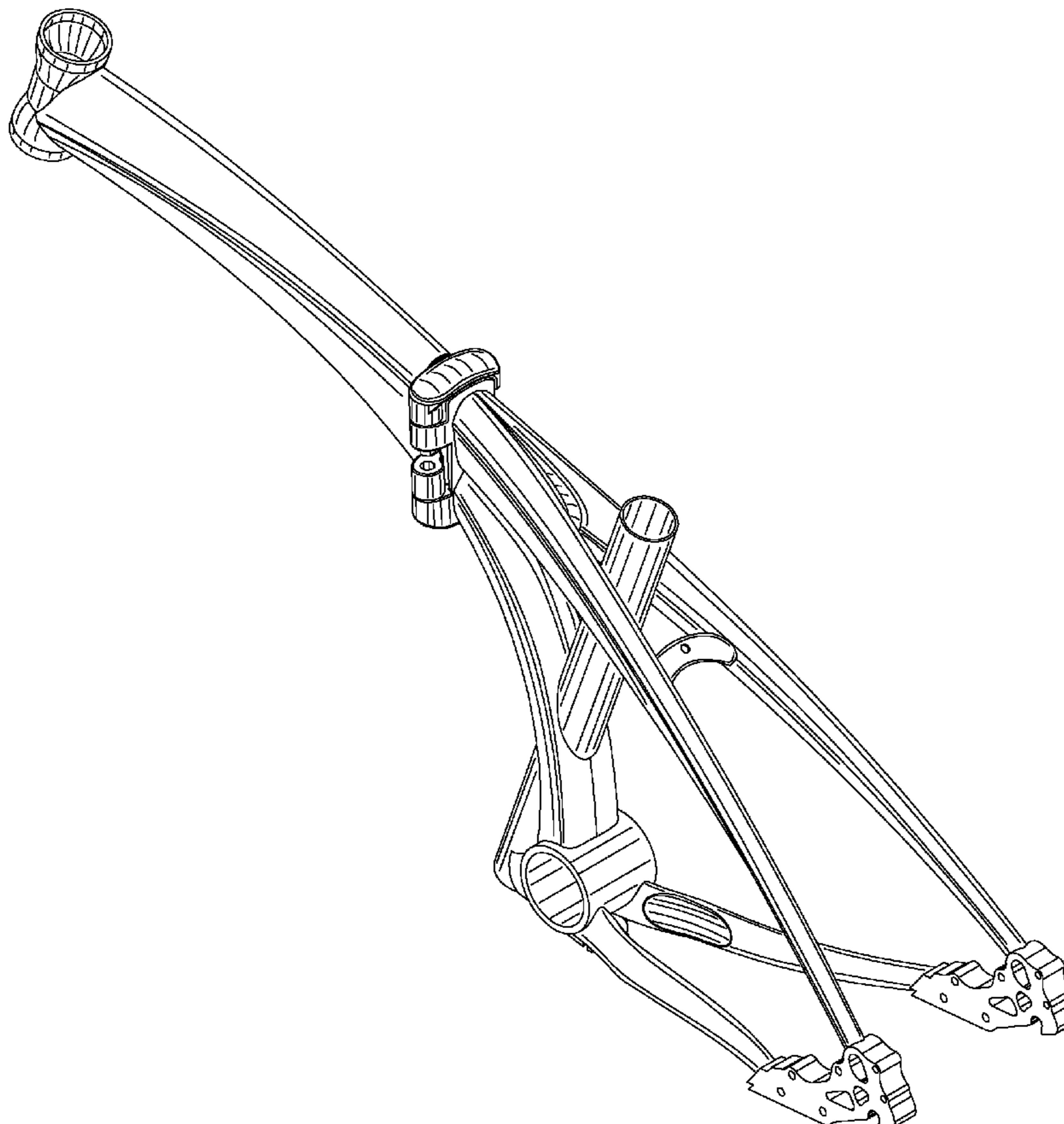
FIG. 5 is a right view of FIG. 1;

FIG. 6 is a top view of FIG. 1;

FIG. 7 is a bottom view of FIG. 1; and,

FIG. 8 is a front, bottom and right side perspective view of FIG. 1.

1 Claim, 8 Drawing Sheets



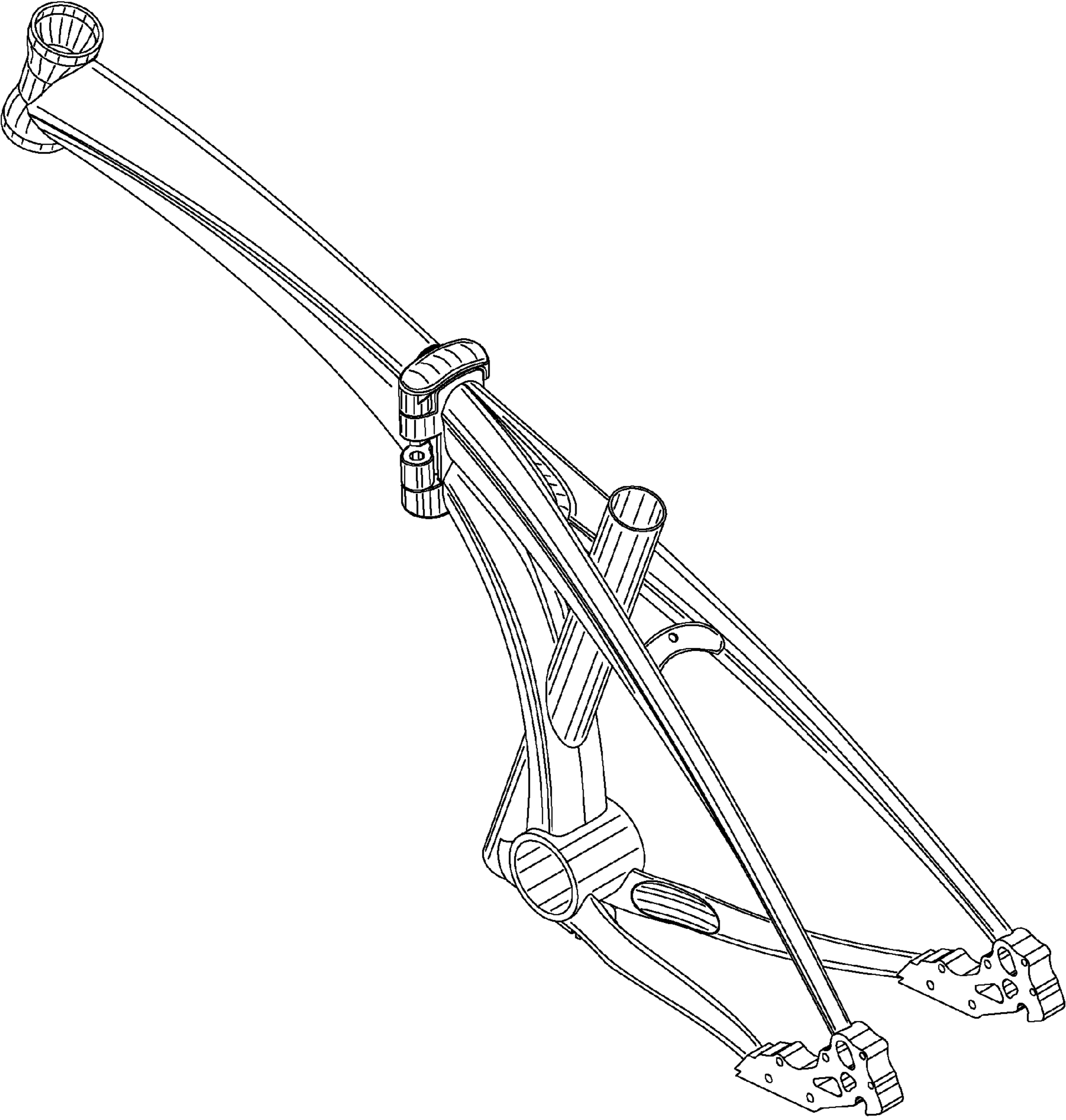


FIG. 1

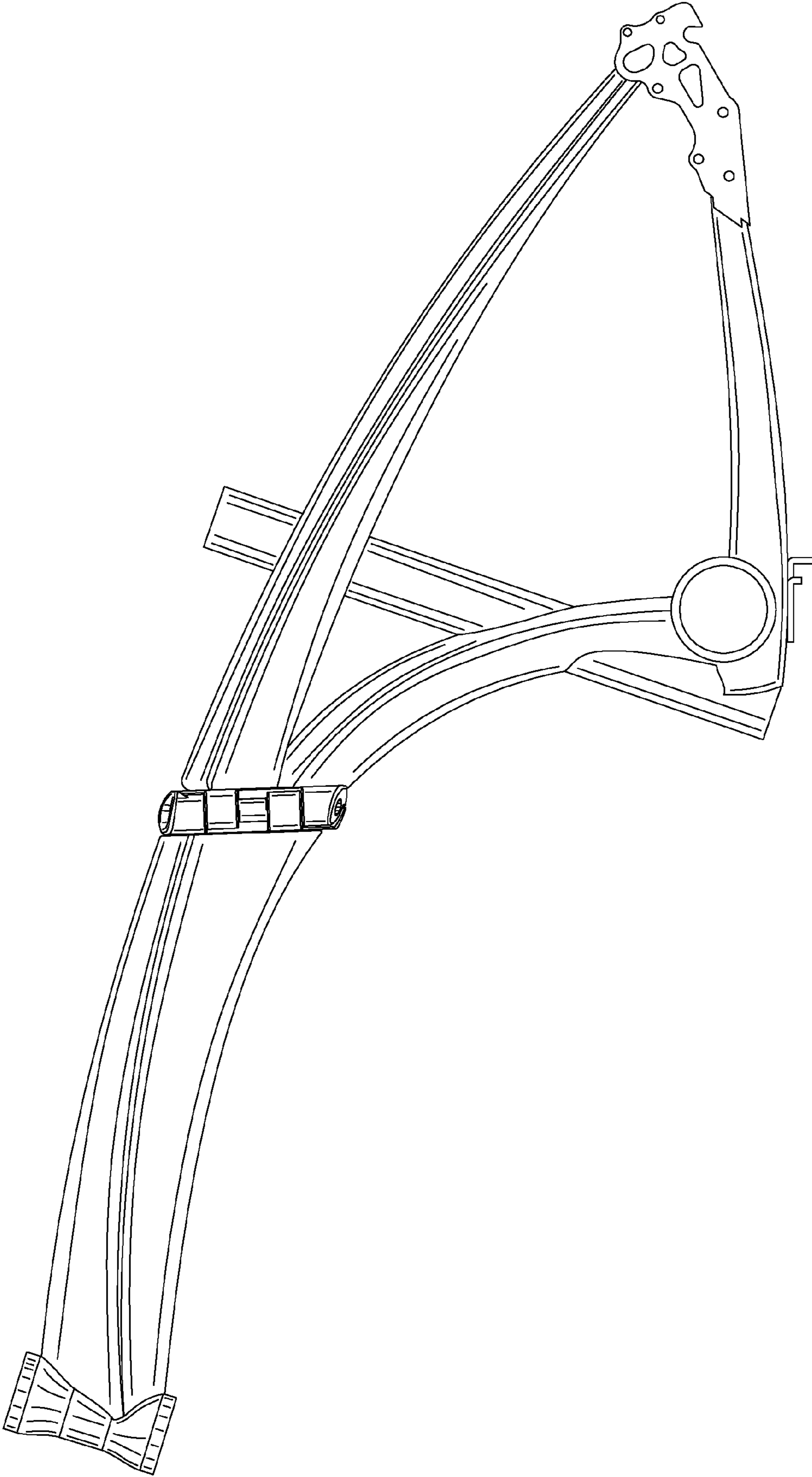


FIG. 2

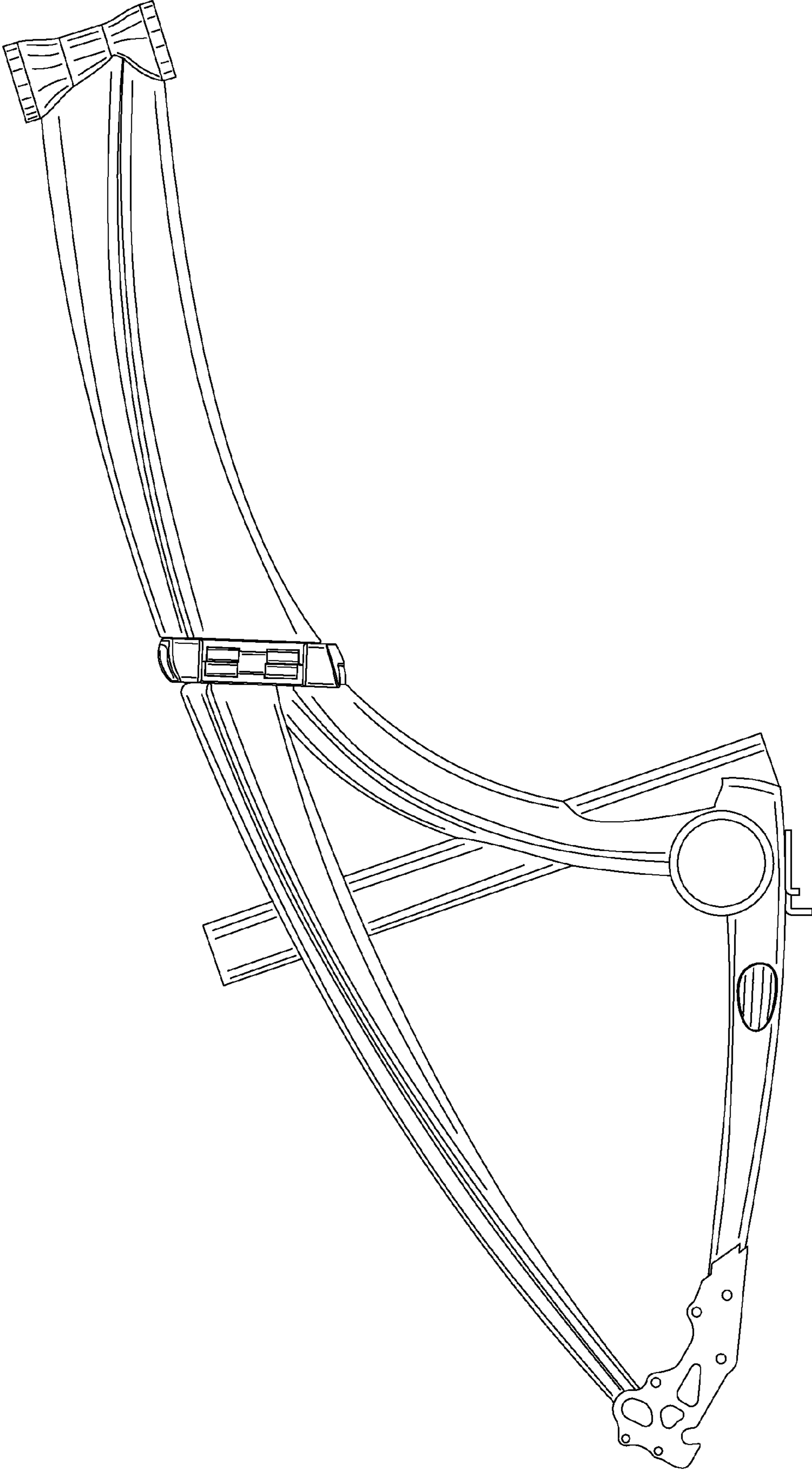


FIG. 3

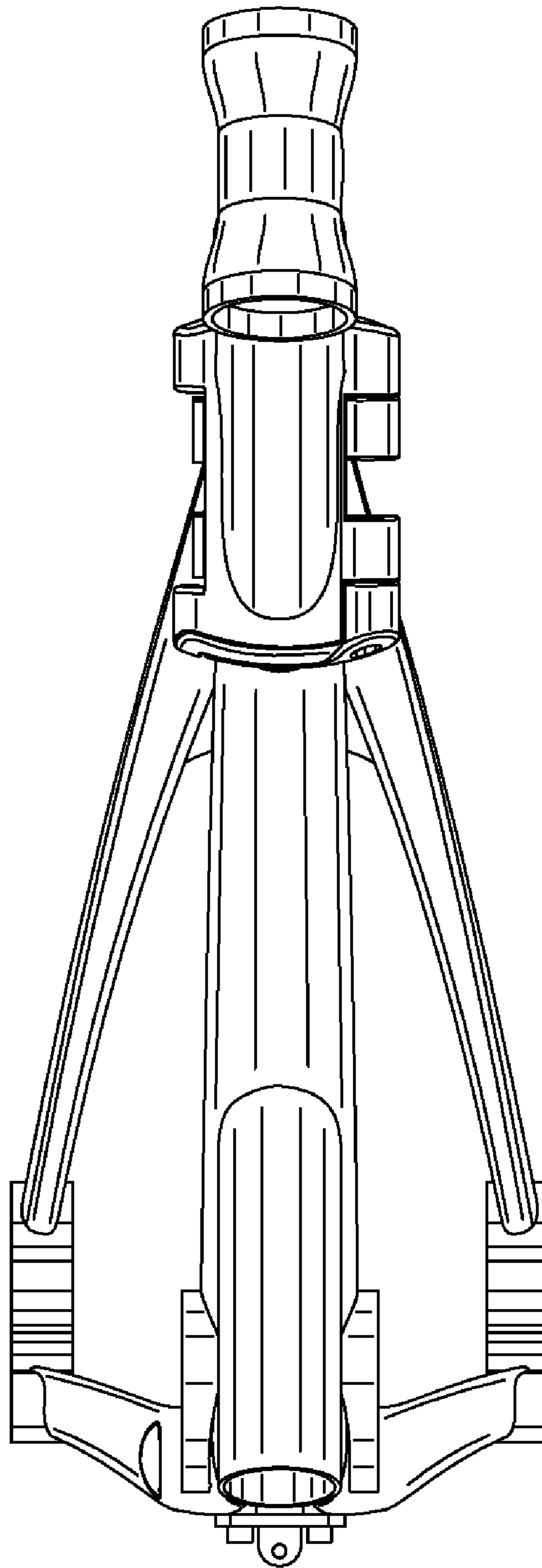


FIG. 4

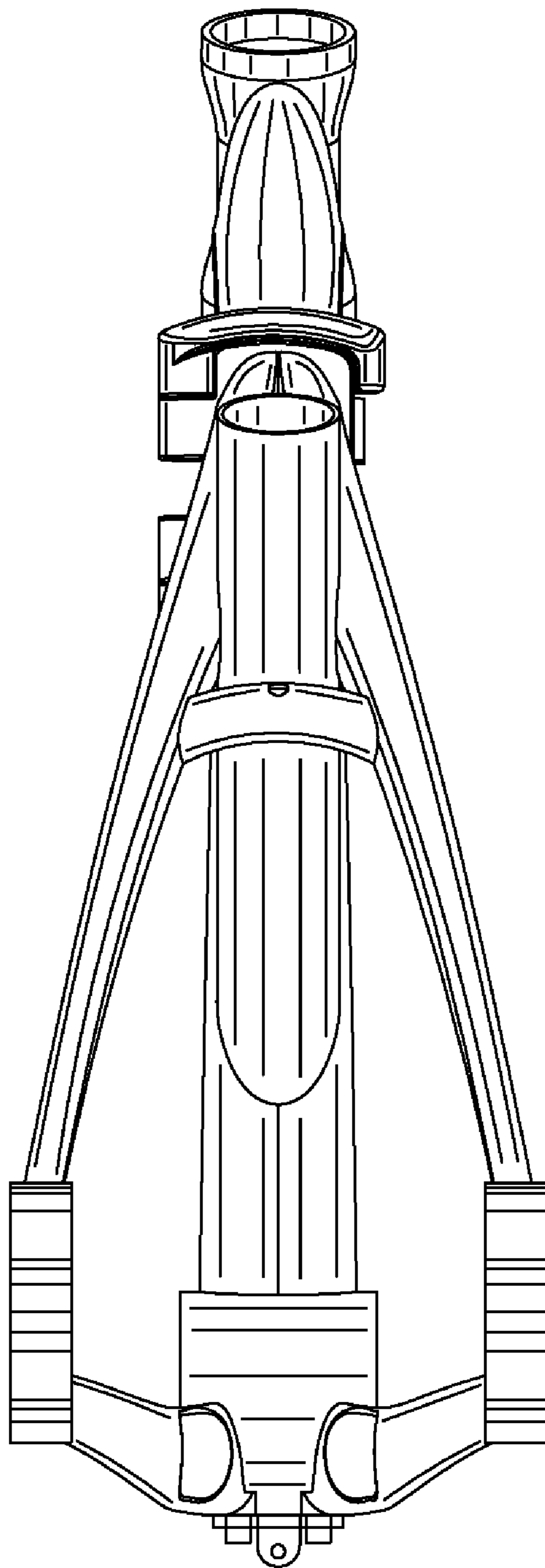


FIG. 5

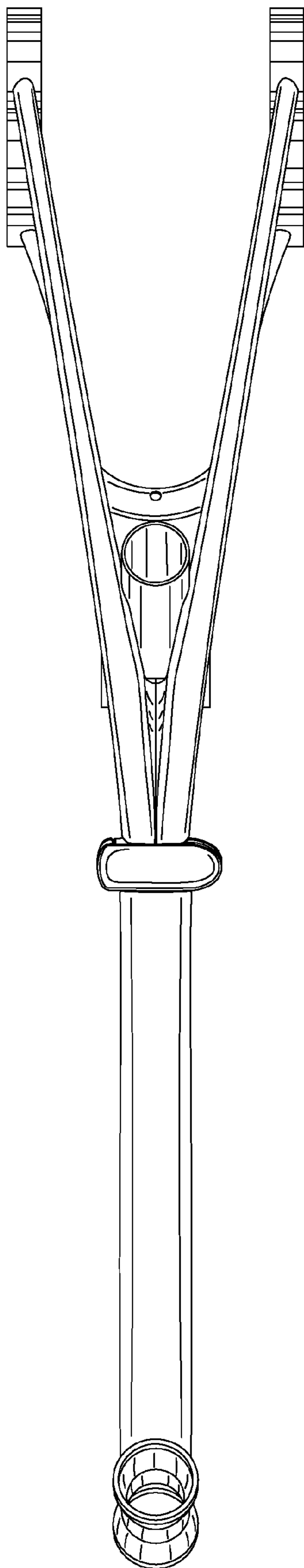


FIG. 6

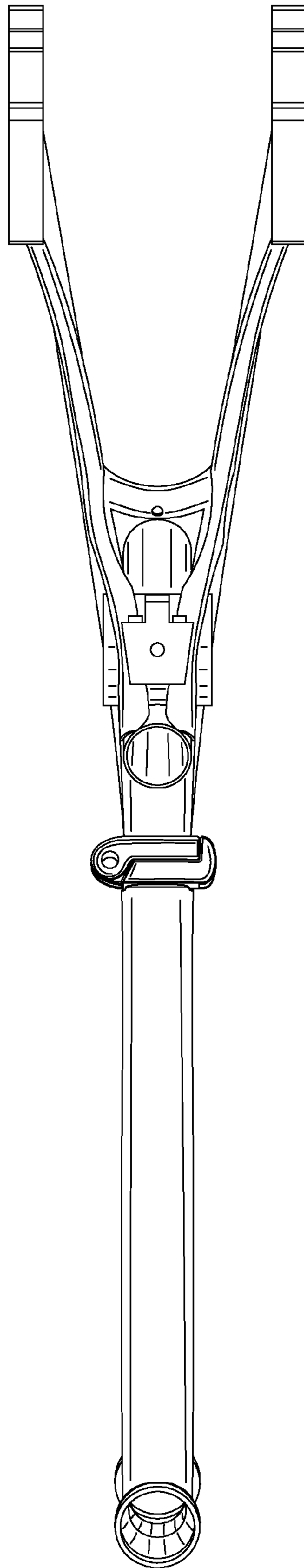


FIG. 7

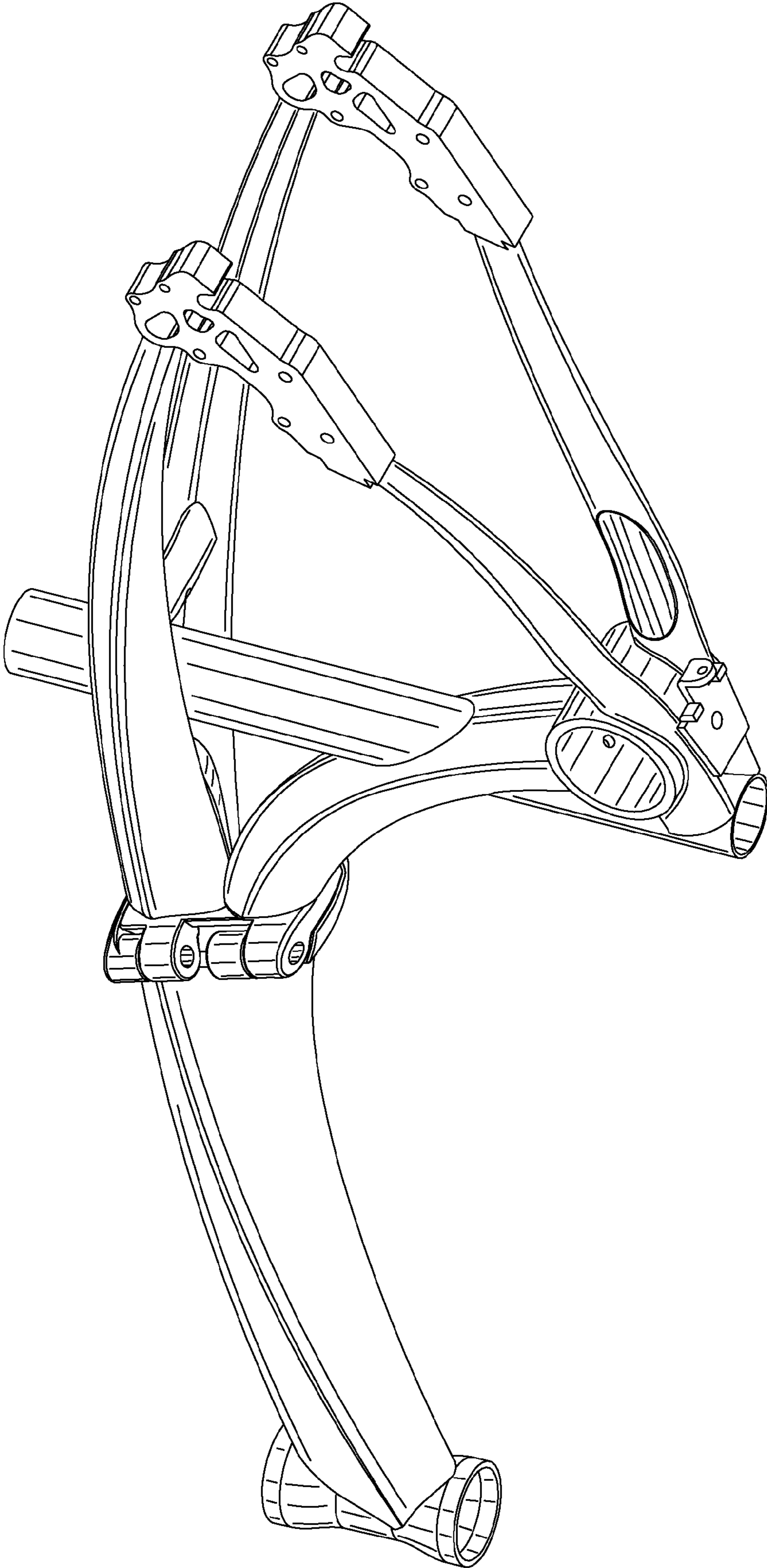


FIG. 8