



US00D632614S

(12) **United States Design Patent**
Iuchi

(10) **Patent No.:** **US D632,614 S**
(45) **Date of Patent:** **** Feb. 15, 2011**

(54) **TRUCK CAB**

(75) Inventor: **Takayuki Iuchi**, Ageo (JP)

(73) Assignee: **UD Trucks Corporation**, Ageo-shi (JP)

(**) Term: **14 Years**

(21) Appl. No.: **29/367,626**

(22) Filed: **Aug. 10, 2010**

(30) **Foreign Application Priority Data**

Apr. 8, 2010 (JP) 2010-008902

(51) **LOC (9) Cl.** **12-16**

(52) **U.S. Cl.** **D12/96**

(58) **Field of Classification Search** D12/96,
D12/97, 98, 12, 90-92; 296/180.1-180.3,
296/181.1-185, 186, 186.1; 180/89.12, 89.1,
180/242, 449

See application file for complete search history.

(56) **References Cited**

U.S. PATENT DOCUMENTS

- D412,463 S * 8/1999 Sacco et al. D12/96
- D421,412 S * 3/2000 Sutton et al. D12/96
- D422,944 S * 4/2000 Hellhake et al. D12/96
- D540,218 S * 4/2007 Sekiguchi D12/96
- D540,219 S * 4/2007 Oka D12/96
- D570,739 S * 6/2008 Emoto et al. D12/96

- D570,740 S * 6/2008 Emoto et al. D12/96
- D570,741 S * 6/2008 Emoto et al. D12/96
- D571,259 S * 6/2008 Emoto et al. D12/96
- D619,049 S * 7/2010 Beigel et al. D12/96
- D623,091 S * 9/2010 Beigel et al. D12/96
- D623,092 S * 9/2010 Beigel et al. D12/96

* cited by examiner

Primary Examiner—Melody N Brown

(74) *Attorney, Agent, or Firm*—Smith Patent Office

(57) **CLAIM**

The ornamental design for a truck cab, as shown and described.

DESCRIPTION

FIG. 1 is a perspective view of a truck cab showing my new design;

FIG. 2 is a top plan view thereof;

FIG. 3 is a front elevation view thereof;

FIG. 4 is a left side view thereof;

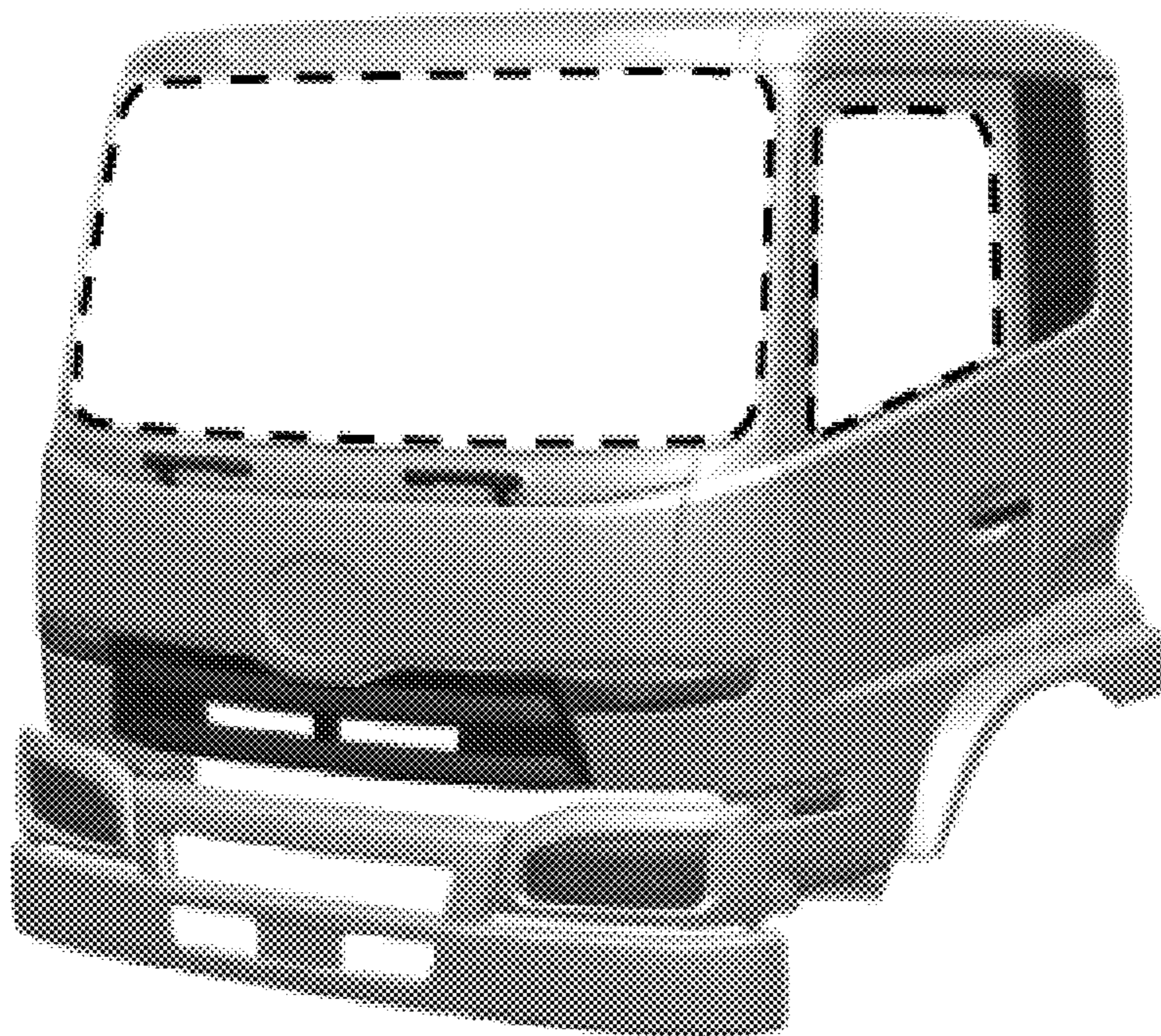
FIG. 5 is a right side view thereof;

FIG. 6 is a bottom plan view thereof; and,

FIG. 7 is a rear elevation view thereof.

The broken lines shown are for illustrative purpose only and form no part of the claimed design.

1 Claim, 4 Drawing Sheets



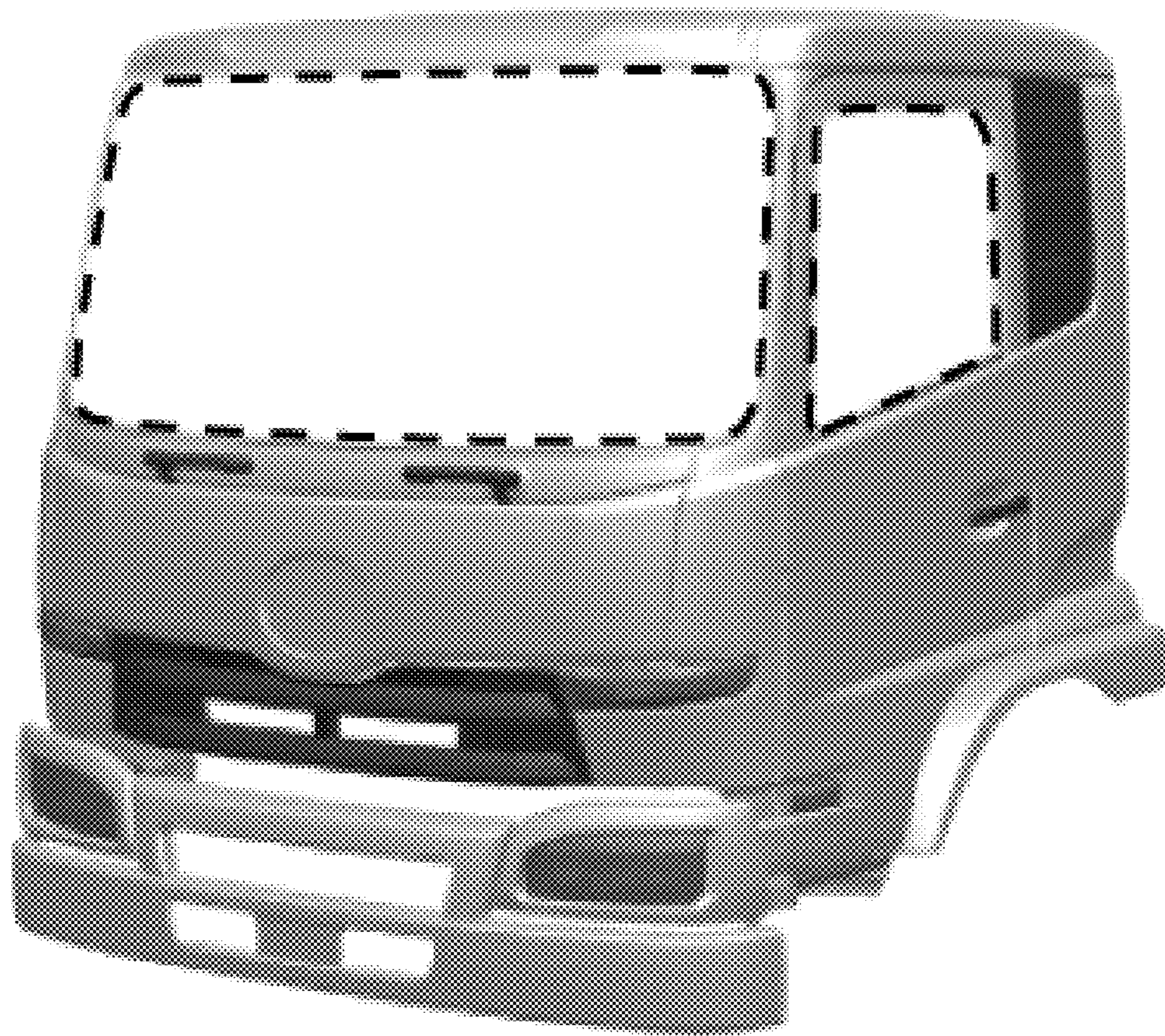


Fig. 1

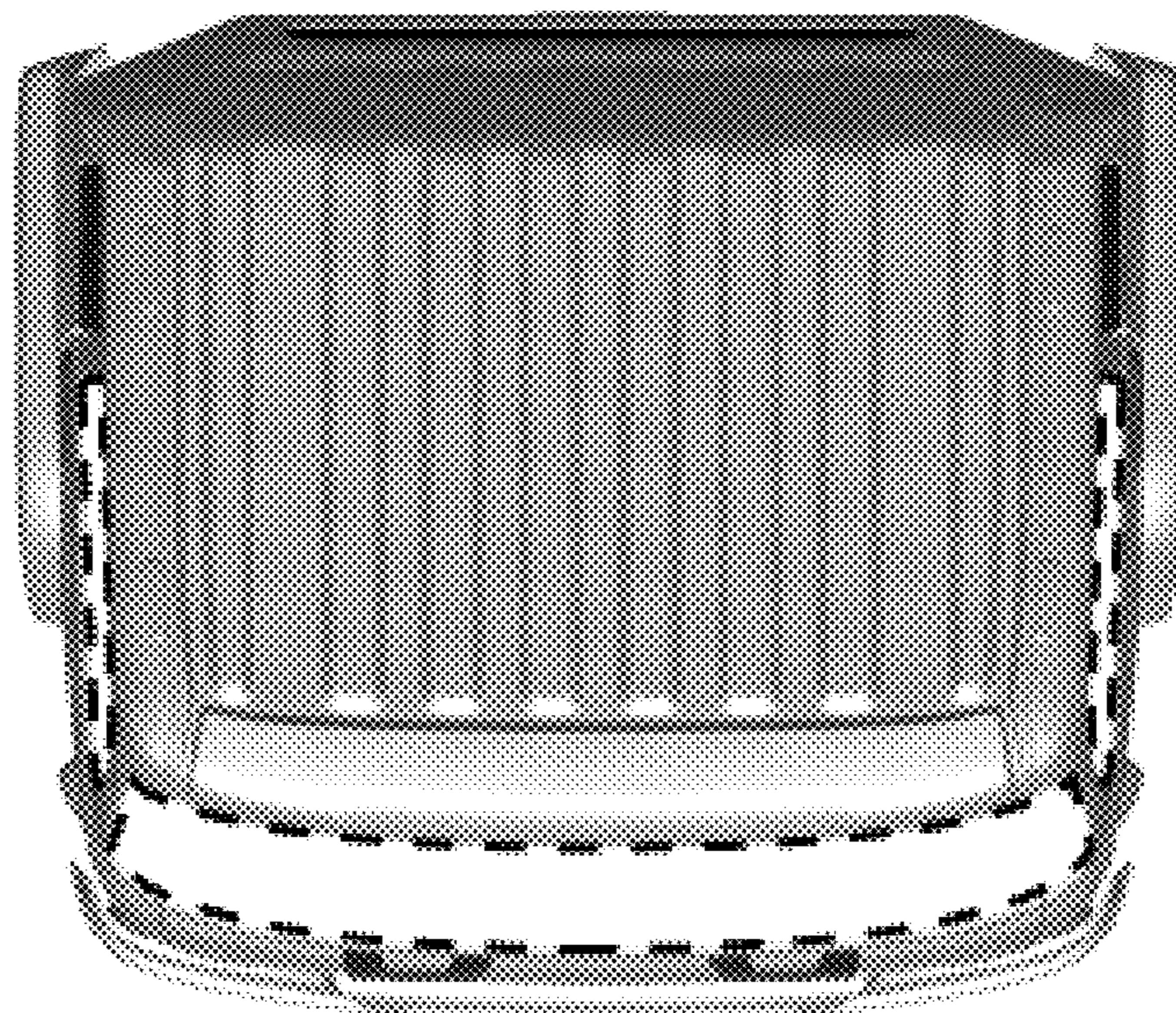


Fig. 2

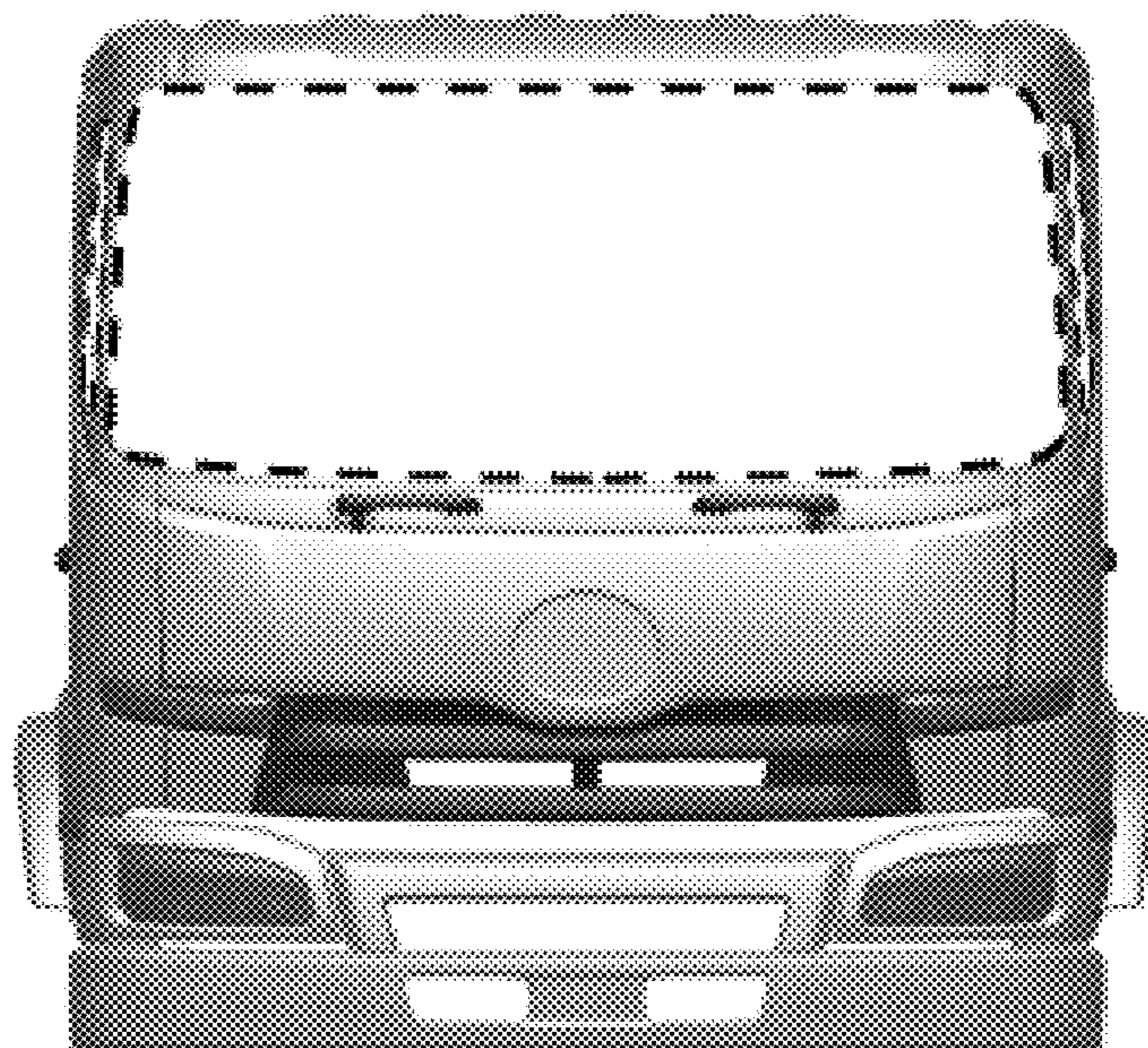


Fig. 3

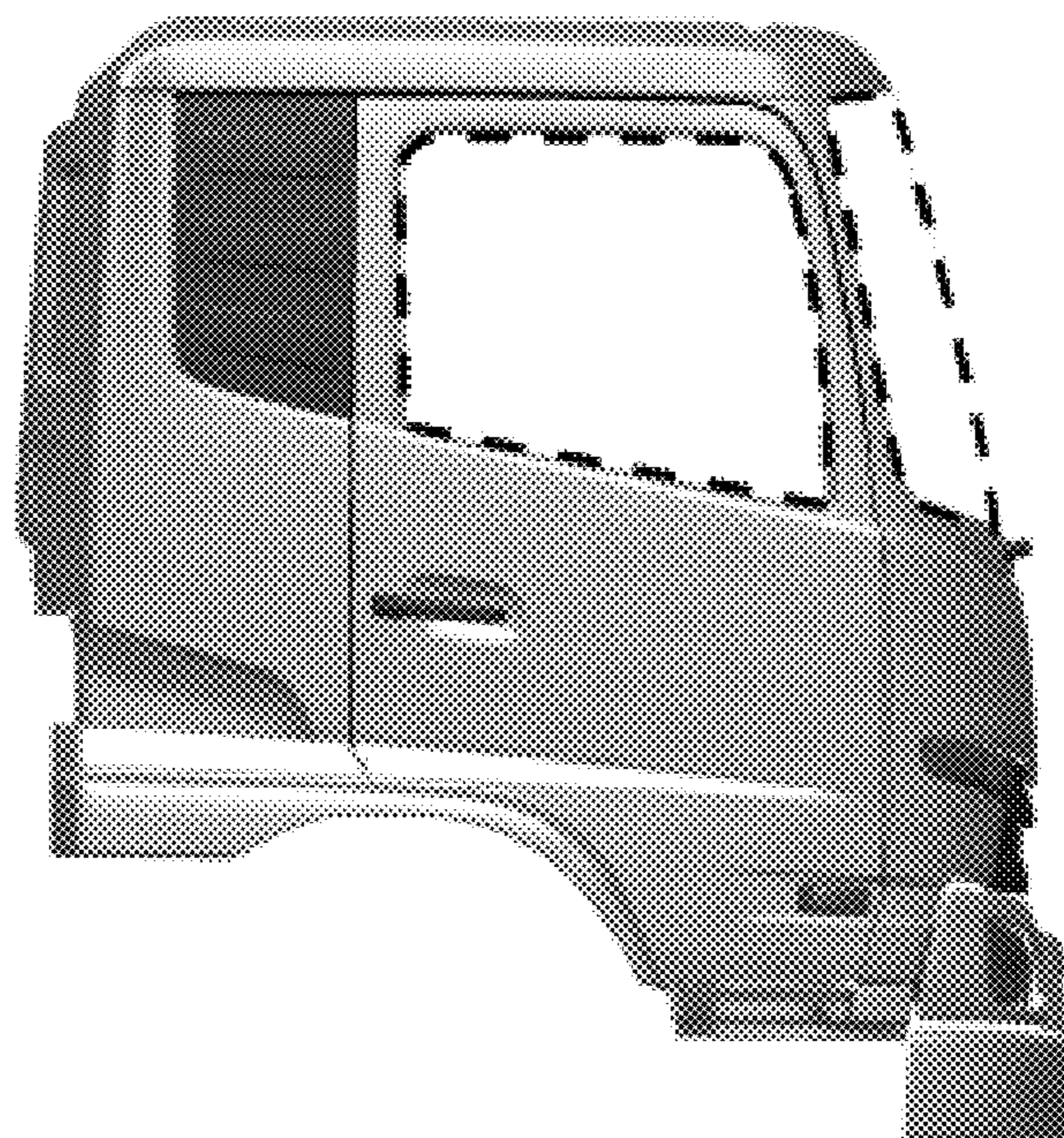


Fig. 4

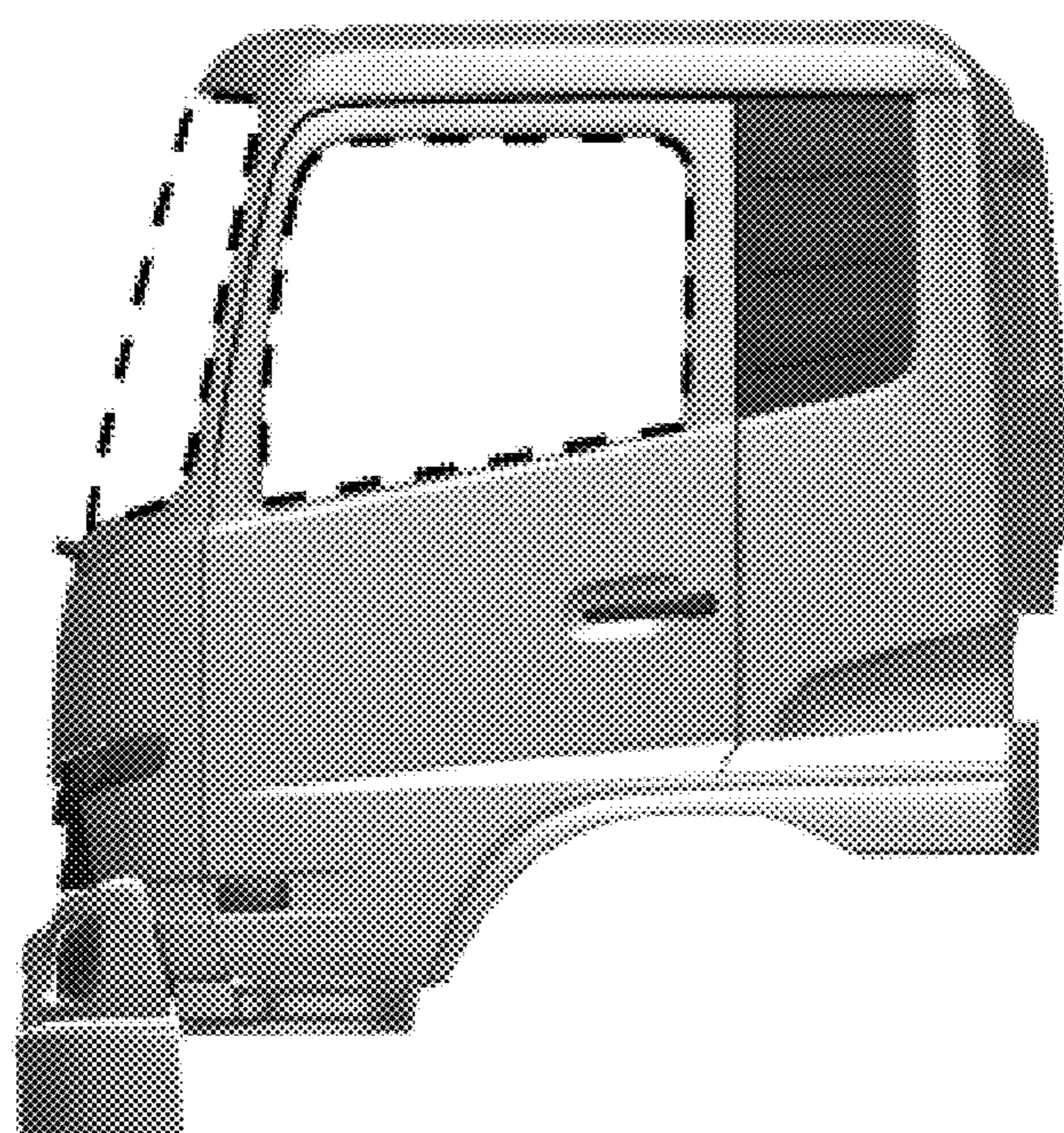


Fig. 5

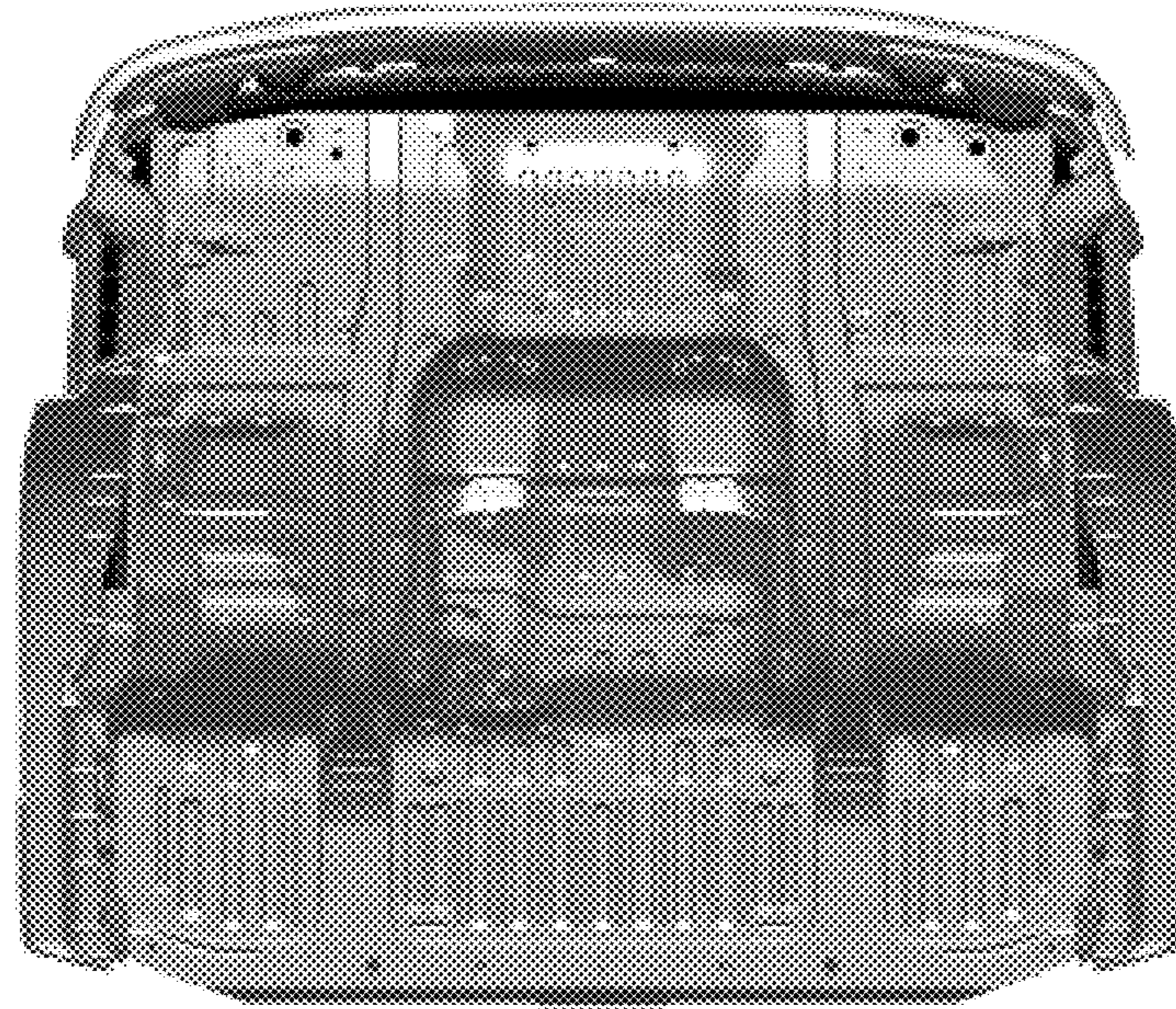


Fig. 6

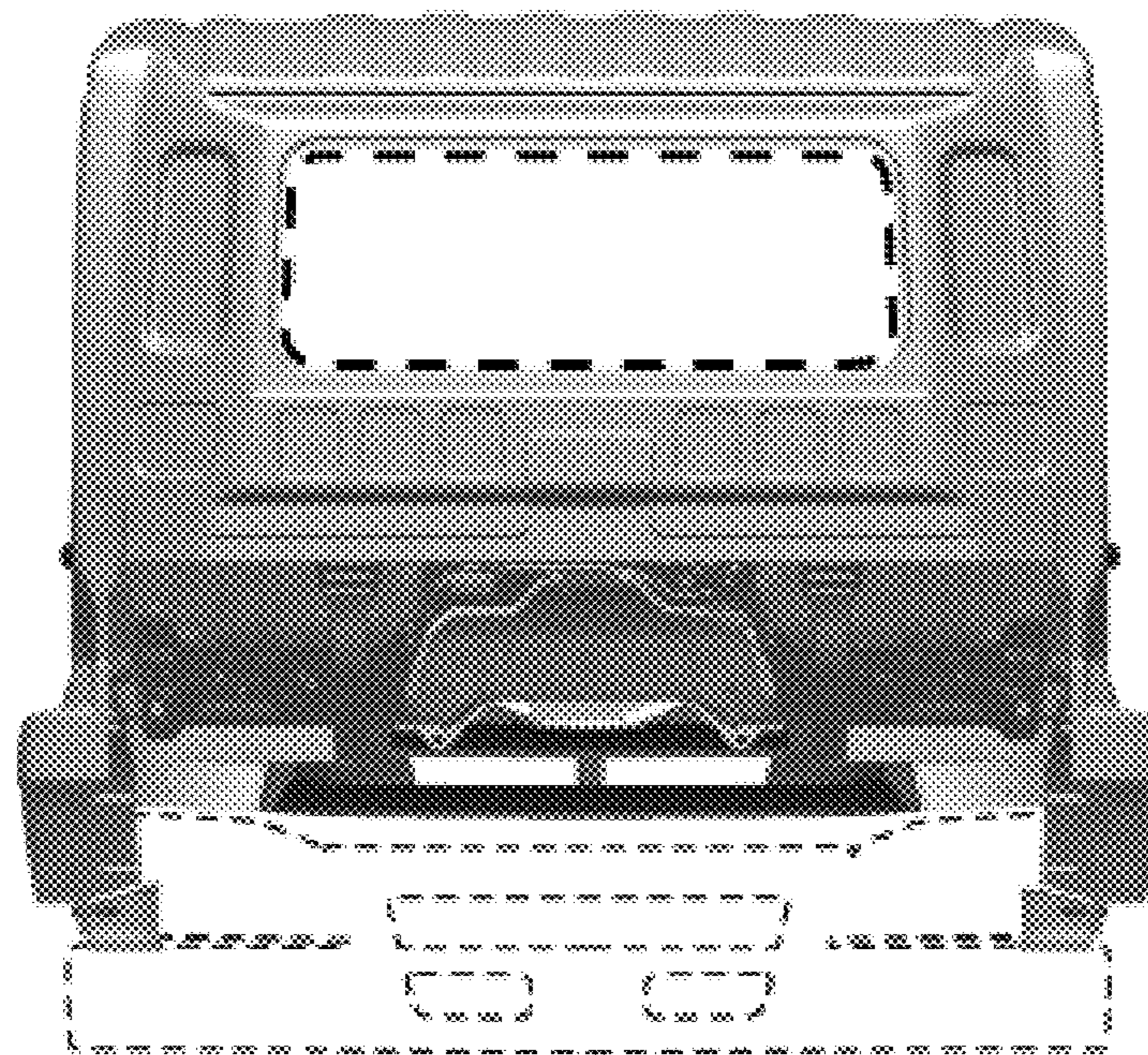


Fig. 7