



US00D632613S

(12) **United States Design Patent**
Allaire et al.

(10) **Patent No.:** **US D632,613 S**

(45) **Date of Patent:** **** *Feb. 15, 2011**

(54) **ALL-TERRAIN VEHICLE**

(75) Inventors: **Marius Allaire**, St-David-de-Falardeau (CA); **Etienne Loiselle**, Chicoutimi (CA); **Laurier Tremblay**, Jonquiere (CA)

(73) Assignee: **L'Equipe Fabconcept Inc.**, Chicoutimi, Quebec (CA)

(*) Notice: This patent is subject to a terminal disclaimer.

(**) Term: **14 Years**

(21) Appl. No.: **29/342,112**

(22) Filed: **Aug. 18, 2009**

(30) **Foreign Application Priority Data**

Feb. 18, 2009 (CA) 129699

(51) **LOC (9) Cl.** **12-13**

(52) **U.S. Cl.** **D12/12**

(58) **Field of Classification Search** D12/1, D12/12, 14, 15; 89/36.08, 36.09, 40.03, 89/1.13; D21/539, 556, 557, 559, 562; 180/89.1, 180/89.12, 232, 242, 449; D15/23, 24, 25, D15/28, 33, 199

See application file for complete search history.

(56) **References Cited**

U.S. PATENT DOCUMENTS

D289,389 S * 4/1987 Picard D12/12
D478,840 S * 8/2003 Gregory et al. D12/1

D544,402 S * 6/2007 Westman et al. D12/12
D590,743 S * 4/2009 Waters et al. D12/12
2003/0089220 A1 * 5/2003 Boudreau et al. 89/1.815

* cited by examiner

Primary Examiner—T. Chase Nelson

Assistant Examiner—Ania K Dworzecka

(57) **CLAIM**

We claim the ornamental design for an all-terrain vehicle, as shown and described.

DESCRIPTION

FIG. 1 is a front isometric view of an embodiment of our ornamental design of an all-terrain vehicle;

FIG. 2 is a right elevation view of the ornamental design of the all-terrain vehicle of FIG. 1;

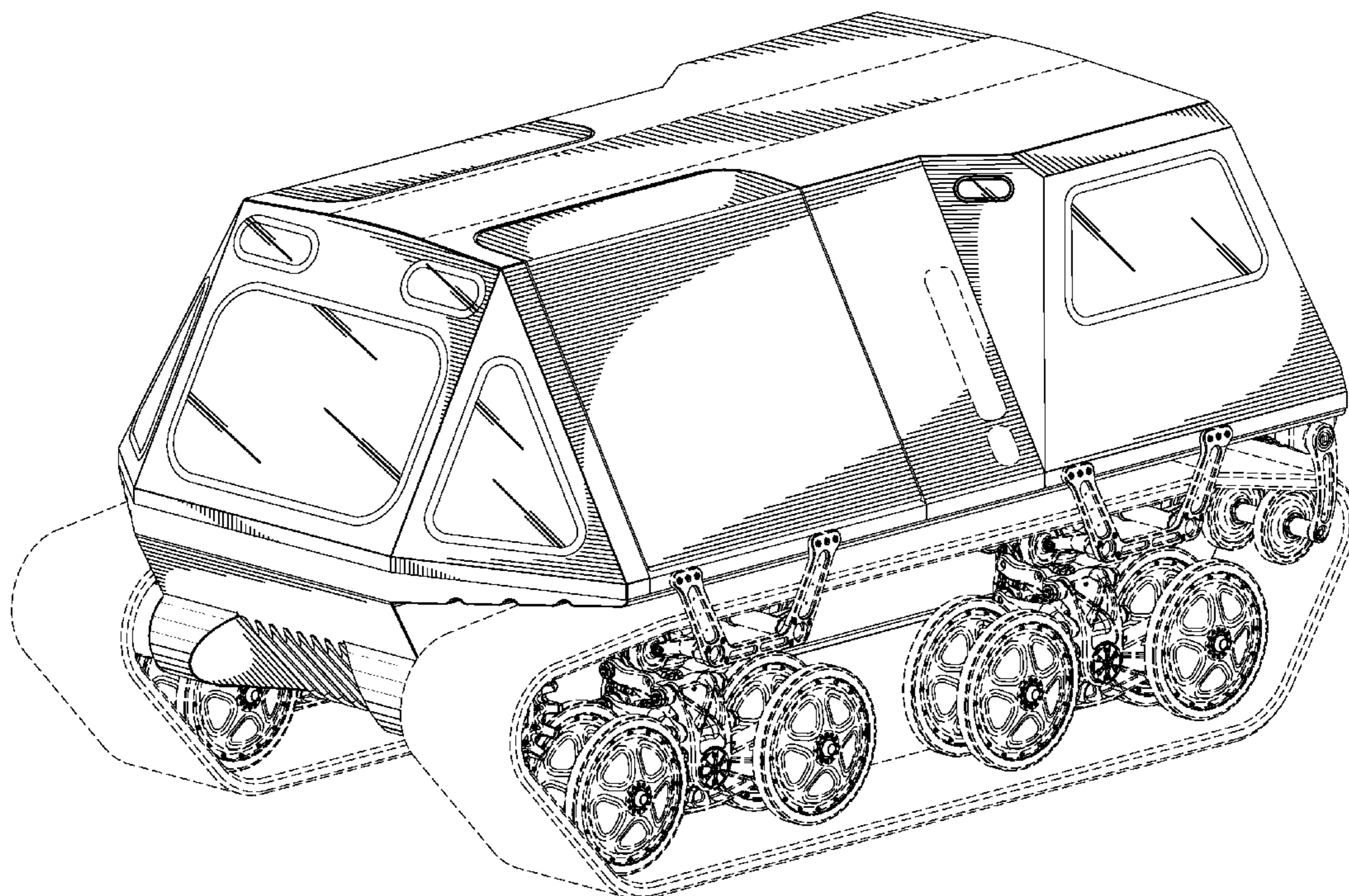
FIG. 3 is a top plan view of the ornamental design of the all-terrain vehicle of FIG. 1;

FIG. 4 is a front elevation view of the ornamental design of the all-terrain vehicle of FIG. 1; and,

FIG. 5 is a rear elevation view of the ornamental design of the all-terrain vehicle of FIG. 1.

Features shown in broken lines in the drawings are not part of the claim.

1 Claim, 5 Drawing Sheets



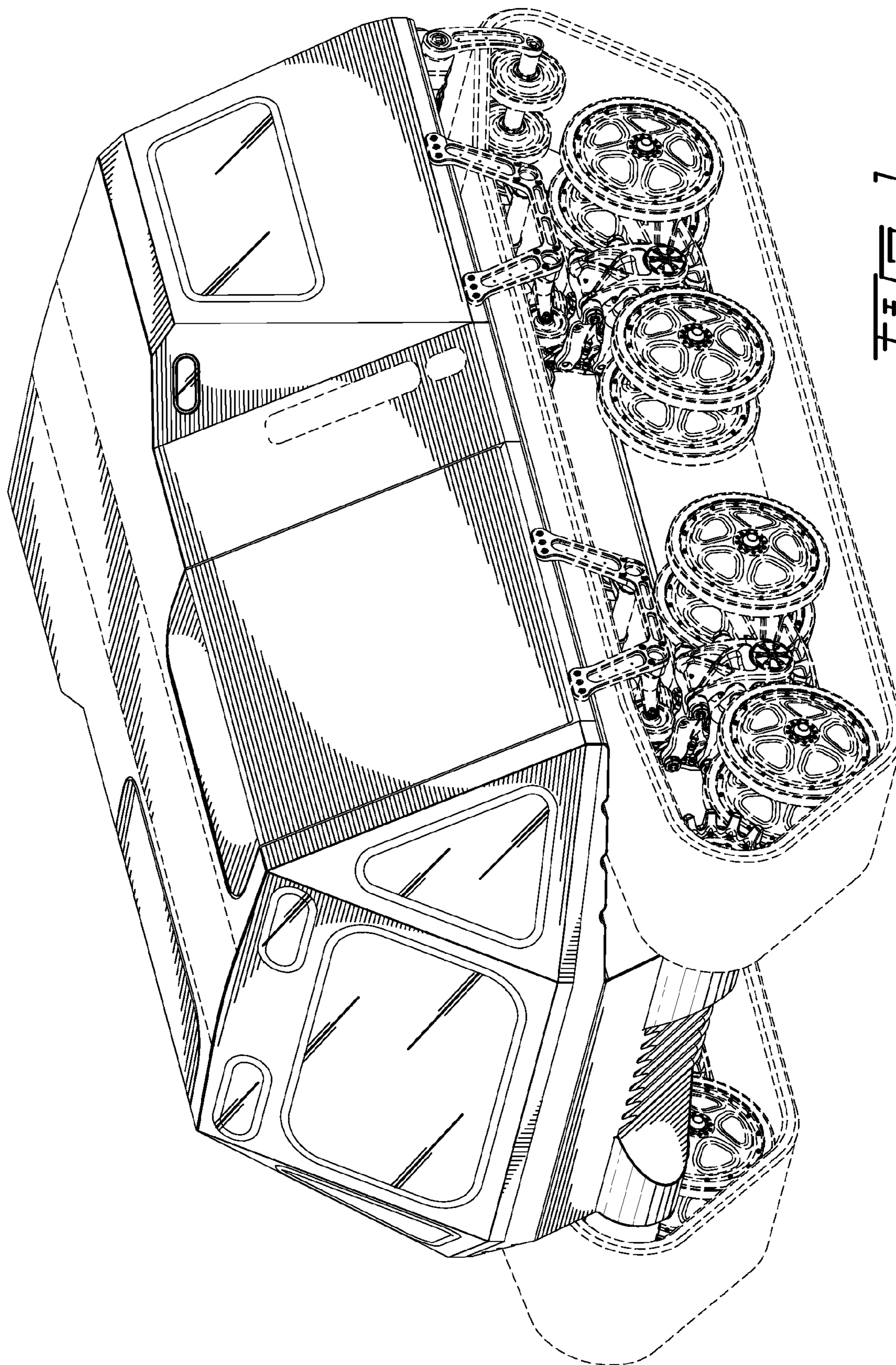


FIG. 1

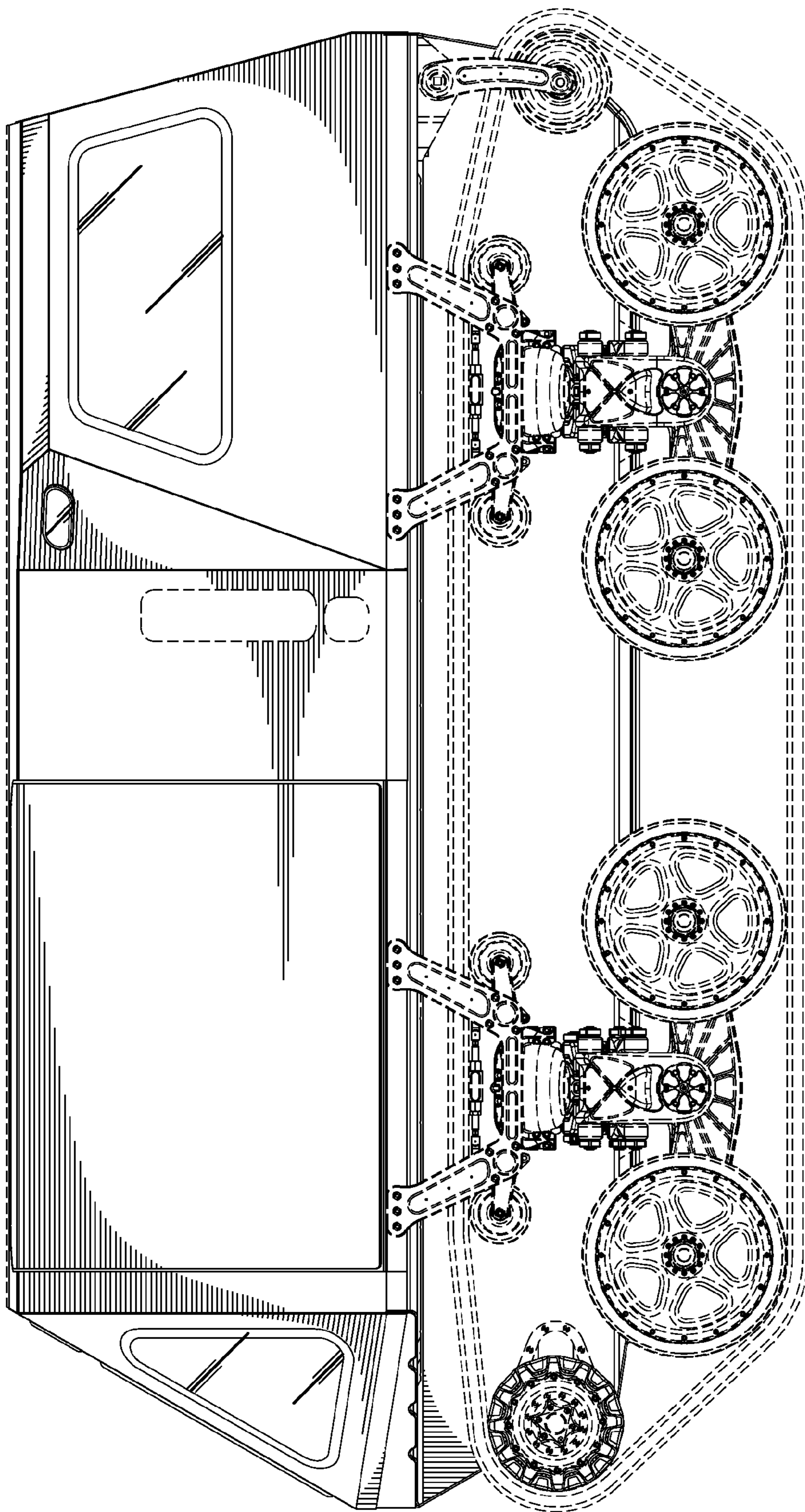


FIG. 2

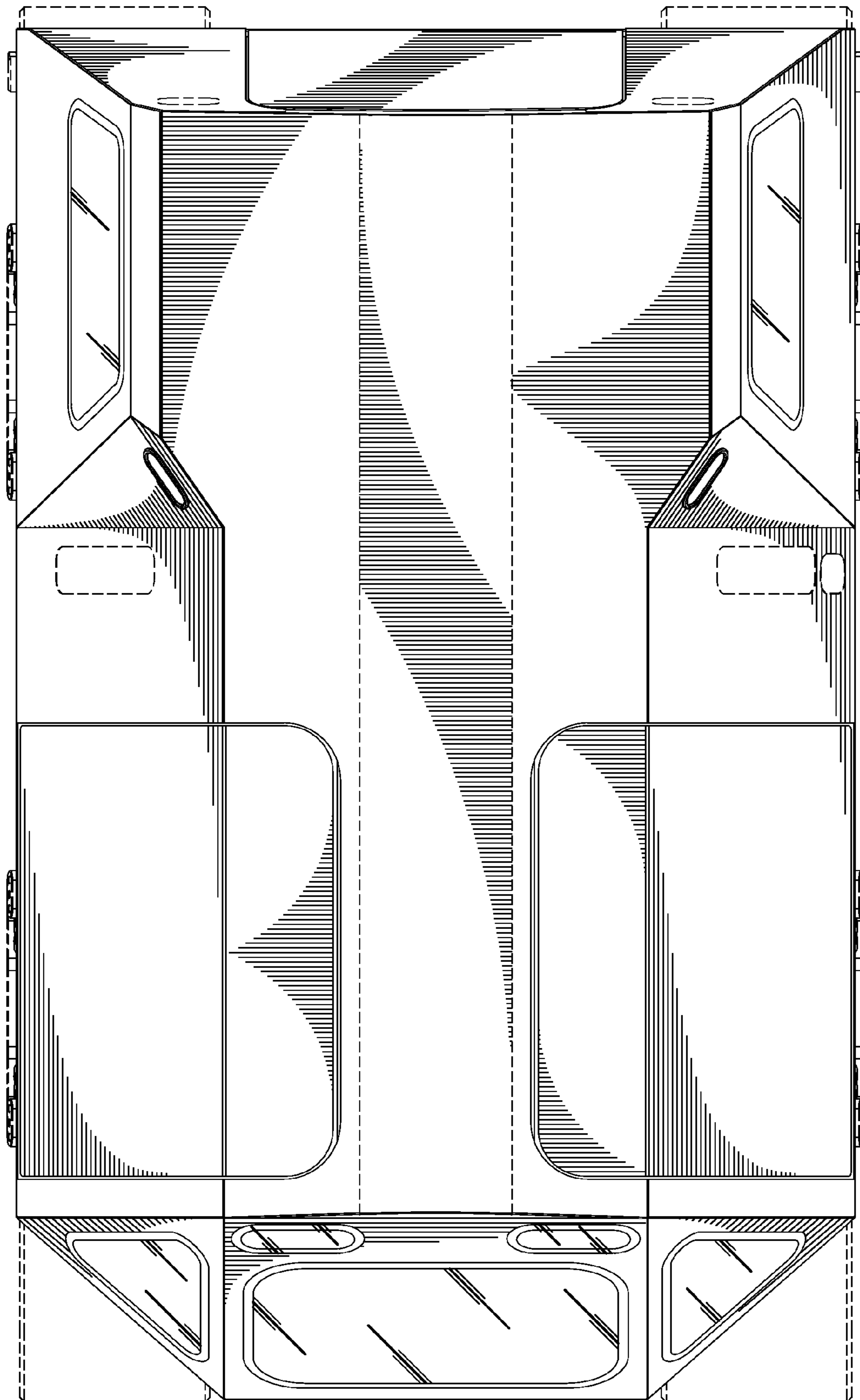


FIG. 3

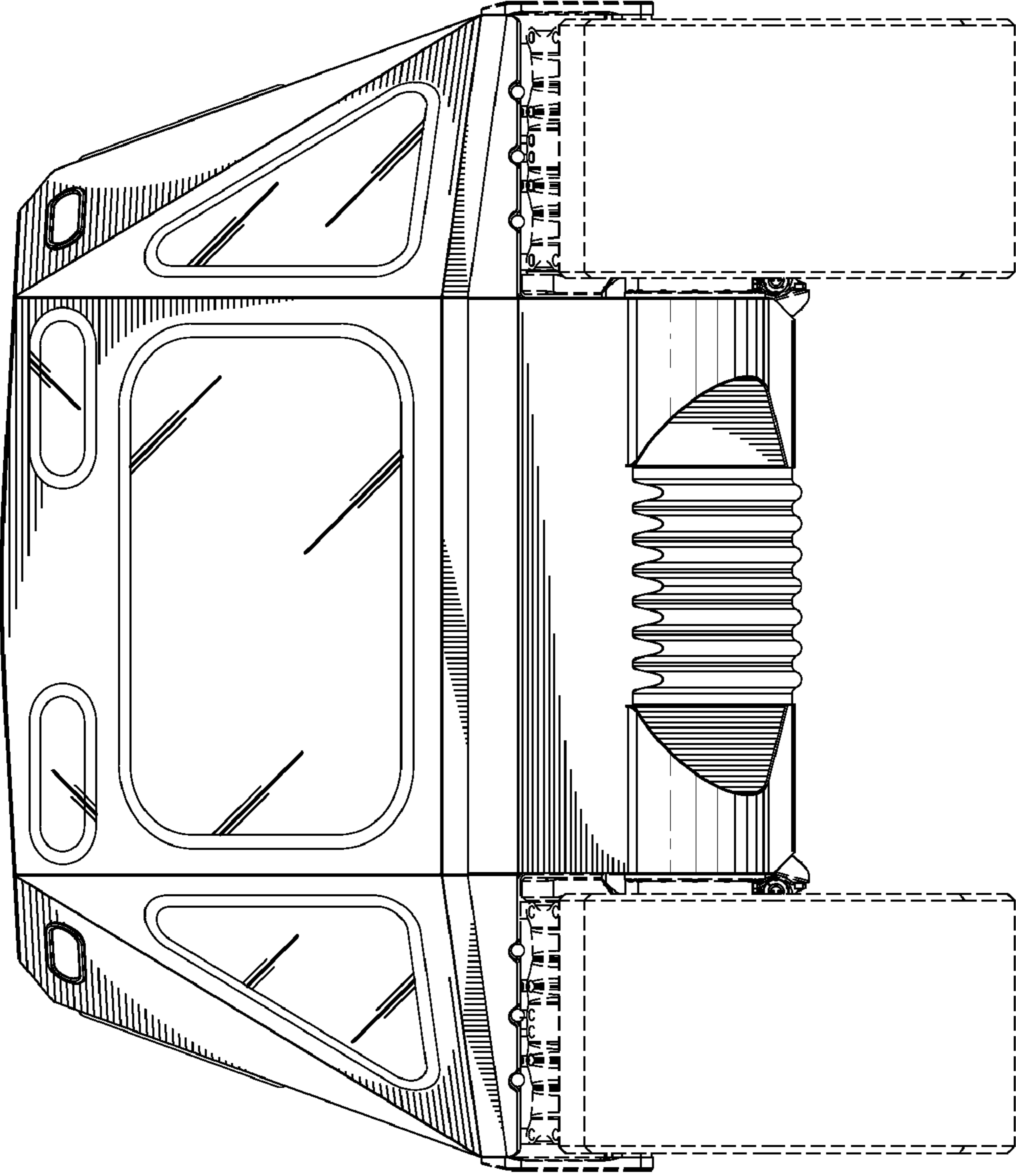


FIG. 4

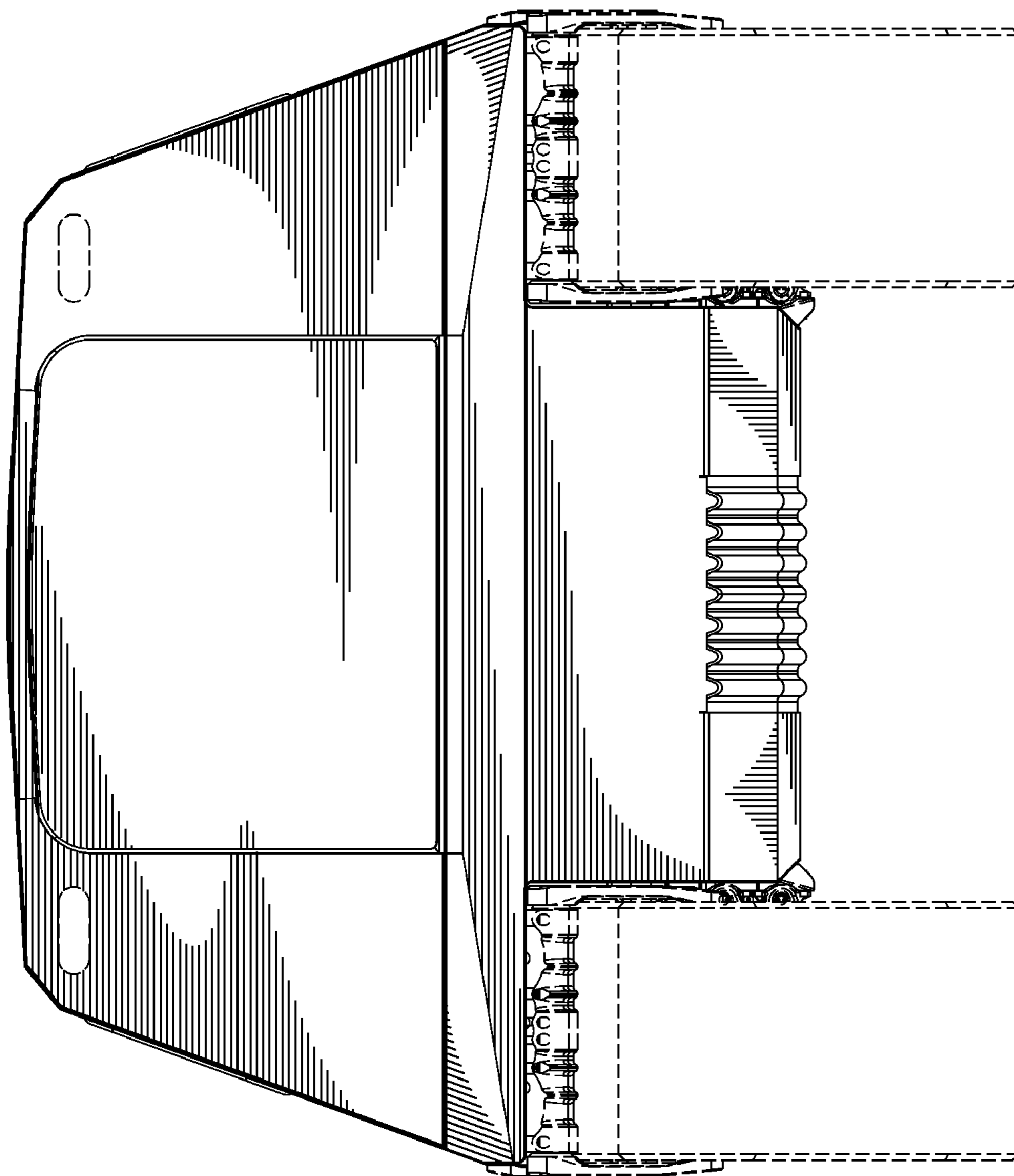


FIG. 5