



US00D632611S

(12) **United States Design Patent**
Buscart

(10) **Patent No.:** **US D632,611 S**

(45) **Date of Patent:** **** Feb. 15, 2011**

(54) **BUCKLE**

(75) **Inventor:** **Jordi Badrenas Buscart**, Barcelona
(ES)

(73) **Assignee:** **Illinois Tool Works Inc.**, Glenview, IL
(US)

(**) **Term:** **14 Years**

(21) **Appl. No.:** **29/351,144**

(22) **Filed:** **Dec. 1, 2009**

(51) **LOC (9) Cl.** **02-07**

(52) **U.S. Cl.** **D11/216**

(58) **Field of Classification Search** D11/1-2,
D11/200-201, 203-206, 210, 212, 214-219,
D11/222, 224, 226; 24/163 R, 169-171,
24/173, 177-179, 191, 194-195, 197, 200
See application file for complete search history.

(56) **References Cited**

U.S. PATENT DOCUMENTS

D342,465 S	*	12/1993	Anthony et al.	D11/218
D364,124 S	*	11/1995	Lortz et al.	D11/216
D474,714 S	*	5/2003	Karlsson et al.	D11/216
D515,456 S	*	2/2006	Gastaldi	D11/216
D519,406 S	*	4/2006	Merrill et al.	D11/216

D535,214 S	*	1/2007	Kolasa	D11/216
D536,640 S	*	2/2007	Kawamura et al.	D11/216
D552,014 S	*	10/2007	Chen et al.	D11/216
D580,820 S	*	11/2008	Daykin	D11/216
D592,543 S	*	5/2009	Kolasa	D11/216

* cited by examiner

Primary Examiner—Ralf Seifert

(74) *Attorney, Agent, or Firm*—Lowe Hauptman Ham & Berner LLP

(57) **CLAIM**

The ornamental design for a buckle, as shown and described.

DESCRIPTION

FIG. 1 is a top view of a buckle bearing the design;

FIG. 2 is a bottom view of the buckle;

FIG. 3 is a front view of the buckle;

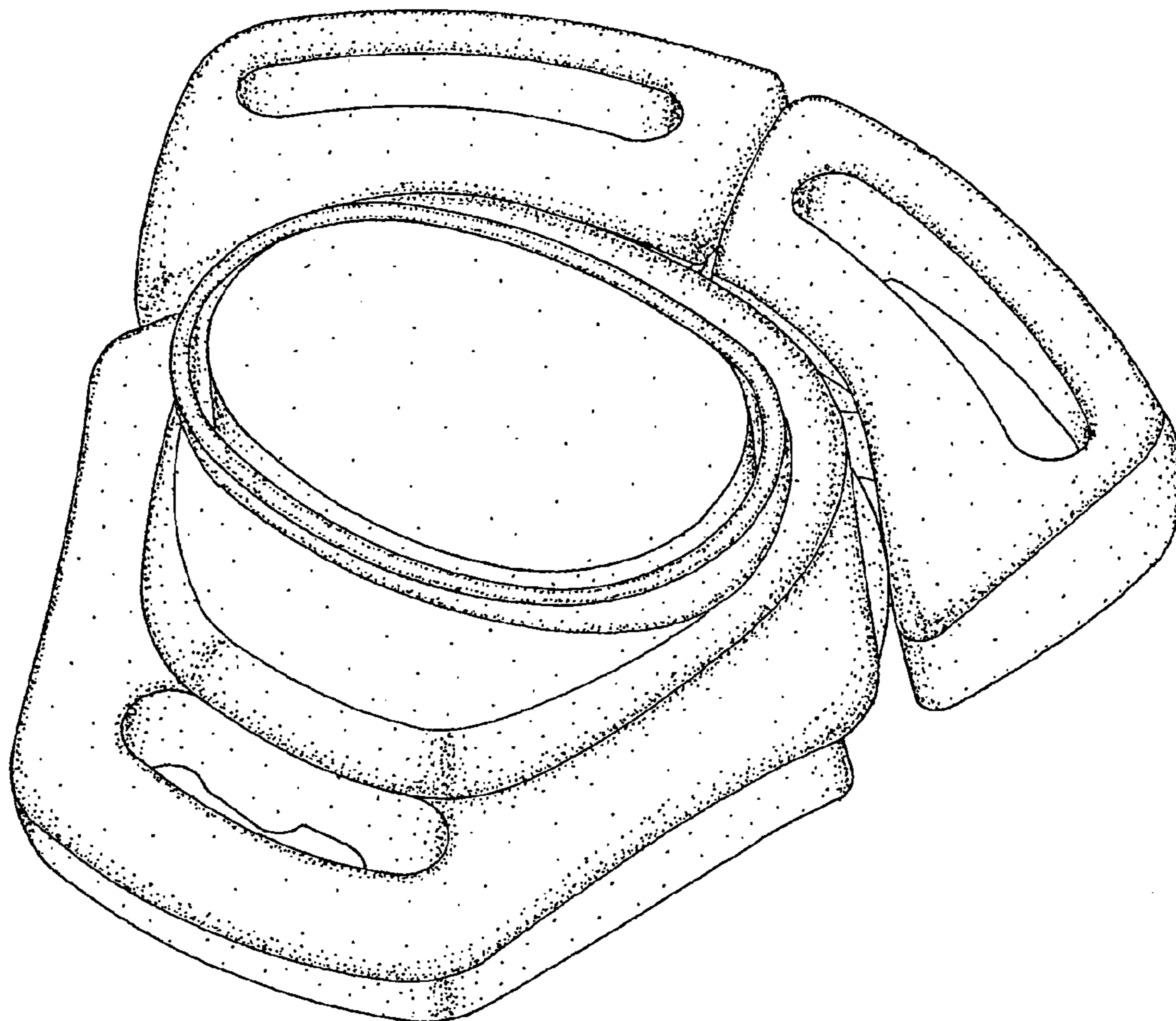
FIG. 4 is a rear view of the buckle;

FIG. 5 is a right side view of the buckle; and,

FIG. 6 is a perspective view of the buckle.

The broken lines in FIG. 2 are included for the purpose of illustrating a portion of the buckle that forms no part of the claimed design.

1 Claim, 6 Drawing Sheets



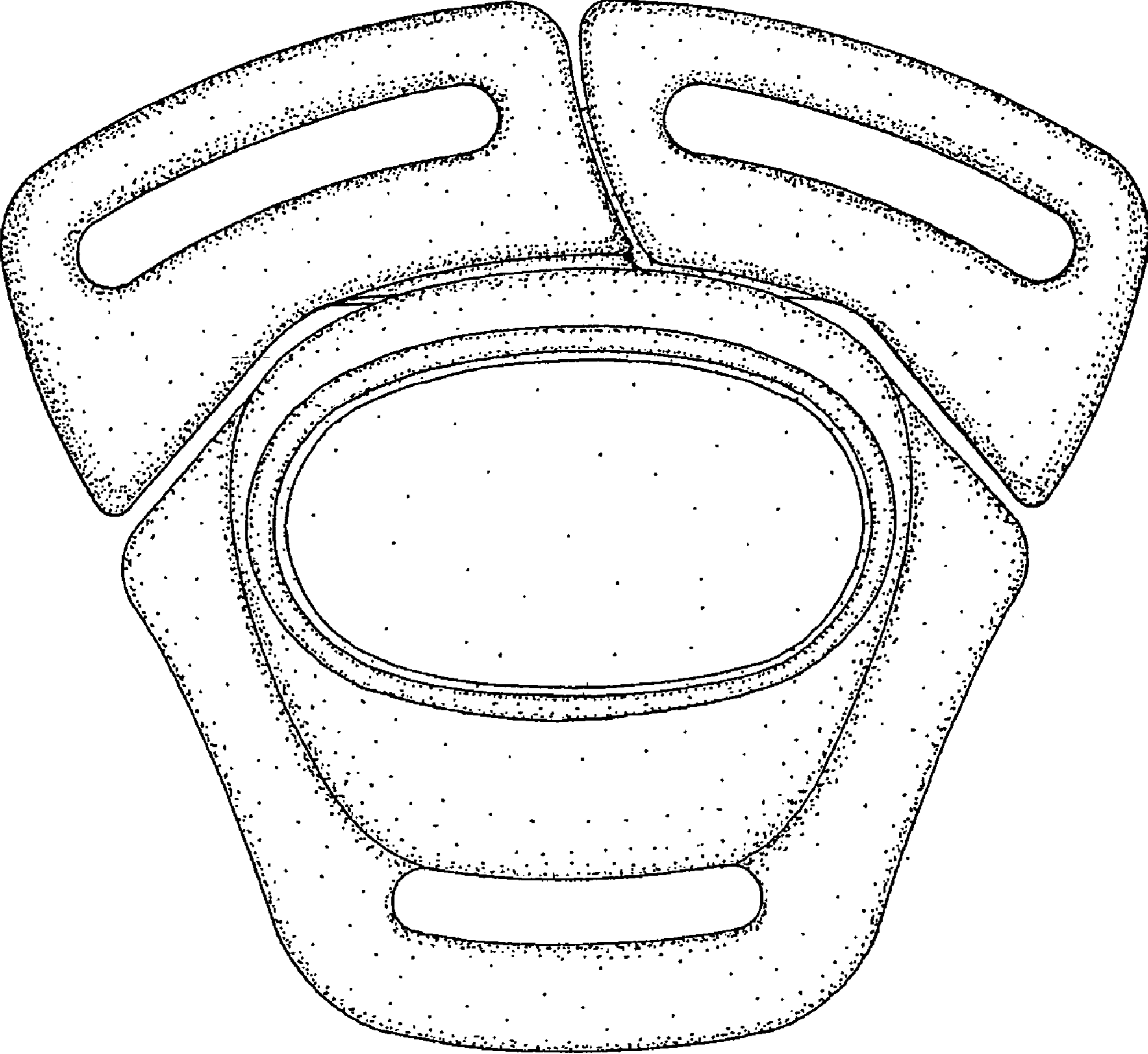


Fig. 1

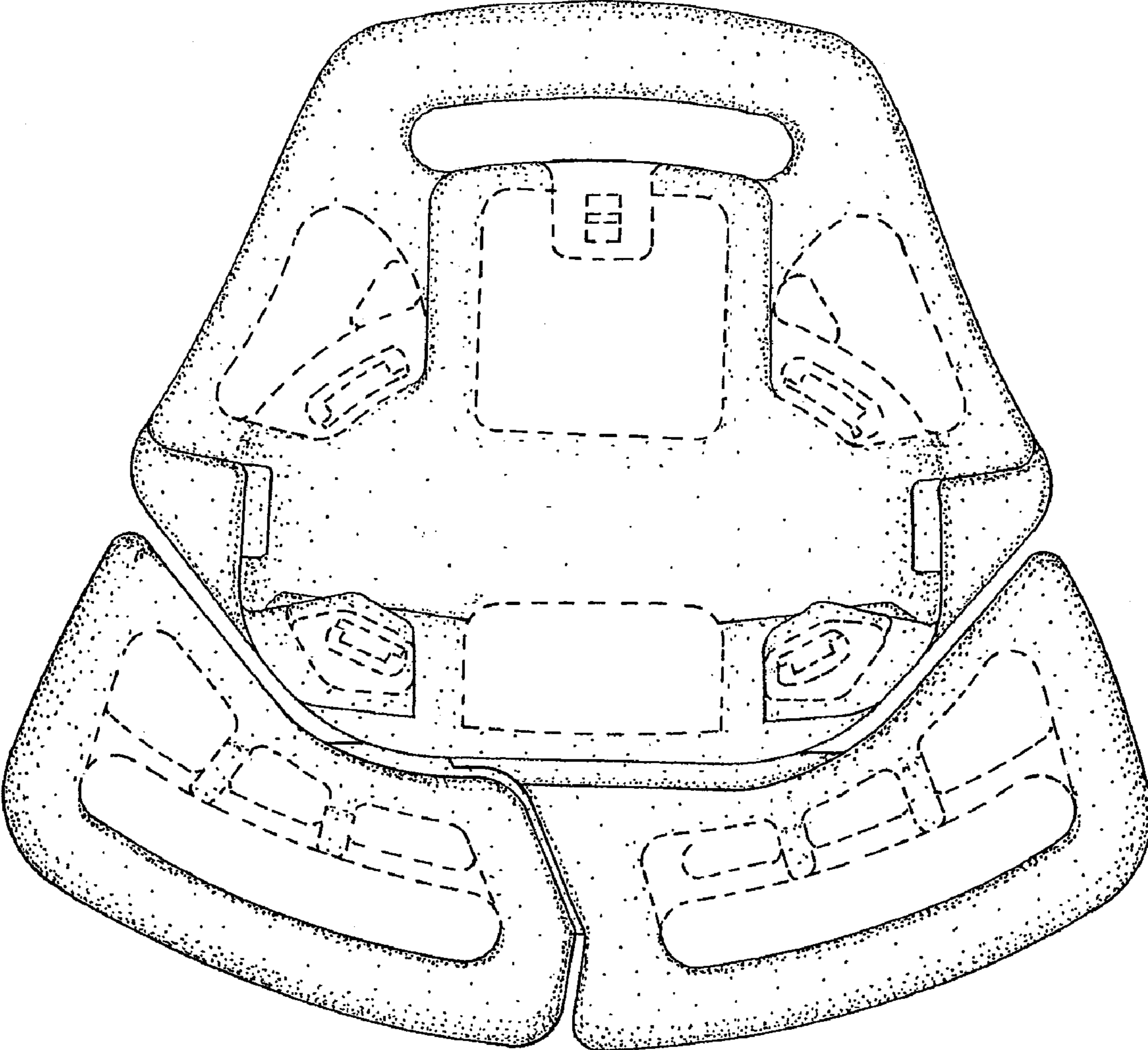


Fig. 2

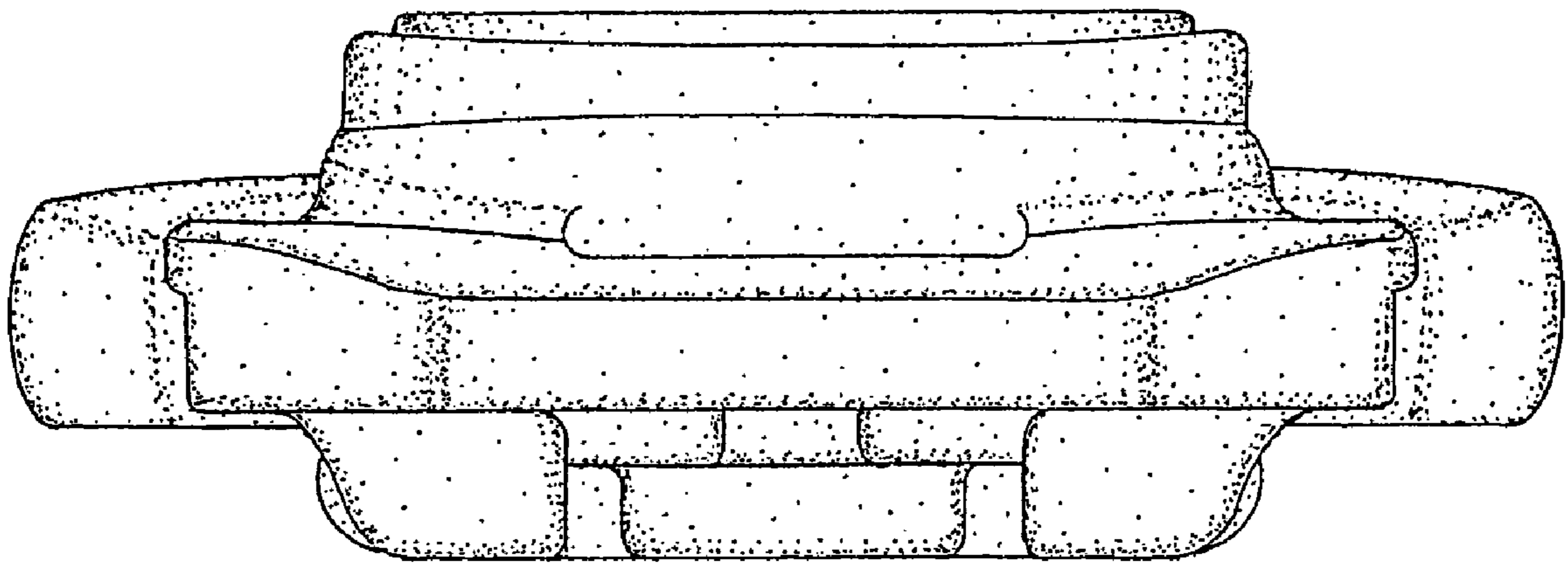


Fig. 3

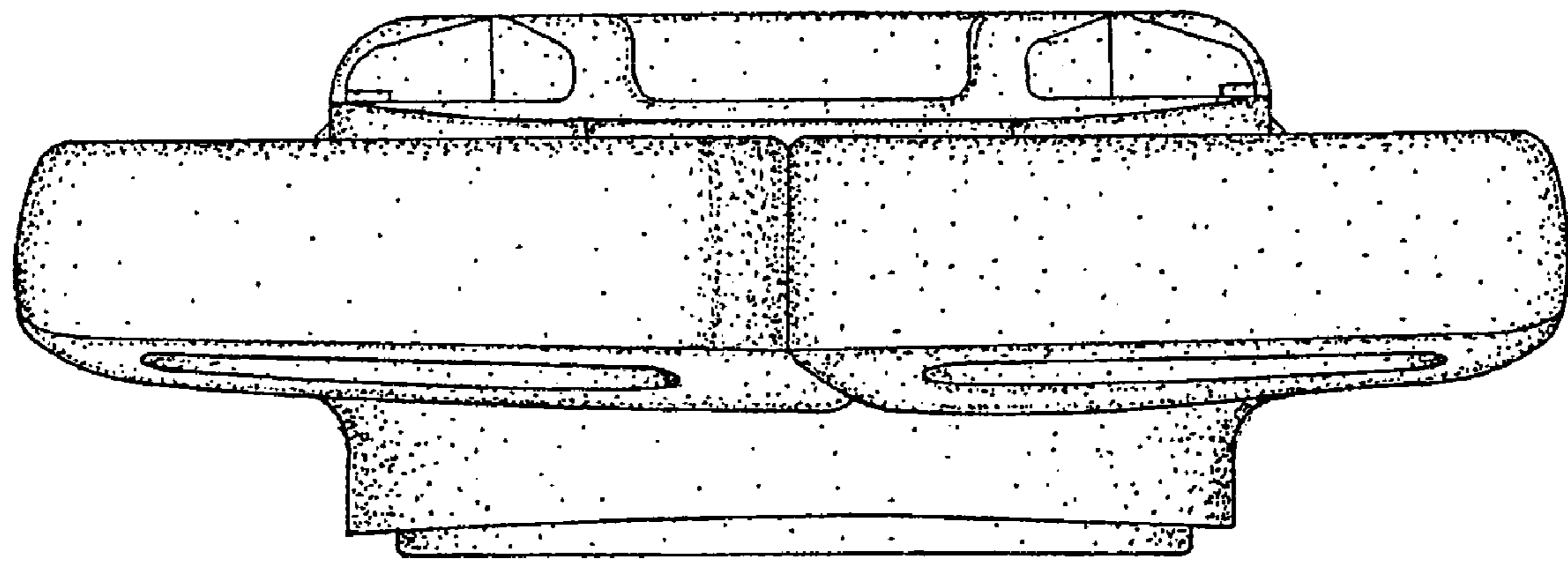


Fig. 4

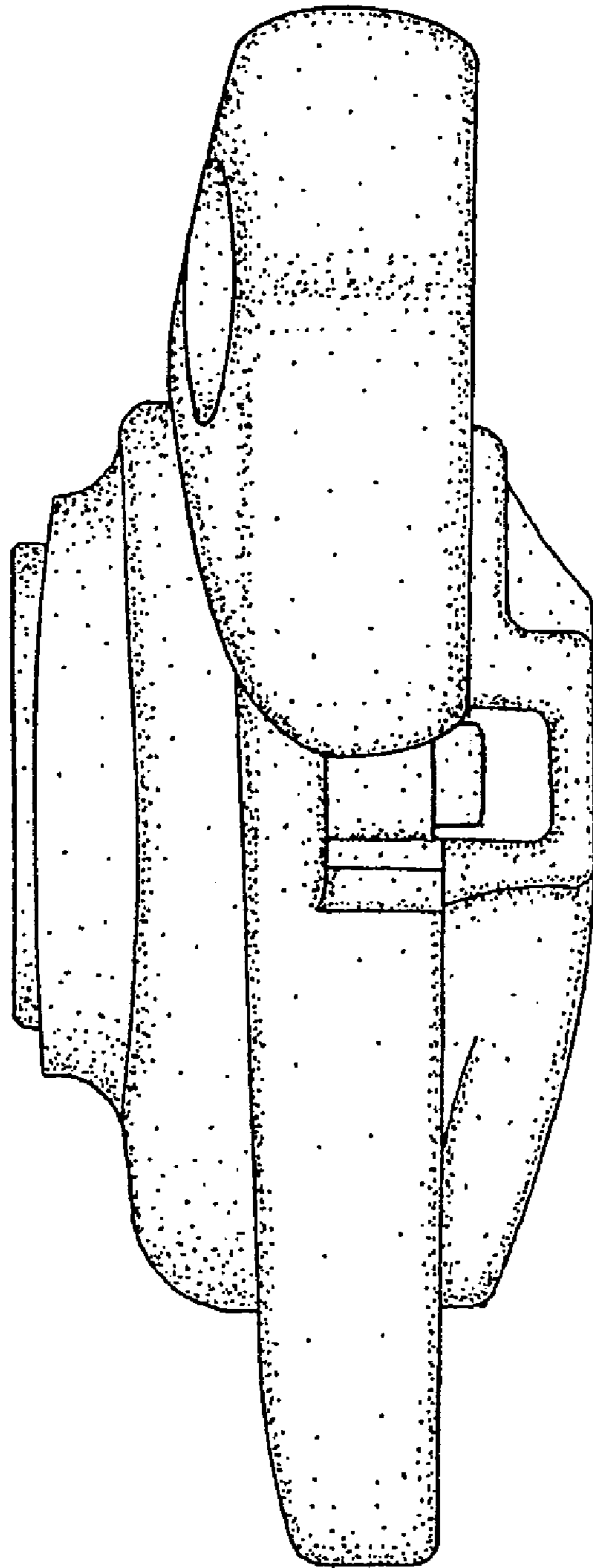


Fig. 5

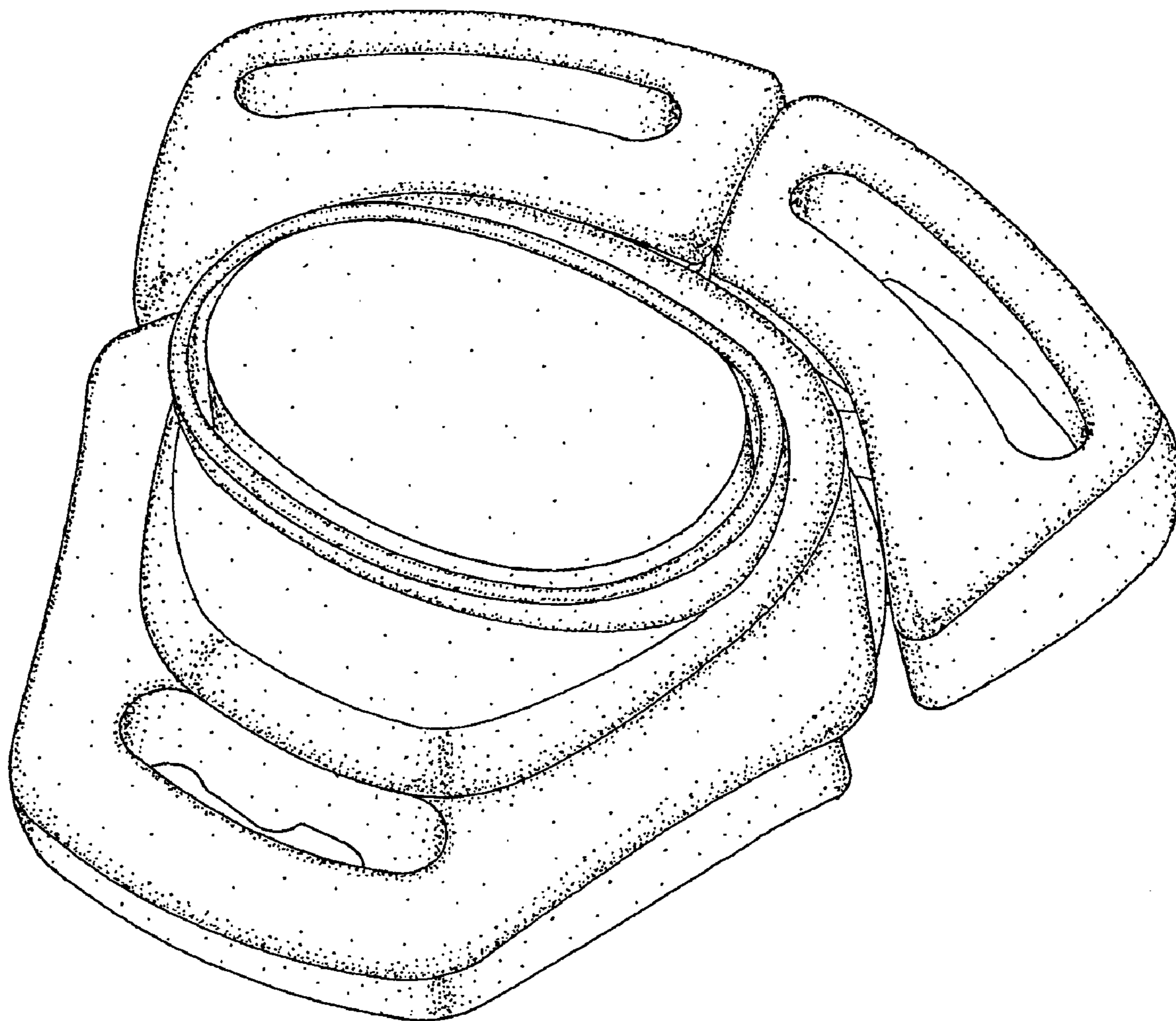


Fig. 6