



US00D632610S

(12) **United States Design Patent**
Corrado

(10) **Patent No.:** **US D632,610 S**

(45) **Date of Patent:** **** Feb. 15, 2011**

(54) **STIRRUP MEMBER FOR NURSING BRA CLOSURE**

D214,835 S 8/1969 Czapar et al.
3,837,049 A 9/1974 Corrado
4,001,924 A 1/1977 Bengtsson
4,110,873 A * 9/1978 Verchere 24/615
D250,299 S 11/1978 Rowell

(75) Inventor: **Mark Corrado**, Shaker Heights, OH
(US)

(73) Assignee: **Leading Lady, Inc.**, Beachwood, OH
(US)

(**) Term: **14 Years**

(21) Appl. No.: **29/315,519**

(22) Filed: **Jul. 1, 2009**

(51) **LOC (9) Cl.** **02-07**

(52) **U.S. Cl.** **D11/208; D2/706**

(58) **Field of Classification Search** D2/706-708;
450/36; 2/236, 73; D11/200, 218, 231, 208,
D11/230; 24/370, 615, 625

See application file for complete search history.

(56) **References Cited**

U.S. PATENT DOCUMENTS

42,114 A	3/1864	Severance	
767,236 A	8/1904	Pilkington	
784,891 A	3/1905	Saart	
1,201,542 A	10/1916	Baumgartner	
D55,219 S	5/1920	Warner et al.	
1,390,776 A	9/1921	Gardner	
1,947,368 A	2/1934	White et al.	
2,285,714 A	6/1942	Hirsch	
D134,696 S	12/1942	Kasen	
2,315,698 A	4/1943	Gluckmann	
D161,560 S	1/1951	White	
D176,378 S *	12/1955	Paulson D11/208	
3,127,656 A	4/1964	Schwabe et al.	
D204,260 S	4/1966	Moskowitz	
3,267,542 A	8/1966	Sussman	
3,426,400 A	2/1969	Lauro	

(Continued)

Primary Examiner—Philip S Hyder

Assistant Examiner—Anna J Burmeister

(74) *Attorney, Agent, or Firm*—D. Peter Hochberg; Sean F. Mellino; Daniel J. Smola

(57) **CLAIM**

The ornamental design for a stirrup member for nursing bra closure, as shown and described.

DESCRIPTION

FIG. 1 is a perspective top front view of the stirrup member for a nursing bra closure;

FIG. 2 is a perspective bottom rear view of the stirrup member for a nursing bra closure as shown in FIG. 1;

FIG. 3 is a front view of the stirrup member for a nursing bra closure as shown in FIG. 1;

FIG. 4 is a rear view of the stirrup member for a nursing bra closure as shown in FIG. 1;

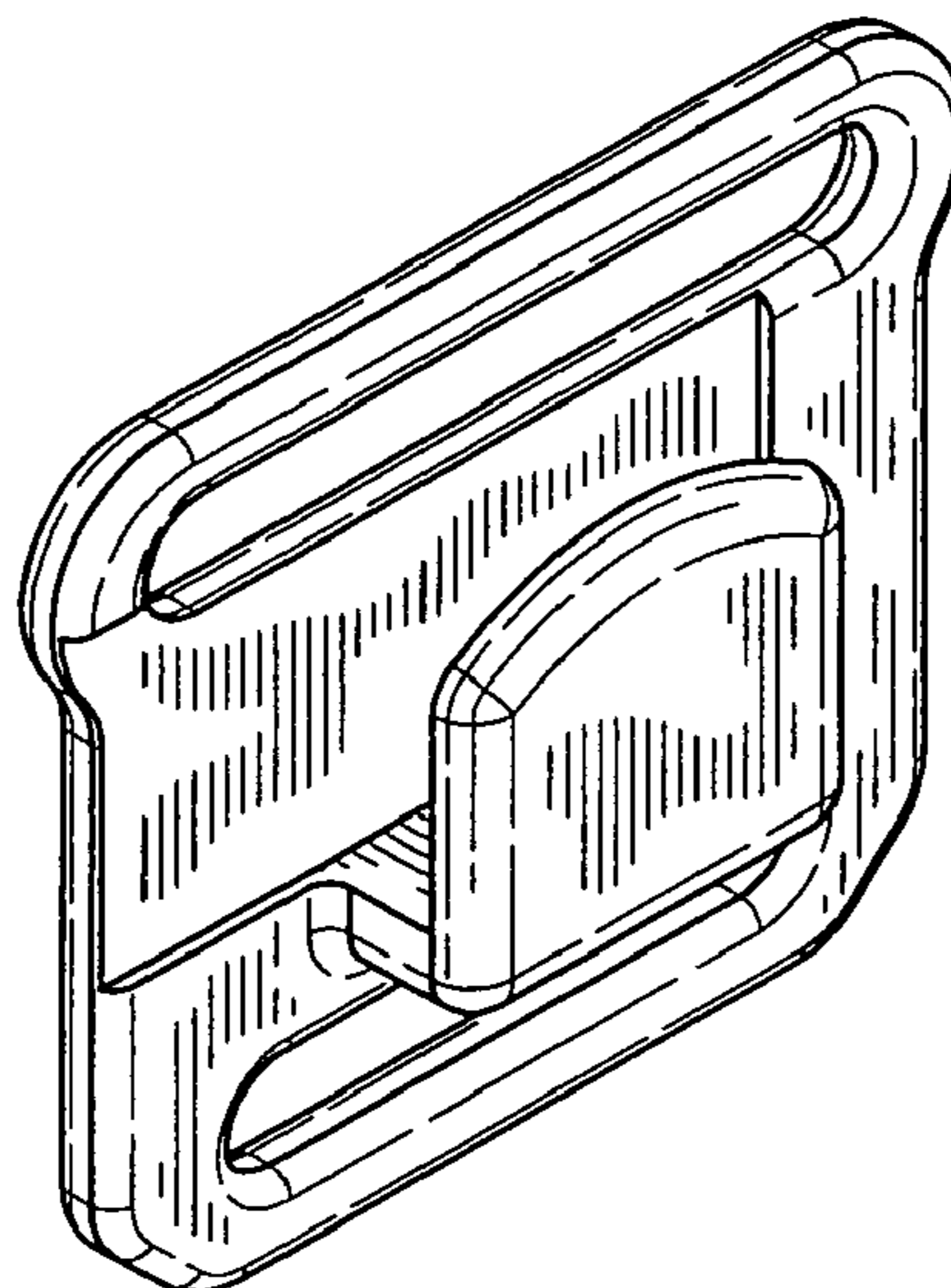
FIG. 5 is a top view of the stirrup member for a nursing bra closure as shown in FIG. 1;

FIG. 6 is a bottom view of the stirrup member for a nursing bra closure as shown in FIG. 1;

FIG. 7 is a left side view of the stirrup member for a nursing bra closure as shown in FIG. 1; and,

FIG. 8 is a right side view of the stirrup member for a nursing bra closure as shown in FIG. 1.

1 Claim, 2 Drawing Sheets



US D632,610 S

Page 2

U.S. PATENT DOCUMENTS

4,204,300 A	5/1980	Fildan		5,564,131 A	10/1996	Anscher	
D264,767 S *	6/1982	Spreter	D11/230	5,624,296 A	4/1997	Weber-Unger	
4,335,728 A	6/1982	Fildan		D403,618 S	1/1999	Fildan	
D274,862 S	7/1984	Fildan		D410,411 S	6/1999	Fildan	
D275,906 S	10/1984	Di Tullio		D412,462 S	8/1999	Fildan	
4,987,661 A	1/1991	Kasai		6,149,496 A	11/2000	Fildan	
D322,234 S *	12/1991	Fildan	D11/218	6,233,793 B1 *	5/2001	Wanzenbock	24/615
5,094,647 A *	3/1992	Courtney	450/36	D455,980 S	4/2002	Fildan et al.	
D352,681 S *	11/1994	Fildan	D11/218	6,793,556 B1	9/2004	Fildan et al.	
5,380,238 A *	1/1995	Crew-Gee	450/36	6,839,908 B2 *	1/2005	Schneider et al.	2/73
5,427,562 A	6/1995	Hwang		D523,212 S *	6/2006	Iourina	D2/706
D364,126 S *	11/1995	Ochiai et al.	D11/218	D536,638 S	2/2007	Fildan et al.	
5,485,658 A	1/1996	Fildan		D536,639 S	2/2007	Fildan et al.	
D369,129 S	4/1996	Fildan		7,314,400 B2	1/2008	Fildan et al.	
D369,327 S	4/1996	Fildan		D561,641 S	2/2008	Fildan et al.	
D373,975 S	9/1996	Anscher		D571,254 S	6/2008	Wanzenböck	
				2008/0003921 A1	1/2008	Fildan et al.	

* cited by examiner

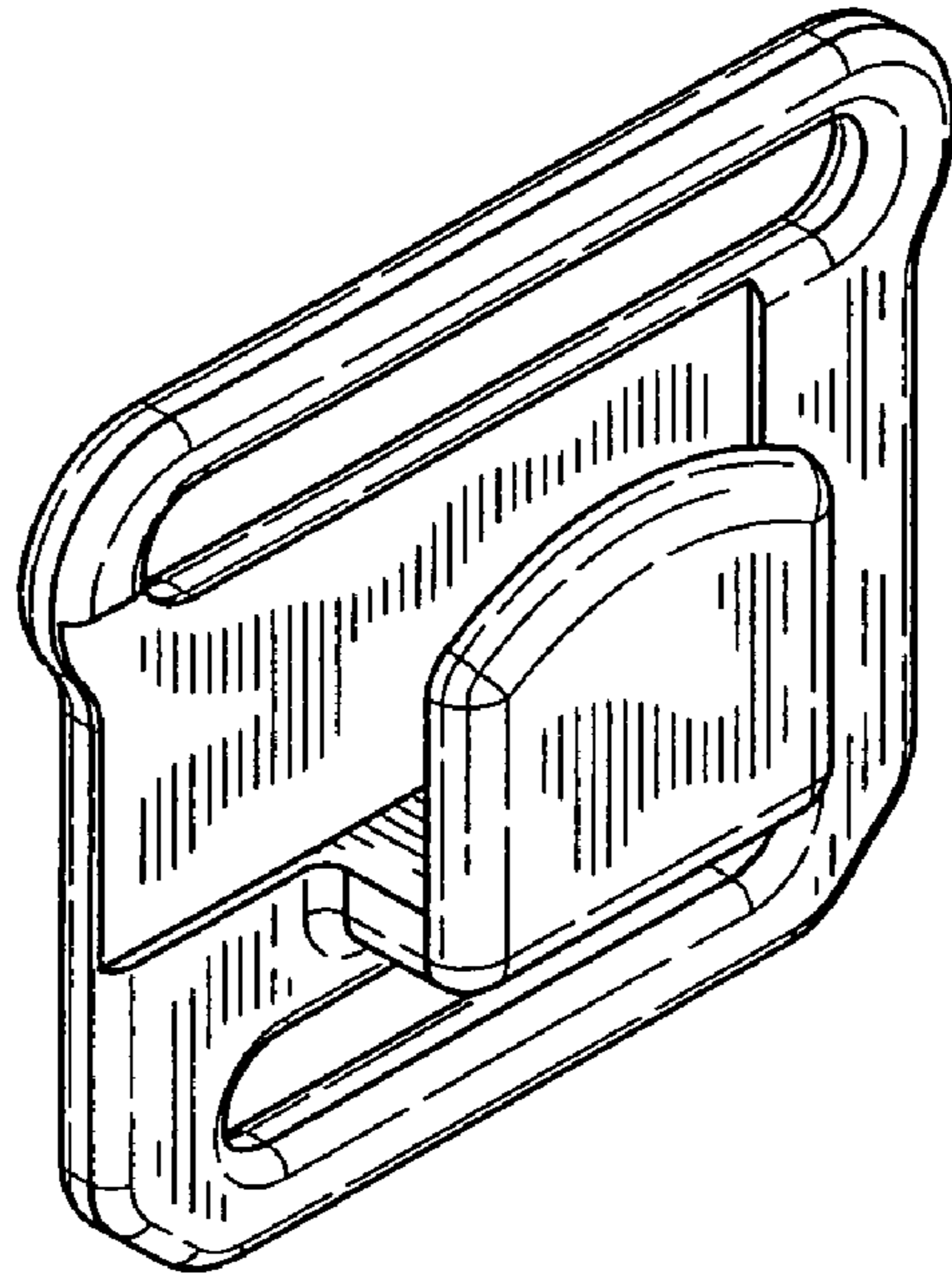


FIG-1

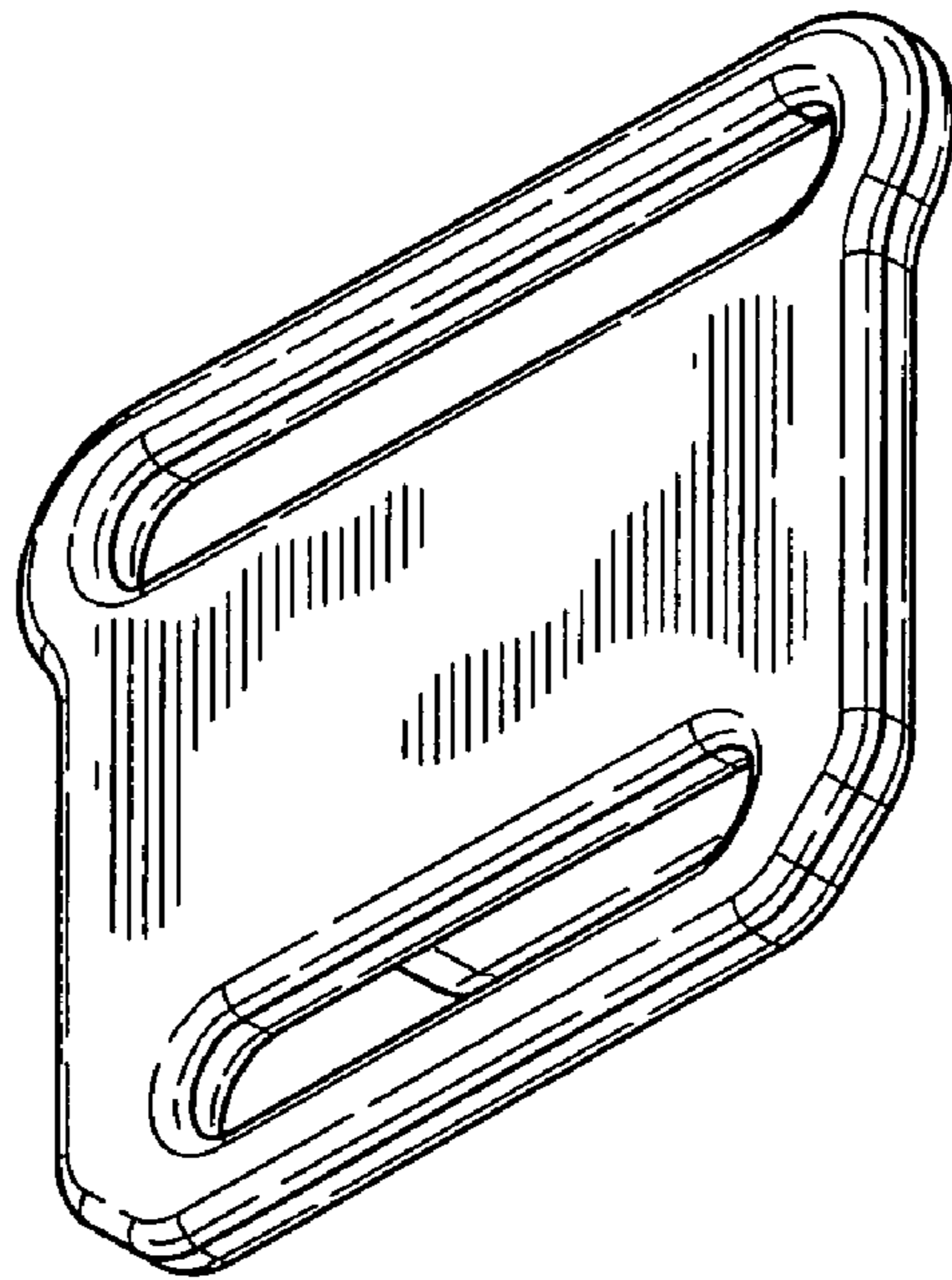


FIG-2

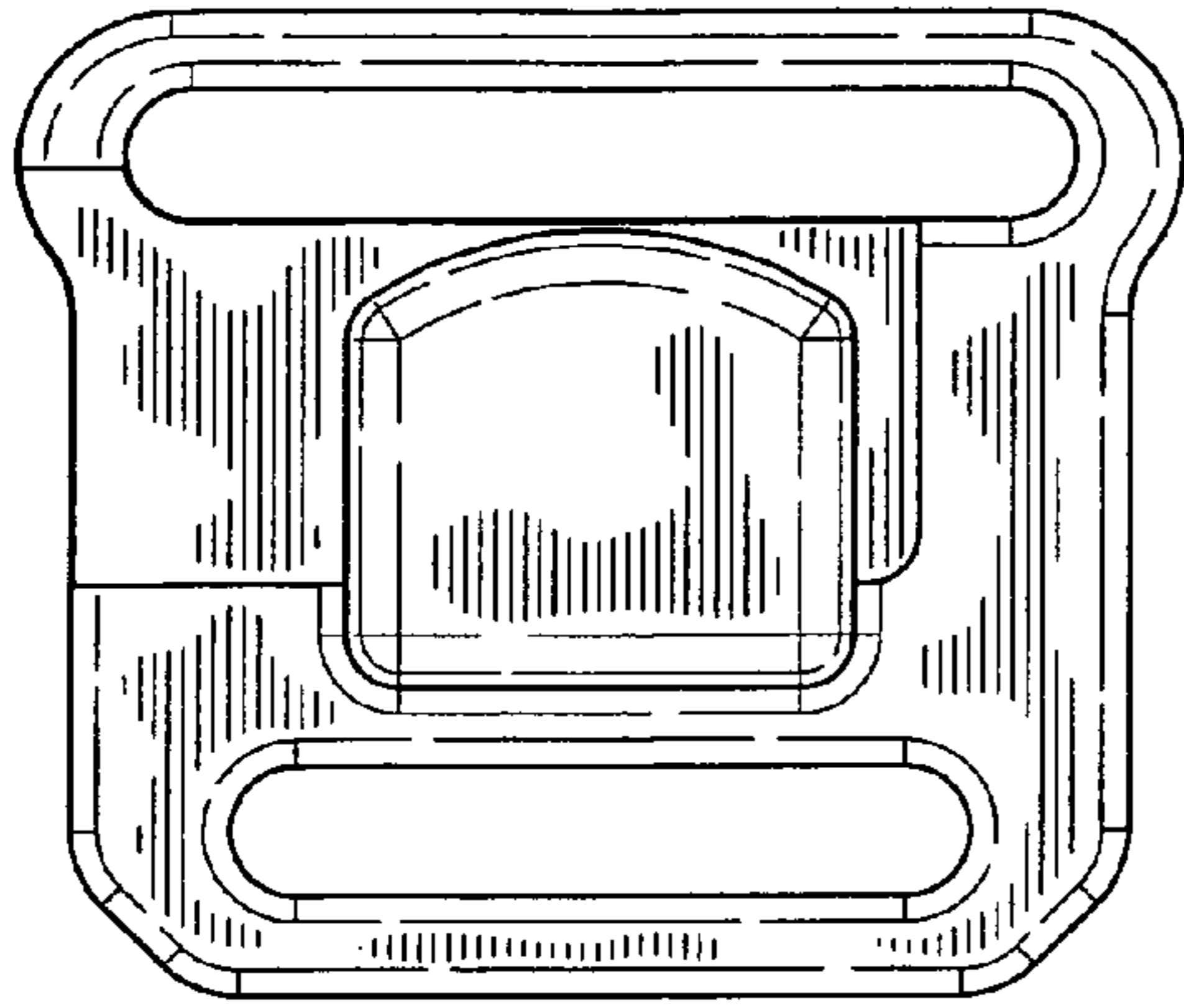


FIG-3

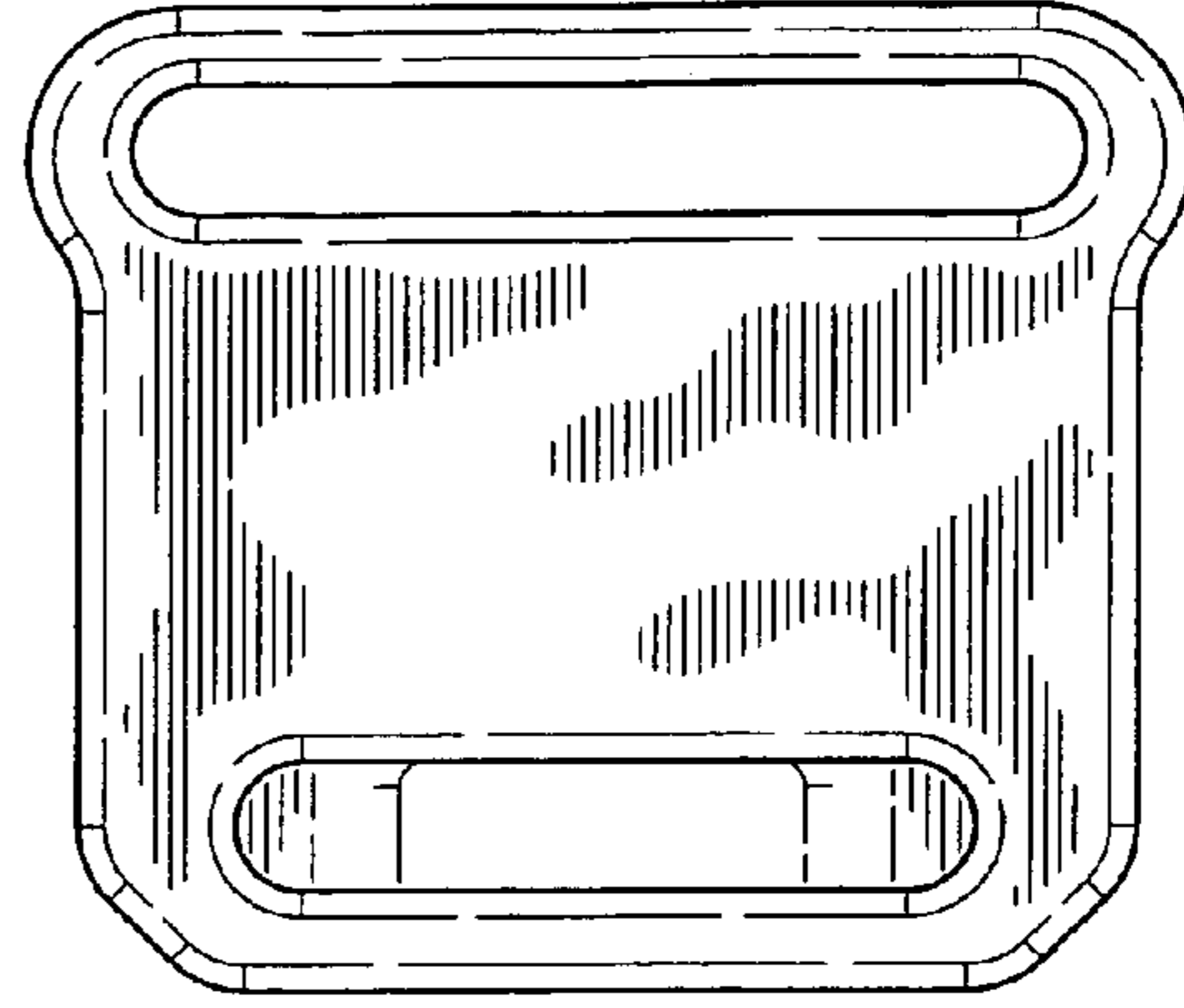


FIG-4



FIG-5

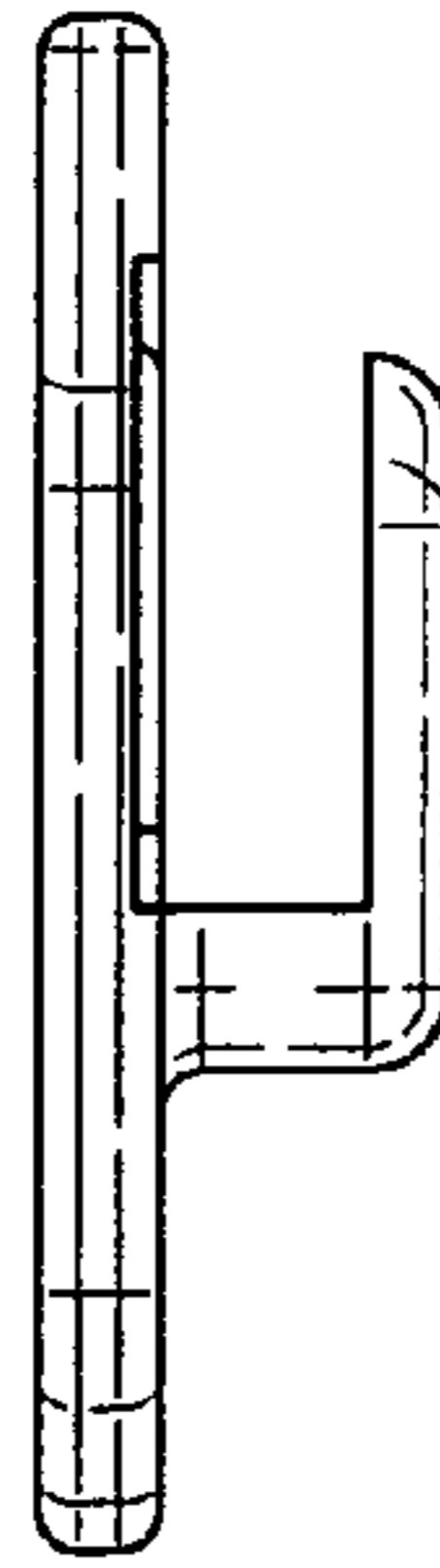


FIG-7

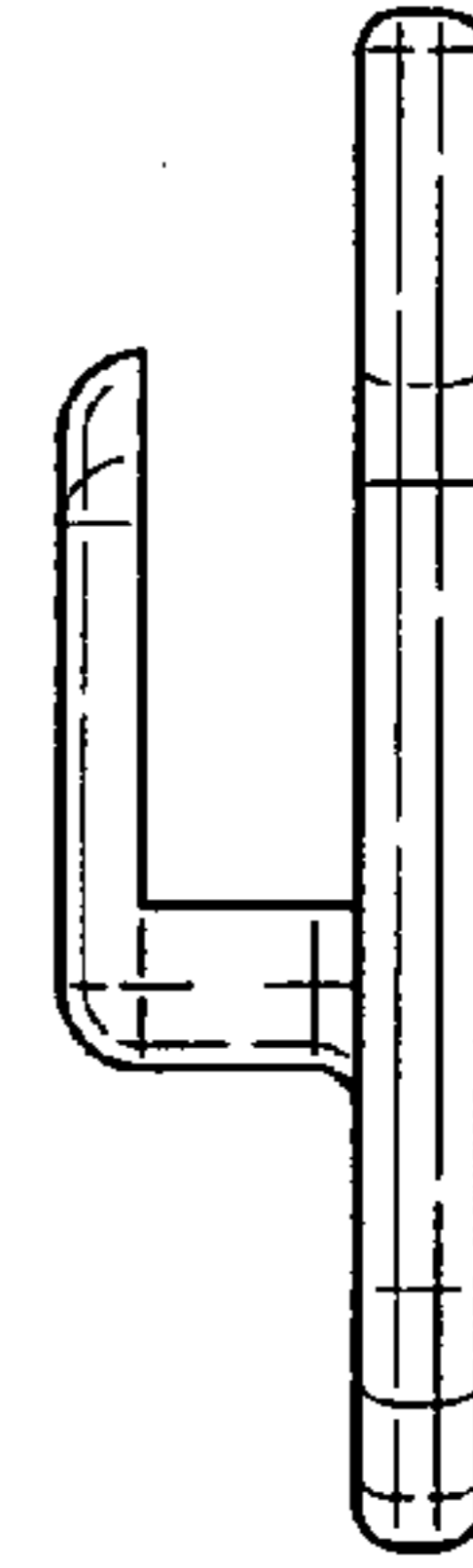


FIG-8

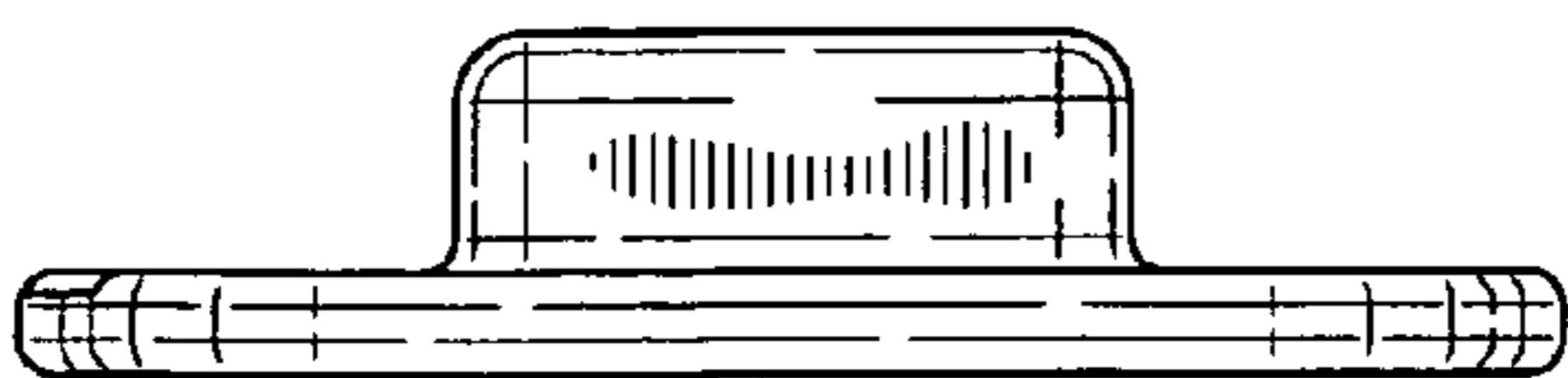


FIG-6