



US00D632609S

(12) **United States Design Patent**
Corrado

(10) **Patent No.:** **US D632,609 S**
(45) **Date of Patent:** **** Feb. 15, 2011**

(54) **LINK MEMBER FOR NURSING BRA CLOSURE**

4,110,873 A * 9/1978 Verchere 24/615
D250,299 S 11/1978 Rowell
4,204,300 A 5/1980 Fildan

(75) Inventor: **Mark Corrado**, Shaker Heights, OH (US)

(73) Assignee: **Leading Lady, Inc.**, Beachwood, OH (US)

(Continued)

(**) Term: **14 Years**

Primary Examiner—Philip S Hyder
Assistant Examiner—Anna J Burmeister

(21) Appl. No.: **29/315,516**

(74) *Attorney, Agent, or Firm*—D. Peter Hochberg; Sean F. Mellino; Daniel J. Smola

(22) Filed: **Jul. 1, 2009**

(57) **CLAIM**

(51) **LOC (9) Cl.** **02-07**

The ornamental design for a link member for nursing bra closure, as shown and described.

(52) **U.S. Cl.** **D11/208; D2/706**

(58) **Field of Classification Search** D2/706–708;
450/36; 2/236, 73; D11/200, 218, 231, 230;
24/370, 615, 625

See application file for complete search history.

DESCRIPTION

(56) **References Cited**

U.S. PATENT DOCUMENTS

| | | | |
|--------------|---------|----------------|---------------|
| 42,114 A | 3/1864 | Severance | |
| 767,236 A | 8/1904 | Pilkington | |
| 784,891 A | 3/1905 | Saart | |
| 1,201,542 A | 10/1916 | Baumgartner | |
| D55,219 S | 5/1920 | Warner et al. | |
| 1,390,776 A | 9/1921 | Gardner | |
| 1,947,368 A | 2/1934 | White et al. | |
| 2,285,714 A | 6/1942 | Hirsch | |
| D134,696 S | 12/1942 | Kasen | |
| 2,315,698 A | 4/1943 | Gluckmann | |
| D161,560 S | 1/1951 | White | |
| D176,378 S * | 12/1955 | Paulson | D11/208 |
| 3,127,656 A | 4/1964 | Schwabe et al. | |
| D204,260 S | 4/1966 | Moskowitz | |
| 3,267,542 A | 8/1966 | Sussman | |
| 3,426,400 A | 2/1969 | Lauro | |
| D214,835 S | 8/1969 | Lockwood | |
| 3,837,049 A | 9/1974 | Corrado | |
| 4,001,924 A | 1/1977 | Bengtsson | |

FIG. 1 is a perspective top front view of the link member for a nursing bra closure;

FIG. 2 is a perspective bottom rear view of the link member for a nursing bra closure as shown in FIG. 1;

FIG. 3 is a front view of the link member for a nursing bra closure as shown in FIG. 1;

FIG. 4 is a rear view of the link member for a nursing bra closure as shown in FIG. 1;

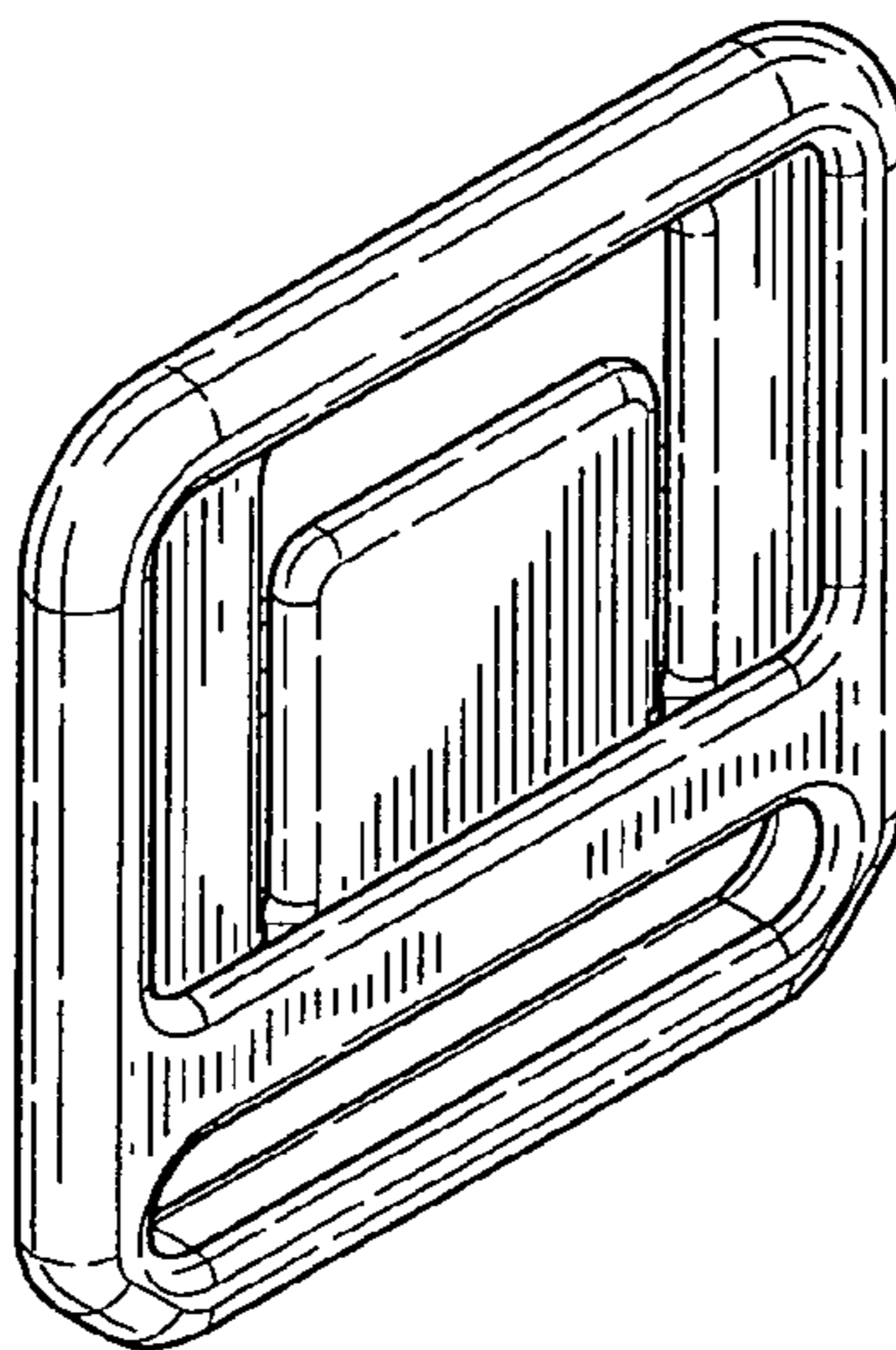
FIG. 5 is a top view of the link member for a nursing bra closure as shown in FIG. 1;

FIG. 6 is a bottom view of the link member for a nursing bra closure as shown in FIG. 1;

FIG. 7 is a left side view of the link member for a nursing bra closure as shown in FIG. 1; and,

FIG. 8 is a right side view of the link member for a nursing bra closure as shown in FIG. 1.

1 Claim, 2 Drawing Sheets



US D632,609 S

Page 2

U.S. PATENT DOCUMENTS

| | | | | | | | |
|---------------|---------|--------------------|---------|-----------------|---------|-----------------------|--------|
| D264,767 S * | 6/1982 | Spreter | D11/230 | 5,624,296 A | 4/1997 | Weber-Unger | |
| 4,335,728 A | 6/1982 | Fildan | | D403,618 S | 1/1999 | Fildan | |
| D274,862 S | 7/1984 | Fildan | | D410,411 S | 6/1999 | Fildan | |
| D275,906 S | 10/1984 | Di Tullio | | D412,462 S | 8/1999 | Fildan | |
| 4,987,661 A | 1/1991 | Kasai | | 6,149,496 A | 11/2000 | Fildan | |
| D322,234 S * | 12/1991 | Fildan | D11/218 | 6,233,793 B1 * | 5/2001 | Wanzenbock | 24/615 |
| 5,094,647 A * | 3/1992 | Courtney | 450/36 | D455,980 S | 4/2002 | Fildan et al. | |
| D352,681 S * | 11/1994 | Fildan | D11/218 | 6,793,556 B1 | 9/2004 | Fildan et al. | |
| 5,380,238 A * | 1/1995 | Crew-Gee | 450/36 | 6,839,908 B2 * | 1/2005 | Schneider et al. | 2/73 |
| 5,427,562 A | 6/1995 | Hwang | | D523,212 S * | 6/2006 | Iourina | D2/706 |
| D364,126 S * | 11/1995 | Ochiai et al. | D11/218 | D536,638 S | 2/2007 | Fildan et al. | |
| 5,485,658 A | 1/1996 | Fildan | | D536,639 S | 2/2007 | Fildan et al. | |
| D369,129 S | 4/1996 | Fildan | | 7,314,400 B2 | 1/2008 | Fildan et al. | |
| D369,327 S | 4/1996 | Fildan | | D561,641 S | 2/2008 | Fildan et al. | |
| D373,975 S | 9/1996 | Anscher | | D571,254 S | 6/2008 | Wanzenböck | |
| 5,564,131 A | 10/1996 | Anscher | | 2008/0003921 A1 | 1/2008 | Fildan et al. | |

* cited by examiner

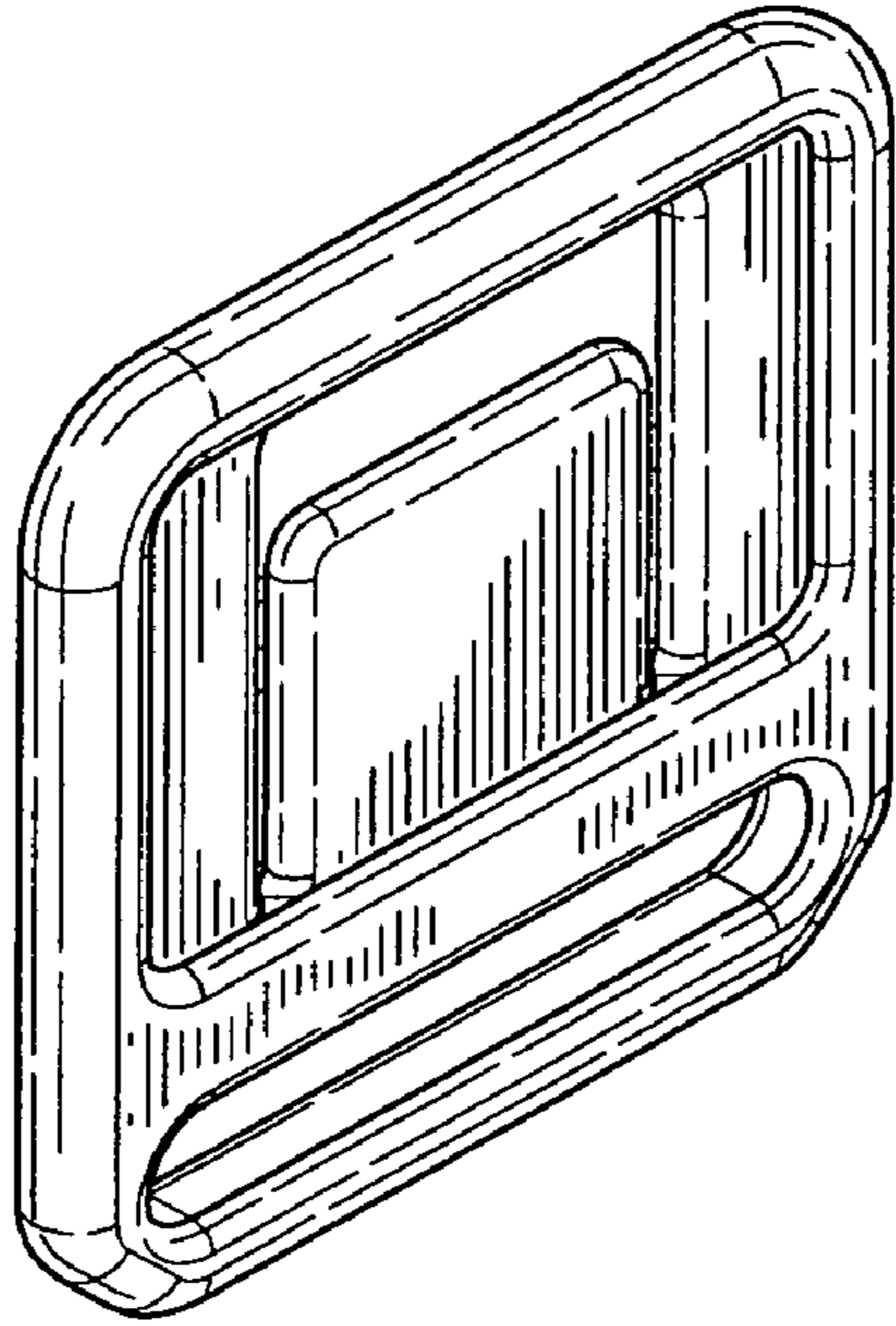


FIG-1

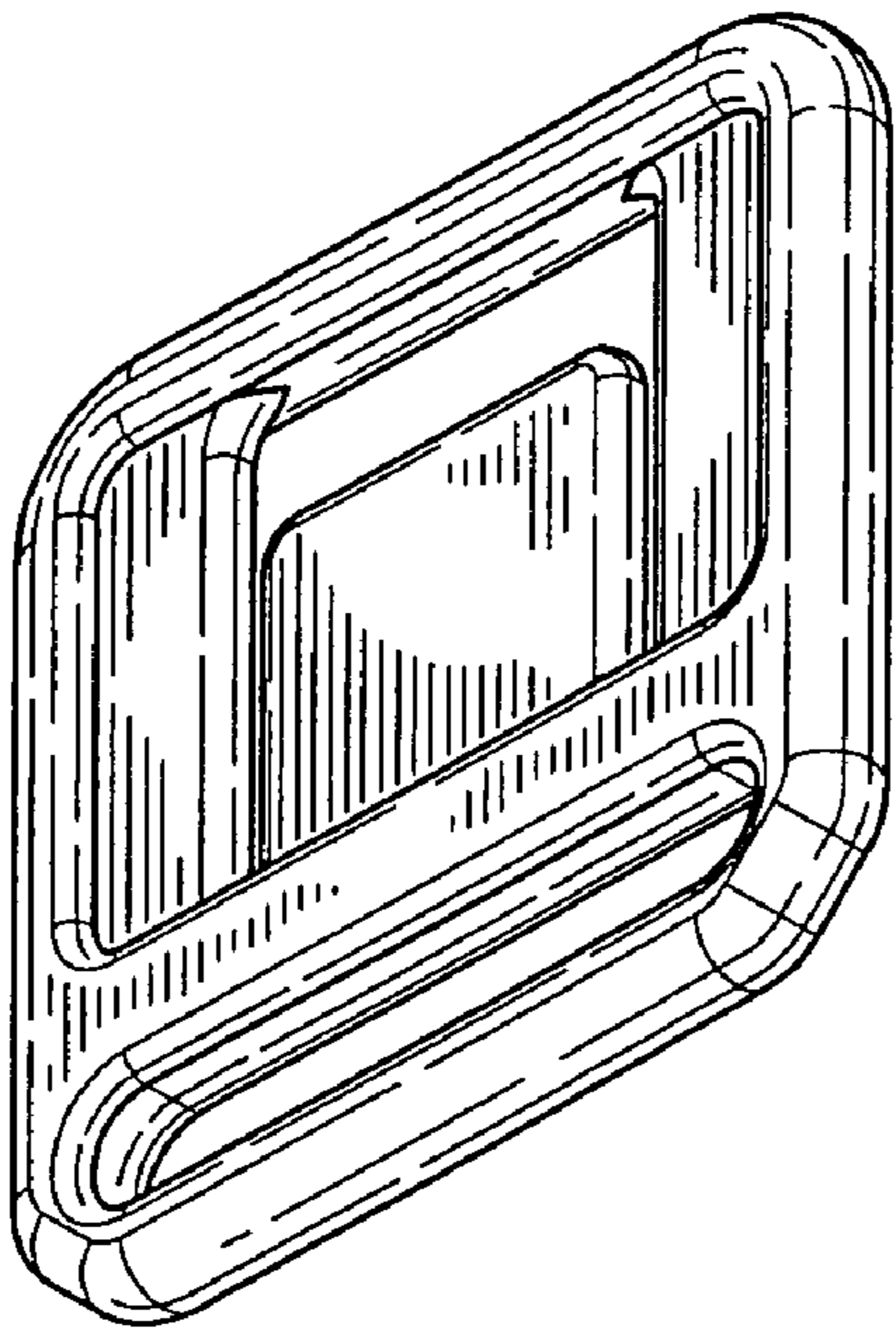


FIG-2

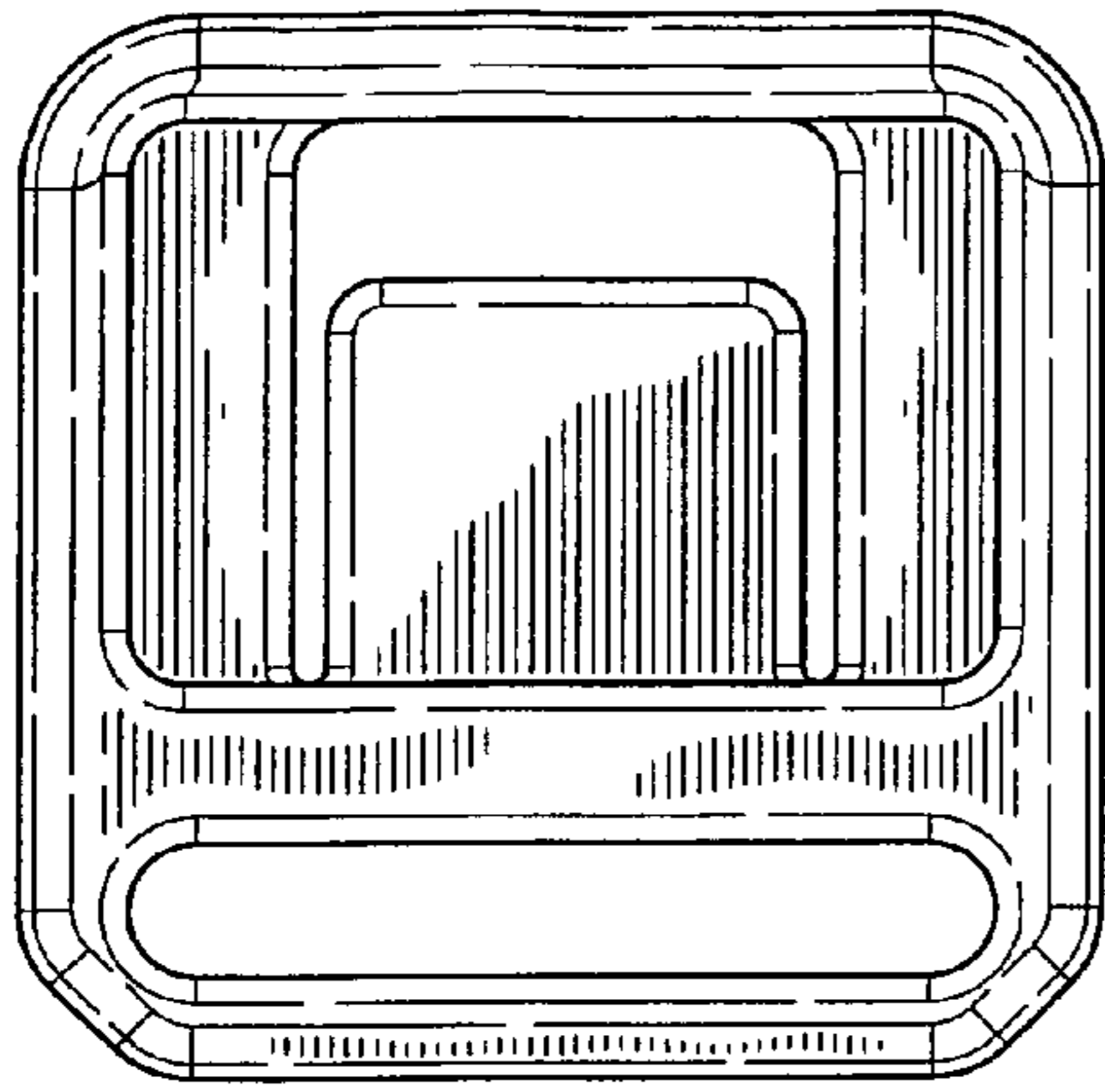


FIG-3

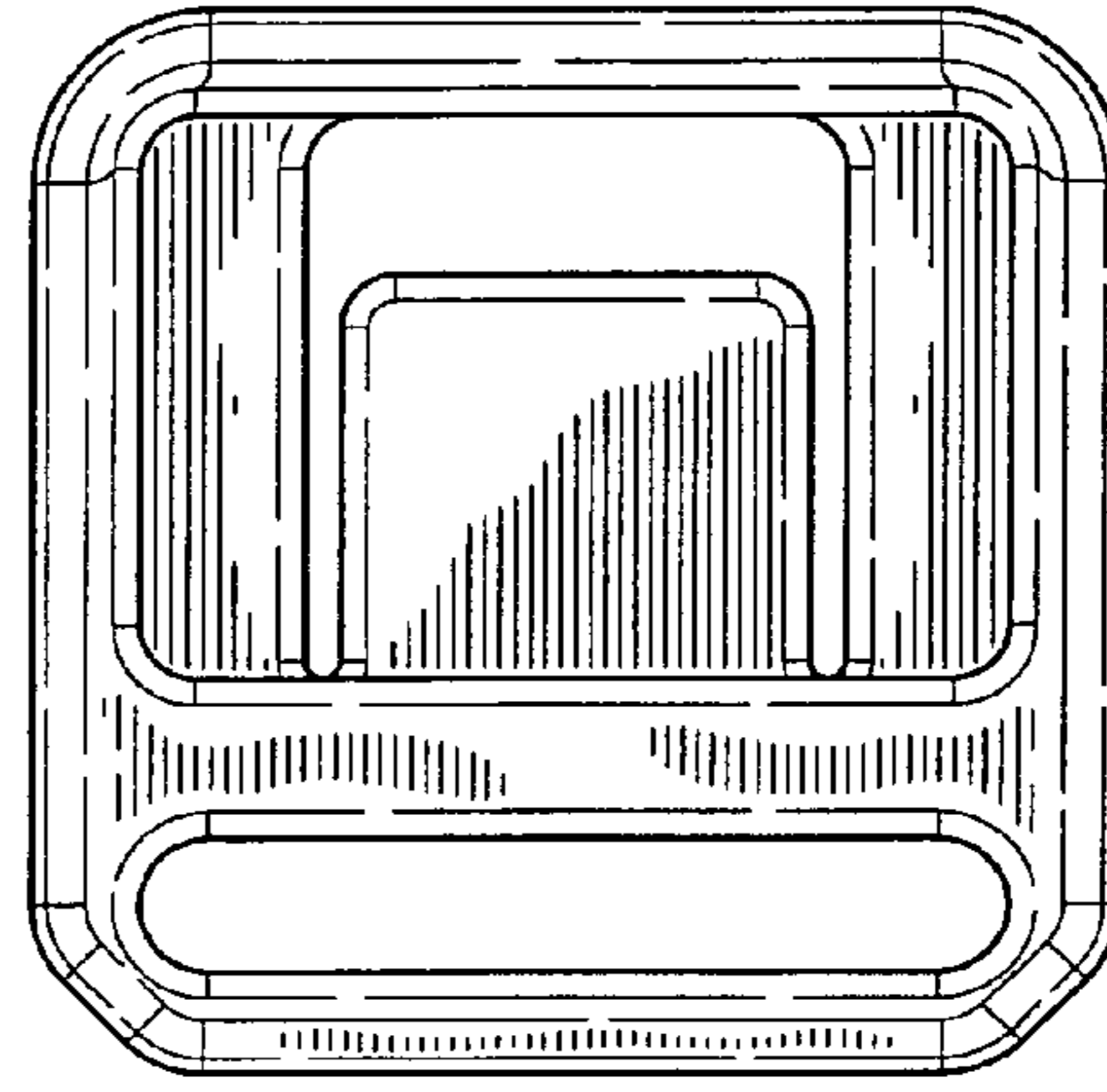


FIG-4

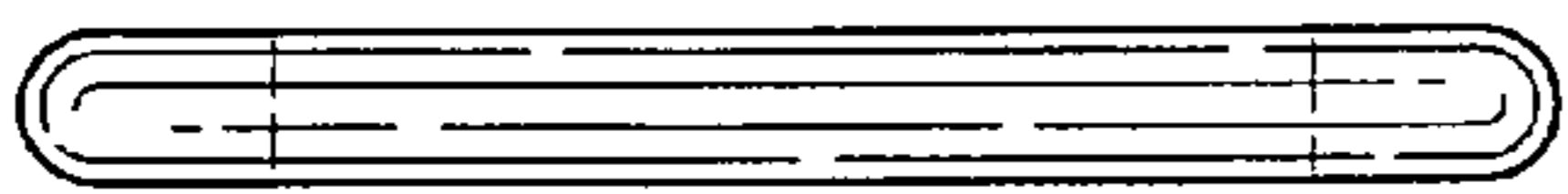


FIG-5

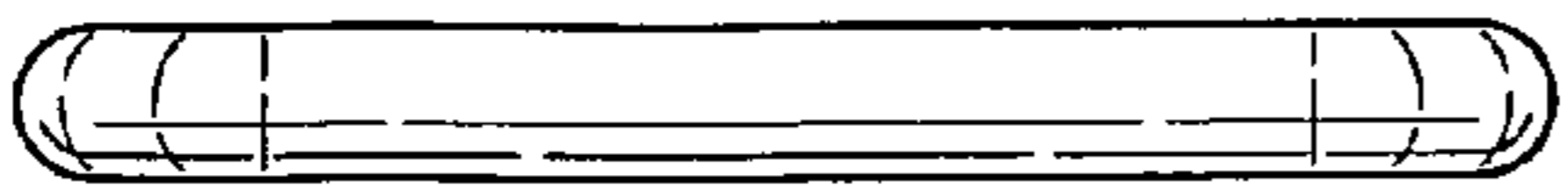


FIG-6



FIG-7



FIG-8