



US00D632608S

(12) **United States Design Patent**  
**Corrado**

(10) **Patent No.:** **US D632,608 S**

(45) **Date of Patent:** **\*\* Feb. 15, 2011**

(54) **CLOSURE FOR NURSING BRA**

4,335,728 A 6/1982 Fildan

(75) Inventor: **Mark Corrado**, Shaker Heights, OH  
(US)

D274,862 S 7/1984 Fildan

D275,906 S 10/1984 Di Tullio

(73) Assignee: **Leading Lady, Inc.**, Beachwood, OH  
(US)

(Continued)

(\*\*) Term: **14 Years**

*Primary Examiner*—Philip S Hyder

*Assistant Examiner*—Anna J Burmeister

(21) Appl. No.: **29/315,515**

(74) *Attorney, Agent, or Firm*—D. Peter Hochberg; Sean F.

(22) Filed: **Jul. 1, 2009**

Mellino; Daniel J. Smola

(51) **LOC (9) Cl.** ..... **02-07**

(57) **CLAIM**

(52) **U.S. Cl.** ..... **D11/208; D2/706**

(58) **Field of Classification Search** ..... D2/706–708;  
450/36; 2/236, 73; D11/200, 218, 208, 231,  
D11/230; 24/370, 615, 625

The ornamental design for a closure for nursing bra, as shown and described.

See application file for complete search history.

(56) **References Cited**

**DESCRIPTION**

U.S. PATENT DOCUMENTS

42,114 A	3/1864	Severance	
767,236 A	8/1904	Pilkington	
784,891 A	3/1905	Saart	
1,201,542 A	10/1916	Baumgartner	
D55,219 S	5/1920	Warner et al.	
1,390,776 A	9/1921	Gardner	
1,947,368 A	2/1934	White et al.	
2,285,714 A	6/1942	Hirsh	
D134,696 S	12/1942	Kasen	
2,315,698 A	4/1943	Gluckmann	
D161,560 S	1/1951	White	
D176,378 S *	12/1955	Paulson	D11/208
3,127,656 A	4/1964	Schwabe et al.	
D204,260 S	4/1966	Moskowitz	
3,267,542 A	8/1966	Sussman	
3,426,400 A	2/1969	Lauro	
D214,835 S	8/1969	Czapar et al.	
3,837,049 A	9/1974	Corrado	
4,001,924 A	1/1977	Bengtsson	
4,110,873 A *	9/1978	Verchere	24/615
D250,299 S	11/1978	Rowell	
4,204,300 A	5/1980	Fildan	
D264,767 S *	6/1982	Spreter	D11/230

FIG. 1 is a perspective top front view of the closure for a nursing bra in a latched condition;

FIG. 2 is a perspective bottom rear view of the closure for a nursing bra as shown in FIG. 1;

FIG. 3 is a front view of the closure for a nursing bra as shown in FIG. 1;

FIG. 4 is a rear view of the closure for a nursing bra as shown in FIG. 1;

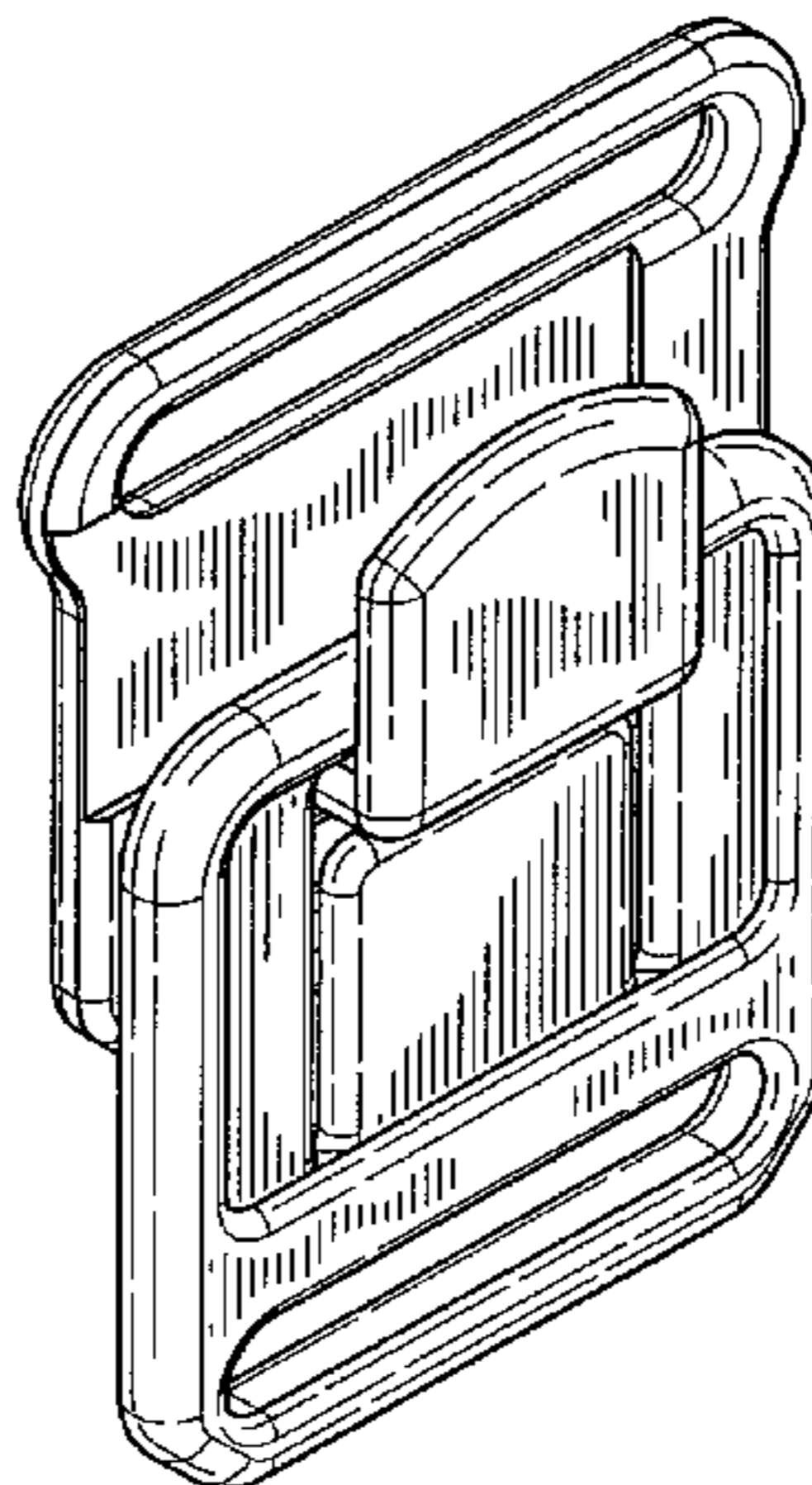
FIG. 5 is a top view of the closure for a nursing bra as shown in FIG. 1;

FIG. 6 is a bottom view of the closure for a nursing bra as shown in FIG. 1;

FIG. 7 is a left side view of the closure for a nursing bra as shown in FIG. 1; and,

FIG. 8 is a right side view of the closure for a nursing bra as shown in FIG. 1.

**1 Claim, 2 Drawing Sheets**



# US D632,608 S

Page 2

## U.S. PATENT DOCUMENTS

4,987,661	A	1/1991	Kasai				
D322,234	S	* 12/1991	Fildan .....	D11/218			
5,094,647	A	* 3/1992	Courtney .....	450/36			
D352,681	S	* 11/1994	Fildan .....	D11/218			
5,380,238	A	* 1/1995	Crew-Gee .....	450/36			
5,427,562	A	6/1995	Hwang				
D364,126	S	* 11/1995	Ochiai et al. ....	D11/218			
5,485,658	A	1/1996	Fildan				
D369,129	S	4/1996	Fildan				
D369,327	S	4/1996	Fildan				
D373,975	S	9/1996	Anscher				
5,564,131	A	10/1996	Anscher				
5,624,296	A	4/1997	Weber-Unger				
D403,618	S	1/1999	Fildan				
D410,411	S	6/1999	Fildan				
D412,462	S	8/1999	Fildan				
6,149,496	A	11/2000	Fildan				
6,233,793	B1	* 5/2001	Wanzenbock .....	24/615			
D455,980	S	4/2002	Fildan et al.				
6,793,556	B1	9/2004	Fildan et al.				
6,839,908	B2	* 1/2005	Schneider et al. ....	2/73			
D523,212	S	* 6/2006	Iourina .....	D2/706			
D536,638	S	2/2007	Fildan et al.				
D536,639	S	2/2007	Fildan et al.				
7,314,400	B2	1/2008	Fildan et al.				
D561,641	S	2/2008	Fildan et al.				
D571,254	S	6/2008	Wanzenböck				
2008/0003921	A1	1/2008	Fildan et al.				

\* cited by examiner

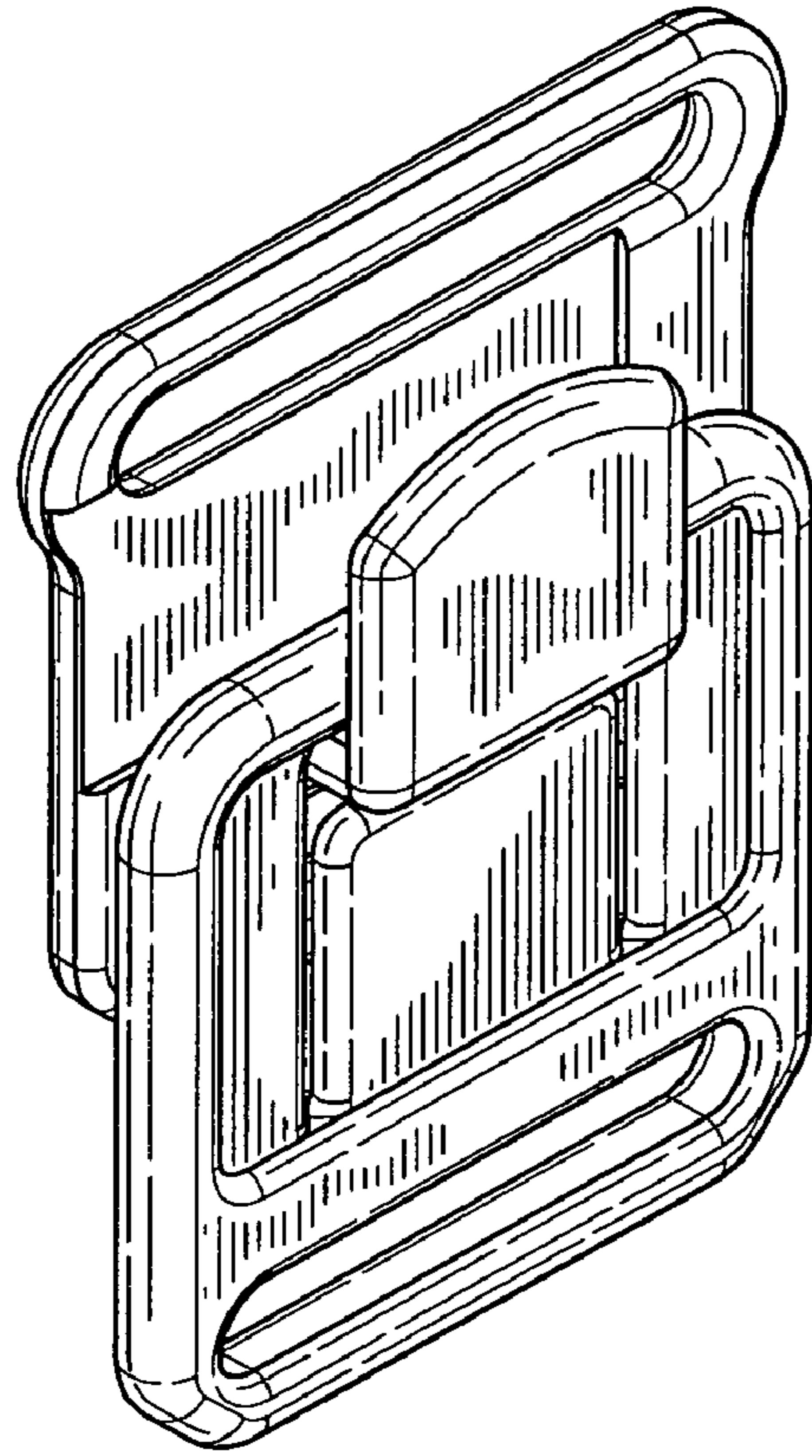


FIG-1

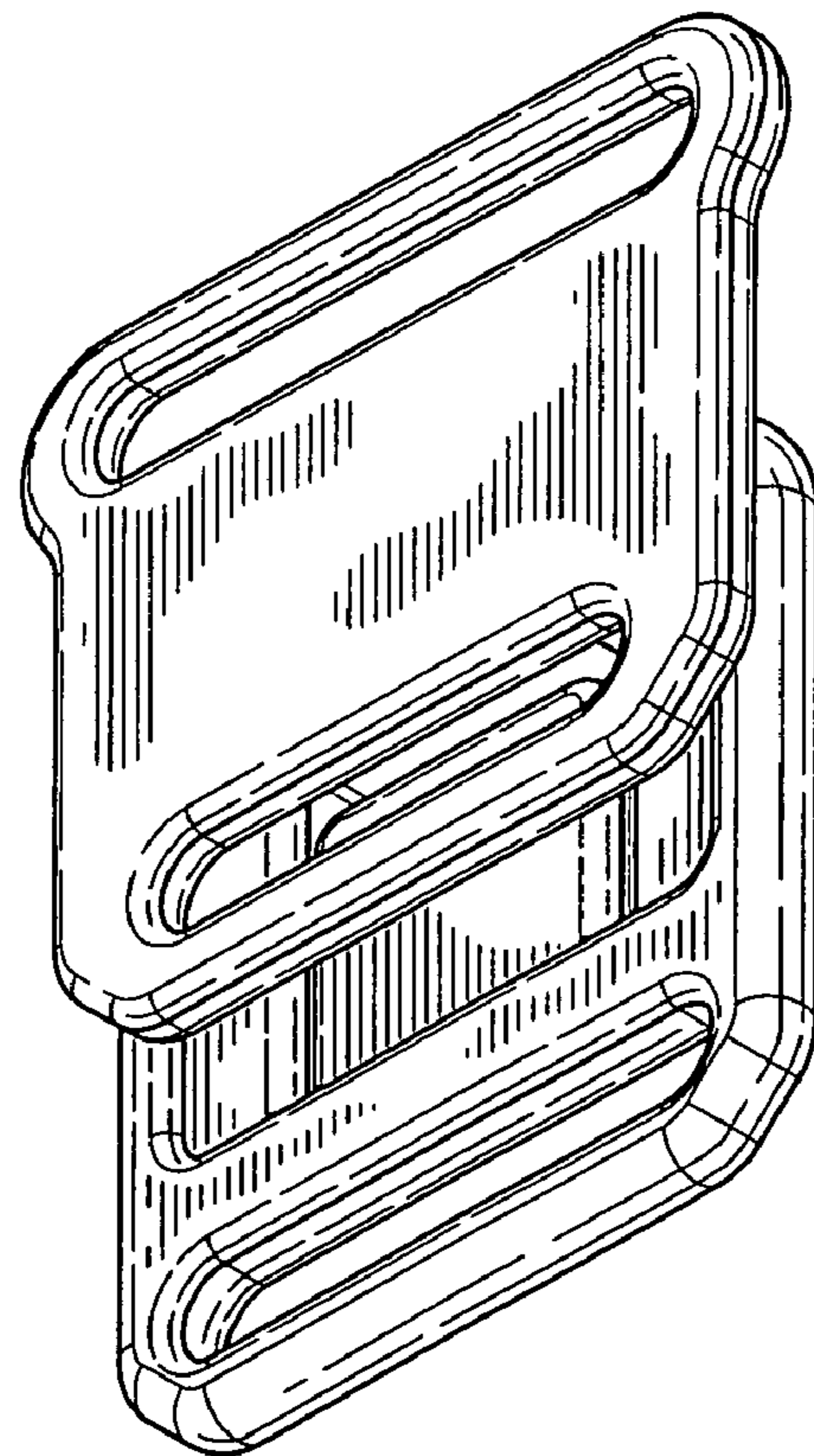


FIG-2

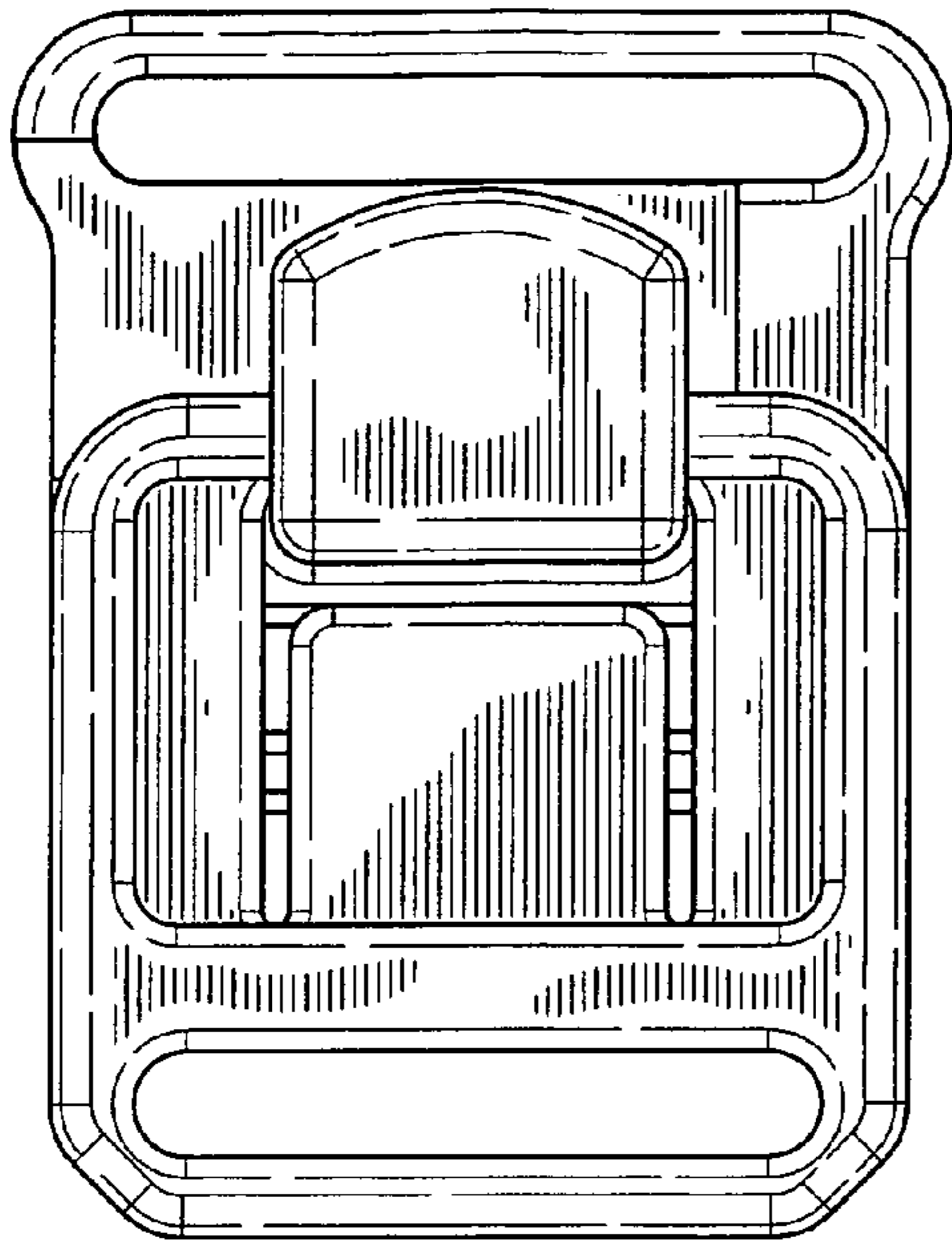


FIG-3

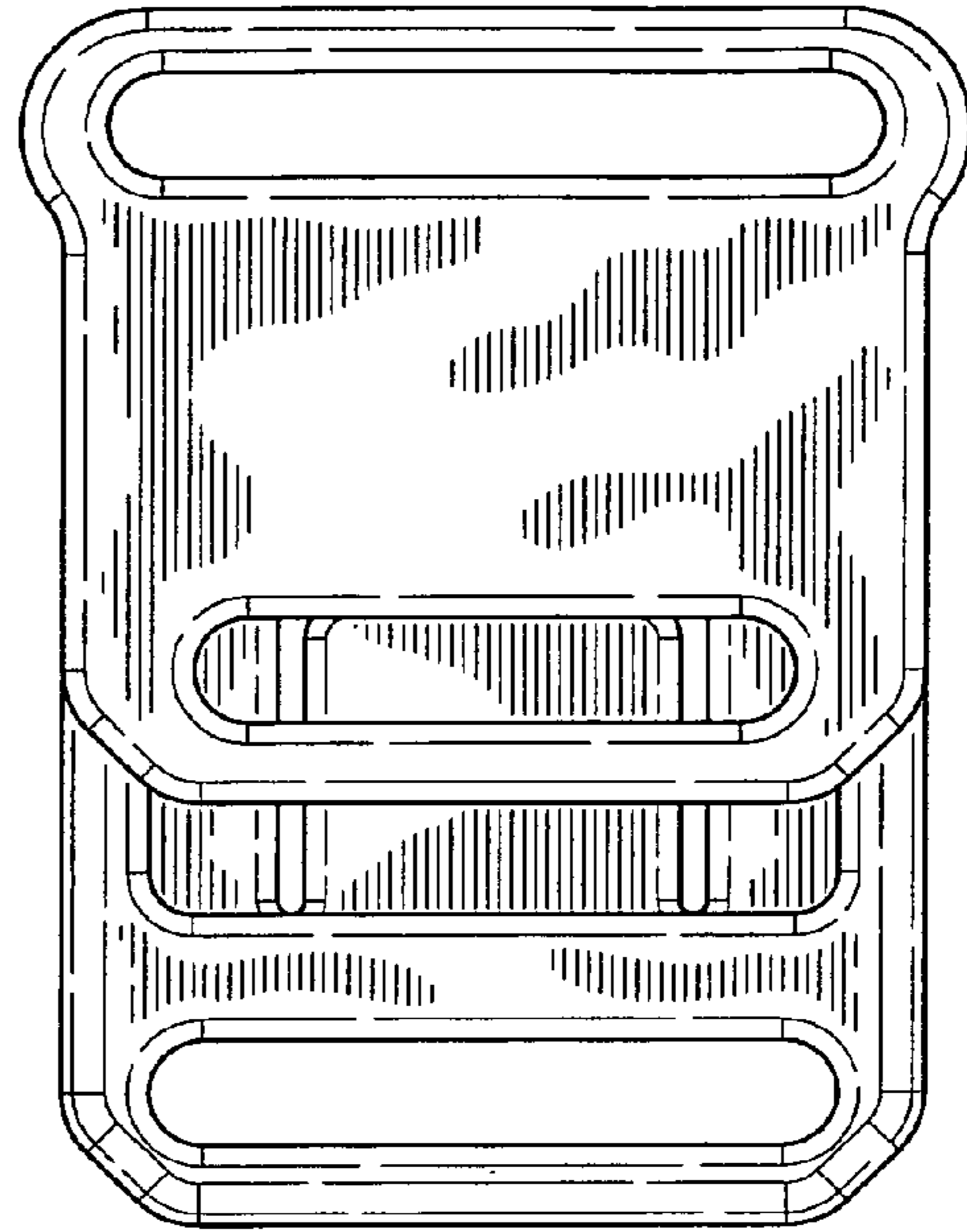


FIG-4

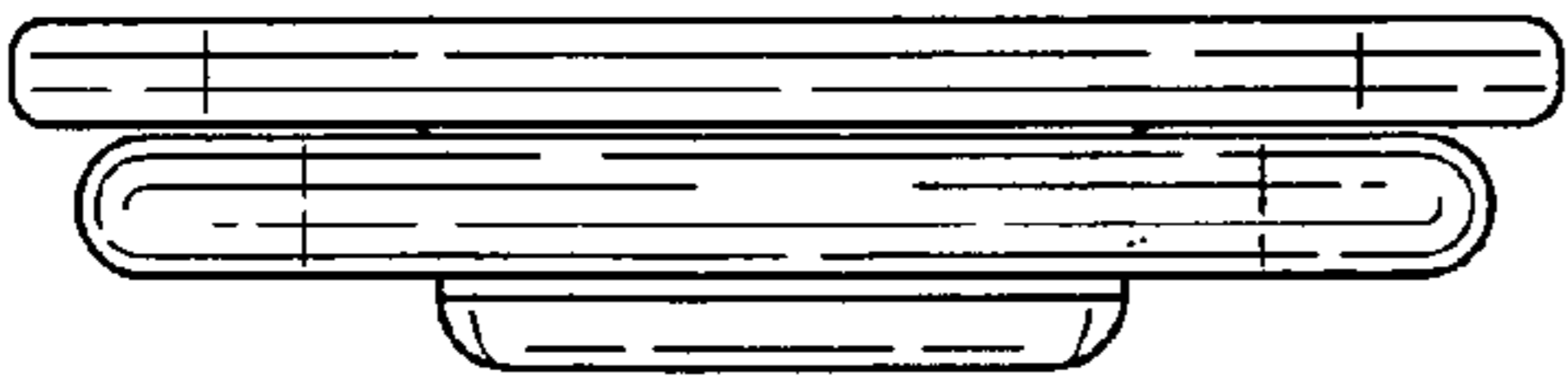


FIG-5

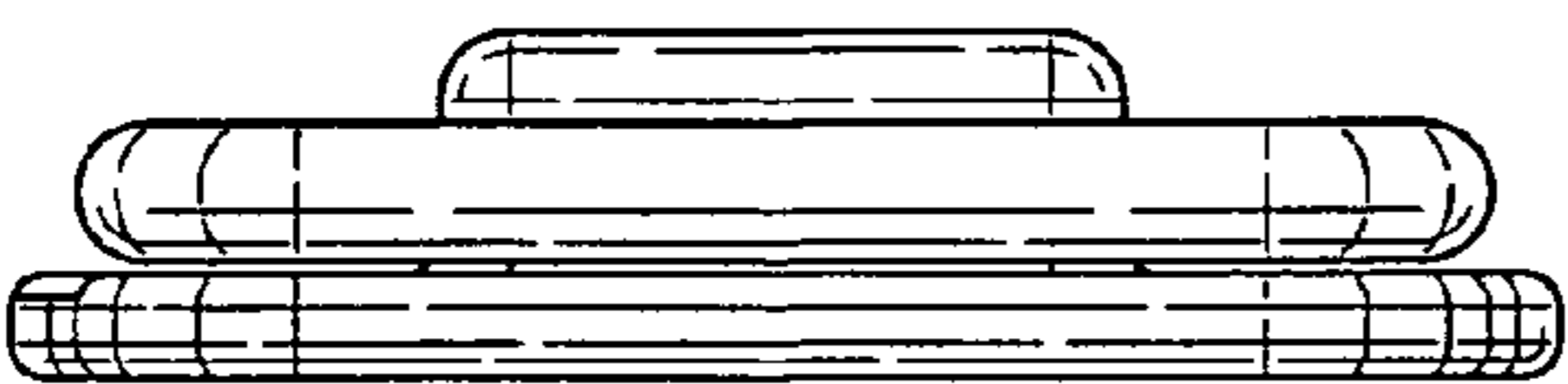


FIG-6

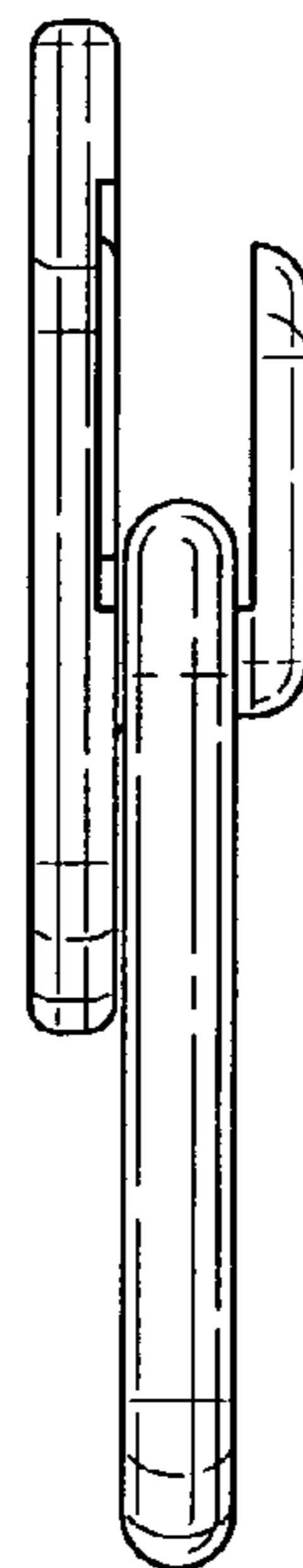


FIG-7

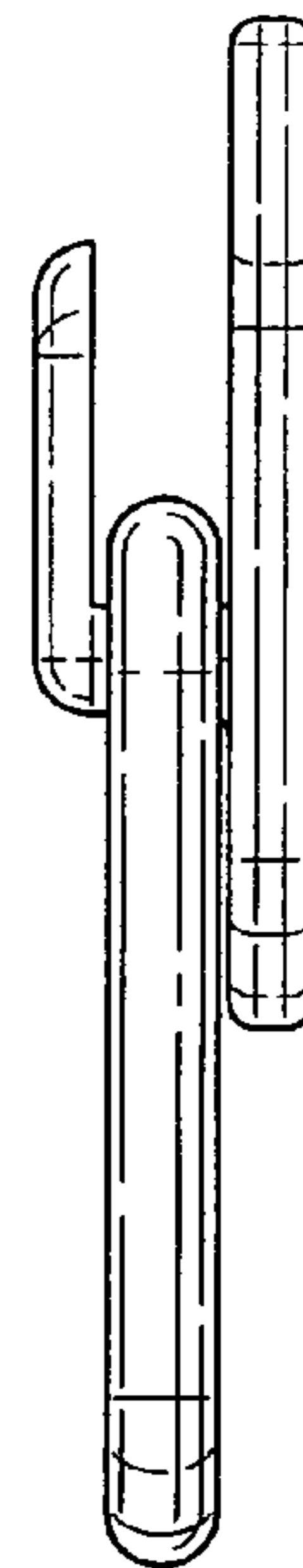


FIG-8