

US00D632607S

(12) **United States Design Patent**
Gillingham

(10) **Patent No.:** **US D632,607 S**

(45) **Date of Patent:** **** Feb. 15, 2011**

(54) **PLANT STAND**

(76) **Inventor:** **Robert Gillingham**, P.O. Box 2552,
Redmond, WA (US) 98073

(**) **Term:** **14 Years**

(21) **Appl. No.:** **29/364,401**

(22) **Filed:** **Jun. 23, 2010**

(51) **LOC (9) Cl.** **11-02**

(52) **U.S. Cl.** **D11/164**

(58) **Field of Classification Search** D11/143–145,
D11/149, 152–154, 157, 164, 147; 47/65.5,
47/67, 66.6, 69, 70, 71, 79, 80, 81; 220/574,
220/579; 206/423; 248/27.8; D7/354, 359,
D7/367, 672, 538, 540, 584

See application file for complete search history.

(56) **References Cited**

U.S. PATENT DOCUMENTS

D198,040 S *	4/1964	Bonham	D11/147
D340,204 S *	10/1993	Grosfillex	D11/155
D346,568 S *	5/1994	Bates	D11/164
5,309,670 A *	5/1994	Bates	47/71
D478,735 S *	8/2003	Sellers	D6/403
D503,861 S *	4/2005	Sellers	D6/403

D505,564 S *	5/2005	Wagner	D6/403
D507,762 S *	7/2005	Lehman et al.	D11/164
D510,295 S *	10/2005	Lehman et al.	D11/164
2003/0074834 A1 *	4/2003	Laske, Jr.	47/39
2005/0081439 A1 *	4/2005	Lehman et al.	47/39
2009/0229180 A1 *	9/2009	Rich et al.	47/66.6

* cited by examiner

Primary Examiner—Holly H Baynham
Assistant Examiner—Michelle E Wilson
(74) *Attorney, Agent, or Firm*—Dean A. Craine

(57) **CLAIM**

The ornamental design for a plant stand, as shown and described.

DESCRIPTION

FIG. 1 is a front perspective view of the plant stand.

FIG. 2 is a top plan view of the invention.

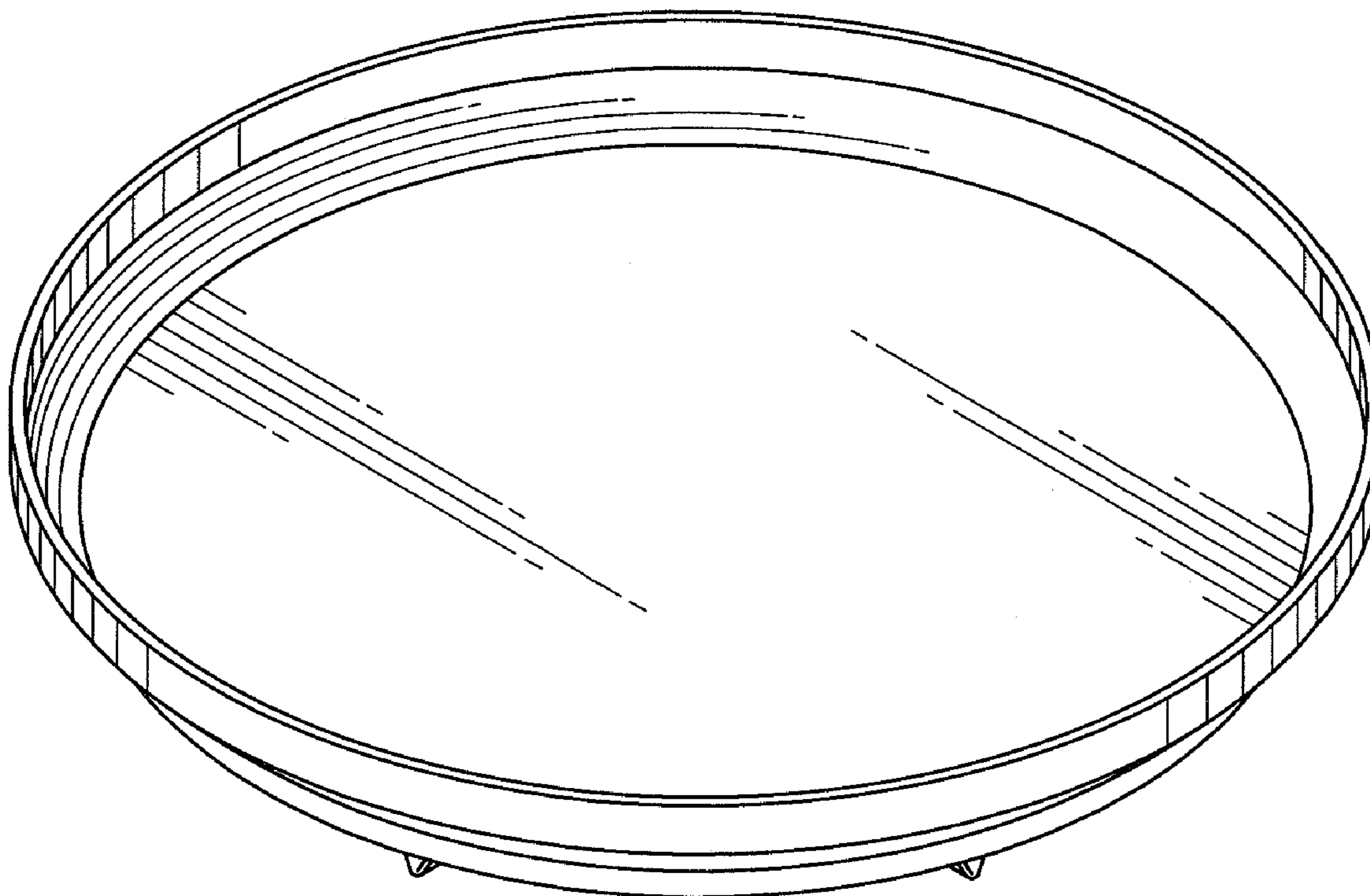
FIG. 3 is a bottom plan view of the invention.

FIG. 4 is a front elevational view of the invention.

FIG. 5 is a right side elevational view of the invention; and,

FIG. 6 is a cross sectional view of the plant stand taken along section lines 6—6' of FIG. 3.

1 Claim, 3 Drawing Sheets



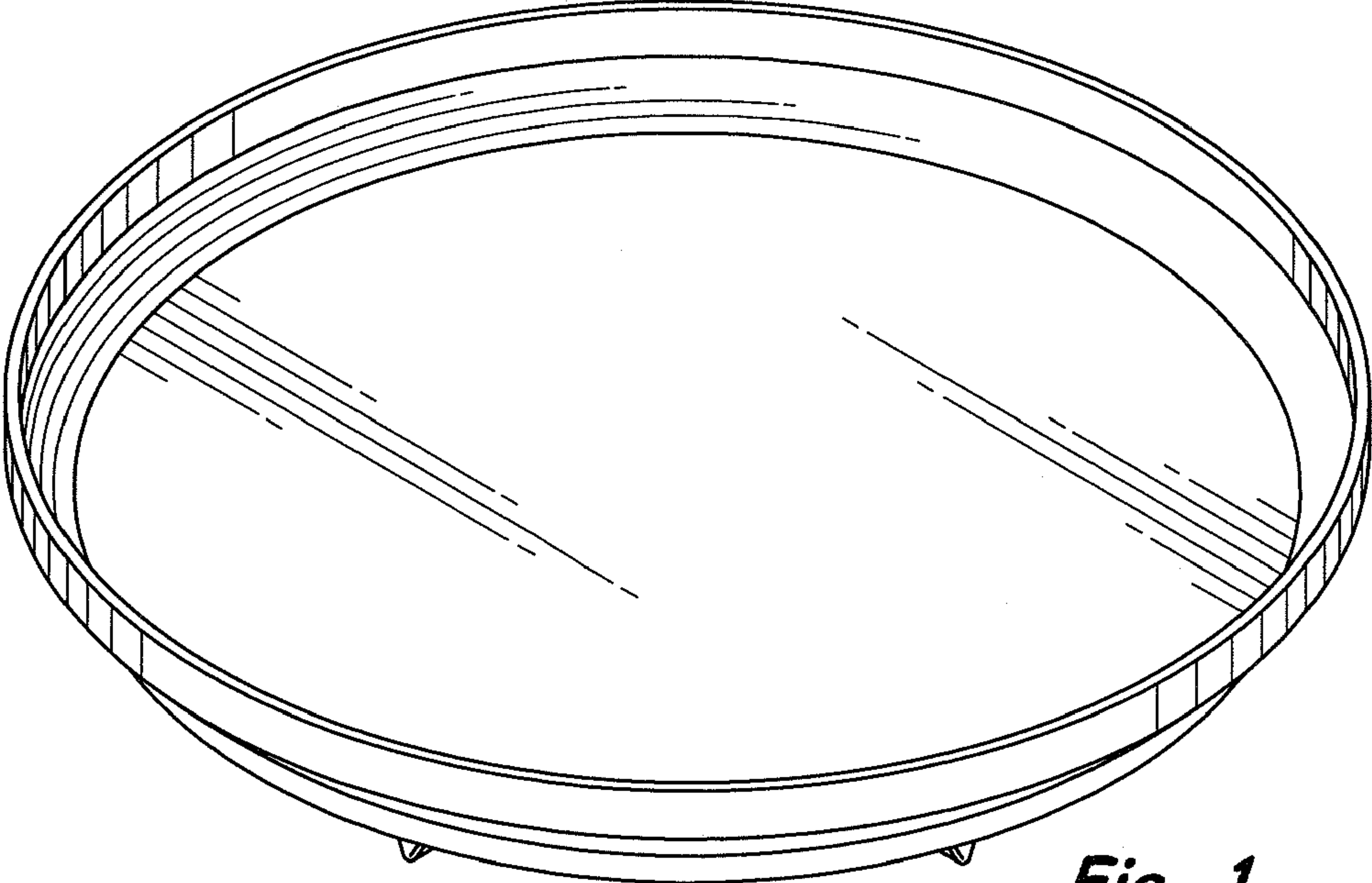


Fig. 1

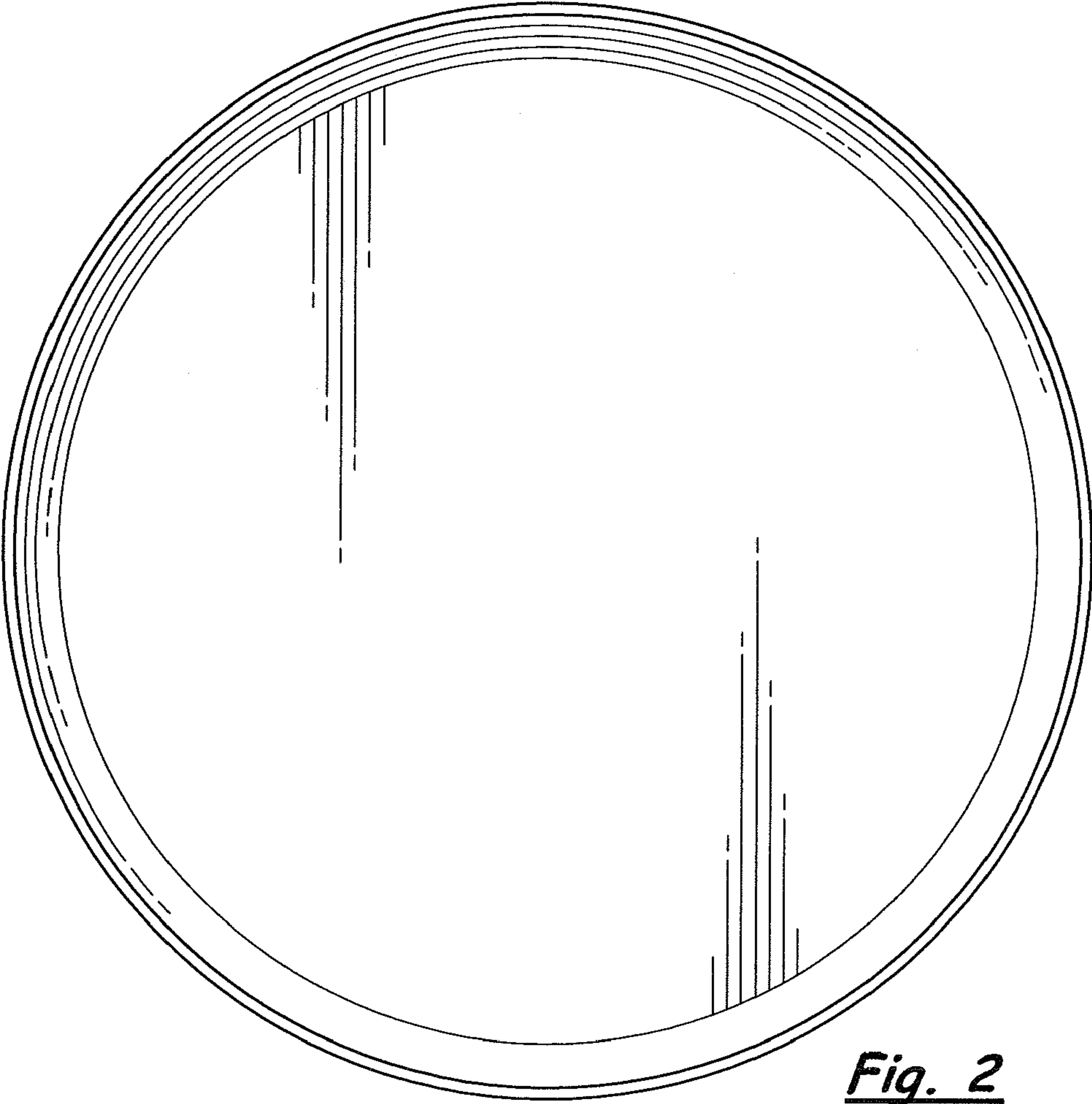


Fig. 2

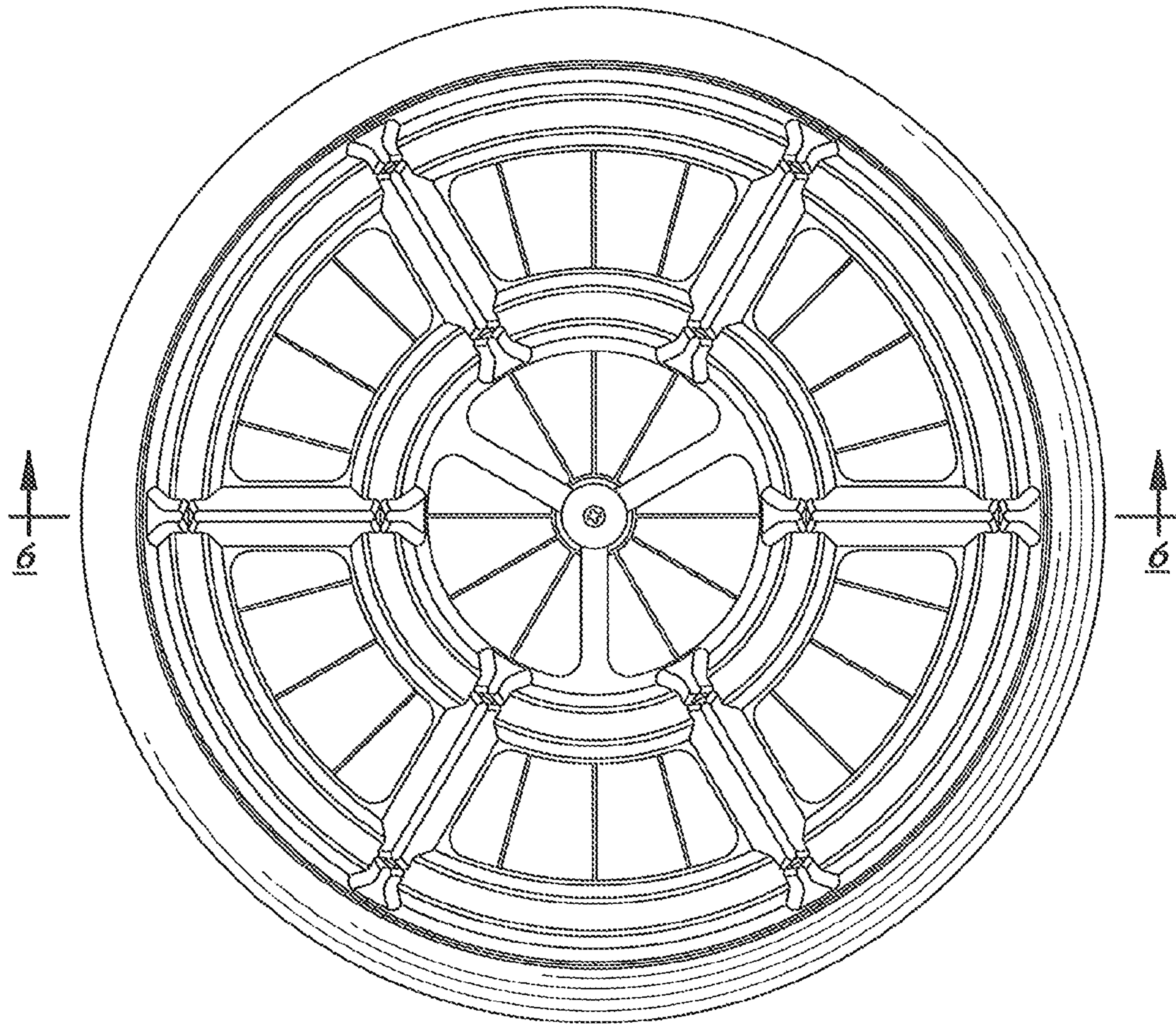


Fig. 3

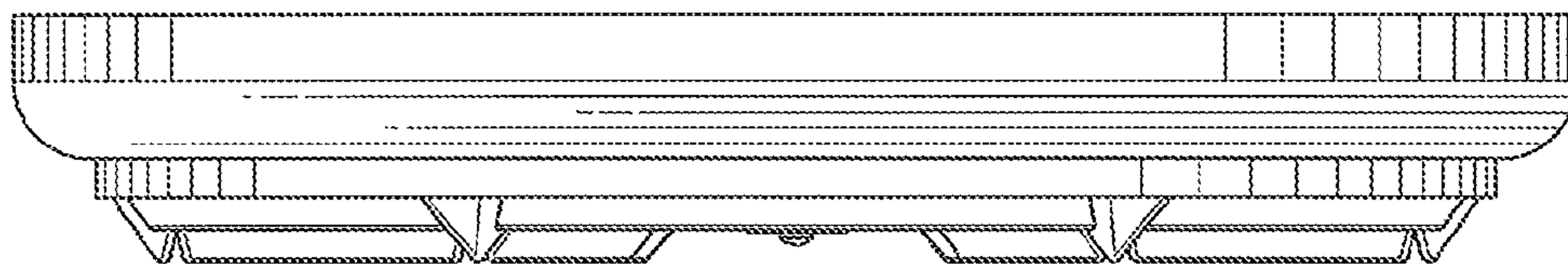


Fig. 4

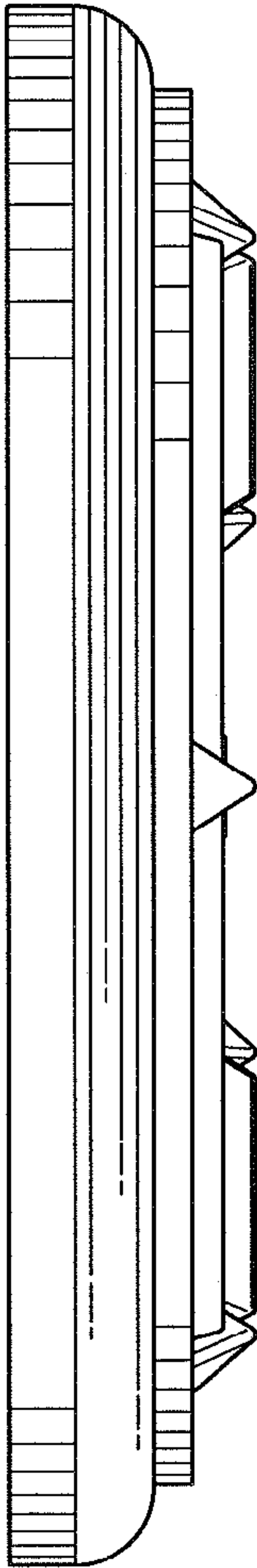


Fig. 5

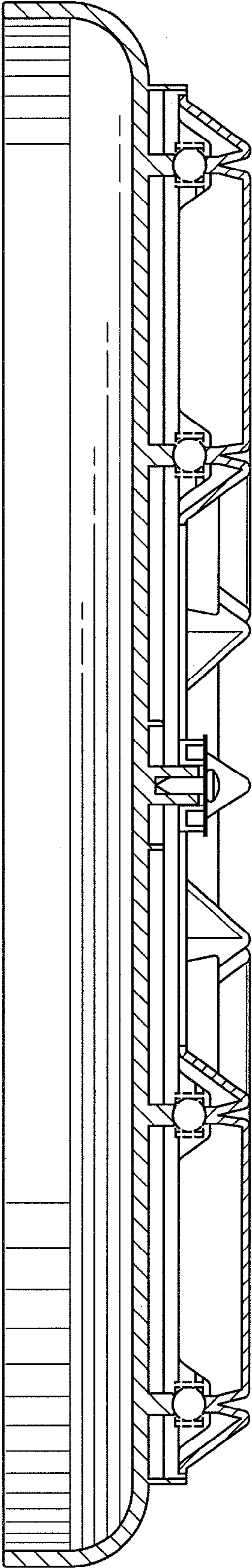


Fig. 6