



US00D632606S

(12) **United States Design Patent**
Jalet

(10) **Patent No.:** **US D632,606 S**

(45) **Date of Patent:** **** Feb. 15, 2011**

(54) **PLANTER**

(75) Inventor: **Vincent Jalet**, Brussels (BE)

(73) Assignee: **Dart Industries Inc.**, Orlando, FL (US)

(**) Term: **14 Years**

(21) Appl. No.: **29/349,335**

(22) Filed: **Mar. 25, 2010**

(51) **LOC (9) Cl.** **11-02**

(52) **U.S. Cl.** **D11/144**

(58) **Field of Classification Search** D6/403–405,
D6/556–558; D8/1; D11/143–156, 164;
D19/77, 80, 81, 84; D26/9–11, 16, 19; D34/1,
D34/2, 4–6; D99/5, 19; 47/32.4, 32.5, 32.7,
47/33, 39, 41.01, 41.1, 41.11–41.15, 44–47,
47/65, 65.5, 65.9, 66.1, 66.2, 66.6, 66.7,
47/67–71

See application file for complete search history.

(56) **References Cited**

U.S. PATENT DOCUMENTS

- D19,690 S * 3/1890 Overton D11/152
- D46,645 S * 11/1914 Traylor D11/152
- 2,072,185 A 3/1937 Schein
- 4,339,891 A 7/1982 Bassett
- D268,337 S * 3/1983 Tenzer et al. D11/152
- D278,989 S * 5/1985 Baumann D11/152
- D302,403 S * 7/1989 Heras et al. D11/143
- 4,965,963 A 10/1990 Lyon
- D324,004 S * 2/1992 Neill D11/144
- D374,109 S 9/1996 Lillelund et al.
- D374,516 S * 10/1996 Lillelund et al. D30/132

- 5,647,170 A 7/1997 Holtkamp, Jr.
- D392,325 S * 3/1998 Cheris et al. D19/77
- 6,023,886 A 2/2000 Momiyama et al.
- 6,370,819 B1 4/2002 Reiss et al.
- D531,930 S * 11/2006 Cabre Roige D11/152
- D566,471 S * 4/2008 Bodum D7/523
- D614,080 S * 4/2010 Woerner D11/152
- 2007/0209279 A1 9/2007 Pasquariello
- 2009/0064576 A1 3/2009 Sugarek

* cited by examiner

Primary Examiner—Garth Rademaker

(74) *Attorney, Agent, or Firm*—John A. Doninger

(57) **CLAIM**

The ornamental design for a planter, as shown and described.

DESCRIPTION

FIG. 1 is a top, left side and front perspective view of a planter showing my new design;

FIG. 2 is a front elevation view, the rear elevation being a mirror image thereof;

FIG. 3 is a right side elevation view thereof;

FIG. 4 is a left side elevation view thereof;

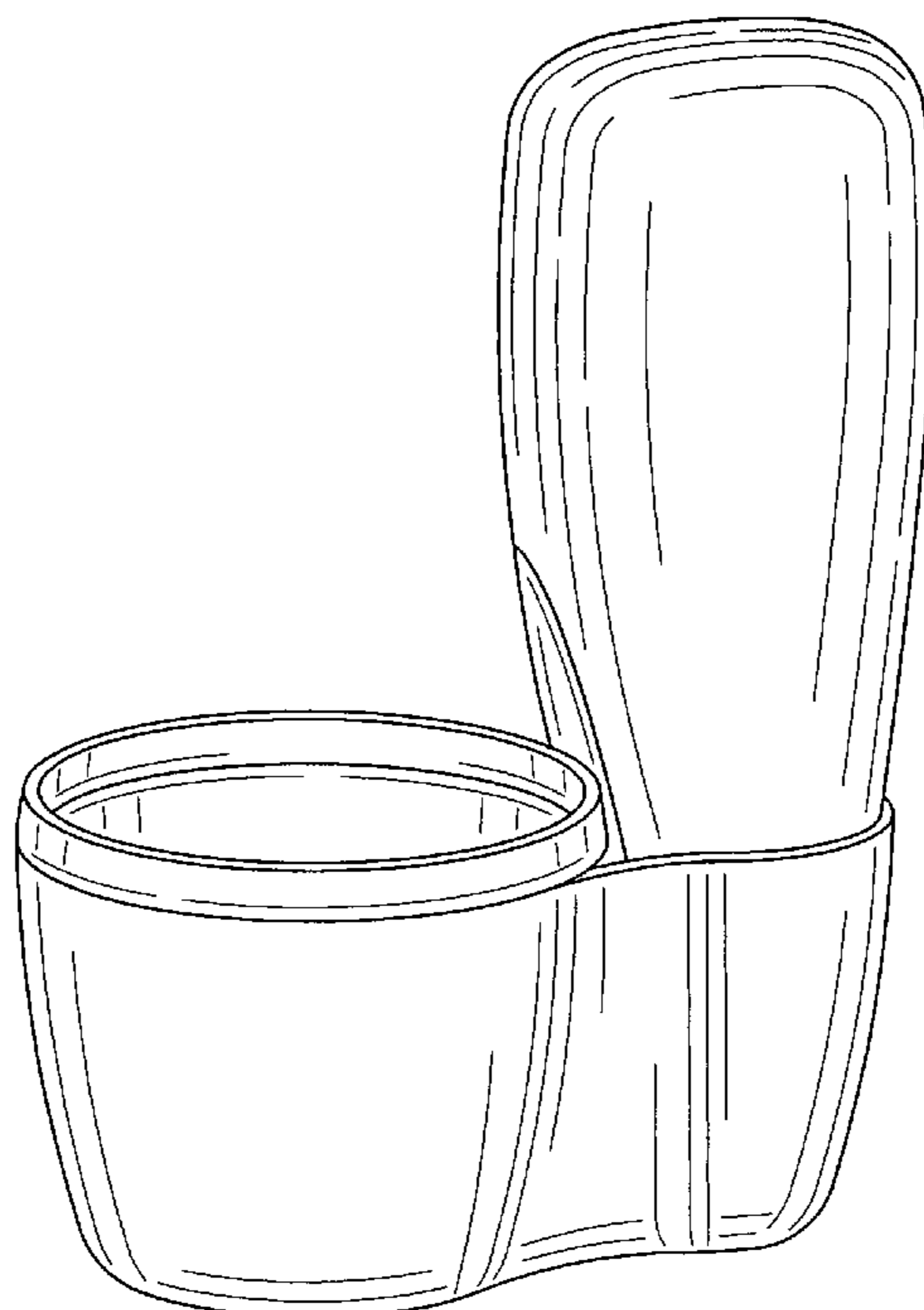
FIG. 5 is a top plan view thereof;

FIG. 6 is a bottom plan view thereof; and,

FIG. 7 is a bottom, left side and front perspective view thereof.

The broken lines depict environmental subject matter only and form no part of the claimed design.

1 Claim, 4 Drawing Sheets



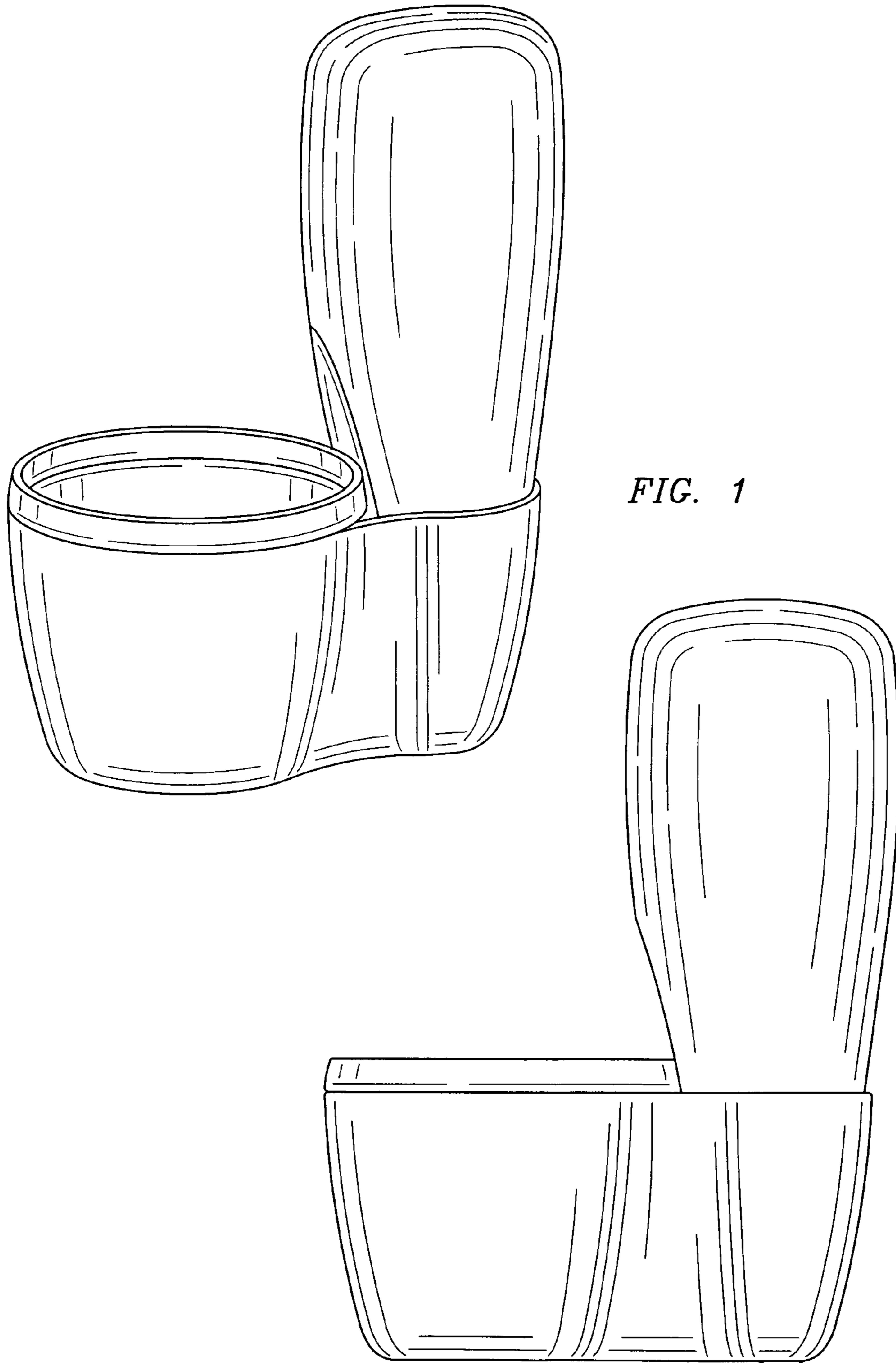


FIG. 1

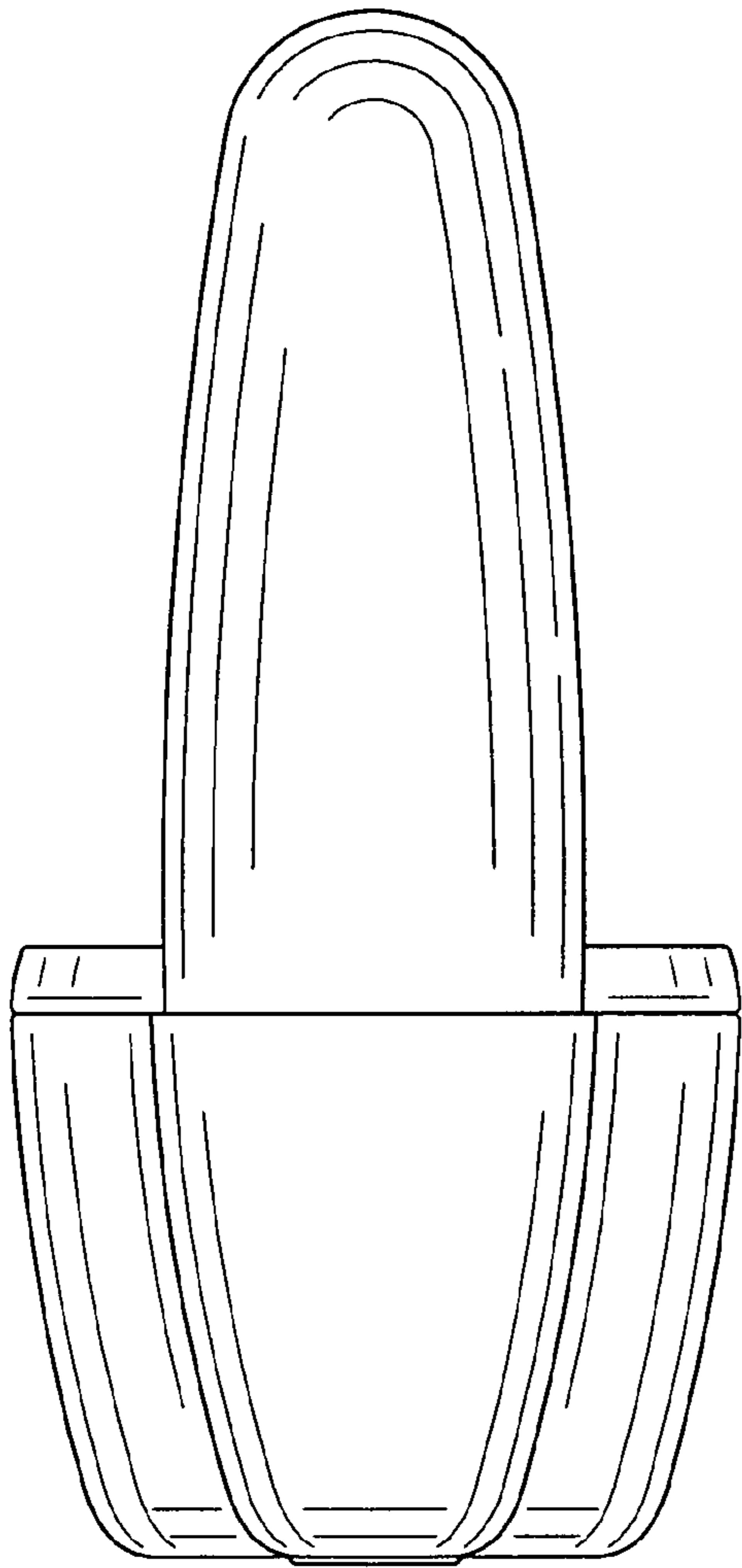


FIG. 3

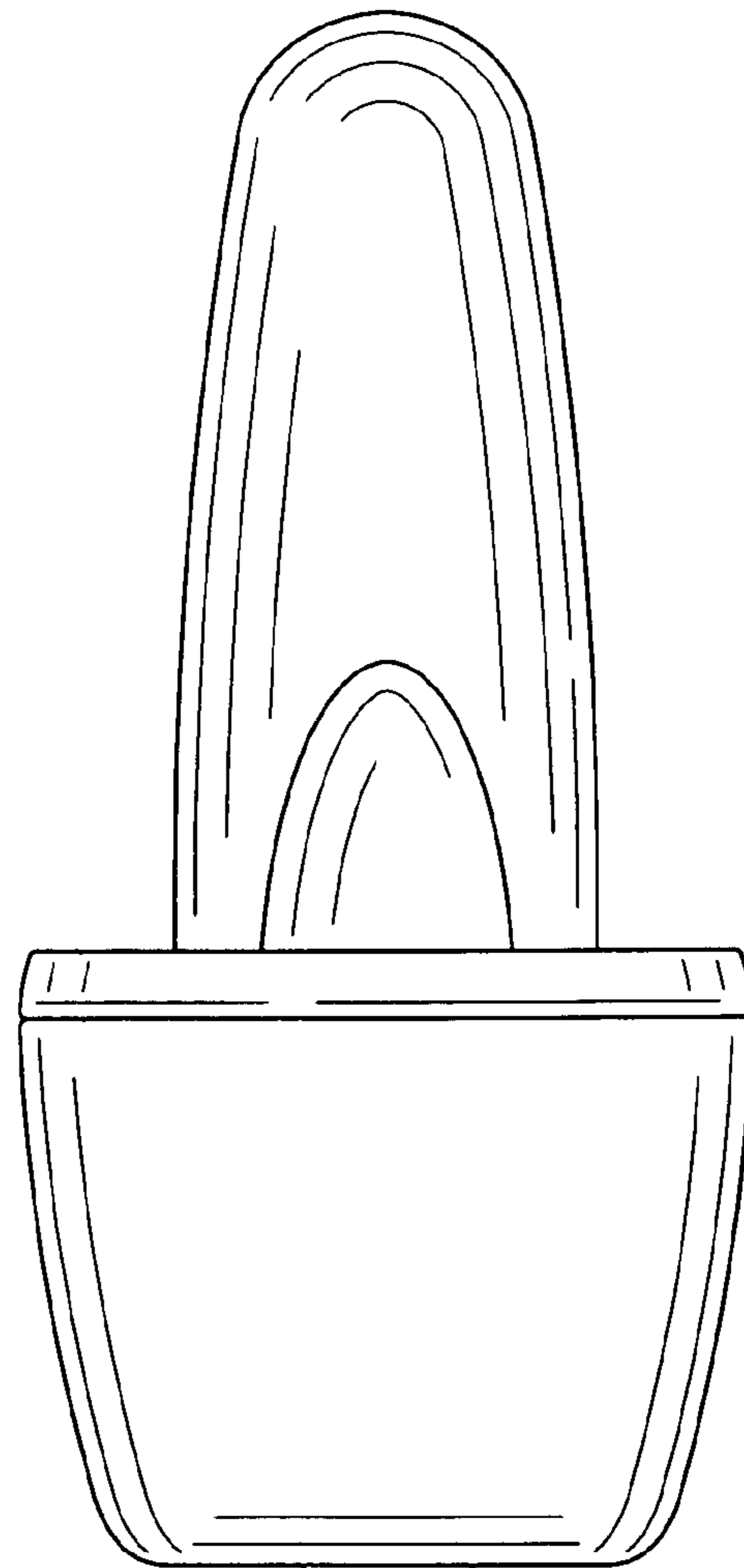


FIG. 4

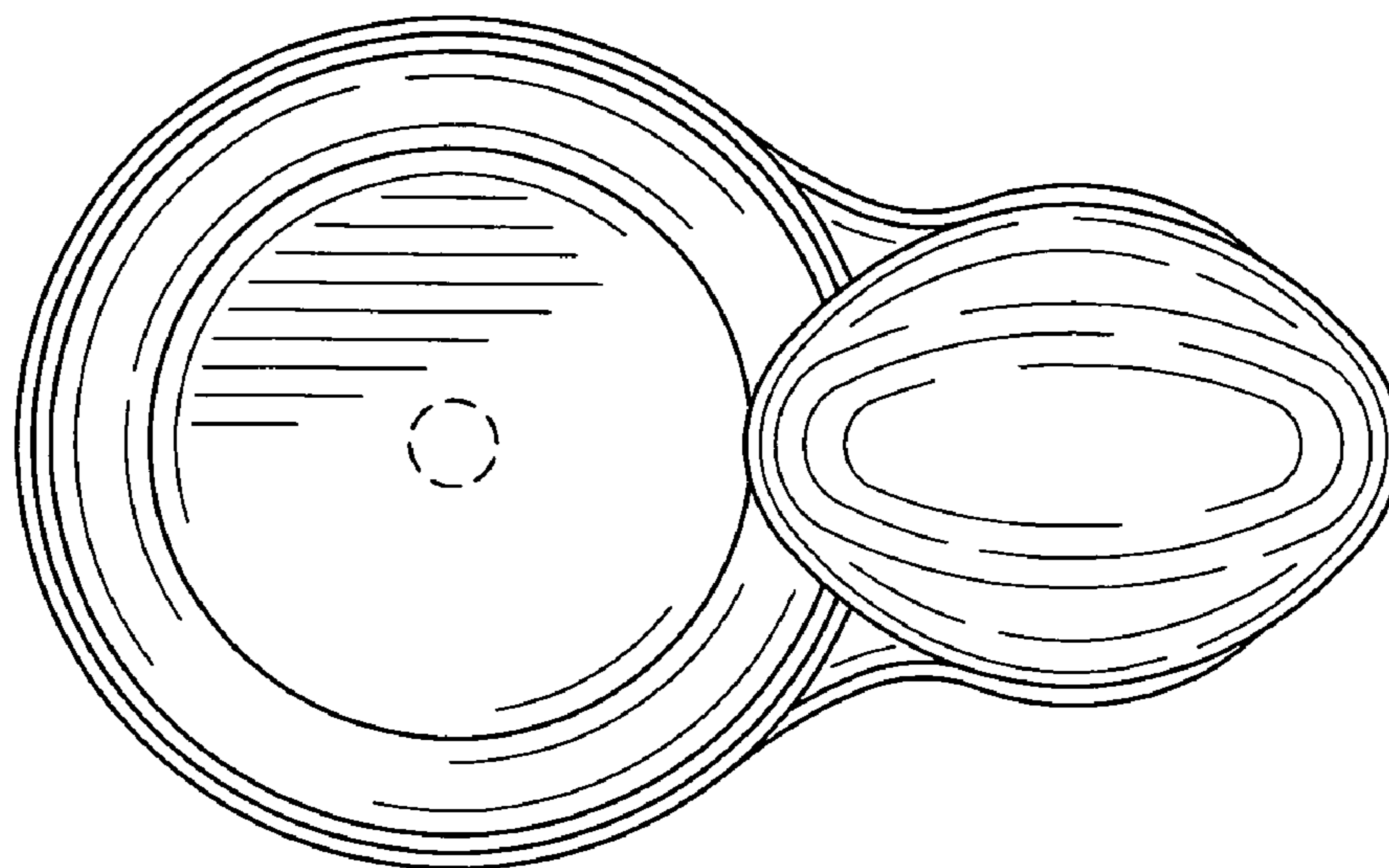


FIG. 5

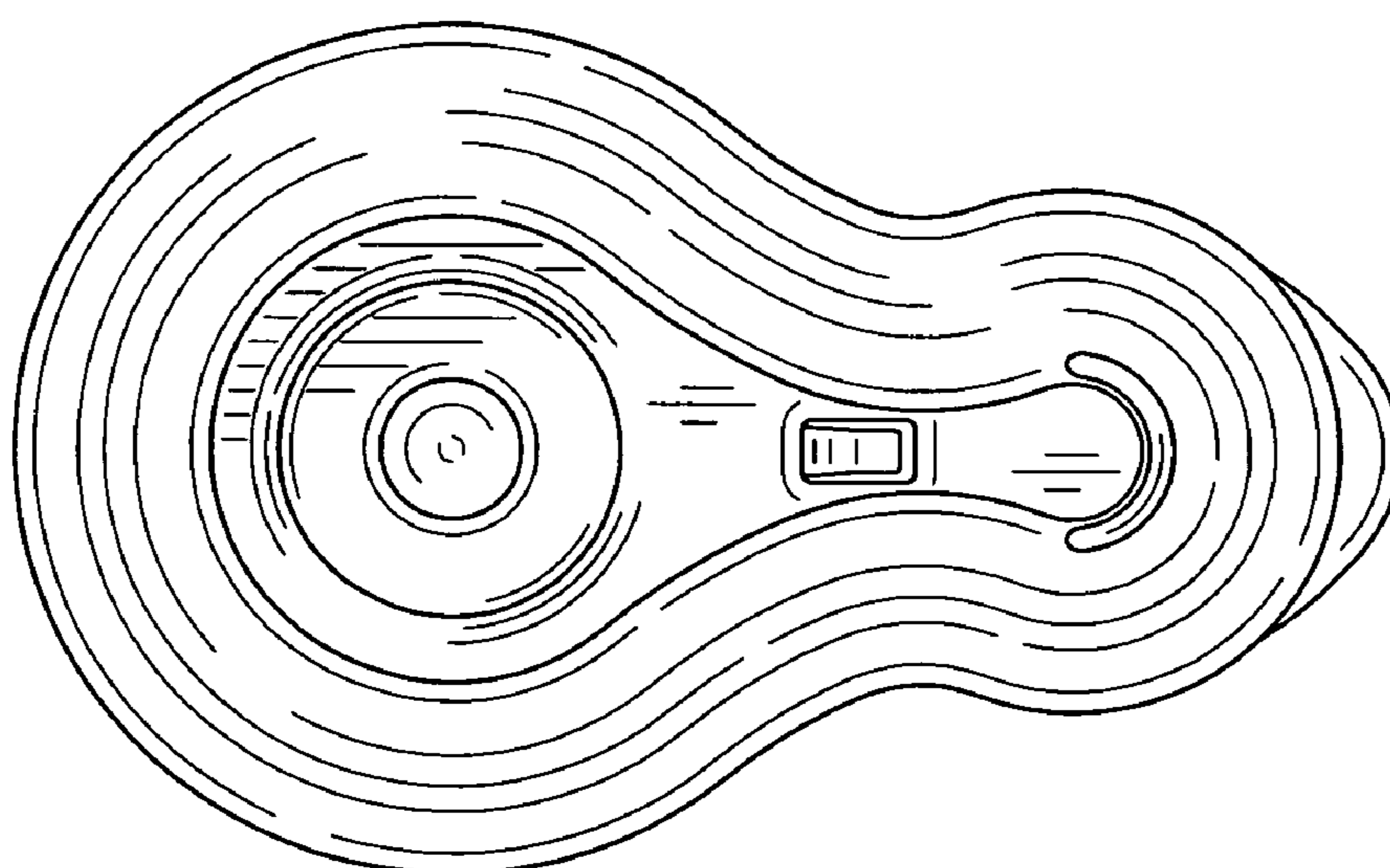


FIG. 6

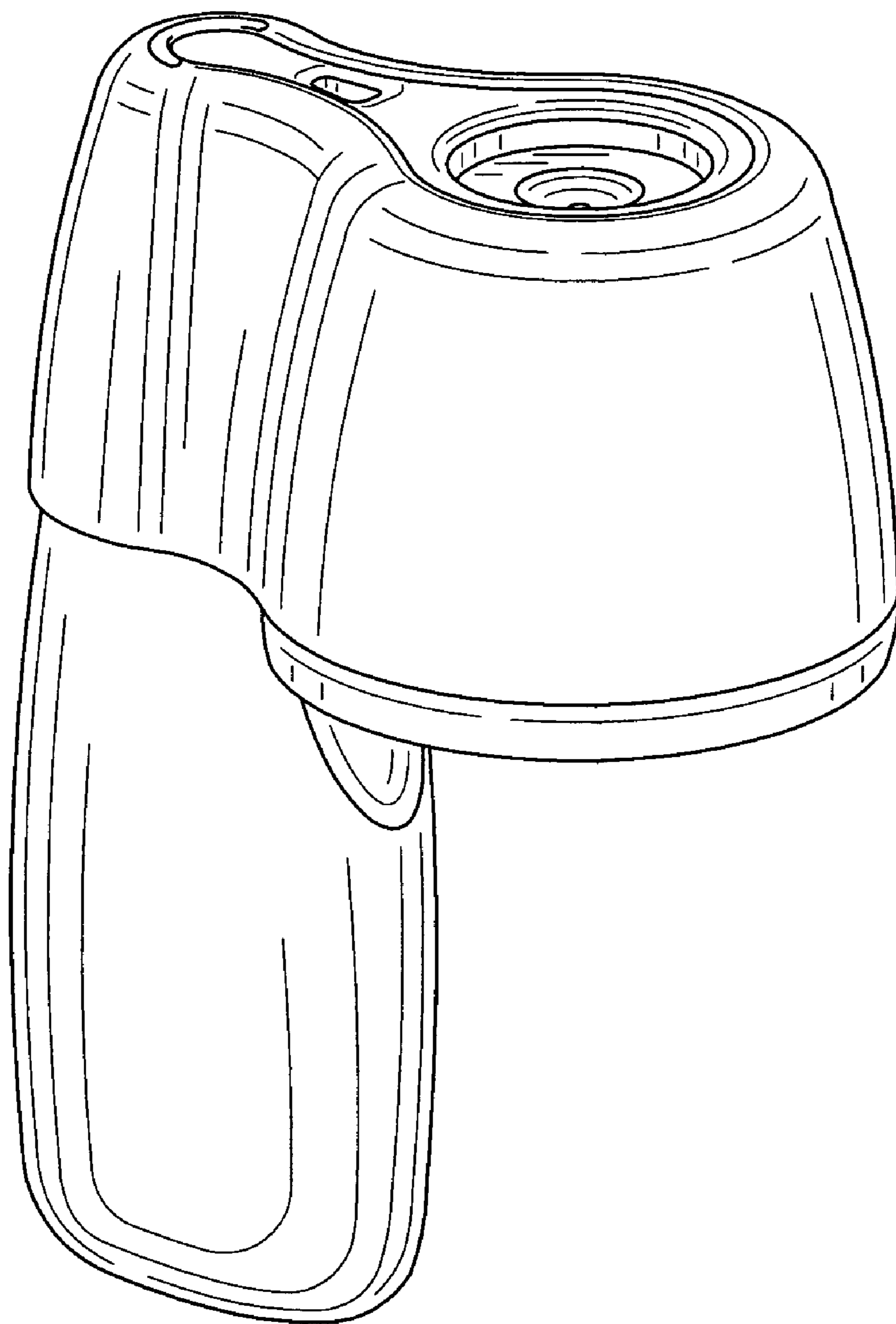


FIG. 7