



US00D632590S

(12) **United States Design Patent**  
**Peacock**

(10) **Patent No.:** **US D632,590 S**

(45) **Date of Patent:** **\*\* Feb. 15, 2011**

(54) **CONTAINER**

(75) Inventor: **April M. Peacock**, York, PA (US)

(73) Assignee: **Graham Packaging Company, L.P.**,  
York, PA (US)

(\*\*) Term: **14 Years**

(21) Appl. No.: **29/360,002**

(22) Filed: **Apr. 19, 2010**

(51) **LOC (9) Cl.** ..... **09-03**

(52) **U.S. Cl.** ..... **D9/773; D9/774**

(58) **Field of Classification Search** ..... D9/763,  
D9/772, 773, 774, 776, 779, 780; 215/385,  
215/392; 220/660, 669-673, 675  
See application file for complete search history.

(56) **References Cited**

**U.S. PATENT DOCUMENTS**

3,685,685	A	8/1972	Phillips	
4,102,467	A	7/1978	Woodley	
4,880,129	A	11/1989	McHenry et al.	
4,890,759	A	1/1990	Scanga et al.	
4,948,006	A	8/1990	Okabe et al.	
5,217,737	A	6/1993	Gygax et al.	
5,234,126	A	8/1993	Jonas et al.	
6,520,362	B2	2/2003	Heisel et al.	
6,612,451	B2	9/2003	Tobias et al.	
D491,288	S *	6/2004	Young	..... D9/558

7,055,713	B2	6/2006	Rea et al.	
D537,366	S *	2/2007	Pedersen	..... D9/776
D542,153	S *	5/2007	Farrow et al.	..... D9/779
D559,120	S *	1/2008	Farrow et al.	..... D9/773
D562,685	S *	2/2008	Millspaw et al.	..... D9/500
D580,790	S *	11/2008	Westphal	..... D9/779
D596,957	S *	7/2009	Diss	..... D9/776
D614,971	S *	5/2010	Millspaw et al.	..... D9/776
D624,438	S *	9/2010	Diss	..... D9/774

\* cited by examiner

*Primary Examiner*—Shanda C Hill

(74) *Attorney, Agent, or Firm*—Knoble Yoshida & Dunleavy, LLC

(57) **CLAIM**

The ornamental design for a “container,” as shown and described.

**DESCRIPTION**

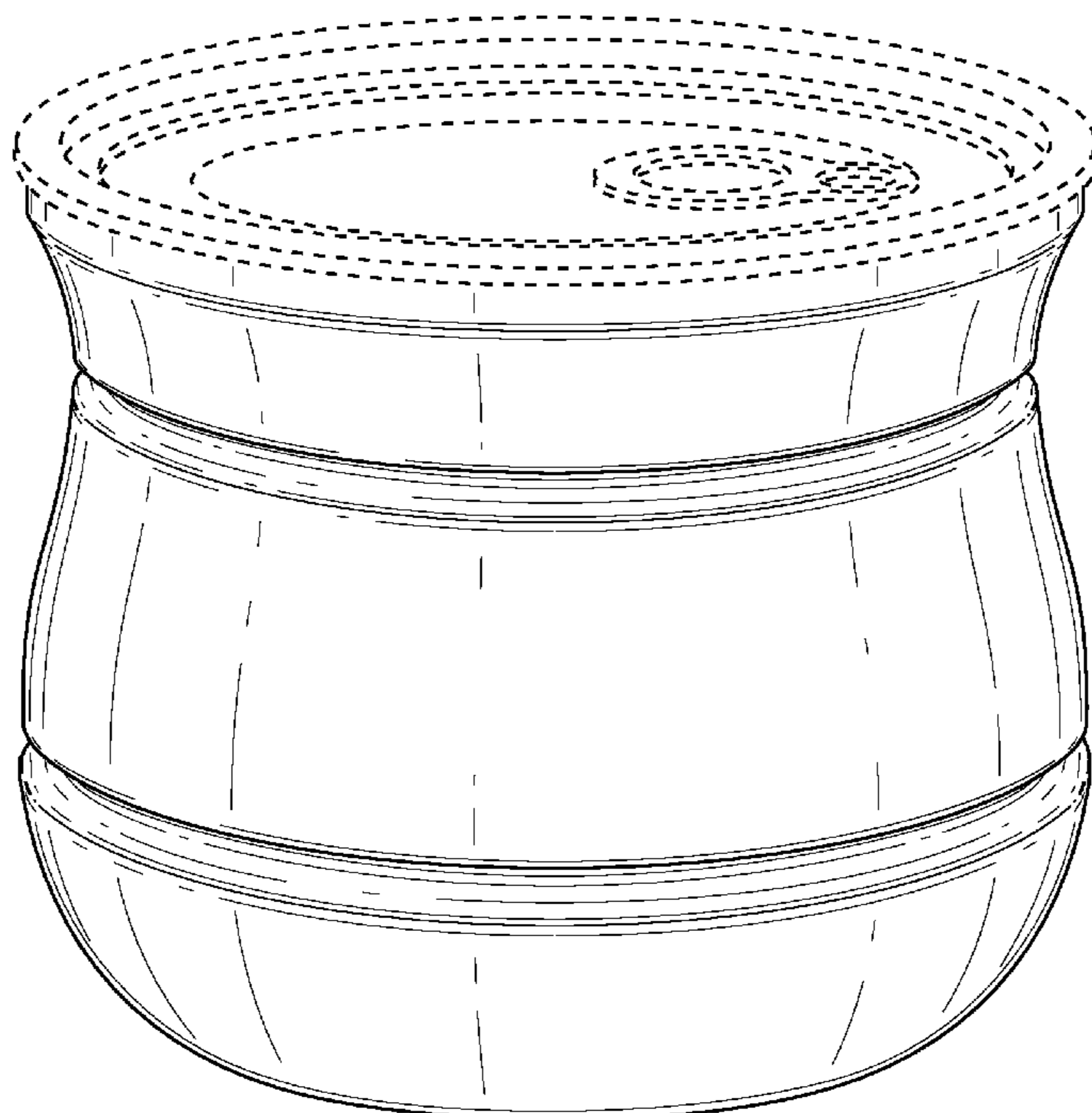
FIG. 1 is a perspective view of a container showing my new design;

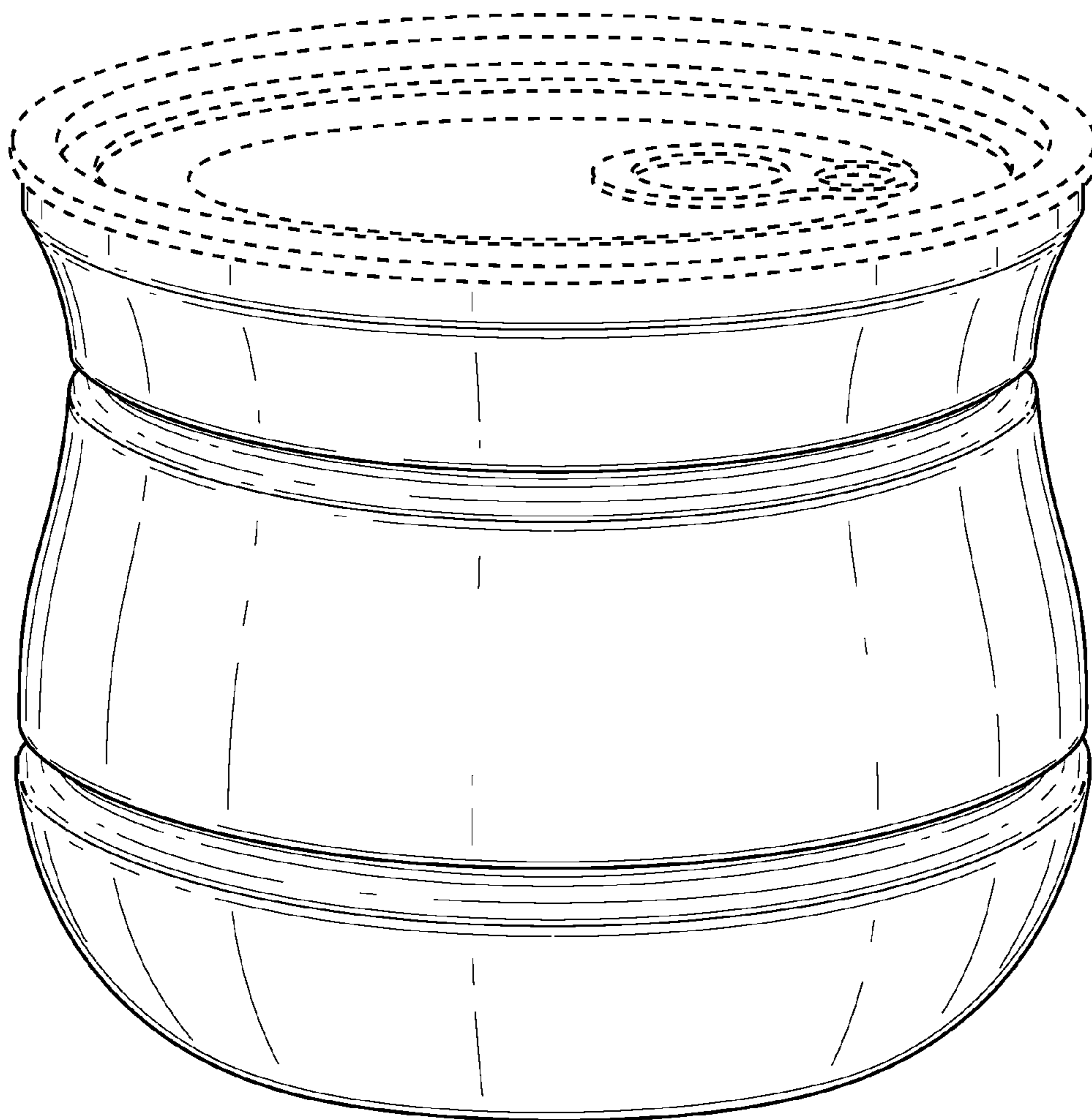
FIG. 2 is a front elevational view thereof, the rear, side and opposite side elevational views being the same; and,

FIG. 3 is a top plan thereof.

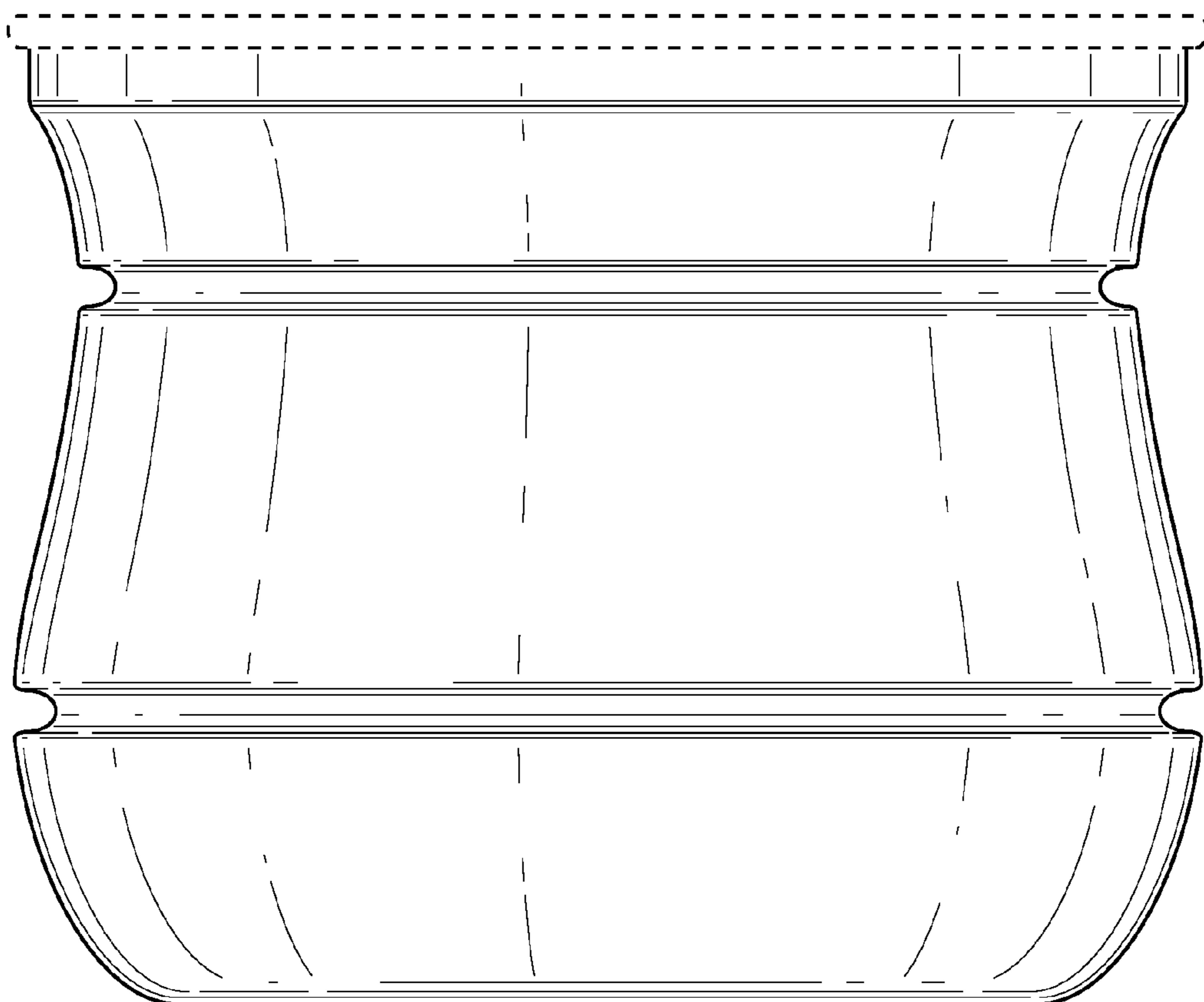
The broken lines shown in the drawing disclosure are for illustrative purposes only and form no part of the claimed design.

**1 Claim, 3 Drawing Sheets**

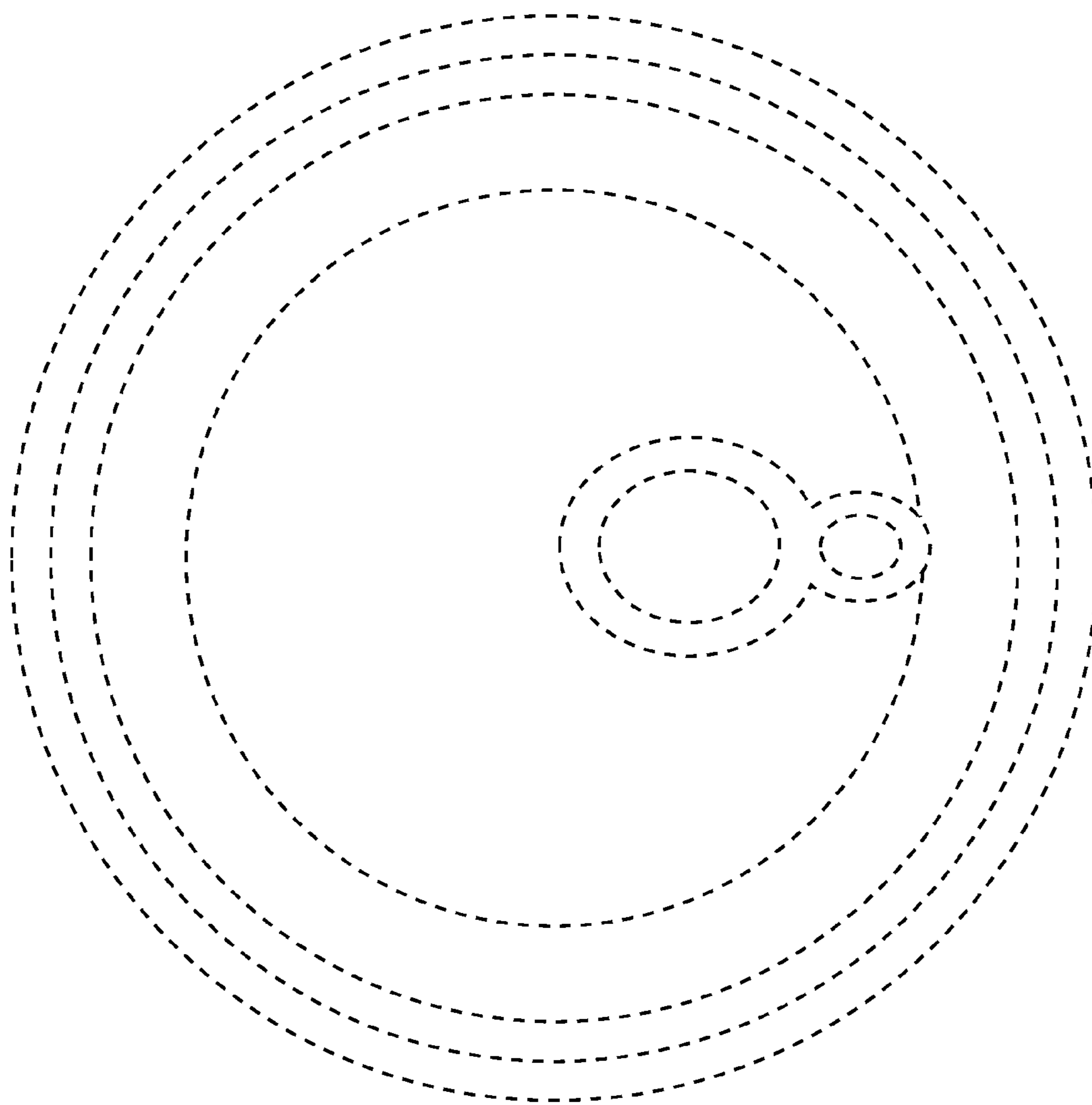




**FIG. 1**



**FIG. 2**



**FIG. 3**