

US00D632581S

(12) **United States Design Patent**  
**Kuzma et al.**

(10) **Patent No.:** **US D632,581 S**  
(45) **Date of Patent:** **\*\* Feb. 15, 2011**

(54) **BOTTLE**

(75) Inventors: **Gene J. Kuzma**, Powell, OH (US);  
**Tristan O. Herstol**, Dublin, OH (US)

(73) Assignee: **GK Packaging, Inc.**, Plain City, OH  
(US)

(\*\*) Term: **14 Years**

(21) Appl. No.: **29/345,345**

(22) Filed: **Oct. 14, 2009**

(51) **LOC (9) Cl.** ..... **09-01**

(52) **U.S. Cl.** ..... **D9/558; D9/573**

(58) **Field of Classification Search** ..... D9/434,  
D9/516, 520, 545, 549, 550, 558, 572, 573,  
D9/574; 215/379, 381-385; 220/600, 604,  
220/608, 609, 610, 660, 669, 670, 674, 675  
See application file for complete search history.

(56) **References Cited**

**U.S. PATENT DOCUMENTS**

D21,382 S	3/1892	Hannold	
544,791 A *	8/1895	Nicholson et al. ....	220/592.12
D28,182 S	1/1898	Whitall	
D37,819 S	2/1906	Bradley	
882,864 A	3/1908	Burke	
D52,472 S	9/1918	Corey	
D94,189 S	1/1935	Cassedy	
D97,176 S	10/1935	Clevenger	
D97,178 S	10/1935	Clevenger	
D101,919 S	11/1936	Leech	
D104,546 S	5/1937	Topping	
D106,370 S	10/1937	Pancoast	
D106,628 S	10/1937	Leach, Jr.	
D143,421 S	1/1946	Gasner	
2,586,687 A	2/1952	Mellon	
D176,226 S	11/1955	Morris	
D189,460 S	12/1960	Richter	
D192,535 S	4/1962	Laudano	
D193,311 S	7/1962	Buckley	
D195,230 S	5/1963	Dubbs	
D196,990 S	11/1963	Dubbs	

D198,405 S	6/1964	Racknagel	
D198,407 S	6/1964	Busch	
D201,997 S	8/1965	Ludetke	
D204,707 S	5/1966	Abbott	
3,342,379 A	9/1967	Foley	
D209,097 S	10/1967	Stehl	
D211,509 S	6/1968	Vanderhyde	
D213,355 S	2/1969	Kneapler	
D213,421 S	3/1969	Leary	
D214,554 S	7/1969	Ottman	
3,474,927 A *	10/1969	Bowles .....	215/383
D217,439 S	5/1970	Platte	
D219,366 S	12/1970	Lewis, Jr. et al.	
D222,530 S	11/1971	Luedtke	
D225,834 S	1/1973	Kneapler	
3,732,999 A *	5/1973	Roukles .....	215/6
D227,344 S	6/1973	Lerner	
D234,682 S	4/1975	Quintal	

(Continued)

*Primary Examiner*—Stella M Reid  
*Assistant Examiner*—Elizabeth J Oswecki  
(74) *Attorney, Agent, or Firm*—Gallagher & Dawsey Co.,  
LPA; Michael J. Gallagher; David J. Dawsey

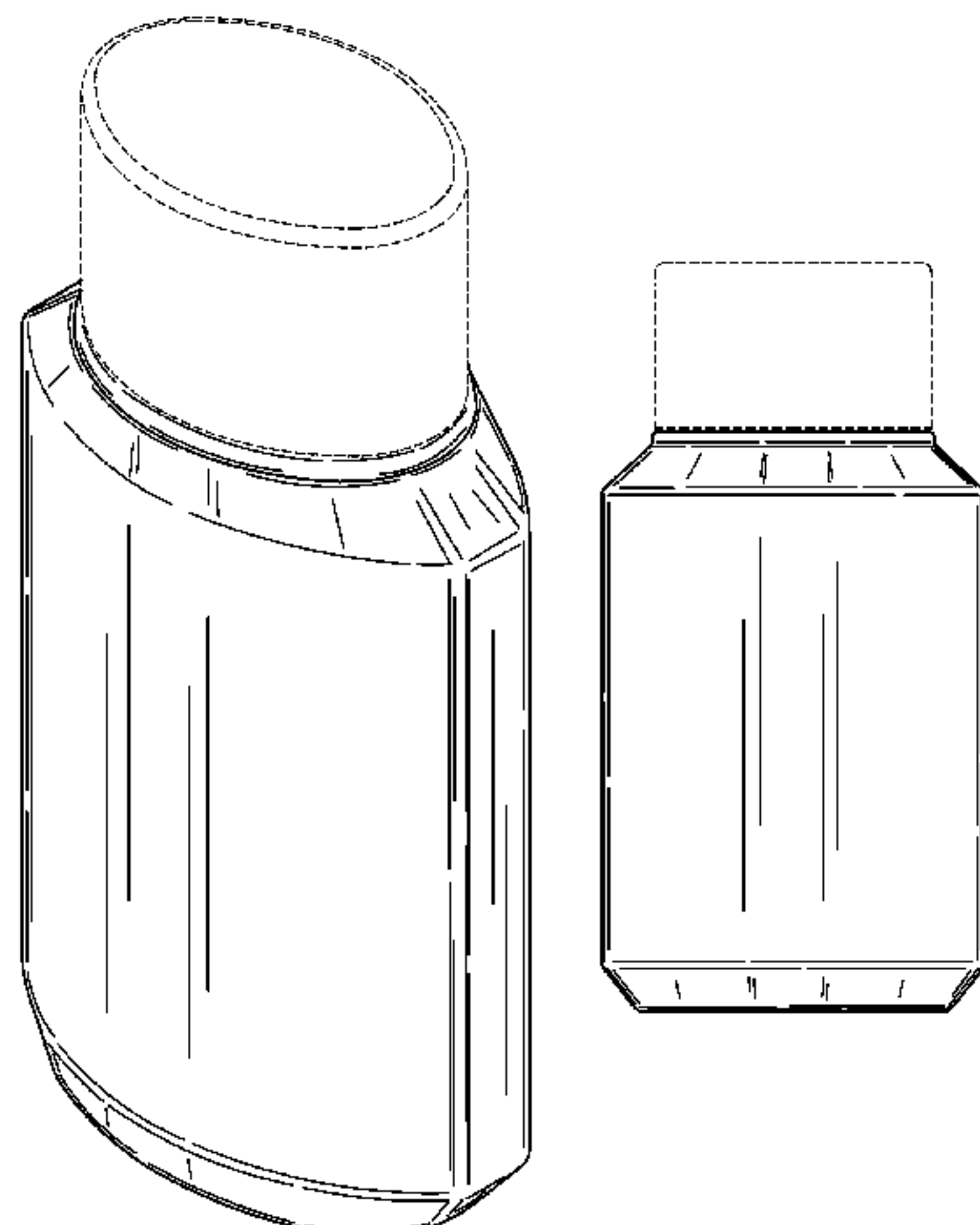
(57) **CLAIM**

We claim the ornamental design for a bottle, as shown and described.

**DESCRIPTION**

FIG. 1 is a perspective view of a bottle showing our new design;  
FIG. 2 is a front elevation view thereof;  
FIG. 3 is a rear elevation view thereof;  
FIG. 4 is a left side elevation view thereof;  
FIG. 5 is a right side elevation view thereof;  
FIG. 6 is a top plan view thereof; and,  
FIG. 7 is a bottom plan view thereof.  
The broken lines are for illustrative purposes only and form no part of the claimed design.

**1 Claim, 4 Drawing Sheets**



# US D632,581 S

Page 2

U.S. PATENT DOCUMENTS					
3,874,562 A	4/1975	Hazard	D393,596 S	4/1998	Kotyuk
D238,555 S	1/1976	Blank	D395,396 S *	6/1998	Kuzma et al. .... D9/542
D239,698 S *	4/1976	Utley .....	D396,191 S	7/1998	Kuzma et al.
D246,953 S	1/1978	Britt	5,785,178 A *	7/1998	Kvitrud et al. .... 206/459.1
D247,221 S	2/1978	Landor et al.	D397,608 S	9/1998	Fiore
D248,088 S	6/1978	Britt	D398,239 S	9/1998	Bertolini et al.
D249,464 S *	9/1978	Smali .....	D398,244 S	9/1998	Bertolini et al.
D254,651 S	4/1980	Shortino	D398,853 S	9/1998	Phillips
D254,652 S	4/1980	Shortino	5,816,451 A	10/1998	Renault
D254,711 S	4/1980	Shortino	D403,592 S	1/1999	Everard et al.
D254,713 S	4/1980	Shortino	D405,015 S *	2/1999	Kotyuk .....
D254,773 S *	4/1980	Kretz .....	D408,740 S	4/1999	Jones et al.
D255,543 S	6/1980	Shortino	D409,092 S	5/1999	Beasley
D255,652 S	7/1980	Kretz	D411,804 S	7/1999	Zaragoza
D256,555 S	8/1980	Beeman	D412,851 S	8/1999	Nosella
D257,504 S	11/1980	Weckman	D413,807 S	9/1999	Mikla
D258,117 S	2/1981	Bashour	5,954,213 A	9/1999	Gerhart et al.
D259,542 S	6/1981	Shortino	D415,037 S	10/1999	Pritchard et al.
D261,107 S	10/1981	Harris	D417,624 S	12/1999	Herrmann et al.
D263,281 S	3/1982	Smith	D419,889 S	2/2000	Kuzma et al.
D266,990 S	11/1982	Cook	D422,506 S	4/2000	Cummings
D268,647 S	4/1983	Kingsford	D423,370 S	4/2000	Lewin
D268,907 S *	5/1983	Sledge .....	D424,448 S	5/2000	Weber
D273,564 S	4/1984	Spielhoff	D425,408 S	5/2000	Bakic
D281,863 S	12/1985	Beechuk et al.	D425,429 S	5/2000	Weber
D282,052 S *	1/1986	Beaver et al. ....	D427,073 S	6/2000	Gaffney
D282,443 S *	2/1986	Beaver et al. ....	6,077,579 A *	6/2000	De Laforcade .....
D288,905 S	3/1987	Platte, Sr.	D428,343 S	7/2000	Waitzenegger
D306,695 S	3/1990	Smith	D428,578 S	7/2000	Waitzenegger
D308,337 S	6/1990	Weckman	D429,629 S *	8/2000	Kuzma et al. .... D9/682
D309,714 S *	8/1990	Biesecker .....	D429,649 S	8/2000	Kotyuk
D310,329 S	9/1990	Schmidt	D432,920 S	10/2000	Johnson et al.
D312,779 S	12/1990	Taconelli	D433,637 S	11/2000	Hailey et al.
D317,259 S	6/1991	Schmidt	D433,947 S	11/2000	Ewing, Jr.
D321,131 S	10/1991	Wiseman et al.	D437,559 S	2/2001	Fenton et al.
D322,937 S	1/1992	Dinand	D437,775 S	2/2001	Dalmau
D324,820 S	3/1992	Hayman et al.	D438,118 S	2/2001	Dalmau
D324,998 S	3/1992	Klapwald	D439,518 S	3/2001	Gavin
D336,246 S	6/1993	Narvaez	D439,843 S	4/2001	Dalmau
D336,733 S *	6/1993	Hadtko .....	D441,293 S	5/2001	Togasawa
D346,964 S	5/1994	Green	D444,389 S	7/2001	Bakic
D347,388 S	5/1994	Crawford	D444,390 S	7/2001	Kokenge et al.
D347,389 S	5/1994	Crawford	D446,459 S	8/2001	Weber
D347,794 S	6/1994	Lewis	D447,694 S	9/2001	Leggett
D348,388 S *	7/1994	Kuzma .....	D448,678 S	10/2001	Bakic
D349,857 S	8/1994	Lonczak et al.	D448,999 S	10/2001	Weber
D350,691 S	9/1994	Simion	D450,597 S	11/2001	Bobchenok et al.
D352,462 S	11/1994	Rupert	6,321,923 B1	11/2001	Wood
D353,775 S	12/1994	Thompson	D452,157 S	12/2001	White et al.
5,392,937 A	2/1995	Prevot et al.	D452,446 S	12/2001	Shear
D356,038 S	3/1995	Biesecker	D455,648 S	4/2002	Cummings
D357,418 S	4/1995	Lonczak et al.	D455,655 S	4/2002	Bunce
D360,831 S	8/1995	Boisset	D457,069 S	5/2002	Palaia
D368,859 S	4/1996	LoPreto	D458,149 S	6/2002	Cummings
D369,980 S	5/1996	Dinand	D458,847 S	6/2002	Kuzma et al.
D372,675 S *	8/1996	Pollard et al. ....	D459,212 S	6/2002	Gobe
D372,873 S	8/1996	Lathrop	D459,659 S	7/2002	Chung
5,542,585 A	8/1996	Peters et al.	D459,996 S	7/2002	Kuzma et al.
D373,536 S	9/1996	Kokenge et al.	D463,474 S	9/2002	Kawashima
D375,051 S	10/1996	Lathrop et al.	D468,643 S	1/2003	Kuzma et al.
D376,310 S	12/1996	Crawford	D468,644 S	1/2003	Kuzma et al.
D376,762 S *	12/1996	Fenton et al. ....	D469,022 S	1/2003	Kuzma et al.
5,598,941 A	2/1997	Semersky et al.	D469,214 S	1/2003	Balko
D378,665 S	4/1997	Fenton et al.	D470,772 S	2/2003	Egger
D381,895 S	8/1997	Cheng	D471,111 S	3/2003	Weaver et al.
D382,209 S	8/1997	Fenton et al.	D471,461 S	3/2003	McGowan
D382,808 S *	8/1997	Fenton et al. ....	D472,154 S	3/2003	Peon et al.
D386,090 S	11/1997	Giovellina	D475,298 S	6/2003	Corrigan et al.
D392,895 S	3/1998	Kuzma et al.	D480,002 S	9/2003	Canepa
D392,897 S	3/1998	Biesecker et al.	D481,950 S	11/2003	Bakic
D393,202 S	4/1998	Bertolini et al.	D486,065 S	2/2004	Hutchinson et al.
			D489,267 S	5/2004	Rennie et al.
			D496,283 S	9/2004	Busa, Jr.



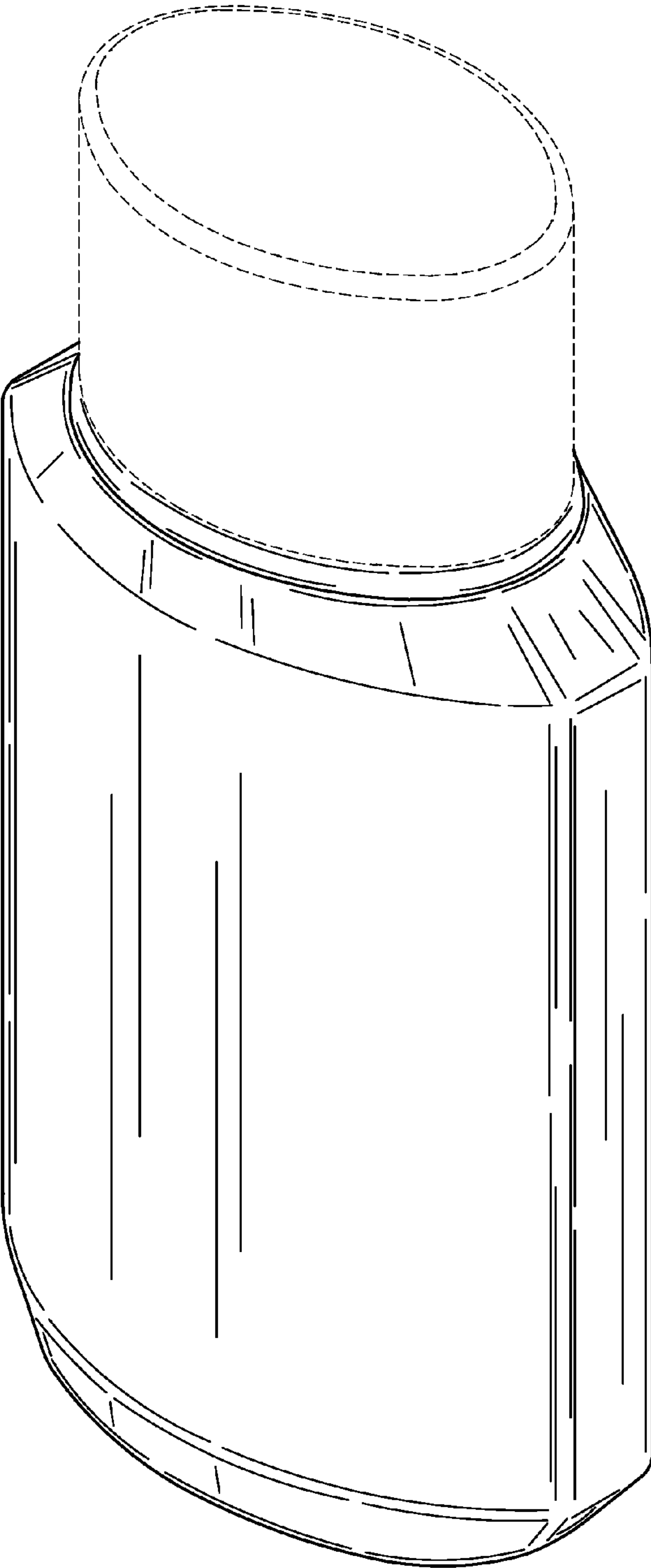
# US D632,581 S

Page 3

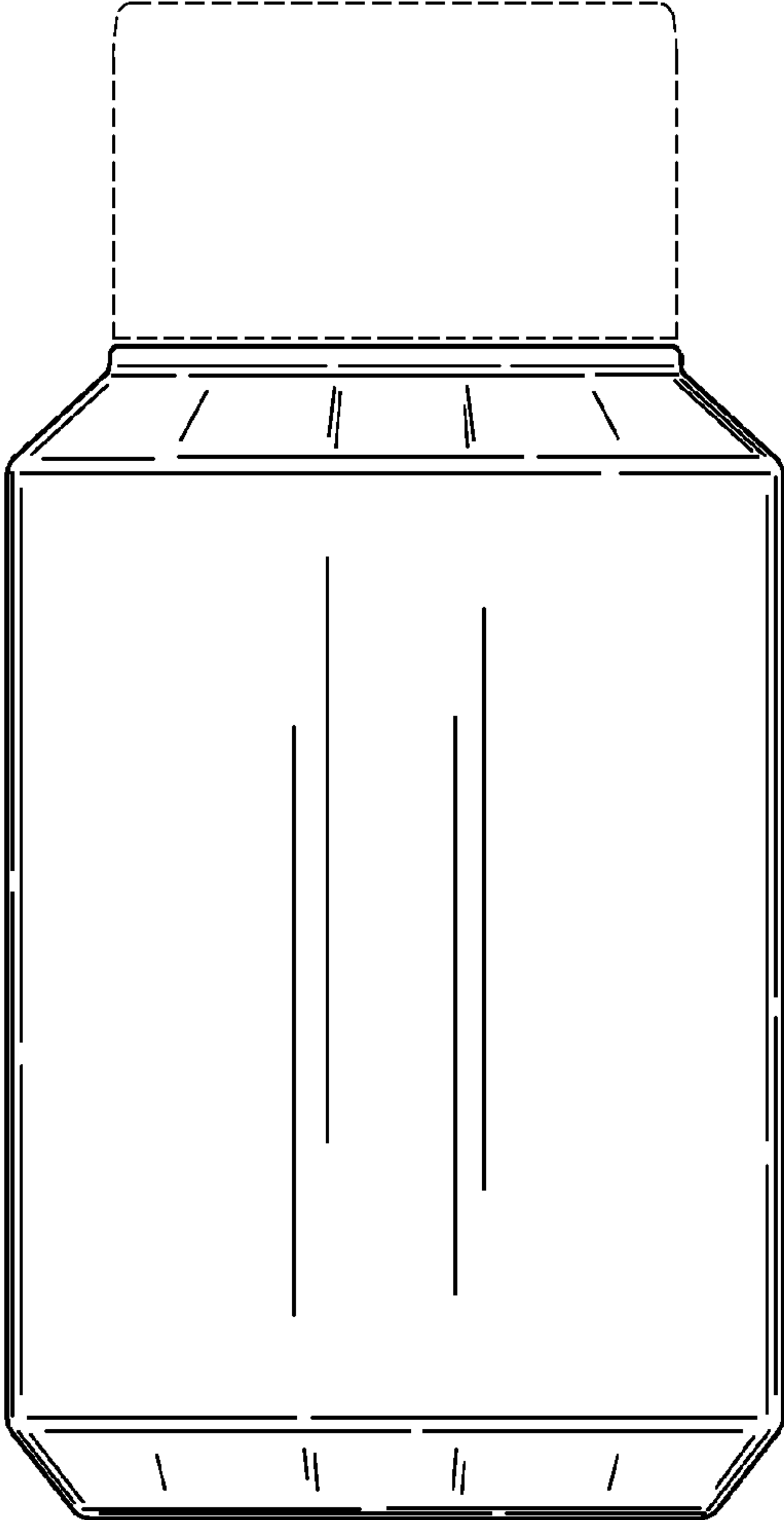
---

D496,867 S	10/2004	Kuzma et al.	D538,678 S	3/2007	Cummings et al.
D497,312 S	10/2004	Anderson et al.	D540,185 S	4/2007	Cummings et al.
D498,670 S	11/2004	Cummings et al.	D541,162 S	4/2007	Pleines et al.
D500,954 S	1/2005	Kuzma et al.	D541,664 S *	5/2007	Galdini ..... D9/574
D501,141 S	1/2005	Bakic	D542,661 S	5/2007	Adler et al.
D502,400 S	3/2005	Cinquino et al.	D547,190 S	7/2007	Kuzma et al.
D505,079 S	5/2005	Mulder et al.	D551,555 S	9/2007	Escobosa et al.
D509,148 S	9/2005	Wilson et al.	D553,001 S	10/2007	Granitz
D510,030 S	9/2005	Storz et al.	D555,498 S *	11/2007	Bansal et al. .... D9/558
6,964,345 B2 *	11/2005	Wetherell et al. .... 215/10	D556,056 S	11/2007	Thomas et al.
D513,993 S	1/2006	Boyd	D558,575 S	1/2008	Van Der Krogt et al.
D514,448 S	2/2006	Kuzma et al.	D558,580 S	1/2008	Kuzma et al.
6,997,337 B1 *	2/2006	Wurster ..... 215/382	D559,114 S	1/2008	Breitlander
D521,386 S	5/2006	Priestman	D562,139 S	2/2008	Crabtree et al.
D522,867 S	6/2006	Bakic	D562,140 S	2/2008	Crabtree et al.
D523,756 S *	6/2006	Considine et al. .... D9/573	D563,793 S	3/2008	Nomoto
D524,657 S	7/2006	Harris et al.	D567,664 S	4/2008	Rica
D525,872 S	8/2006	Haubert et al.	D569,730 S	5/2008	Crabtree et al.
D525,873 S	8/2006	Haubert et al.	D578,395 S	10/2008	Kuzma et al.
D526,200 S	8/2006	Bakic	D578,406 S	10/2008	Kuzma et al.
D526,204 S	8/2006	Stolle	D581,276 S	11/2008	Kuzma et al.
D527,636 S	9/2006	Bakic	D585,750 S	2/2009	Kuzma et al.
D529,388 S	10/2006	Bakic	D606,865 S *	12/2009	Huntington et al. .... D9/516
D529,393 S *	10/2006	Bakic ..... D9/574	D615,415 S *	5/2010	Holmes et al. .... D9/541
D529,810 S	10/2006	Davies et al.	D619,471 S *	7/2010	Graunstadt et al. .... D9/556
D535,887 S	1/2007	Haubert, III et al.	2004/0206718 A1 *	10/2004	Wetherell et al. .... 215/10
D535,888 S	1/2007	Kuzma et al.	2008/0314859 A1 *	12/2008	Rim et al. .... 215/316
D535,891 S	1/2007	Varlet			

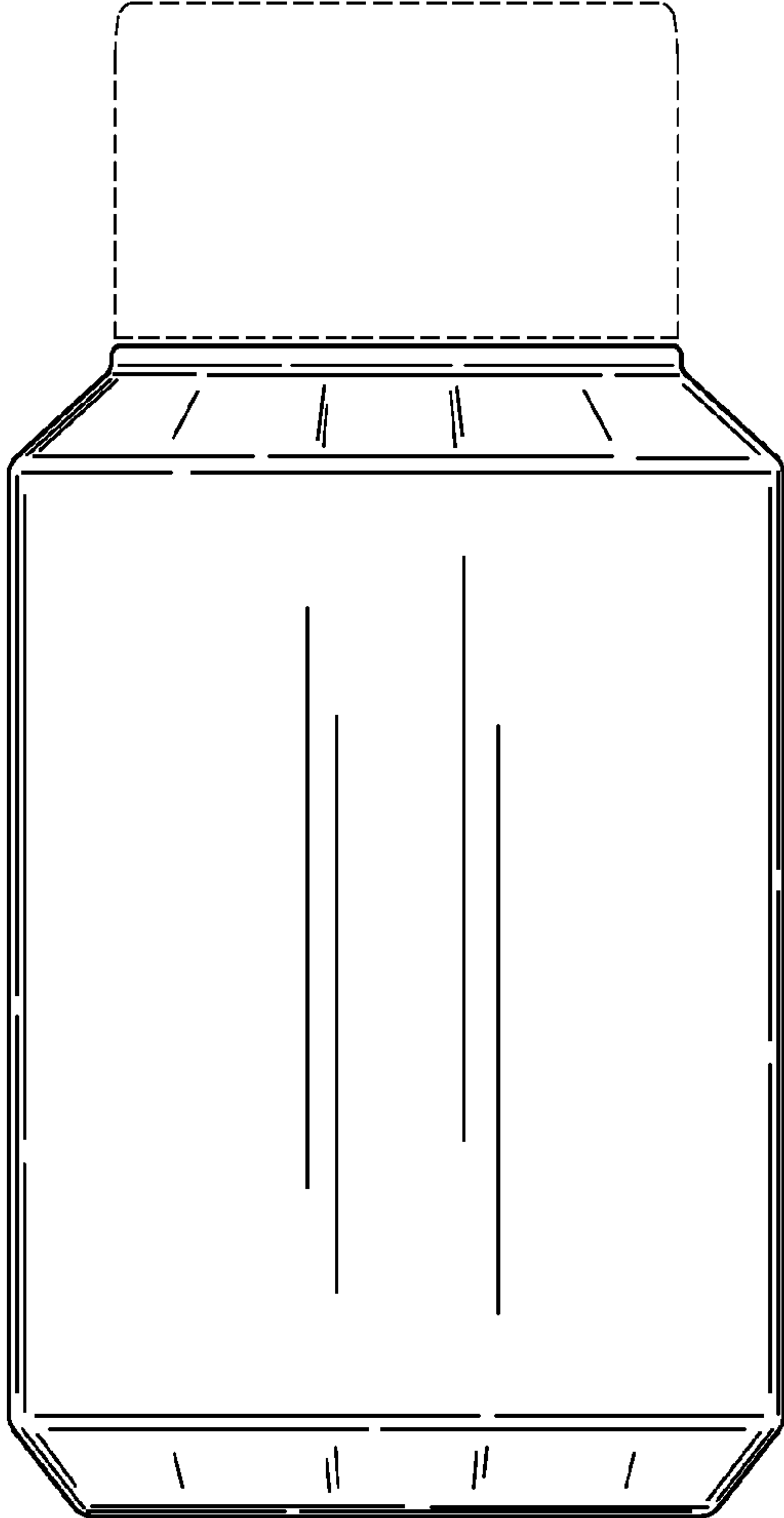
\* cited by examiner



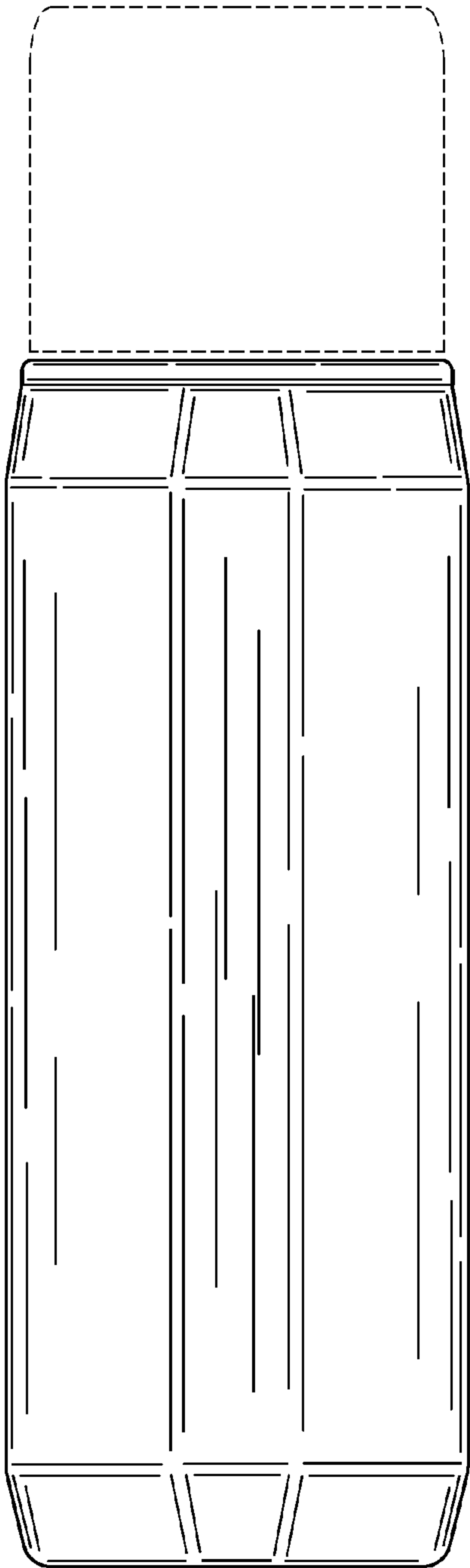
*Fig. 1*



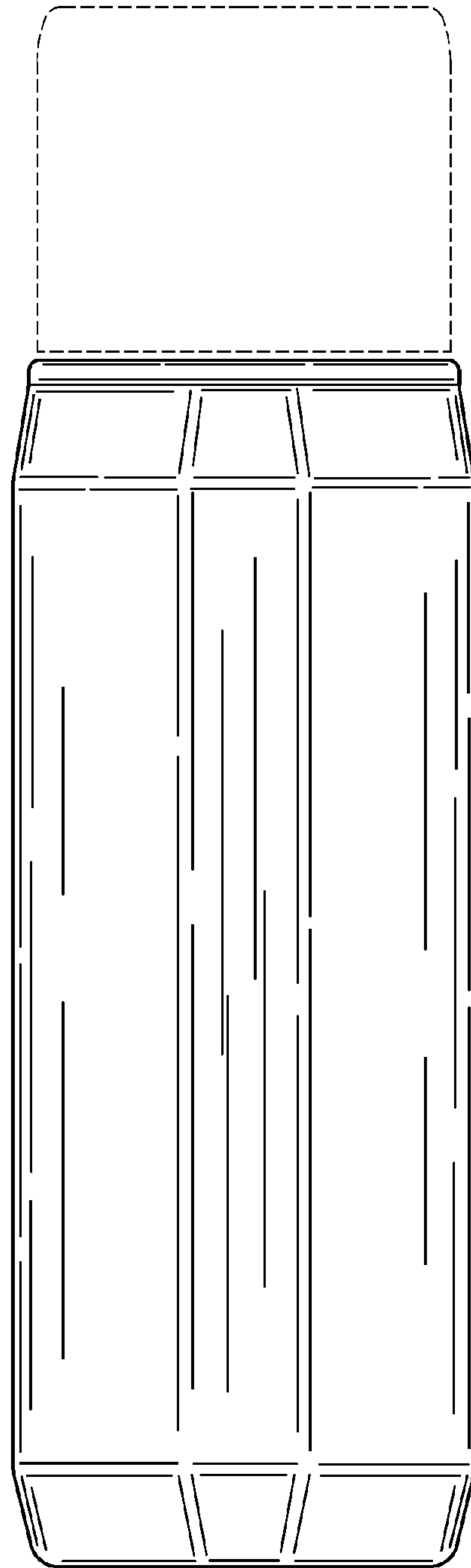
*Fig. 2*



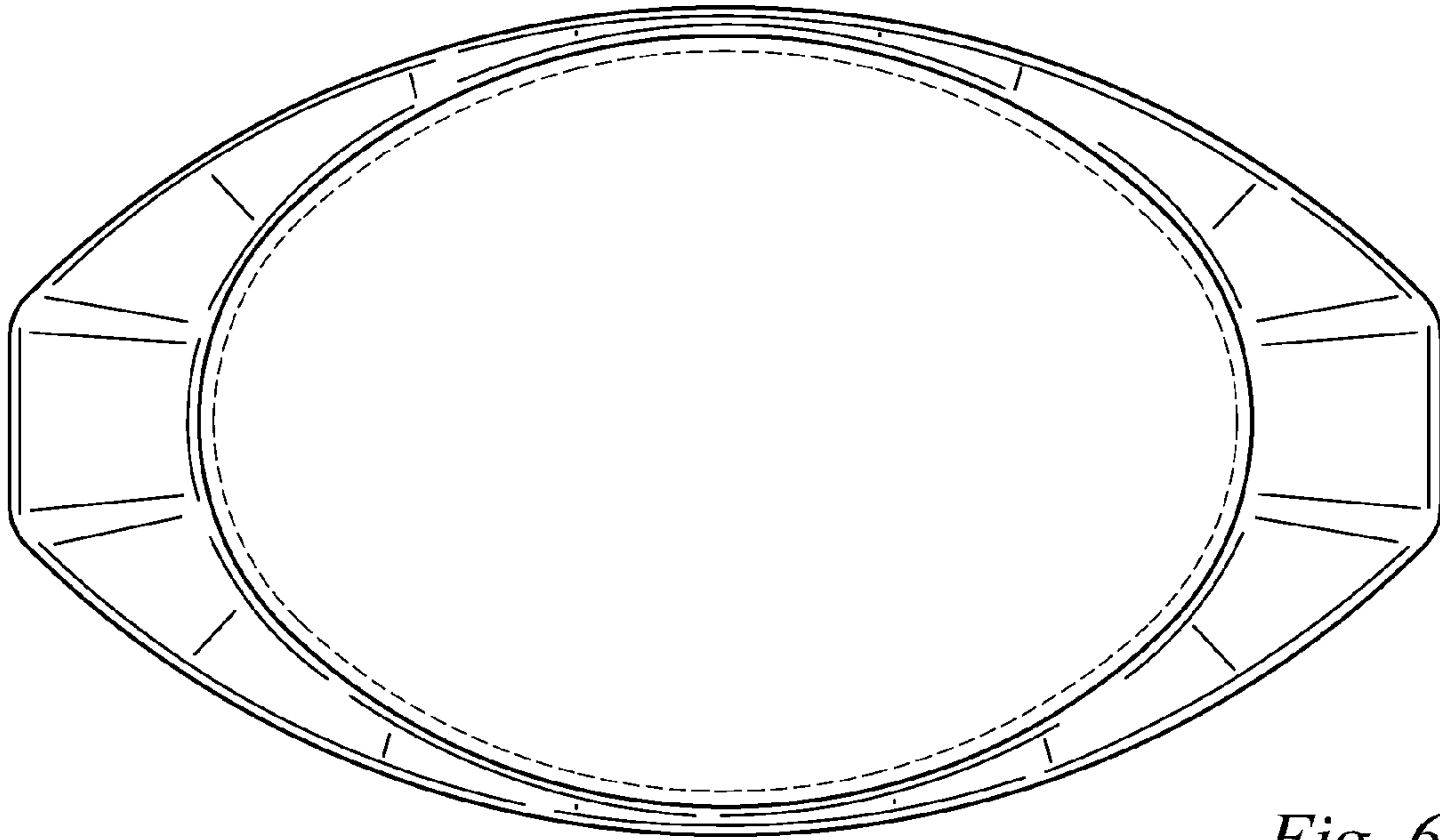
*Fig. 3*



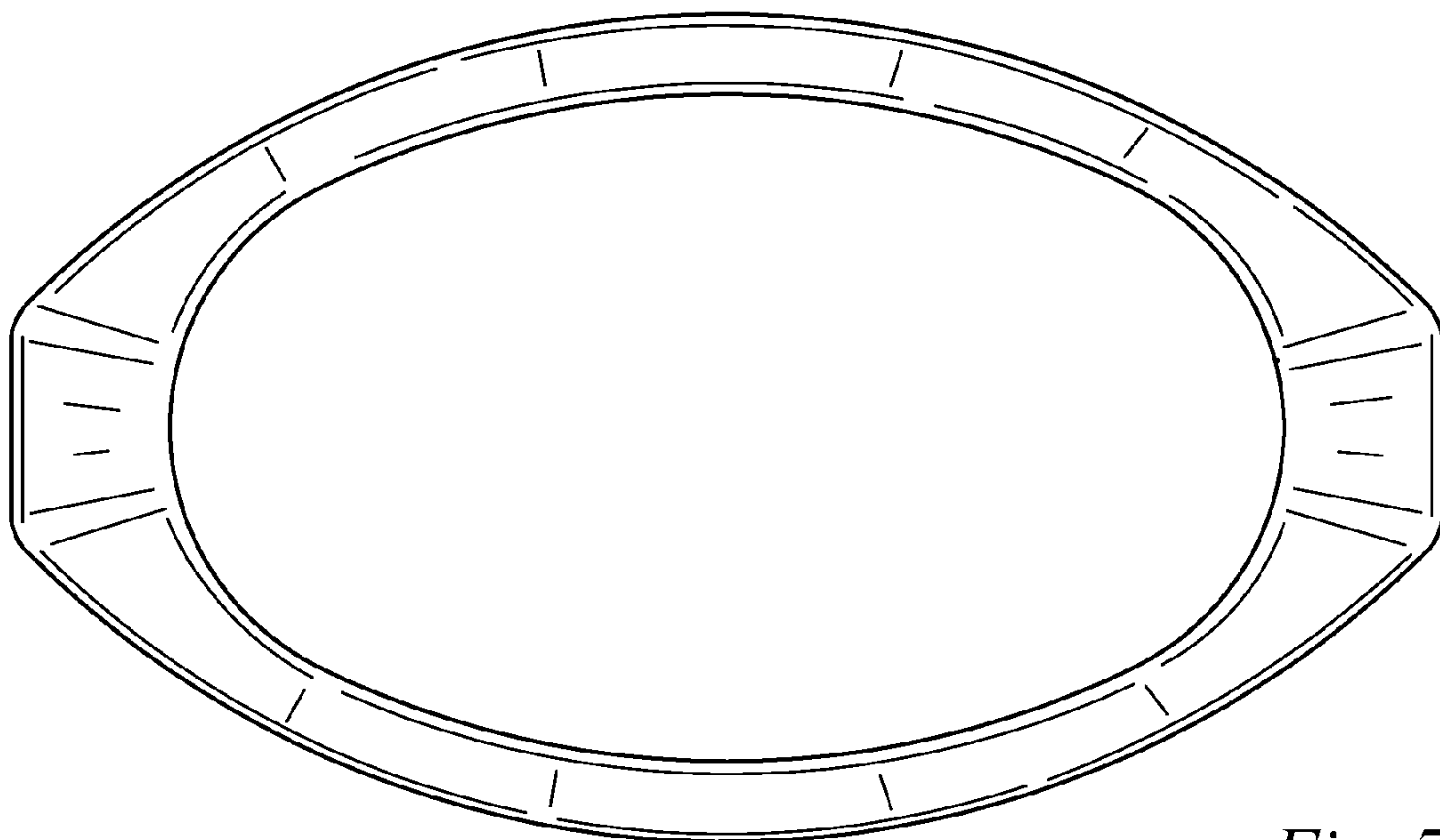
*Fig. 4*



*Fig. 5*



*Fig. 6*



*Fig. 7*