



US00D632580S

(12) **United States Design Patent**
Yourist

(10) **Patent No.:** **US D632,580 S**

(45) **Date of Patent:** **** Feb. 15, 2011**

(54) **PLASTIC CONTAINER**

(75) Inventor: **Sheldon E. Yourist**, York, PA (US)

(73) Assignee: **Graham Packaging Company, L.P.**,
York, PA (US)

(**) Term: **14 Years**

(21) Appl. No.: **29/364,058**

(22) Filed: **Jun. 17, 2010**

(51) **LOC (9) Cl.** **09-01**

(52) **U.S. Cl.** **D9/531; D9/535**

(58) **Field of Classification Search** **D9/500,**
D9/516, 520, 528, 531, 535, 537, 549, 550,
D9/563; 215/382-385, 396, 398

See application file for complete search history.

(56) **References Cited**

U.S. PATENT DOCUMENTS

D301,203	S	*	5/1989	Jolly et al.	D9/500
D330,334	S	*	10/1992	Rusnock et al.	D9/500
D408,288	S	*	4/1999	Wilson et al.	D9/531
D412,847	S	*	8/1999	Wainberg	D9/531
D489,984	S	*	5/2004	Futral et al.	D9/500
D508,651	S	*	8/2005	Harrell et al.	D9/531
D534,431	S	*	1/2007	Harrell et al.	D9/531
D543,462	S	*	5/2007	Pedmo et al.	D9/520

* cited by examiner

Primary Examiner—Shanda C Hill

(74) *Attorney, Agent, or Firm*—Knoble Yoshida & Dunleavy,
LLC

(57) **CLAIM**

The ornamental design for a plastic container, as shown and described.

DESCRIPTION

FIG. 1 is a first perspective view showing my new design;

FIG. 2 is a second perspective view;

FIG. 3 is a front elevational view;

FIG. 4 is a rear elevational view;

FIG. 5 is a first side elevational view;

FIG. 6 is second side elevational view;

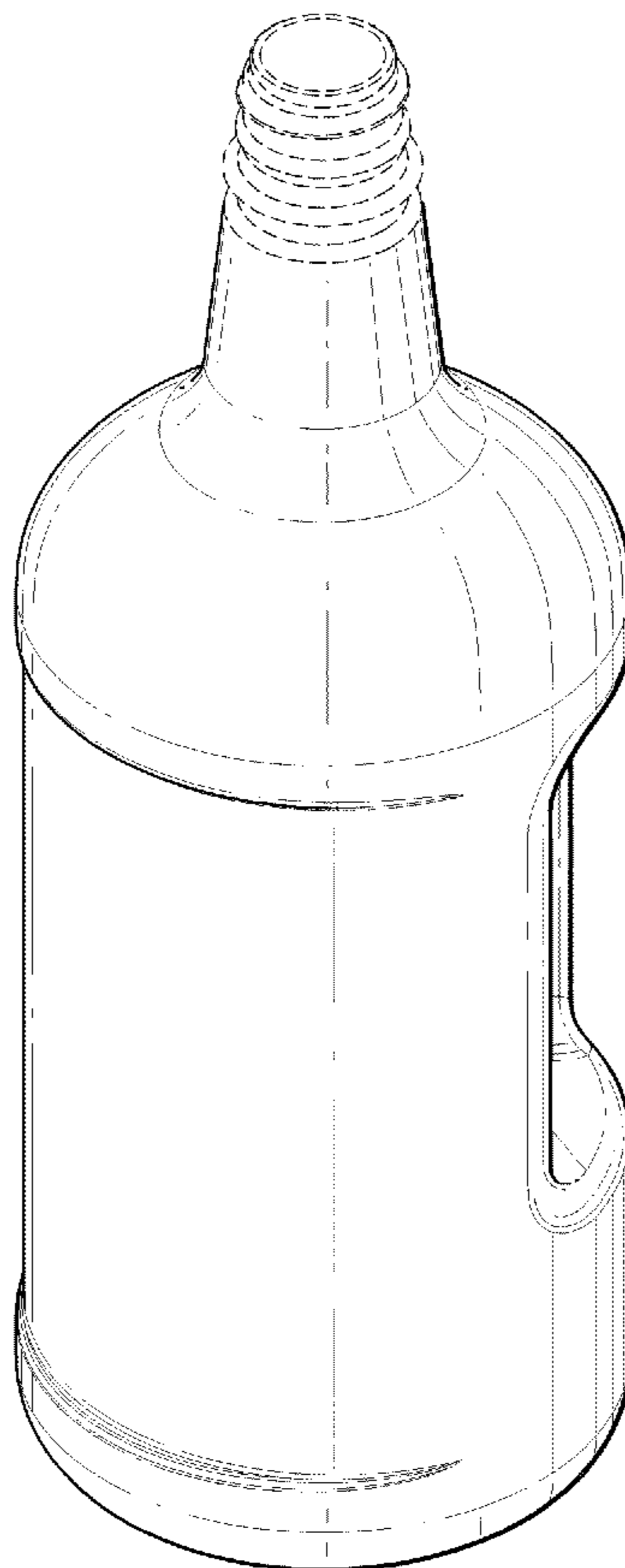
FIG. 7 is a bottom plan view; and,

FIG. 8 is a top plan view.

The broken lines shown in the drawing disclosure are for illustrative purposes only and form no part of the claimed design.

The broken lines in the drawings depict probable environment only and form no part of the claimed design.

1 Claim, 7 Drawing Sheets



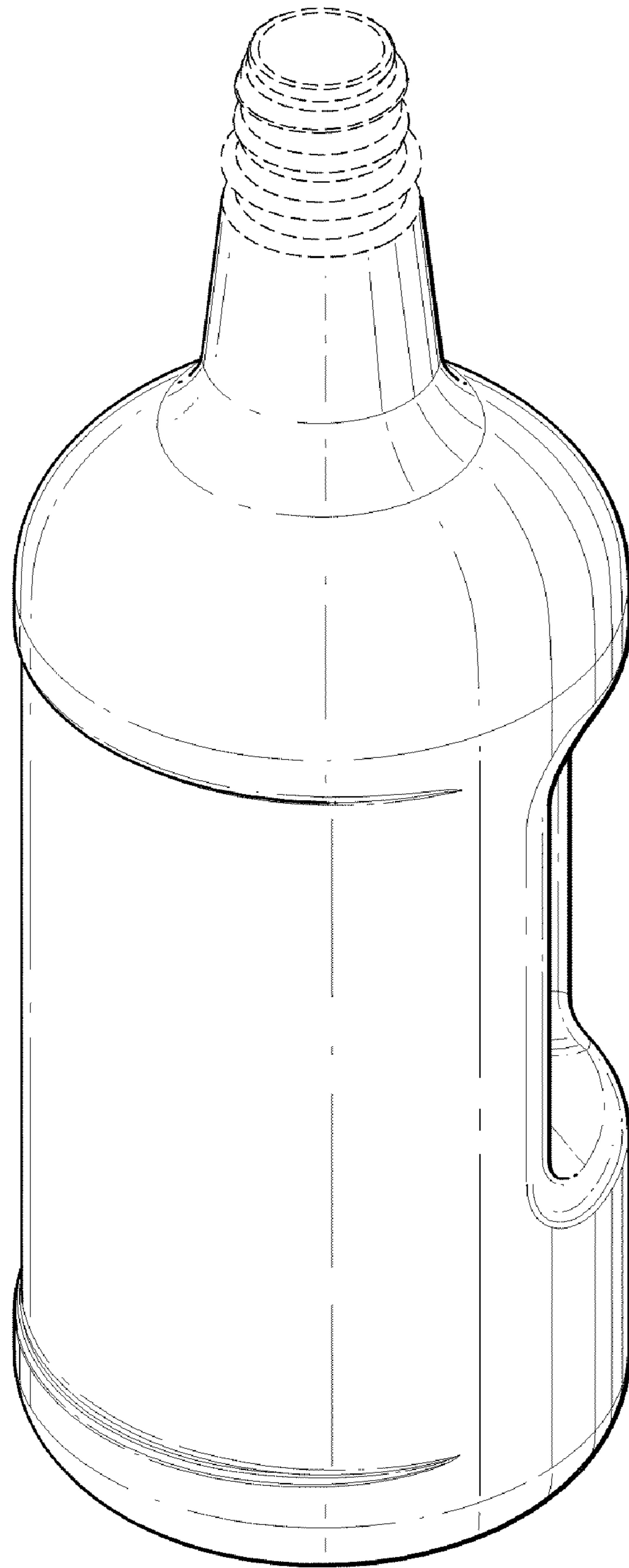


FIG. 1

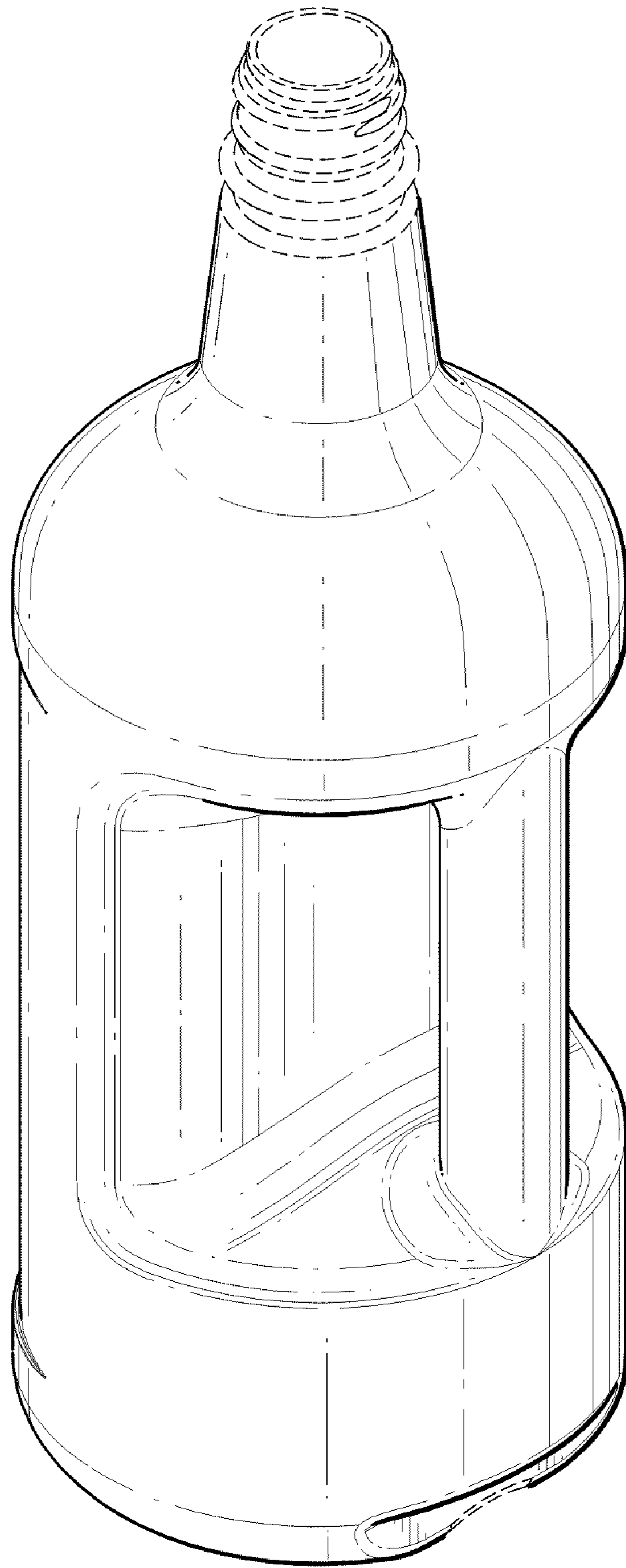


FIG. 2

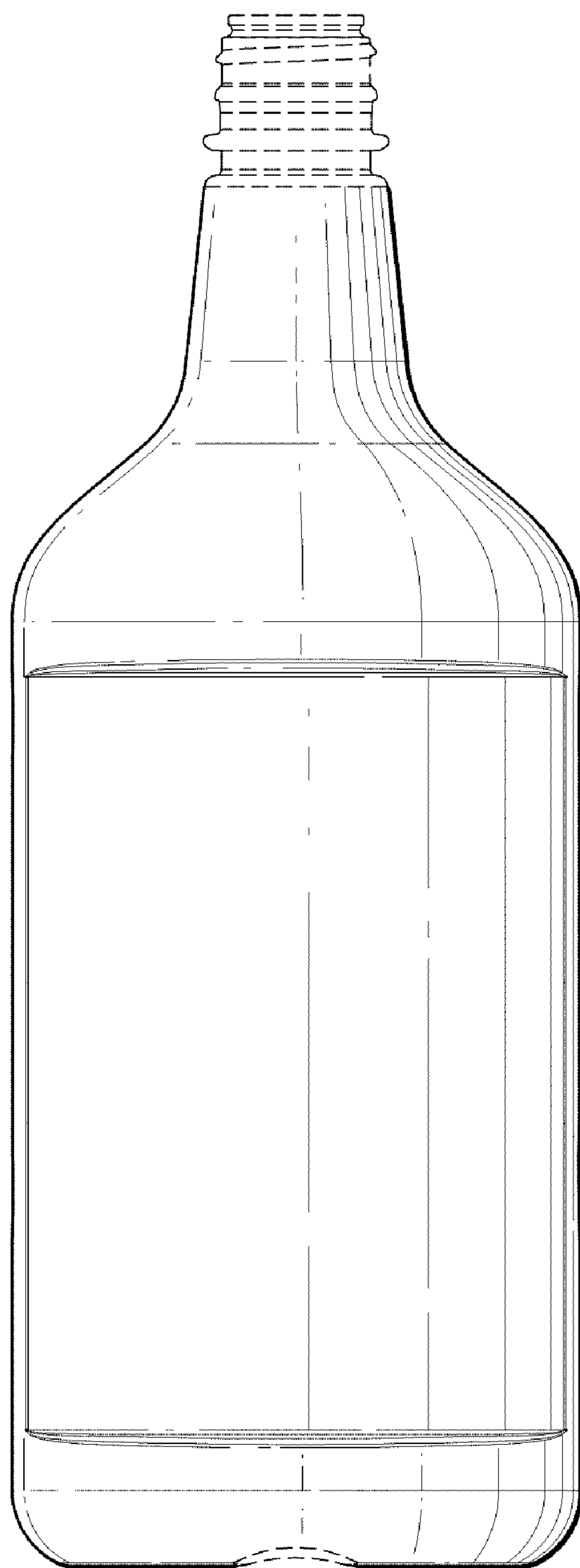


FIG. 3

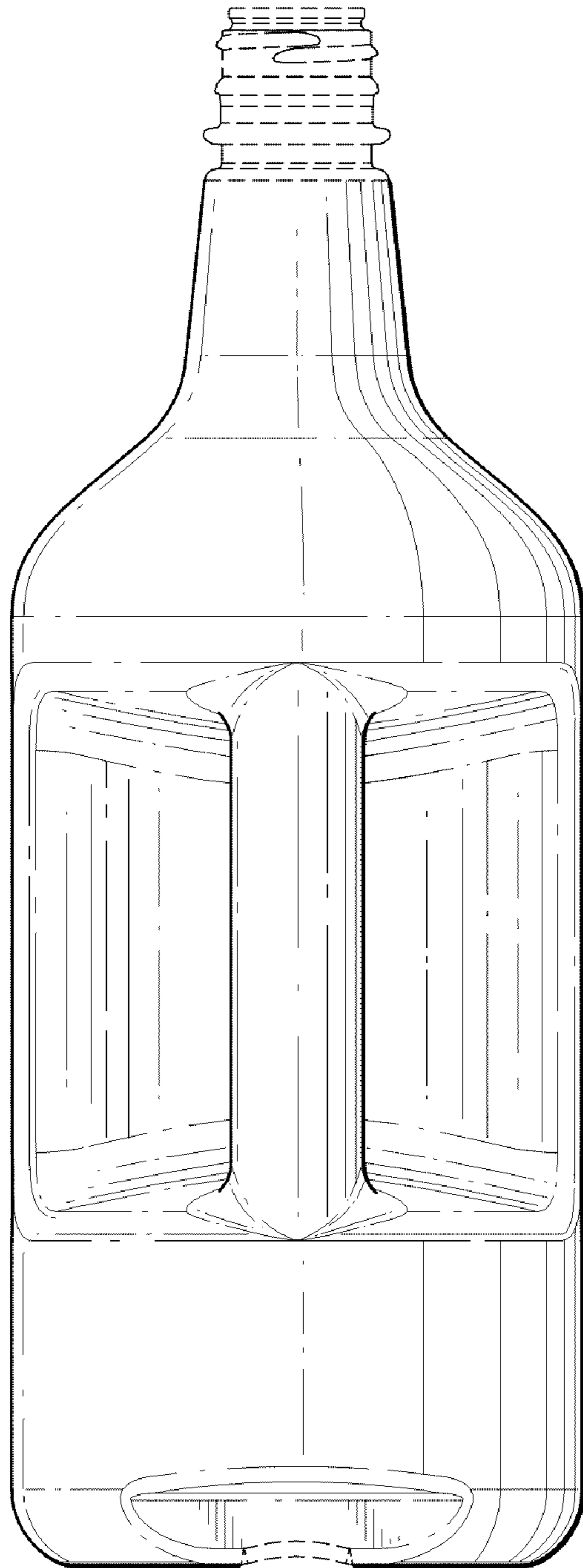


FIG. 4

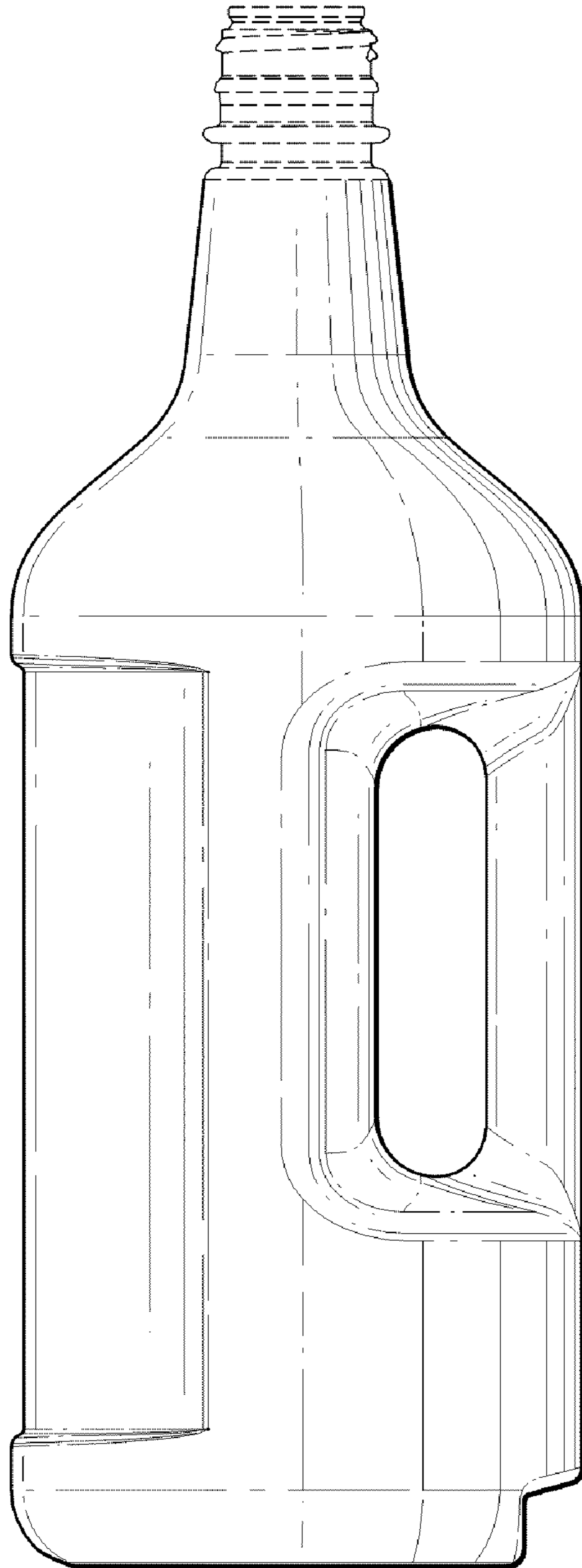


FIG. 5

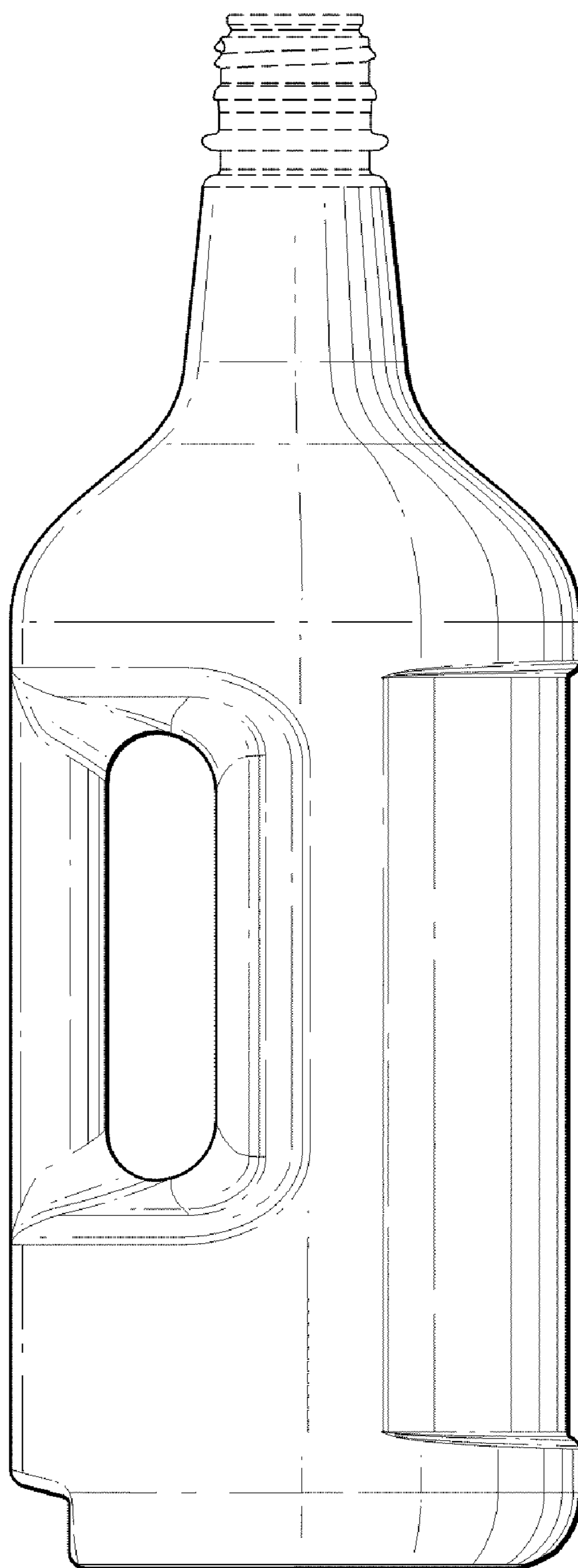


FIG. 6

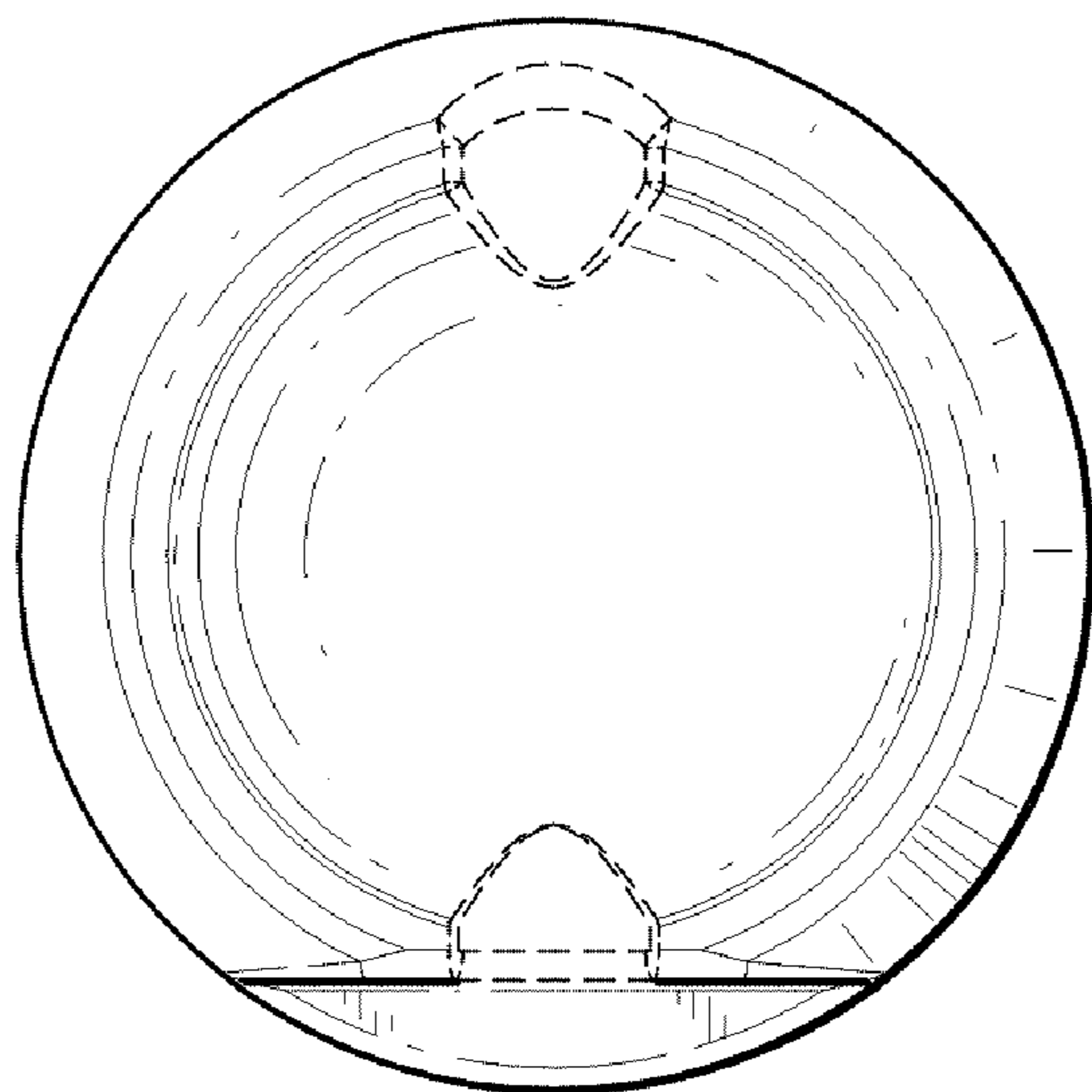


FIG. 7

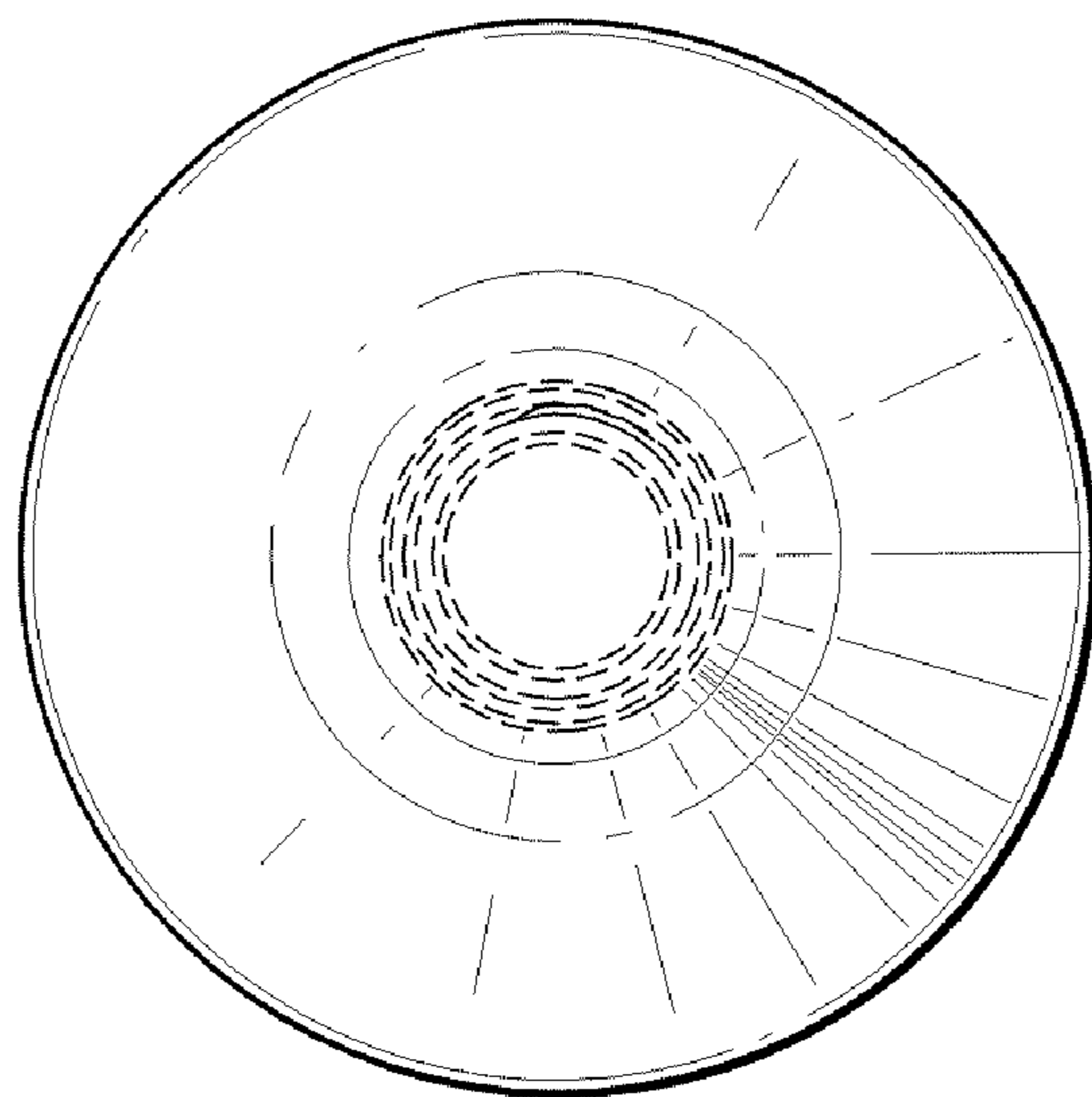


FIG. 8