



US00D632572S

(12) **United States Design Patent**
Jebb et al.

(10) **Patent No.:** **US D632,572 S**

(45) **Date of Patent:** **** *Feb. 15, 2011**

(54) **CAP**

D617,638 S * 6/2010 Zaniewski et al. D9/435
D619,467 S * 7/2010 Bogosyan D9/529

(75) Inventors: **Timothy Hope Jebb**, Turnbridge Wells (GB); **Benjamin James Lambert**, Turnbridge Wells (GB); **Philip Alan Marlow**, Turnbridge Wells (GB); **Benjamin Phalan Oates**, Turnbridge Wells (GB)

OTHER PUBLICATIONS

Co-pending application for: Applicant: Jebb et al.: U.S. Appl. No. 29/363,712, filed Jun. 14, 2010, entitled Bottle.
Co-pending application for: Applicant: Drake et al.: U.S. Appl. No. 29/363,708, filed Jun. 14, 2010, entitled Bottle.
Co-pending application for: Applicant: Gately et al.: U.S. Appl. No. 29/363,710, filed Jun. 14, 2010, entitled Bottle.
Co-pending application for: Applicant: Drake et al.: U.S. Appl. No. 29/363,714, filed Jun. 14, 2010, entitled Bottle.
Co-pending application for: Applicant: Drake et al.: U.S. Appl. No. 29/363,716, filed Jun. 14, 2010, entitled Part of a Bottle.
Co-pending application for: Applicant: Jebb et al.: U.S. Appl. No. 29/363,719, filed Jun. 14, 2010, entitled Jar.
Co-pending application for: Applicant: Drake et al.: U.S. Appl. No. 29/363,720, filed Jun. 14, 2010, entitled Part of a Bottle.

(73) Assignee: **Conopco, Inc.**, Englewood Cliffs, NJ (US)

(**) Term: **14 Years**

(21) Appl. No.: **29/363,718**

(22) Filed: **Jun. 14, 2010**

(30) **Foreign Application Priority Data**

Dec. 14, 2009 (GB) 4013751

(51) **LOC (9) Cl.** **09-07**

(52) **U.S. Cl.** **D9/449**

(58) **Field of Classification Search** D9/529,
D9/504, 503, 454, 453, 452, 450, 449, 447,
D9/446, 443, 435; D7/900, 396.2, 392.1;
222/556, 544, 494, 480, 472, 321.9, 212,
222/185.1; 220/837, 835, 813, 810, 375,
220/254.5; 215/305, 228, 226, 200
See application file for complete search history.

* cited by examiner

Primary Examiner—Susan Bennett Hattan
(74) *Attorney, Agent, or Firm*—Ronald A. Koatz

(57) **CLAIM**

The ornamental design for a cap, as shown and described.

DESCRIPTION

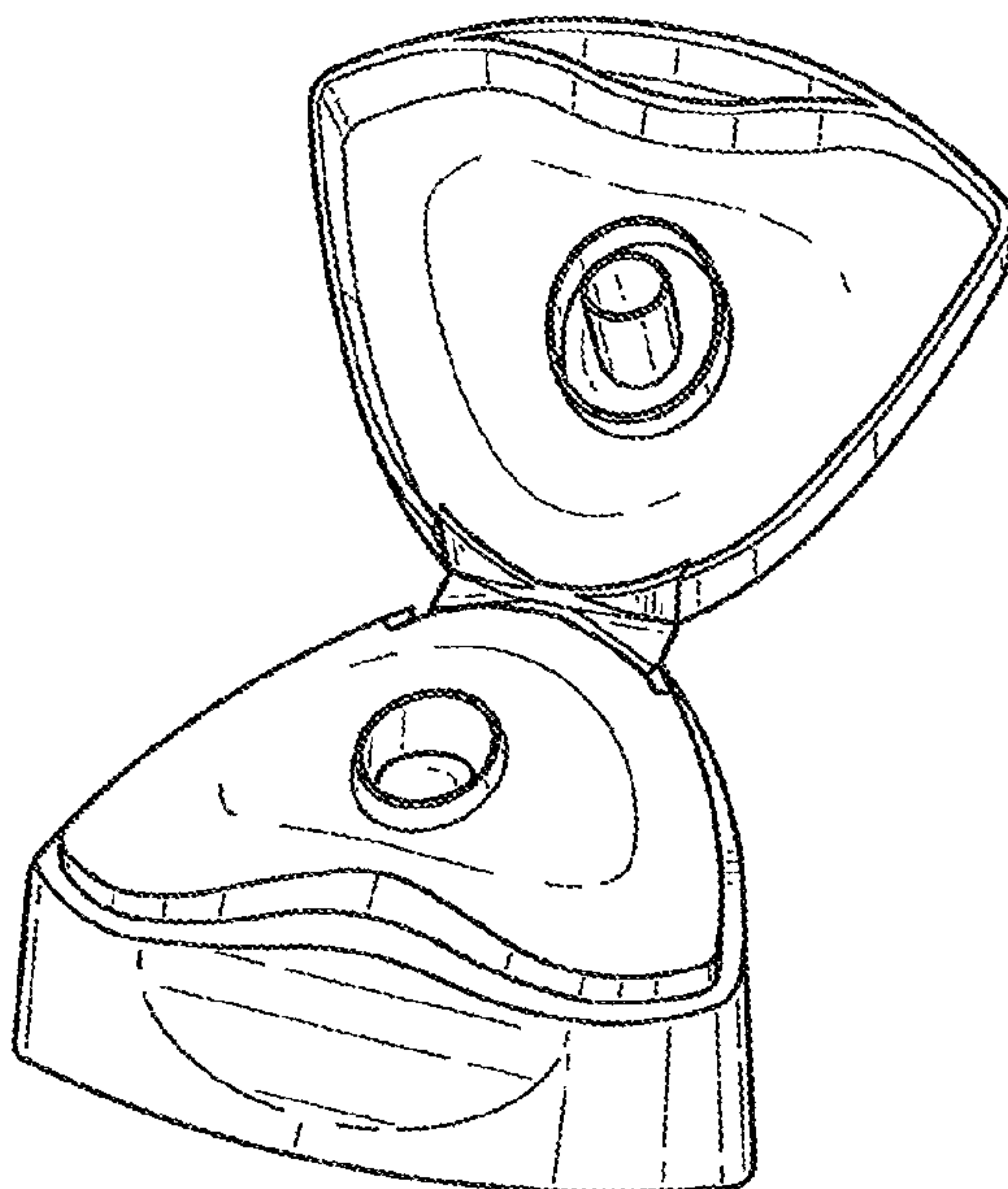
FIG. 1 is a top, front and side perspective view of our cap;
FIG. 2 is a front elevational view thereof;
FIG. 3 is a rear elevational view thereof;
FIG. 4 is a side elevational view thereof;
FIG. 5 is an elevational view of the other side thereof;
FIG. 6 is a top plan view thereof; and,
FIG. 7 is a bottom plan view thereof.

(56) **References Cited**

U.S. PATENT DOCUMENTS

D259,169 S * 5/1981 Bogner D34/11
D357,183 S * 4/1995 Hotz D9/447
D358,770 S * 5/1995 Hotz D9/447
D358,771 S * 5/1995 Hotz D9/447
D531,905 S * 11/2006 Day D9/522

1 Claim, 2 Drawing Sheets



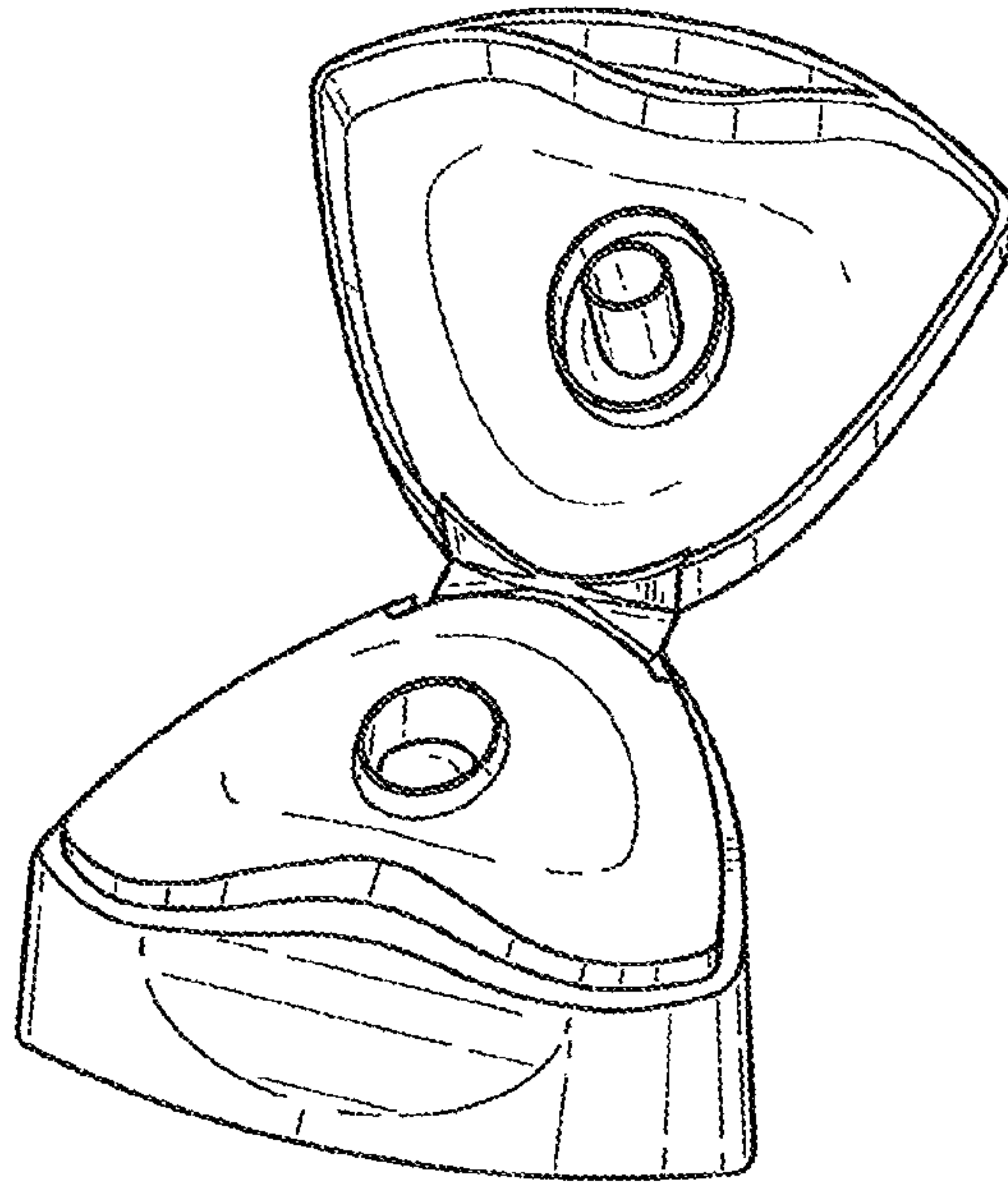


Fig. 1.

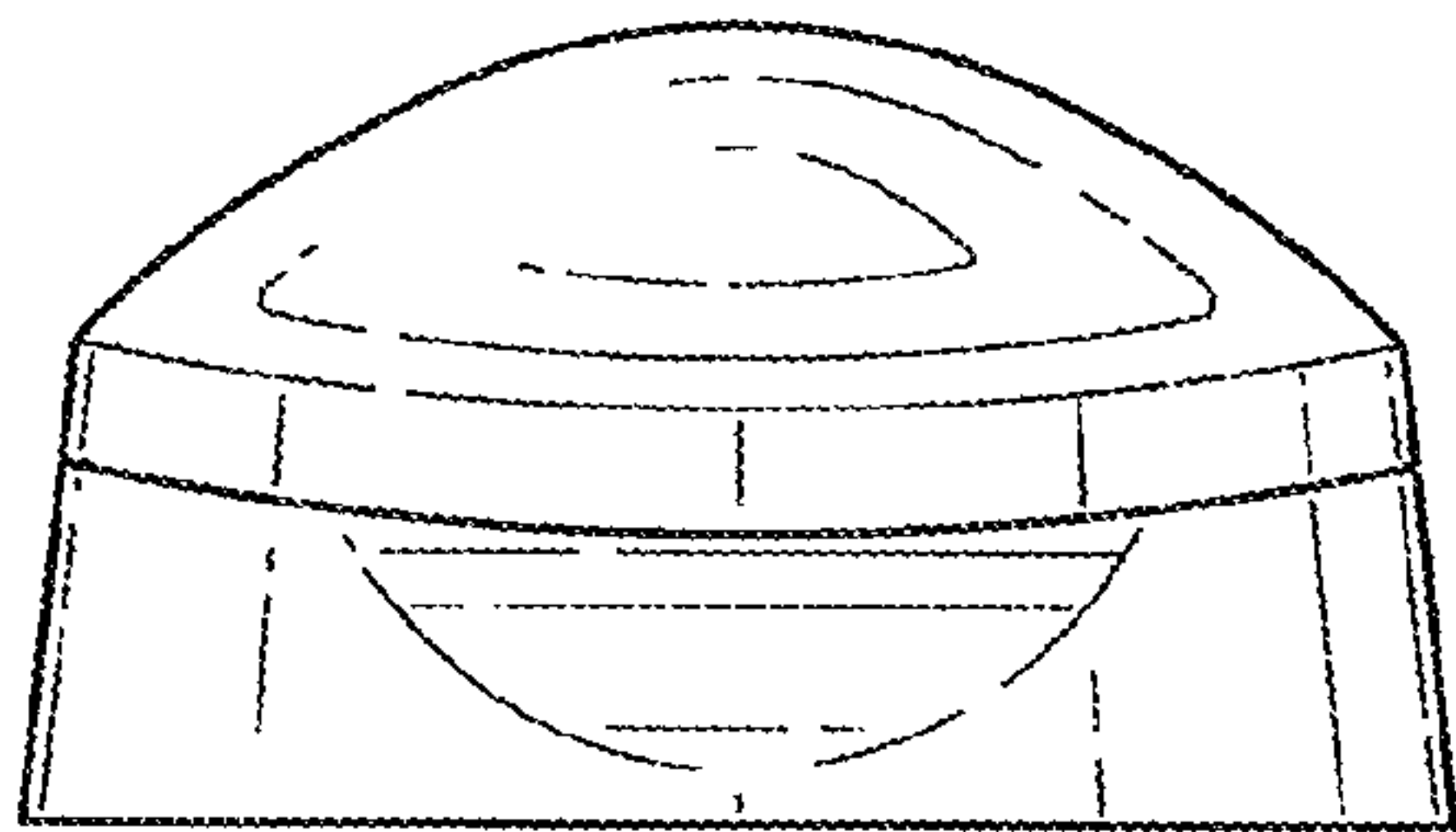


Fig. 2.

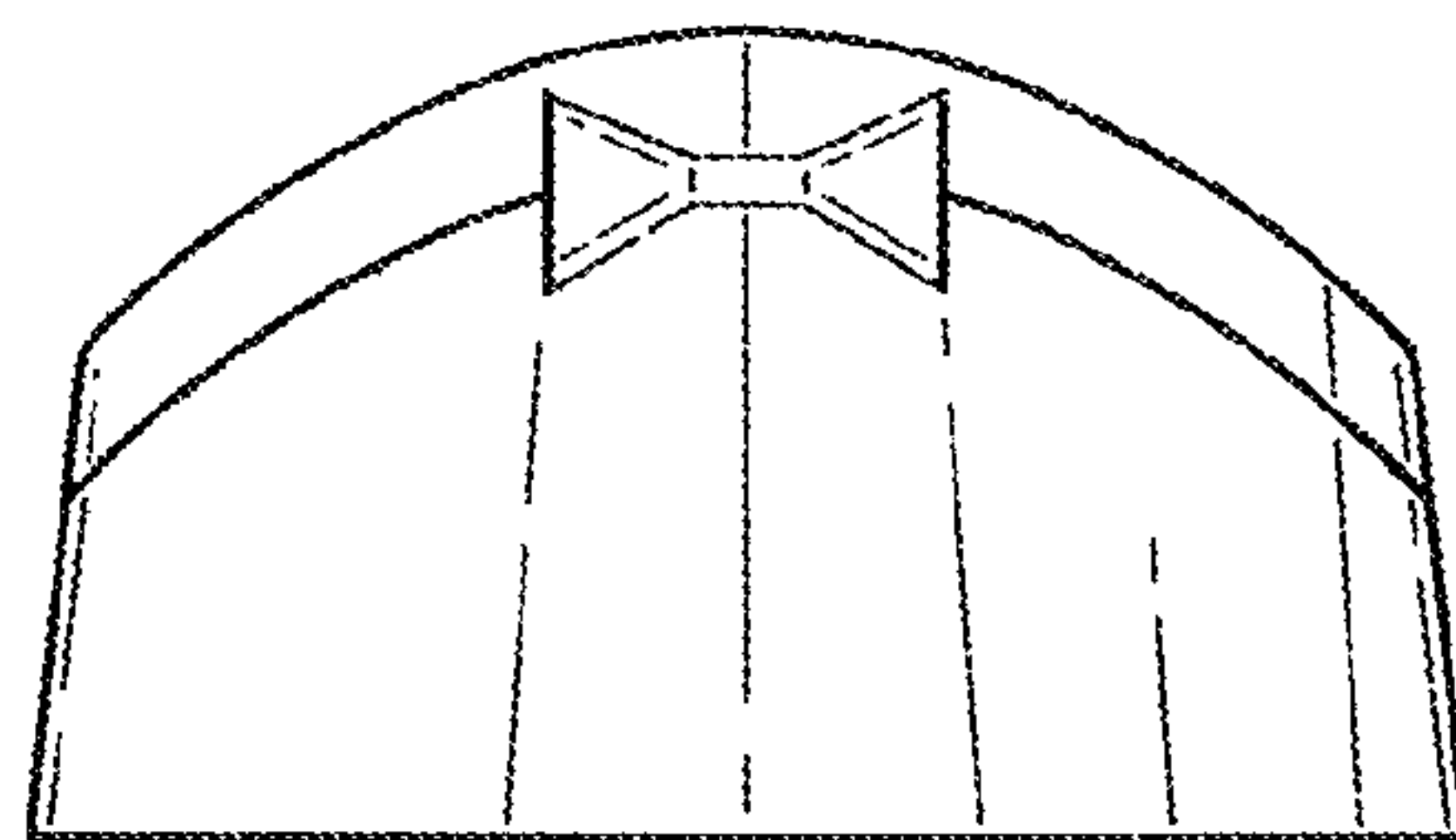


Fig. 3.

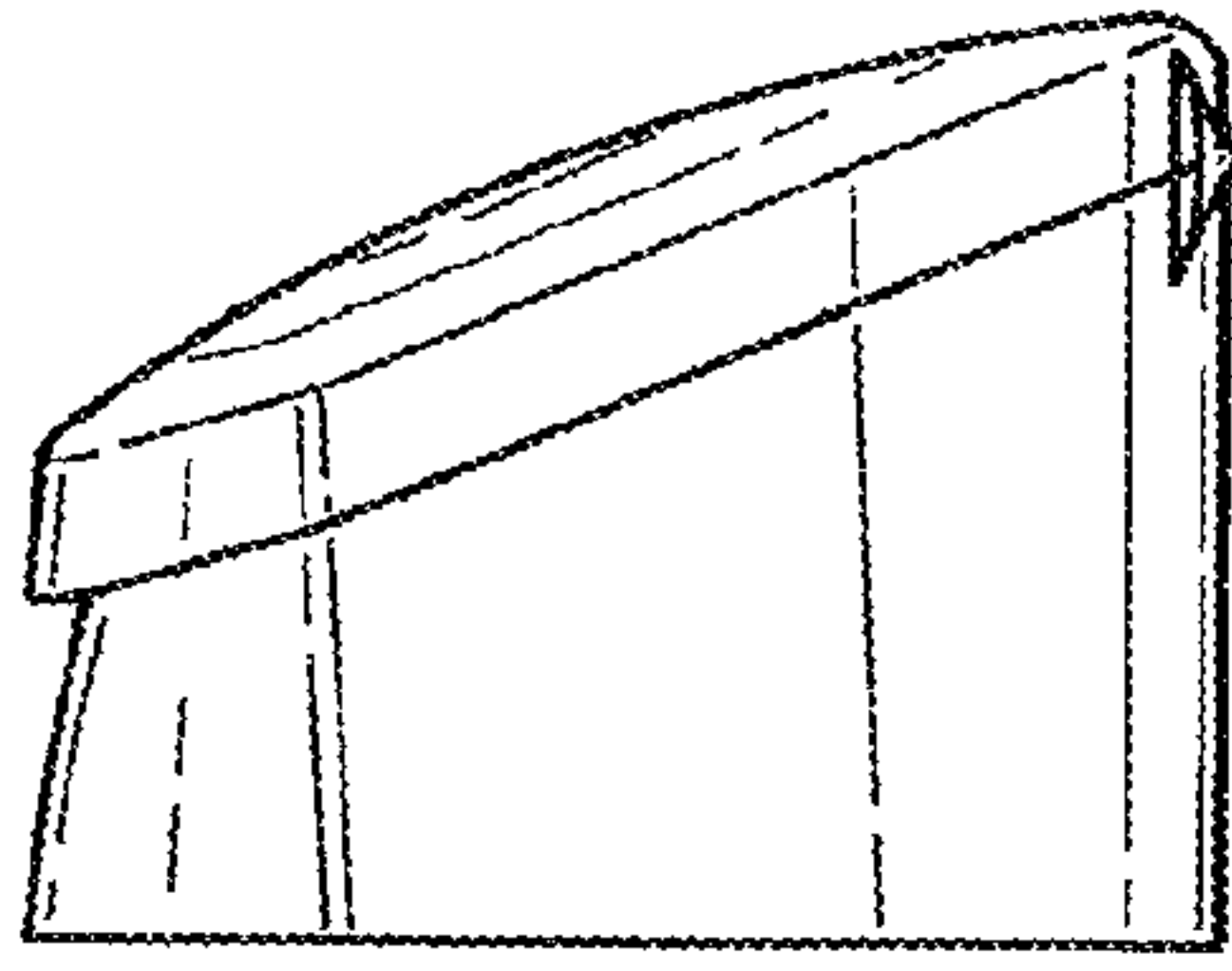


Fig.4.

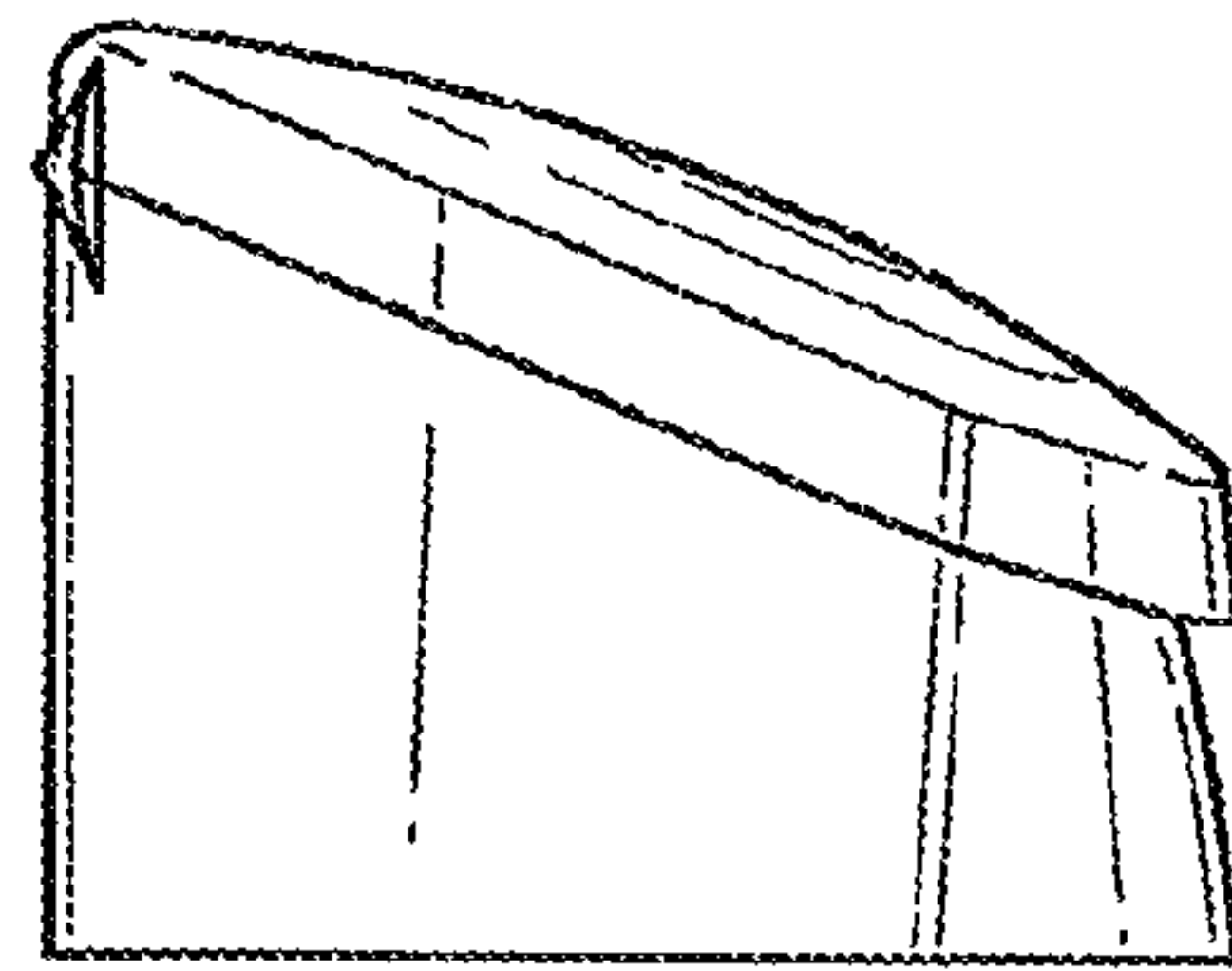


Fig.5.

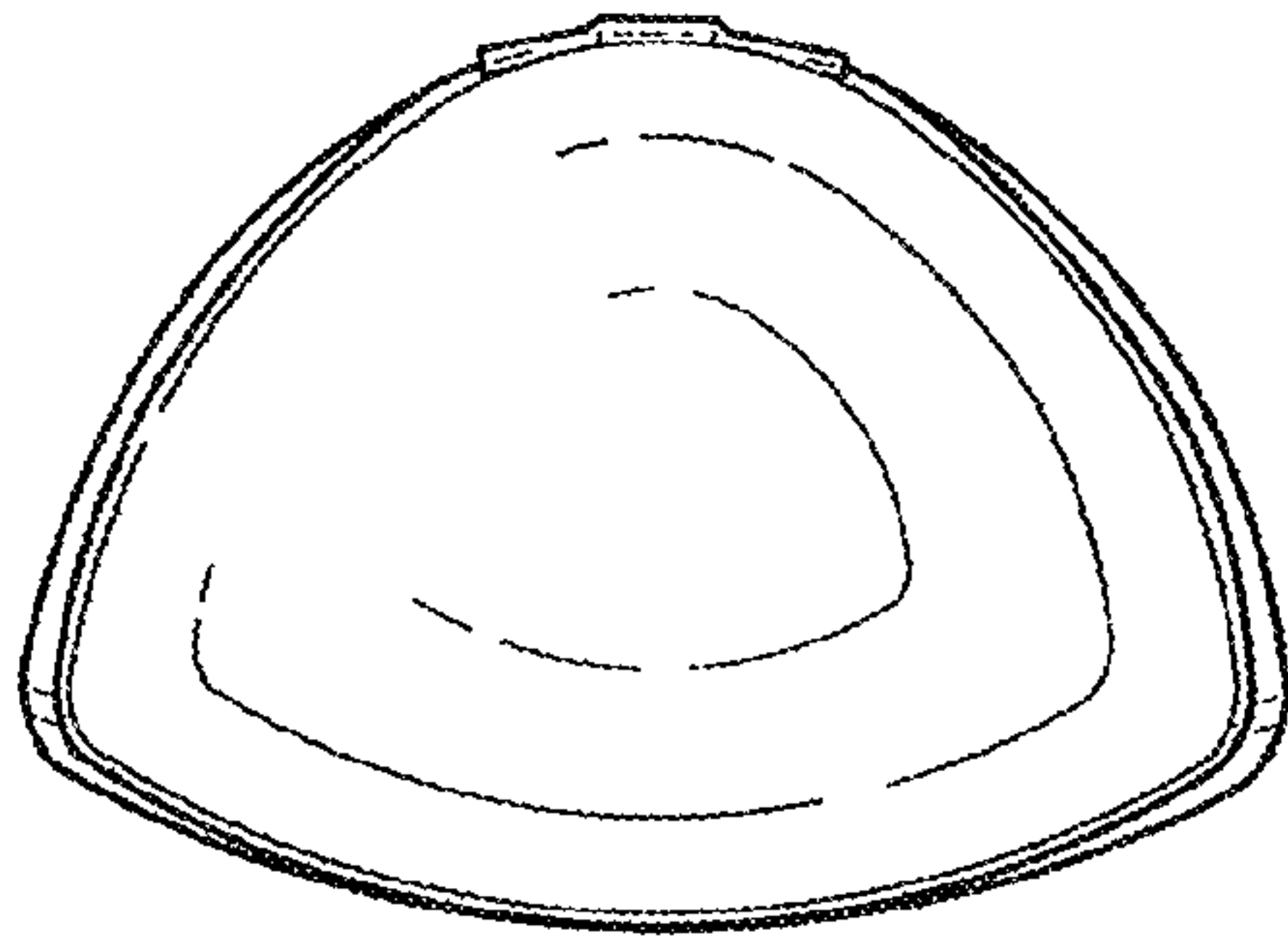


Fig.6.

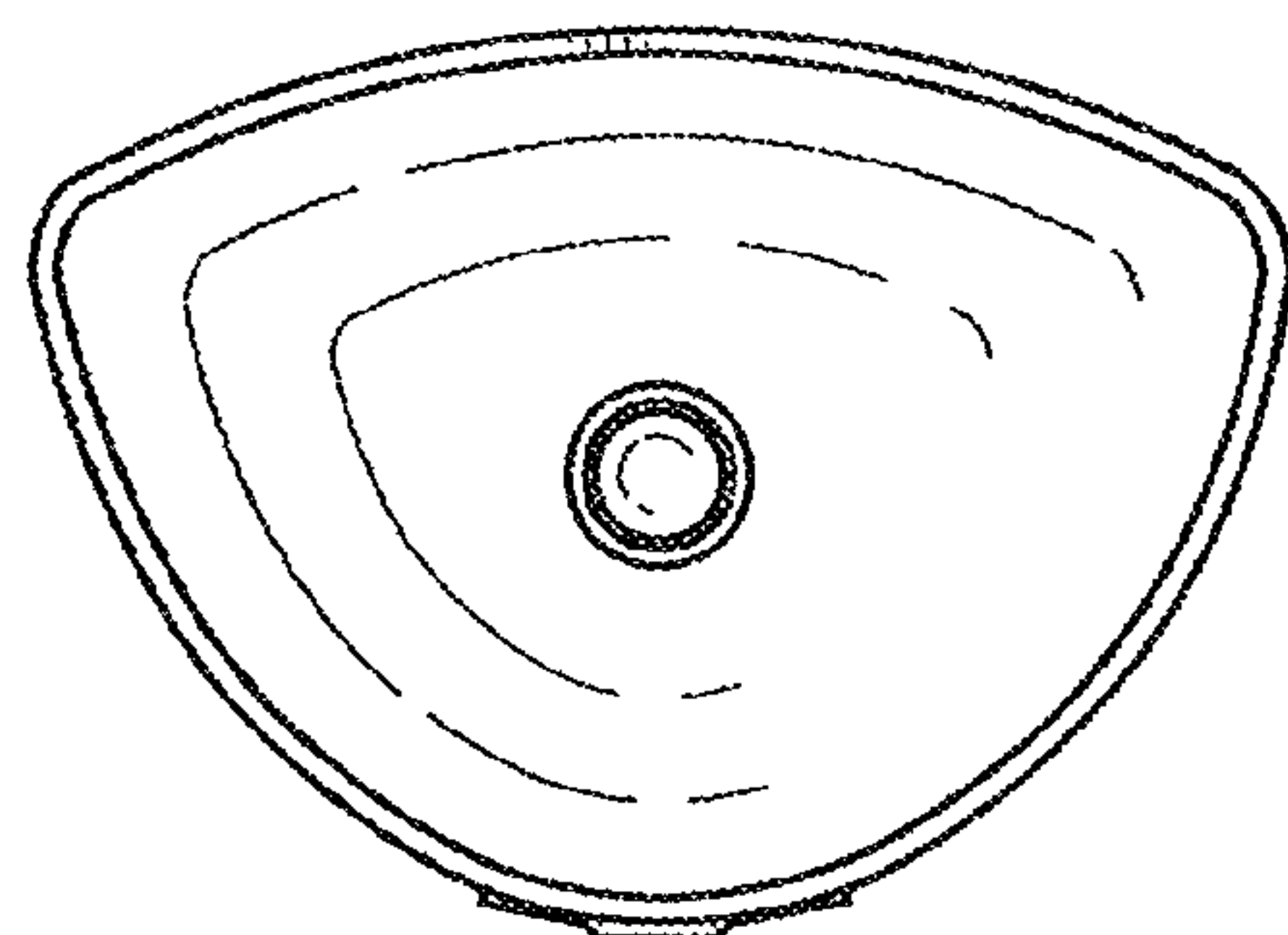


Fig.7.