



US00D632571S

(12) **United States Design Patent**
Blythe

(10) **Patent No.:** **US D632,571 S**

(45) **Date of Patent:** **** Feb. 15, 2011**

(54) **BOTTLE CAP**

D330,858 S * 11/1992 Harris D9/455
D379,432 S * 5/1997 Santini D9/434
D458,130 S * 6/2002 Ronne et al. D9/434

(75) Inventor: **Brad E. Blythe**, 4810 Vail Pl.,
Evergreen, CO (US) 80439

* cited by examiner

(73) Assignee: **Brad E. Blythe**, Evergreen, CO (US)

Primary Examiner—Susan Bennett Hattan
(74) *Attorney, Agent, or Firm*—Swanson & Bratschun,
L.L.C.

(**) Term: **14 Years**

(21) Appl. No.: **29/360,750**

(57) **CLAIM**

(22) Filed: **Apr. 30, 2010**

I claim the ornamental design for a bottle cap, as shown and described.

(51) **LOC (9) Cl.** **09-07**

(52) **U.S. Cl.** **D9/443; D9/439; D9/454**

(58) **Field of Classification Search** D9/761,
D9/759, 756, 708, 709, 702, 456, 455, 454,
D9/453, 445, 443, 436, 435, 434, 439; 53/412;
248/146; 229/120; 222/109; 220/4.23; 219/439;
215/305; 206/392.6, 392.1, 692; D7/304,
D7/295, 392.1, 396.2, 608

See application file for complete search history.

DESCRIPTION

FIG. 1 is a top plan view of the bottle cap showing of my new design;

FIG. 2 is a side perspective view thereof;

FIG. 3 is a front and back elevational view thereof;

FIG. 4 is a left and right side elevational view thereof; and,

FIG. 5 is a bottom plan view thereof.

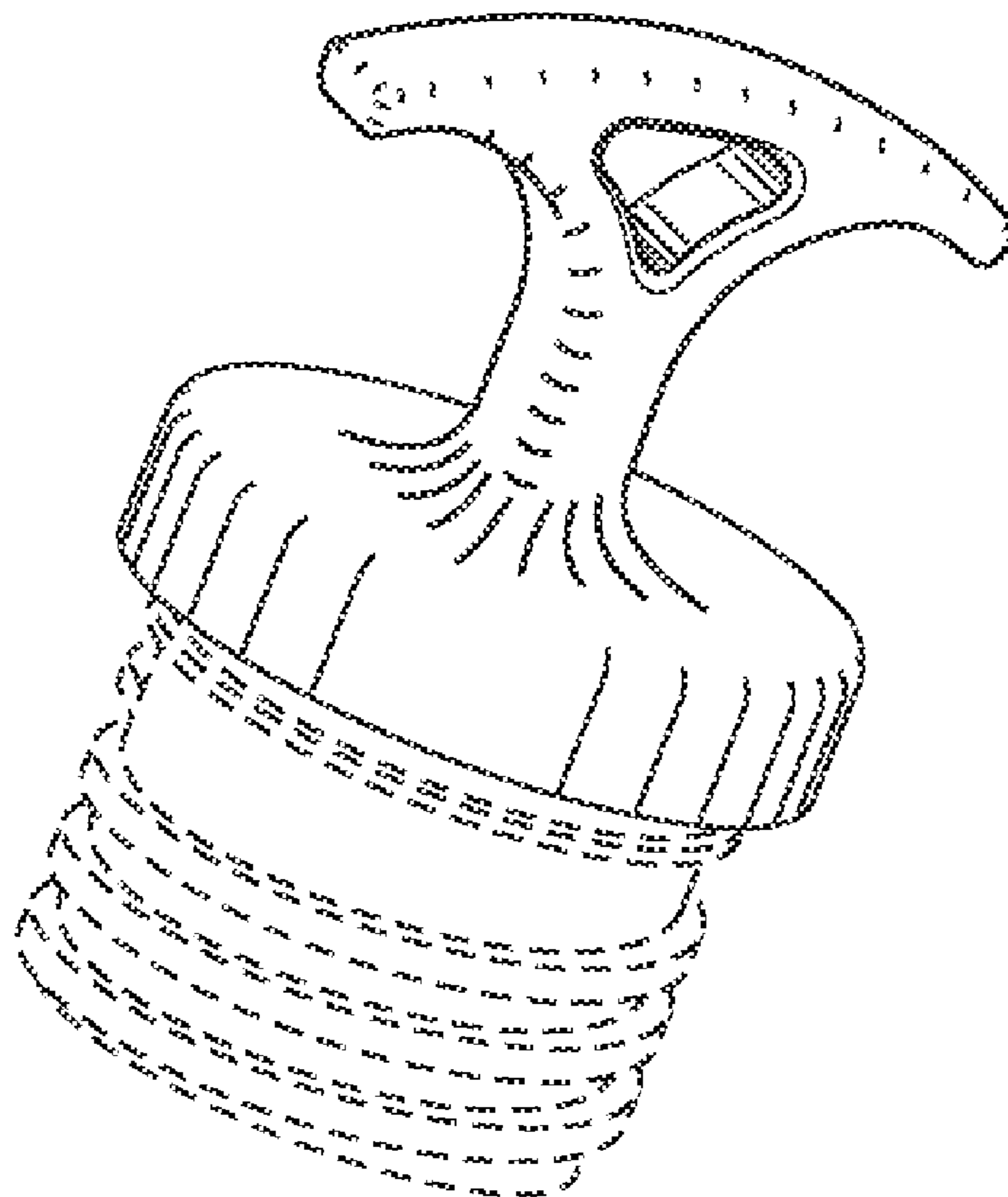
The broken line showing a threaded stopper on the drawing disclosure depicts environmental subject matter only and forms no part of the claimed design.

(56) **References Cited**

U.S. PATENT DOCUMENTS

D222,612 S * 11/1971 Marg D9/436
D222,613 S * 11/1971 Marg D9/436
D223,339 S * 4/1972 Marg D9/436

1 Claim, 1 Drawing Sheet



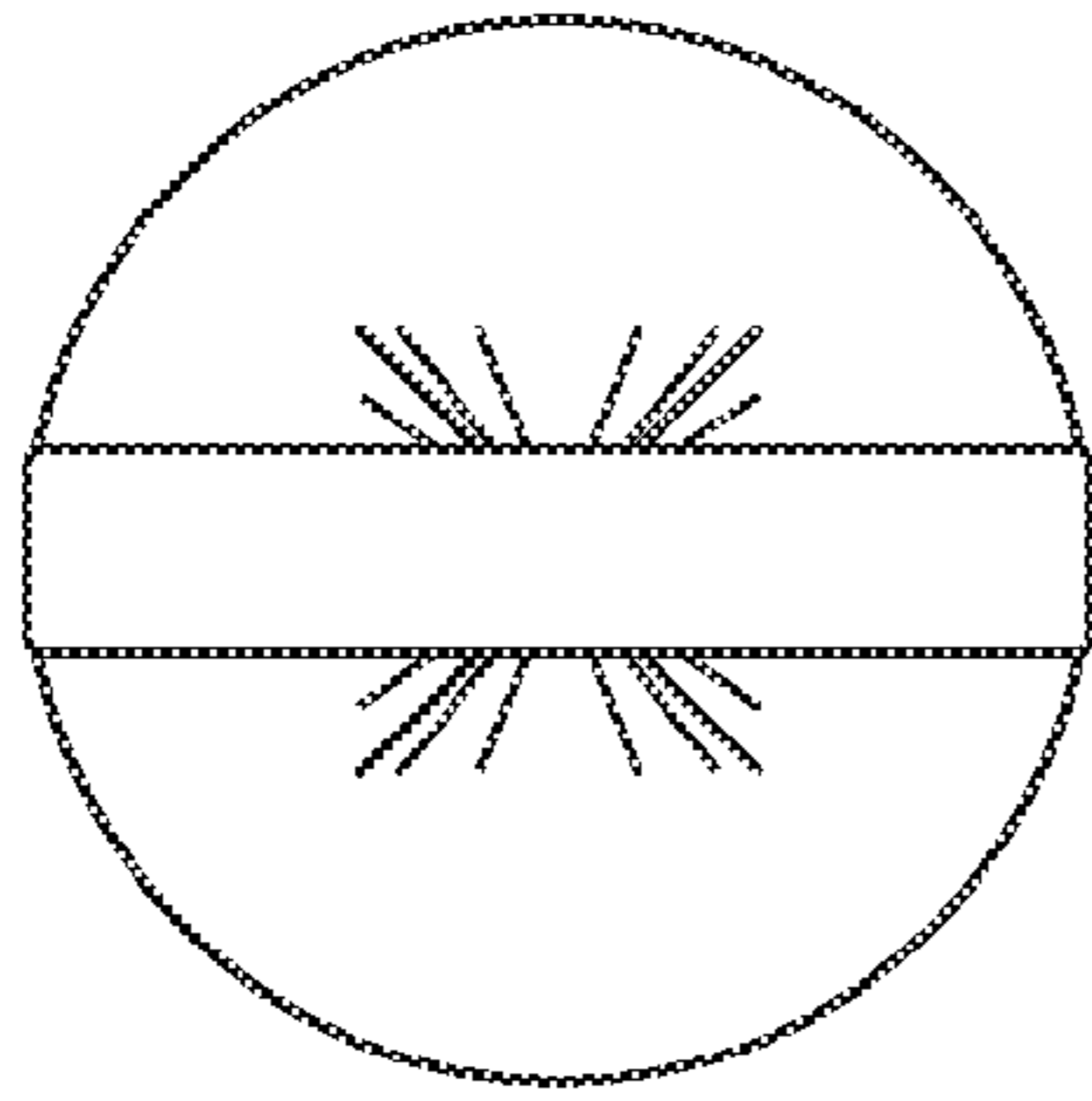


Fig. 1

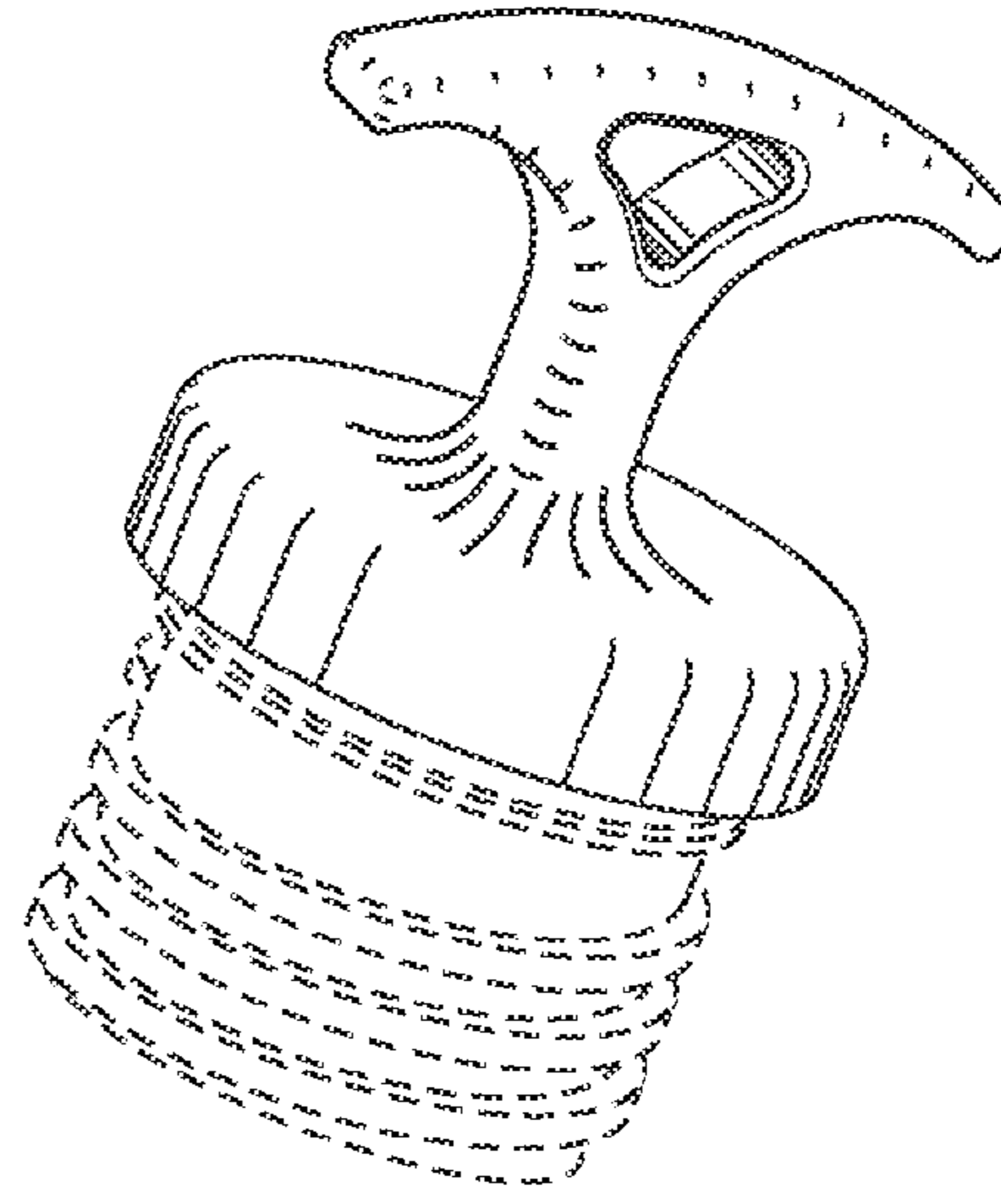


Fig. 2

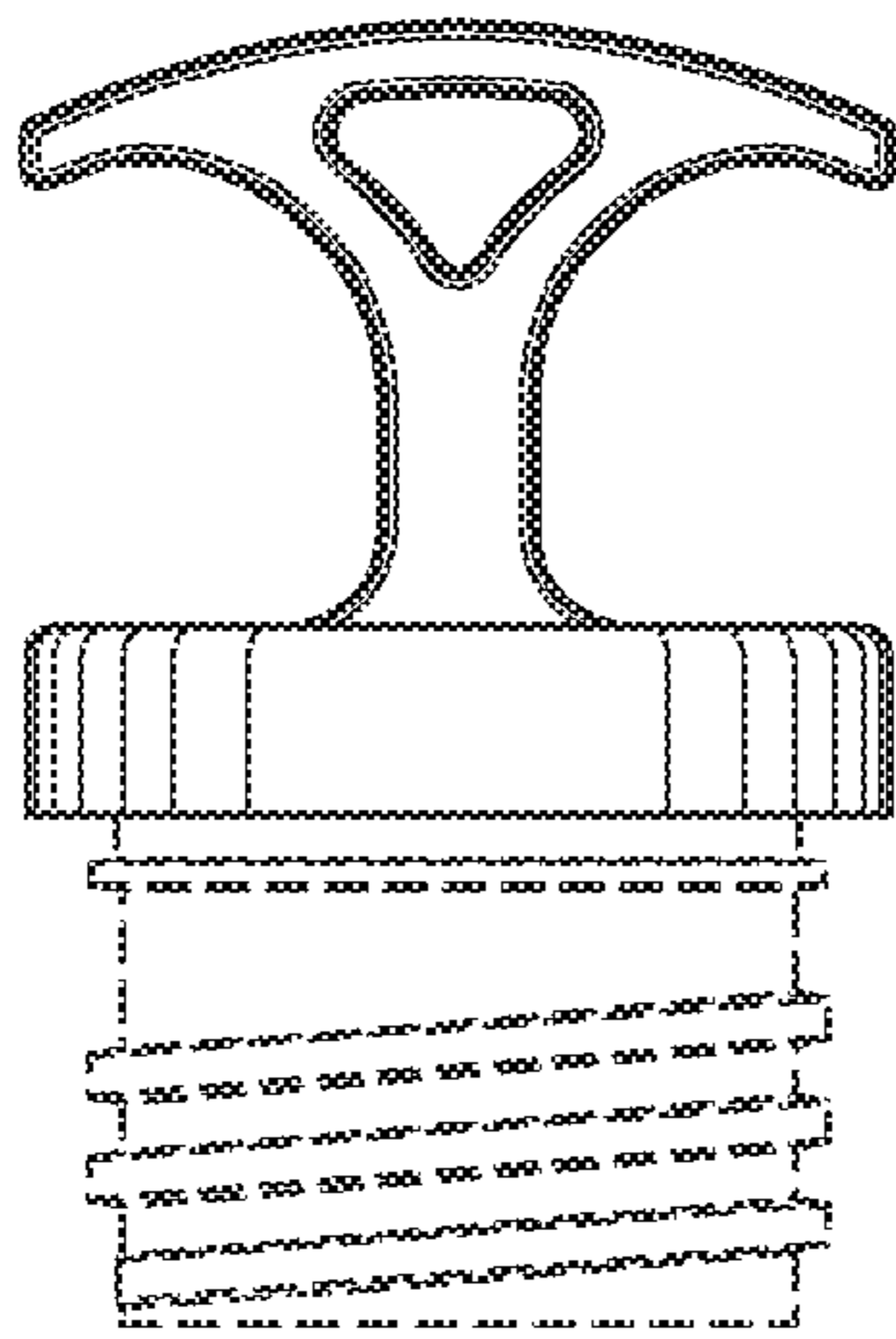


Fig. 3

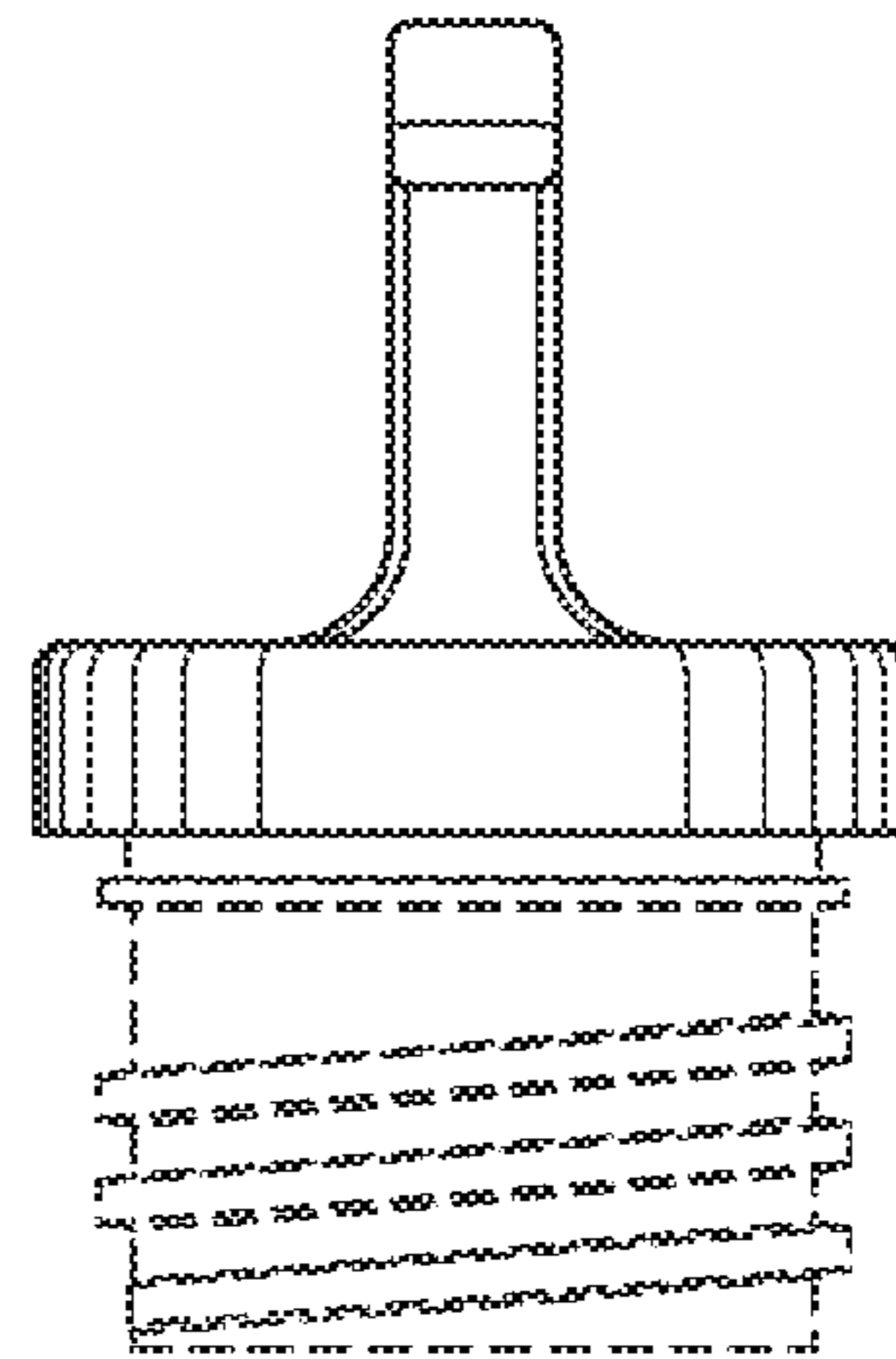


Fig. 4

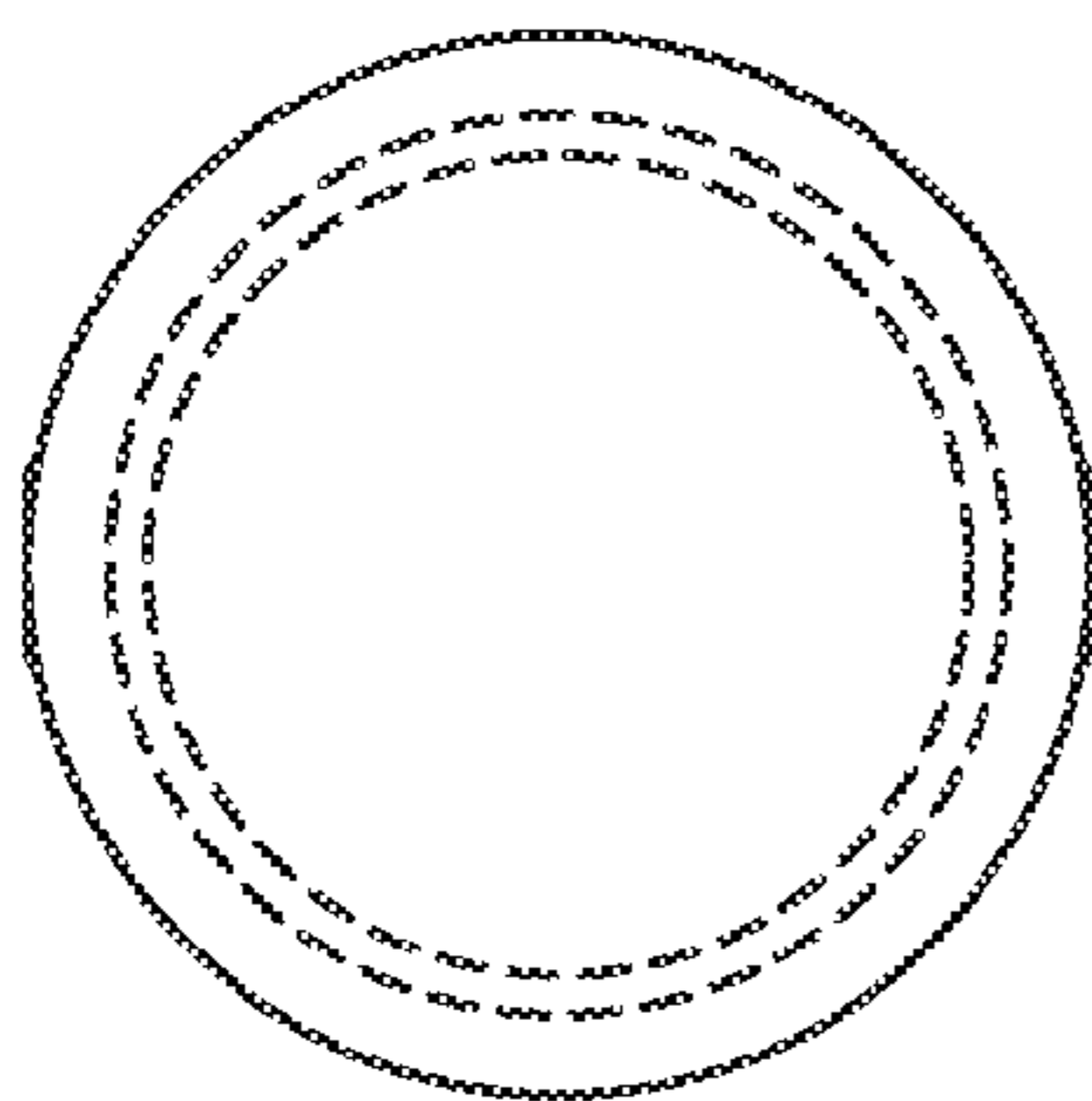


Fig. 5